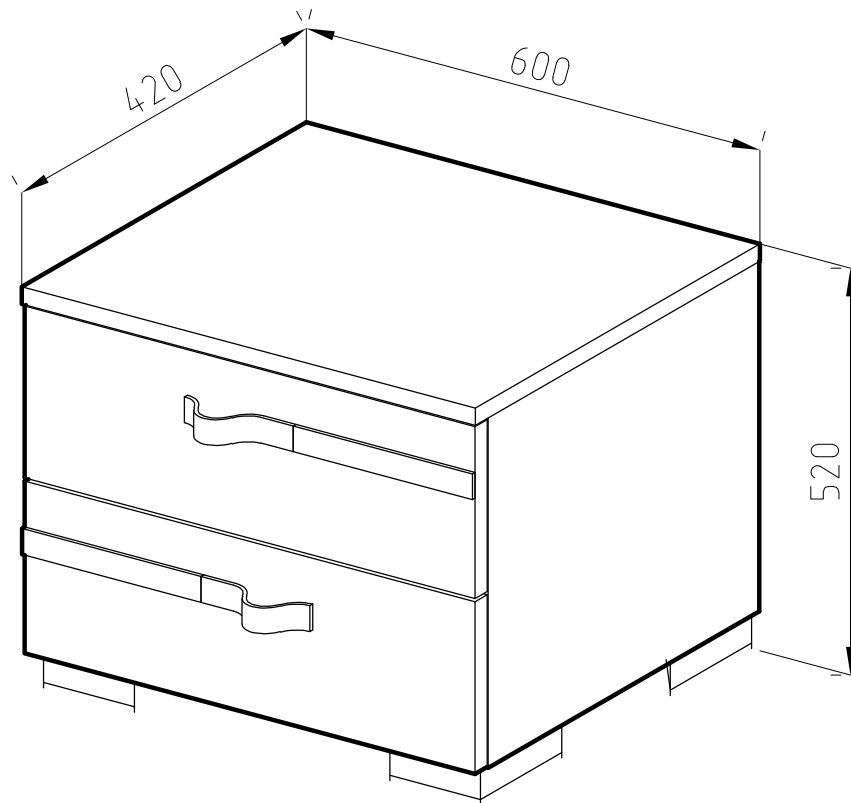
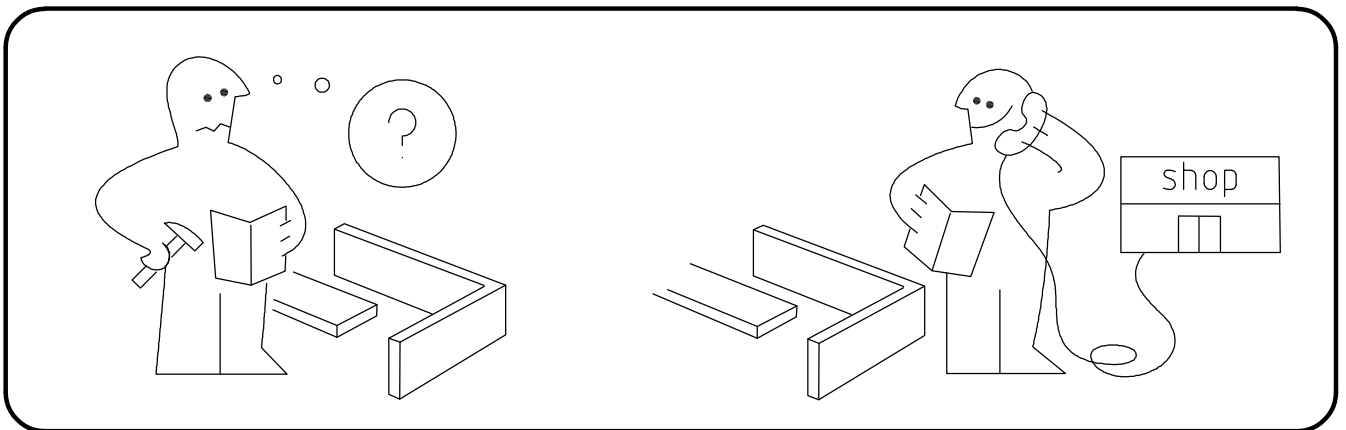
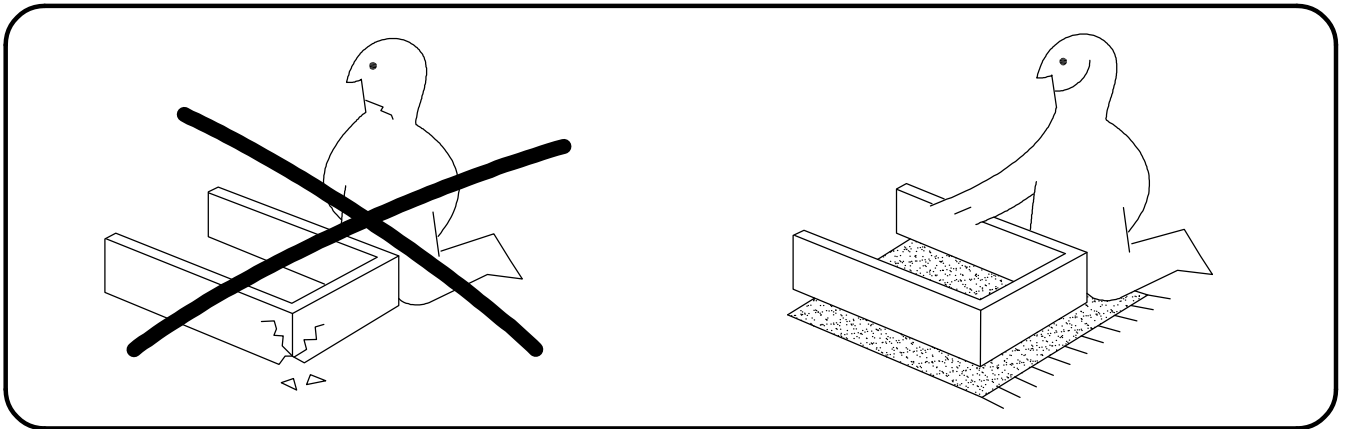
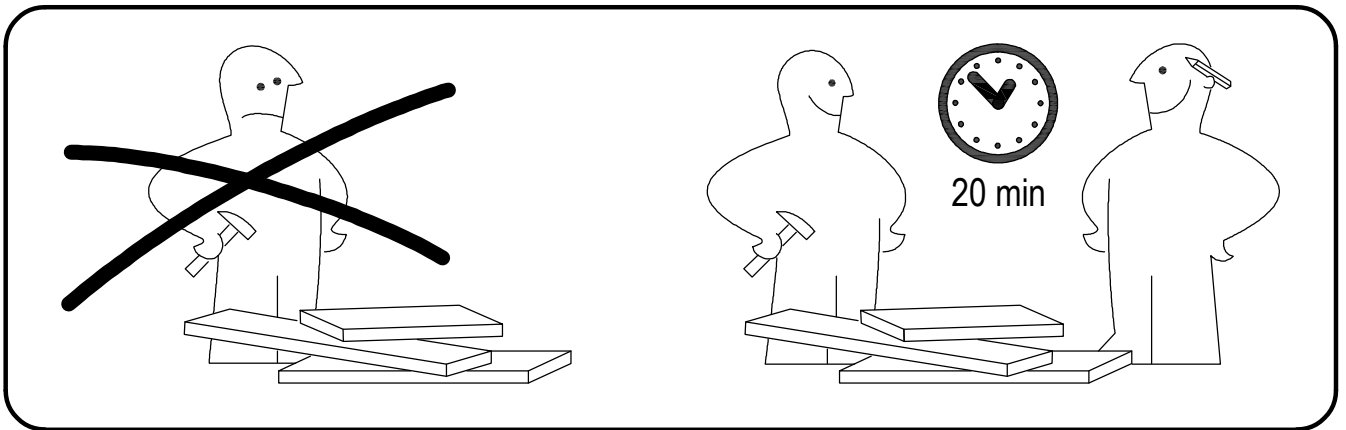
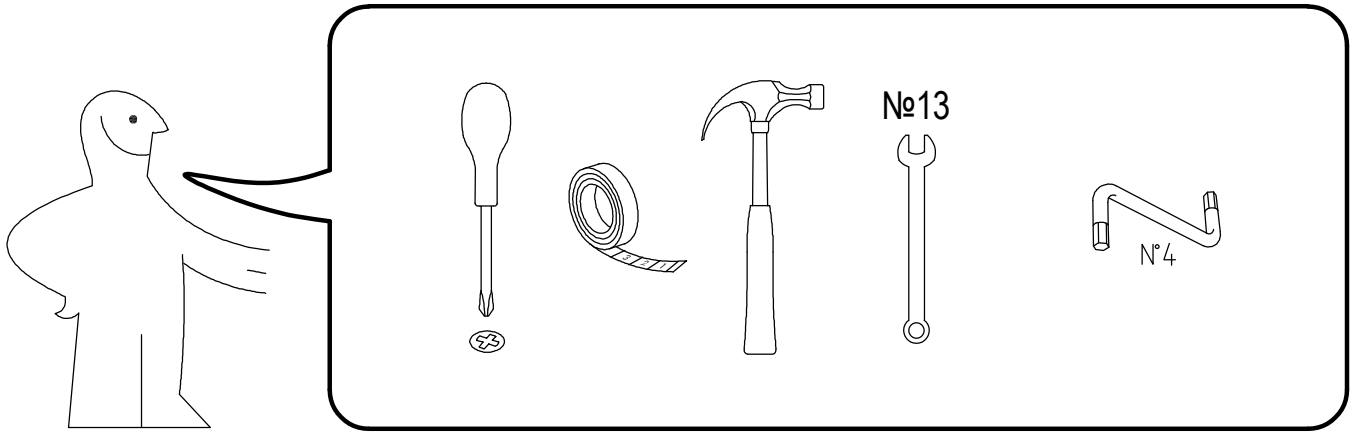








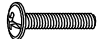


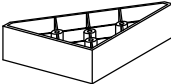
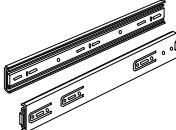

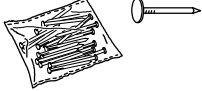


EXTAZA

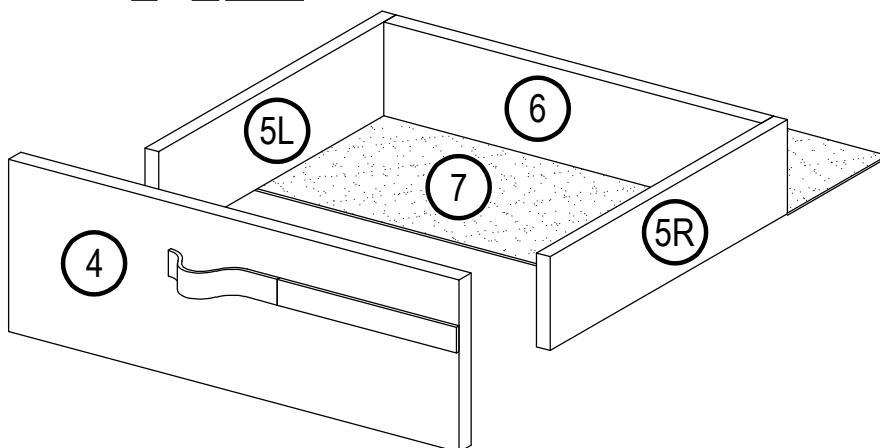
BEDSIDE CABINET



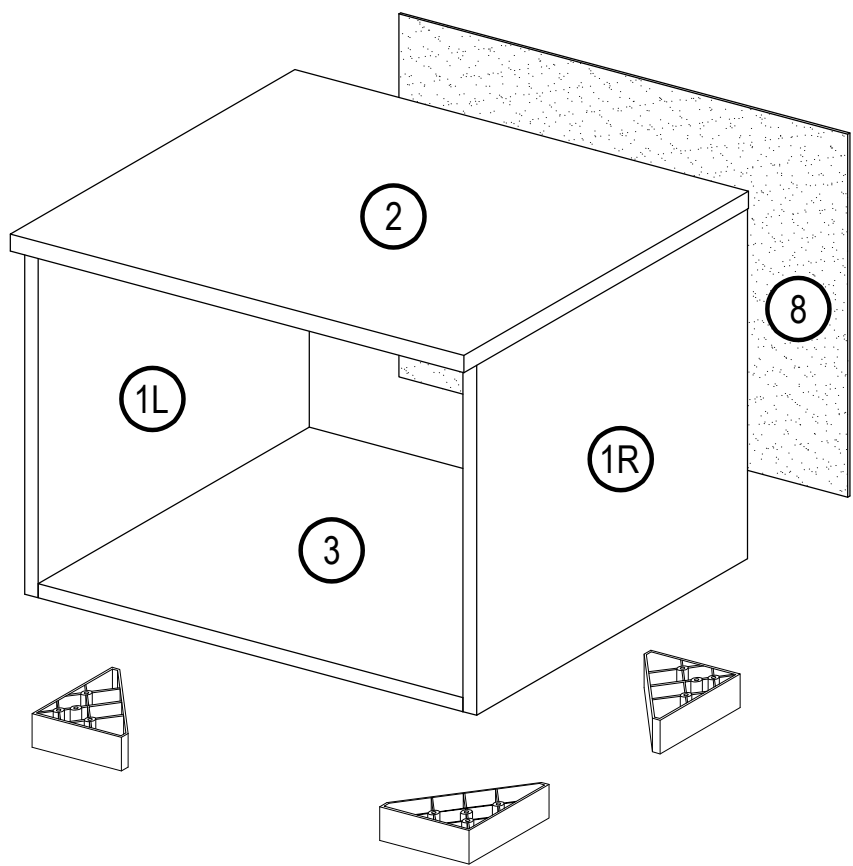


 (A1) 8*30mm x20	 (B) x4	 (B1) 6,3*50mm x4
 (C1) 43mm x12	 (D) x12	 (D1) 16mm x12
 (E5) 3,5*16mm x16	 (E11) 4*35mm x12	 (G6) M 4*25mm x4
 (H1) M 4 x4	 (I28) x2	 (K13) x4
 (M2) 350mm x2	 (R1) x1	 (R3) 1.4*25mm 0.02kg

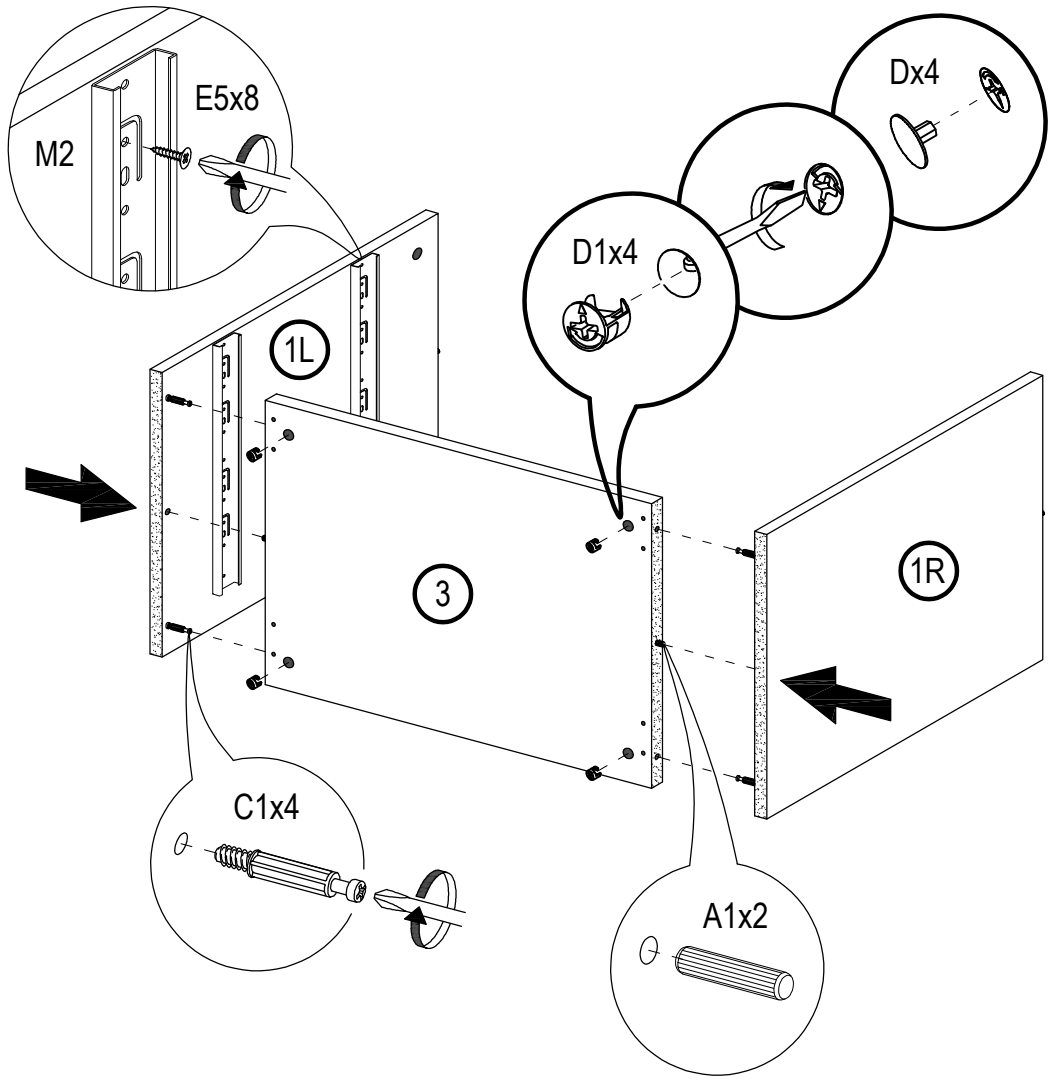
x2



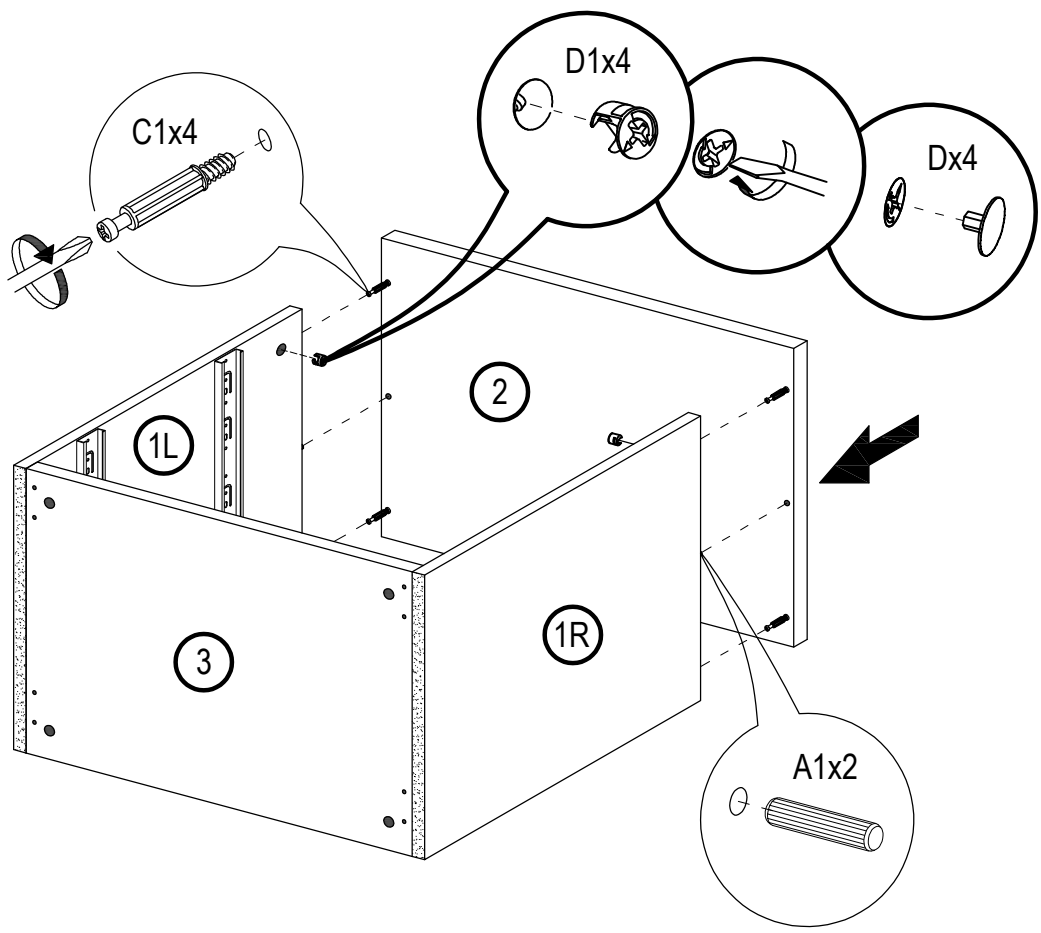
N°	a*b	x	N°	a*b	x
1L	448x400	1	5L	350x120	2
1R	448x400	1	5R	350x120	2
2	600x420	1	6	500x120	2
3	562x400	1	7	534x353	2
4	596x220	2	8	594x464	1



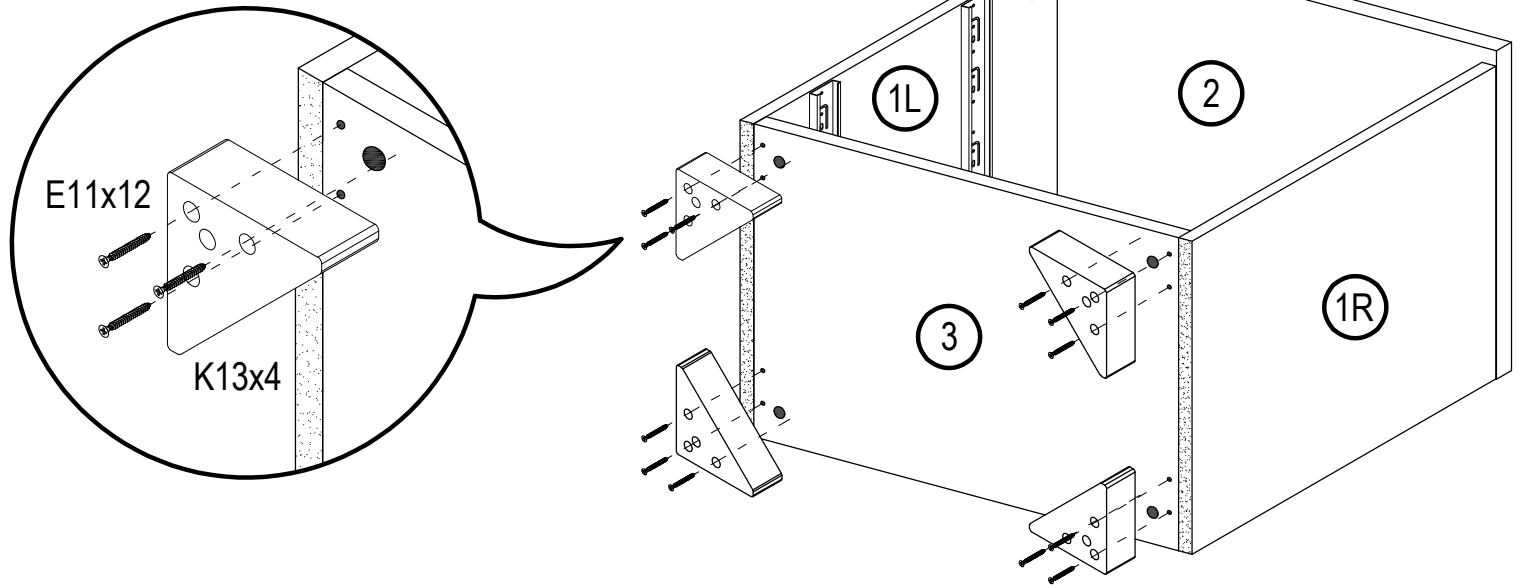
1



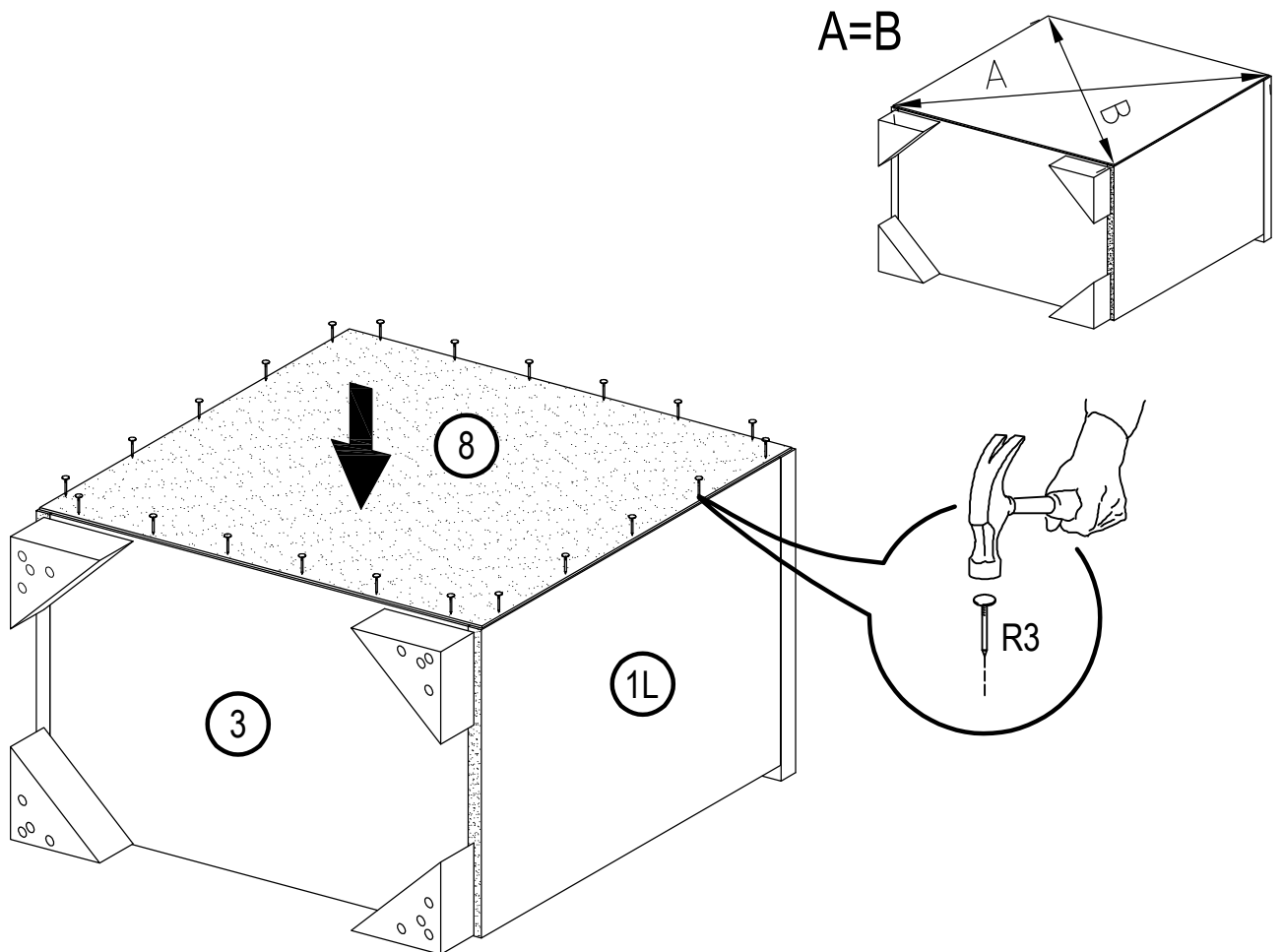
2



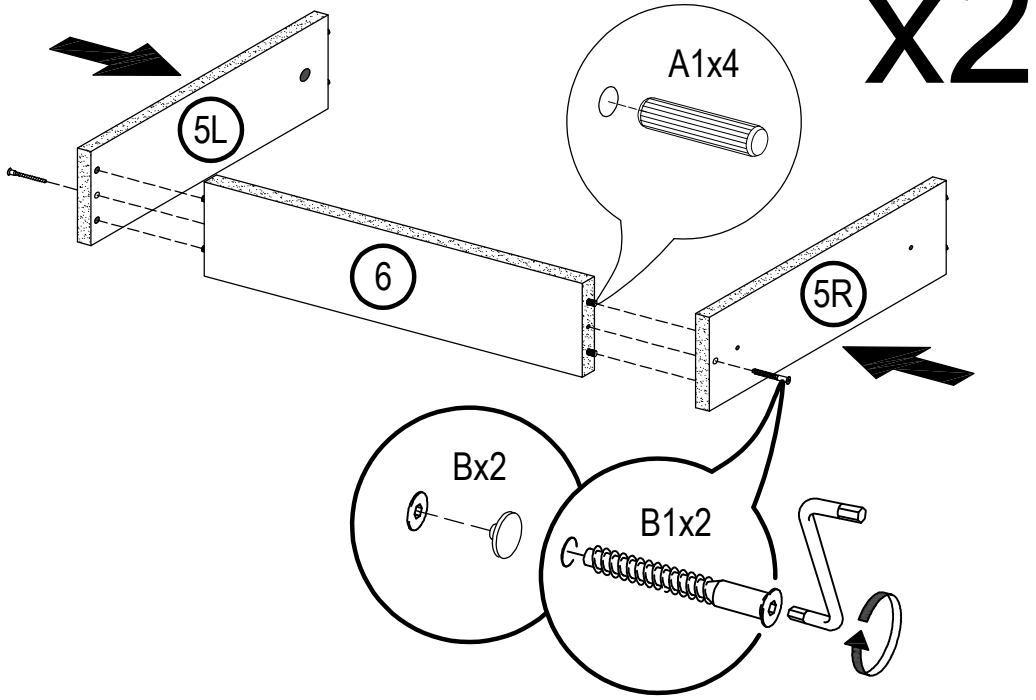
3



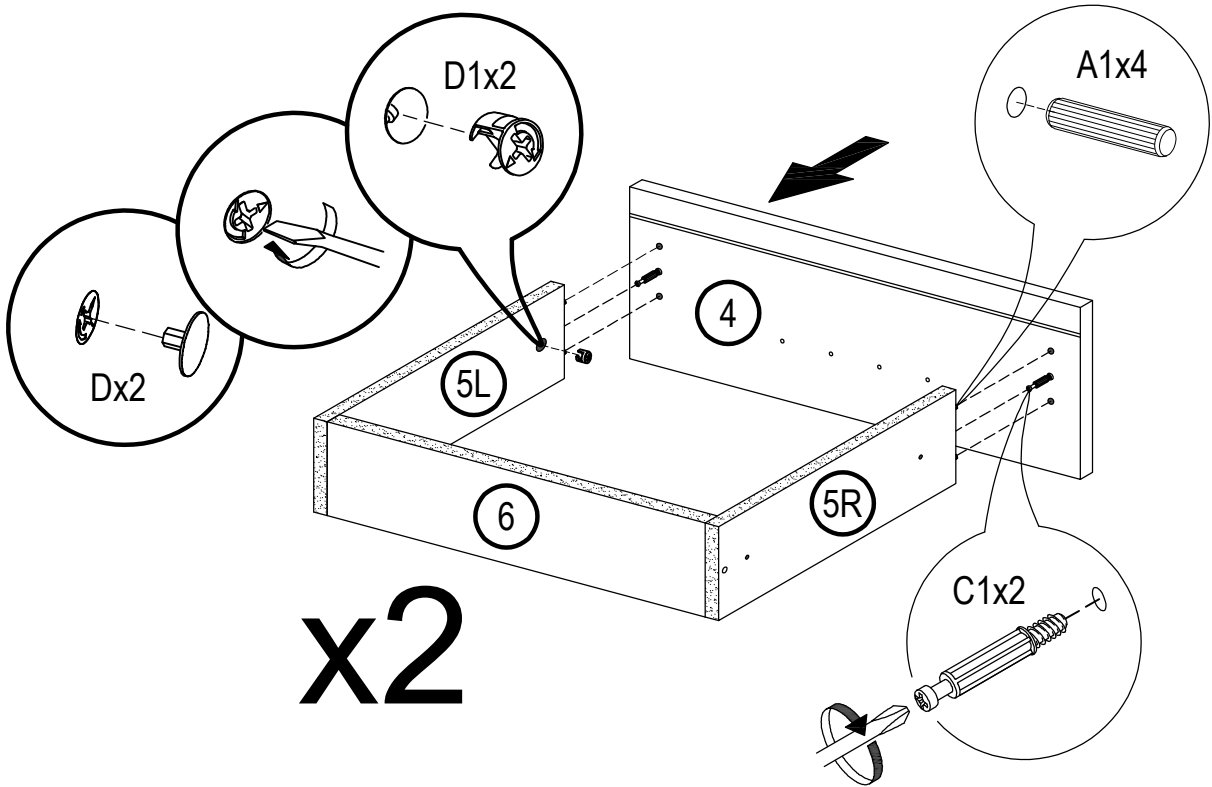
4



5

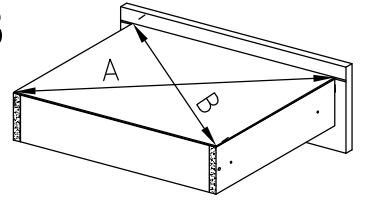


6

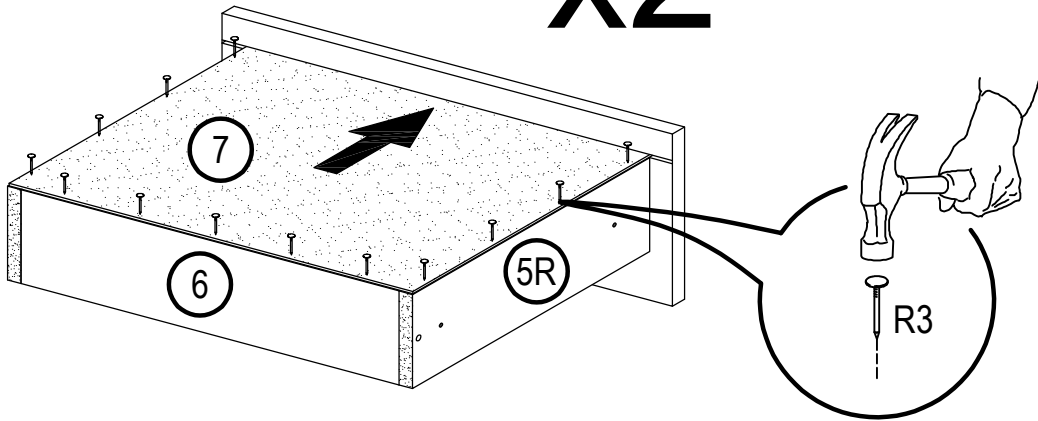


7

A=B

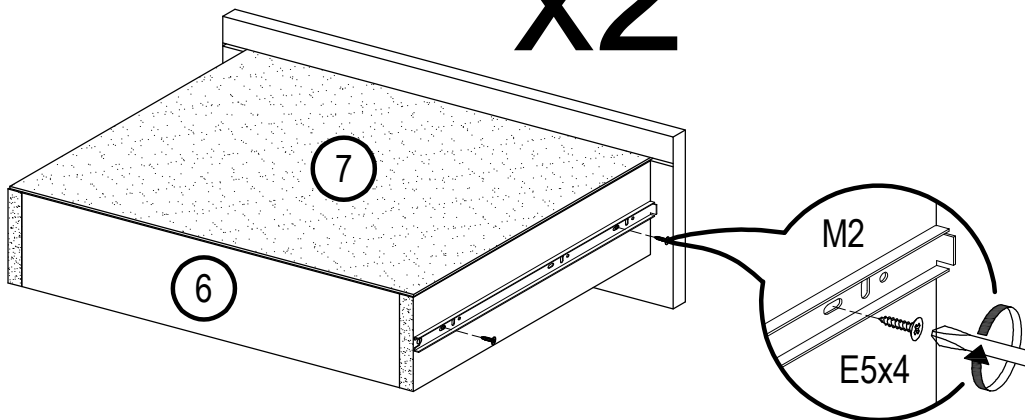


x2

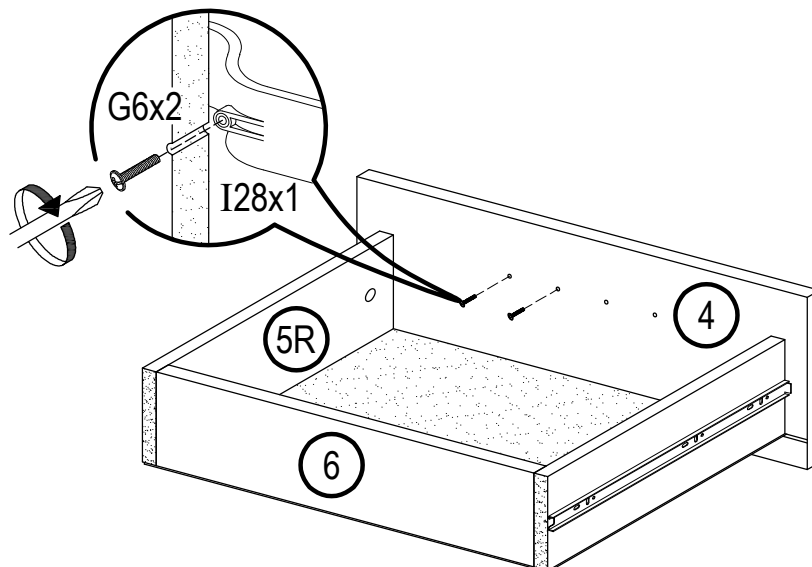


8

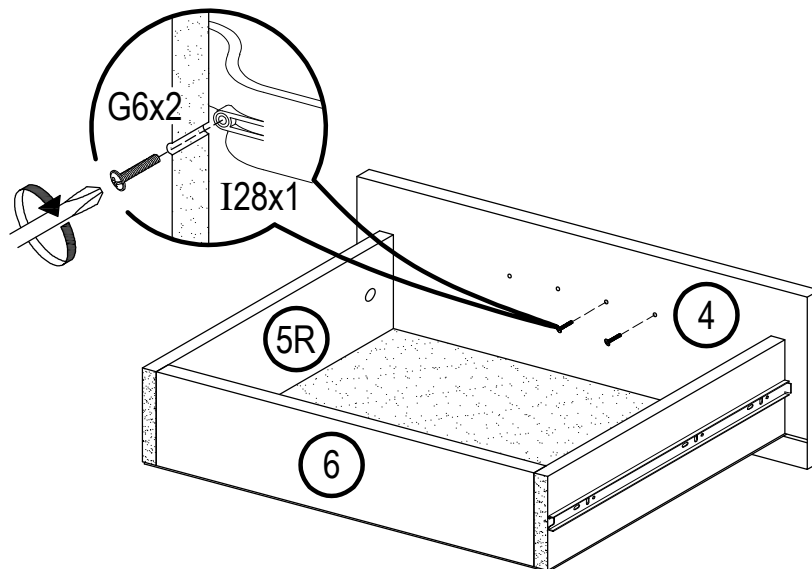
x2



9



10



11

