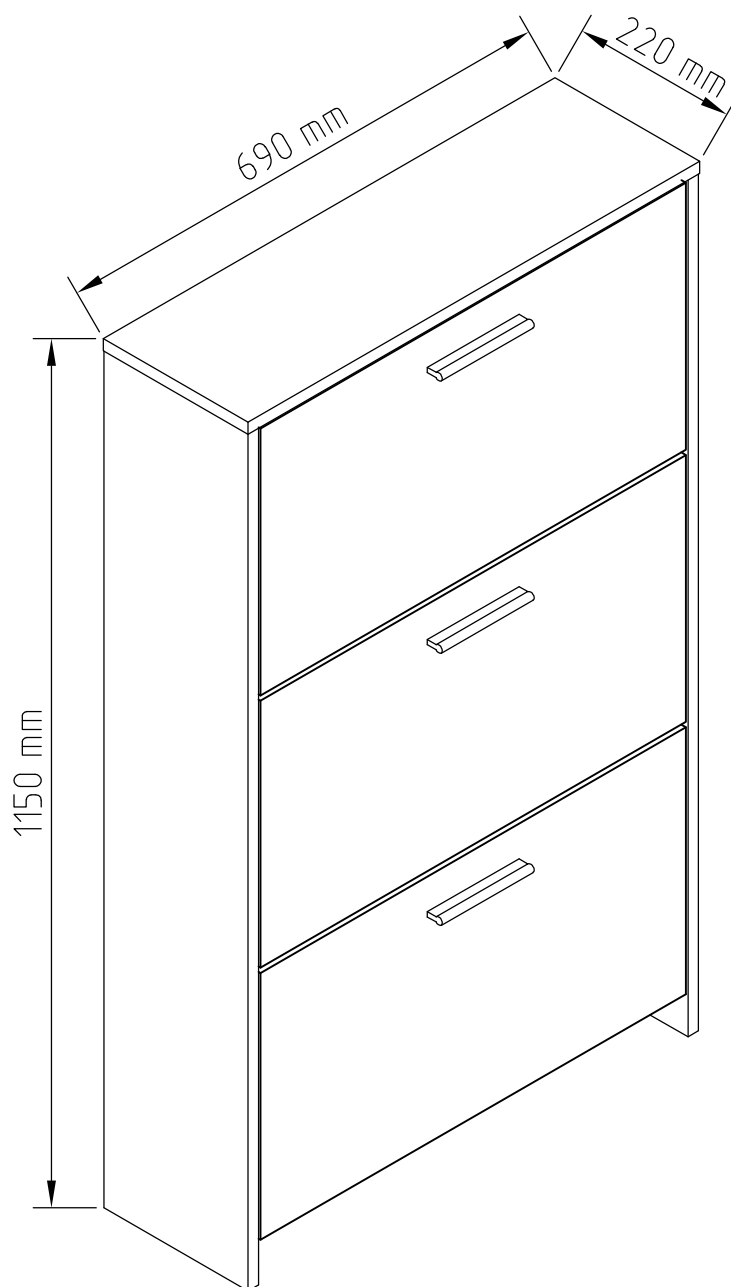
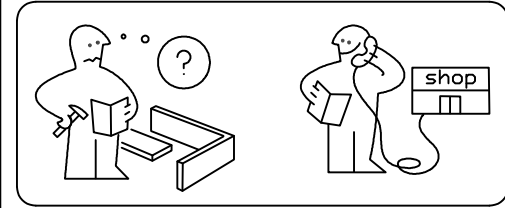
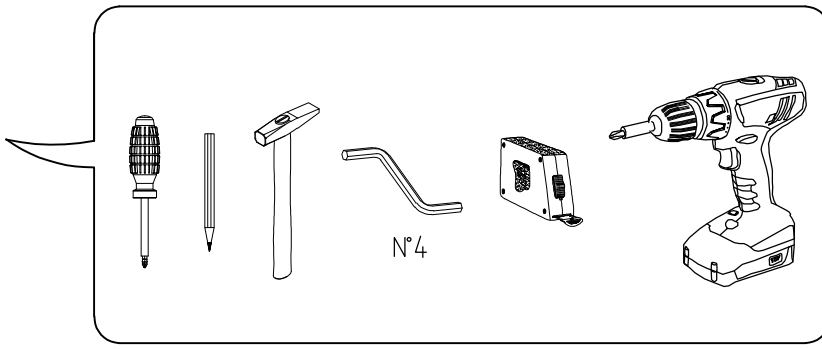
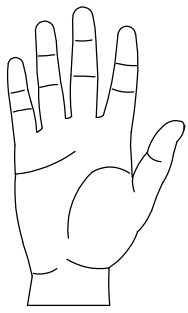
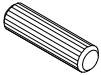
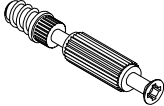


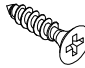
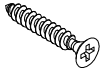

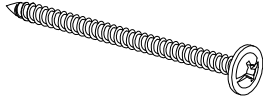


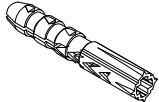
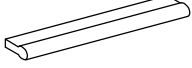

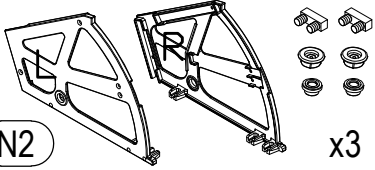
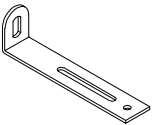


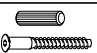
Рене / Rene

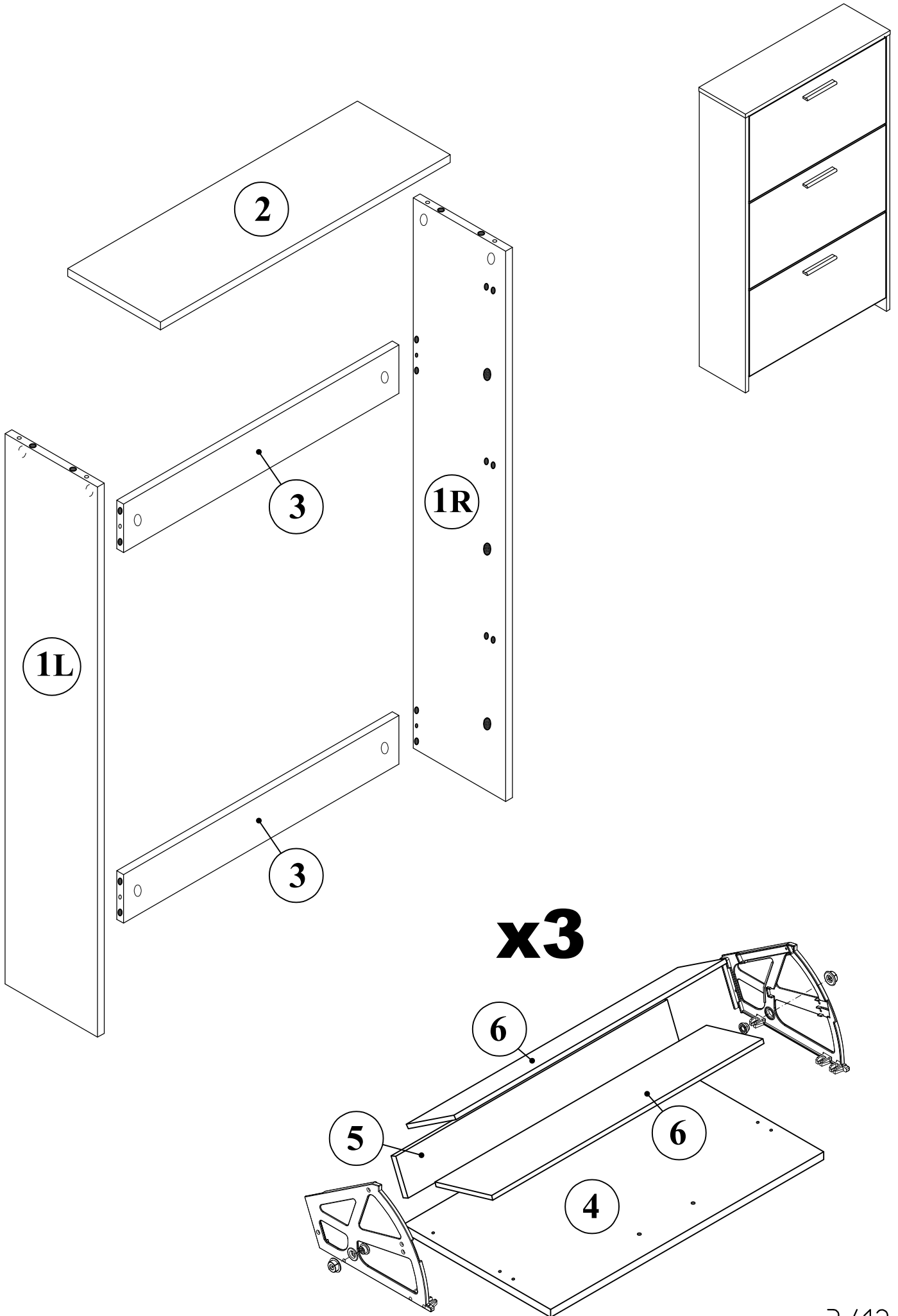
**тумба для взуття 3Д /
shoes closet 3D**

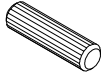
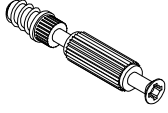
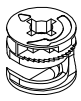
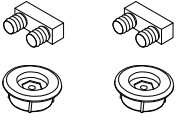




 A1 8*30mm x12	 C1 6*43mm x8	 D ϕ 20mm x8
 D1 15/16 x8	 E6 3,5*16mm x18	 E14 4*25mm x6
 E-2 4,2*16mm x2	 E-5 4,2*65mm x1	 F3 5,0*13mm x6
 F4 6,3*13mm x18	 H5 8*50mm x1	 I9 x3
 K1 x4	 N2 x3	 S16 260.54.900 x1

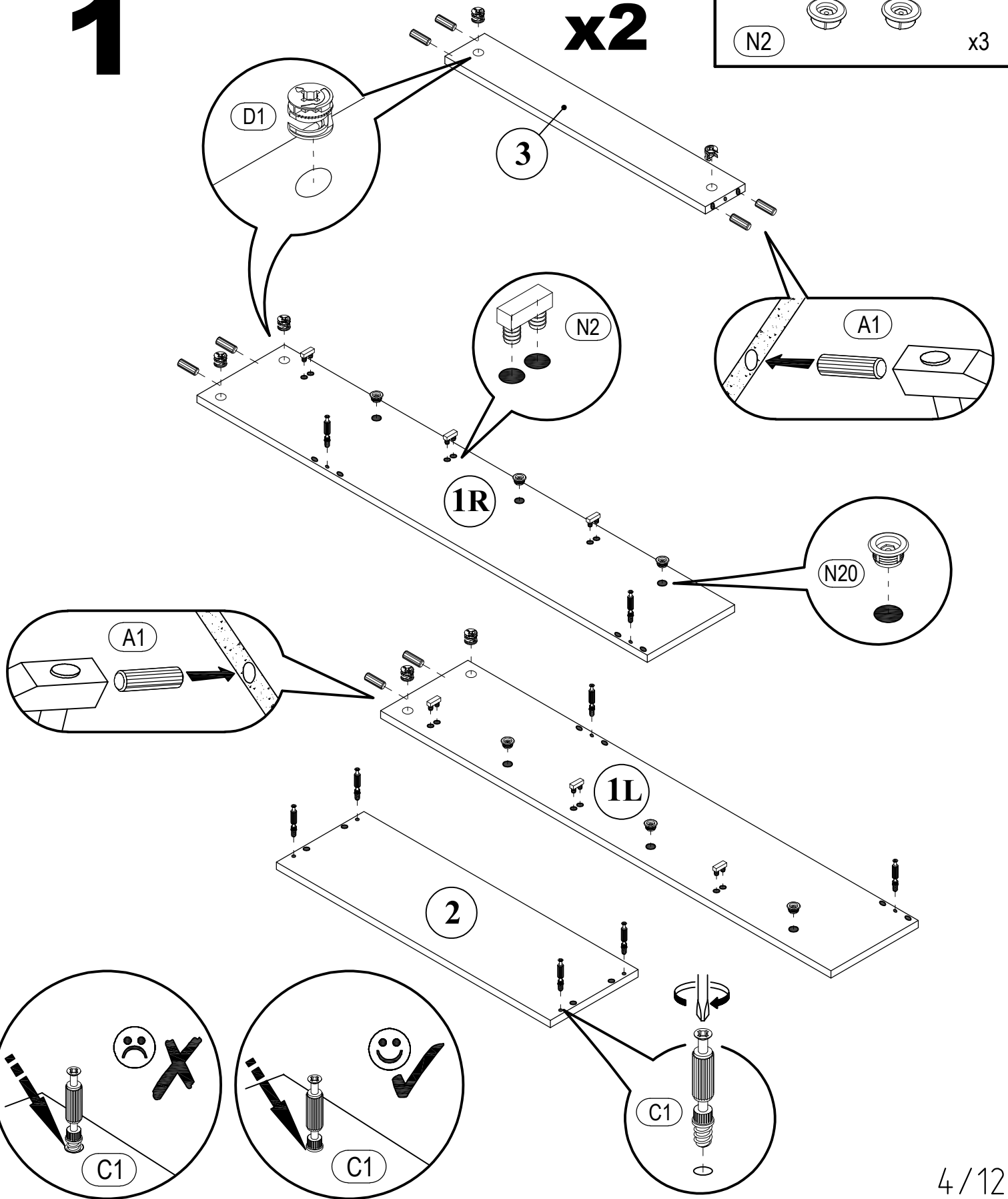
No	a*b	x	N°→...
1L	1134x220	x1	1/2
1R	1134x220	x1	1/2
2	690x221	x1	1/2
3	656x100	x2	1/2
4	650x351	x3	2/2
5	642x90	x3	2/2
6	642x142	x6	2/2
		x1	2/2



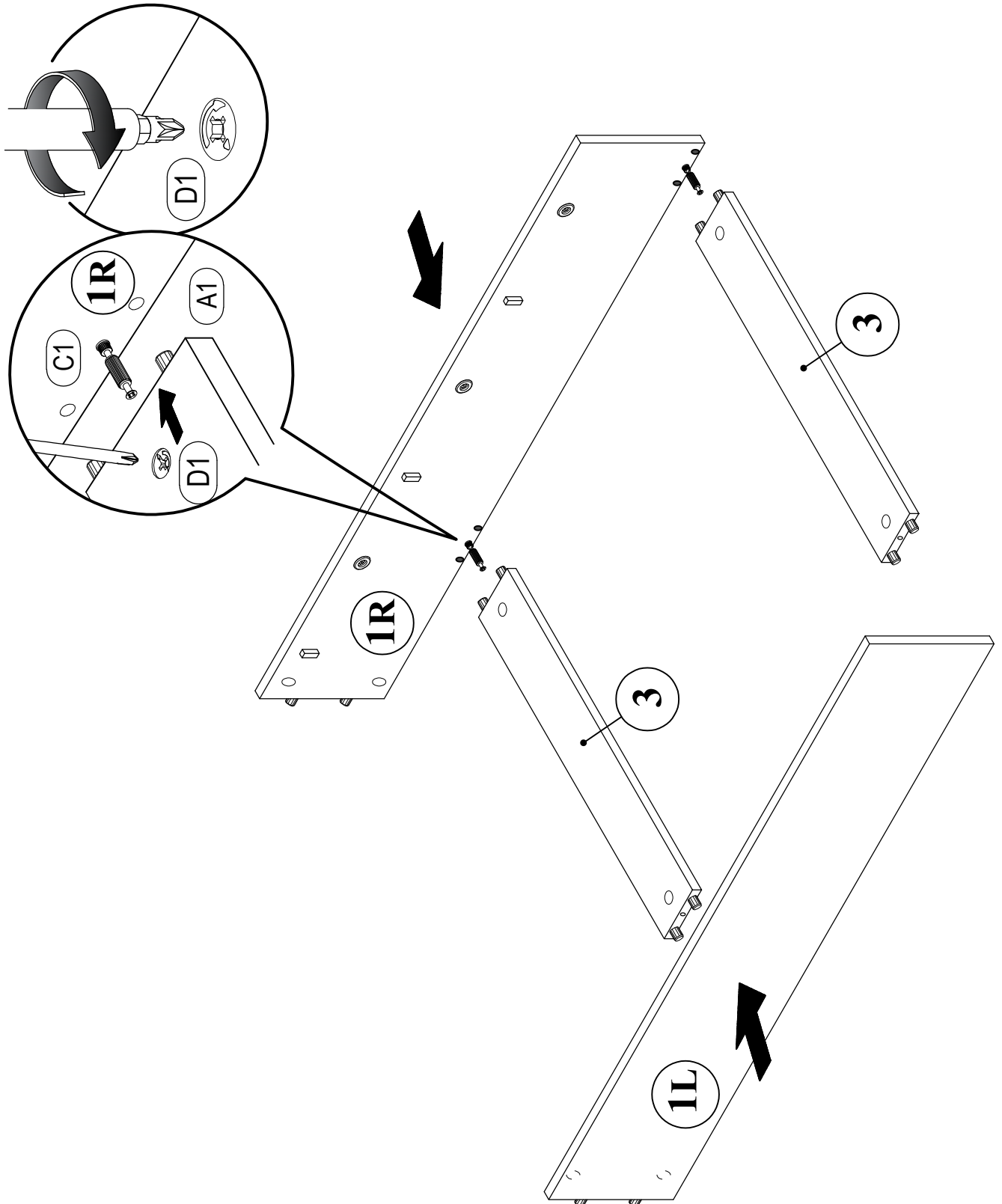
 (A1) 8*30mm x12	 (C1) 6*43mm x8	 (D1) 15/16 x8
		 (N2) x3

1

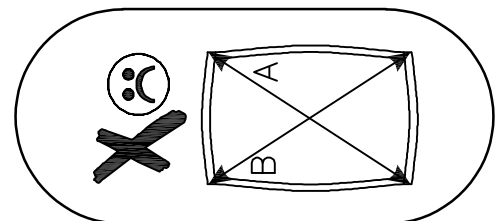
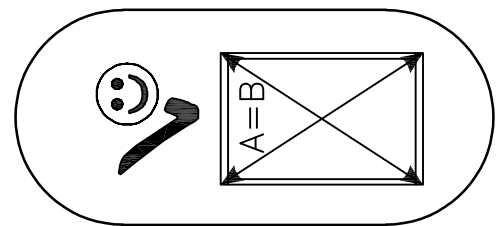
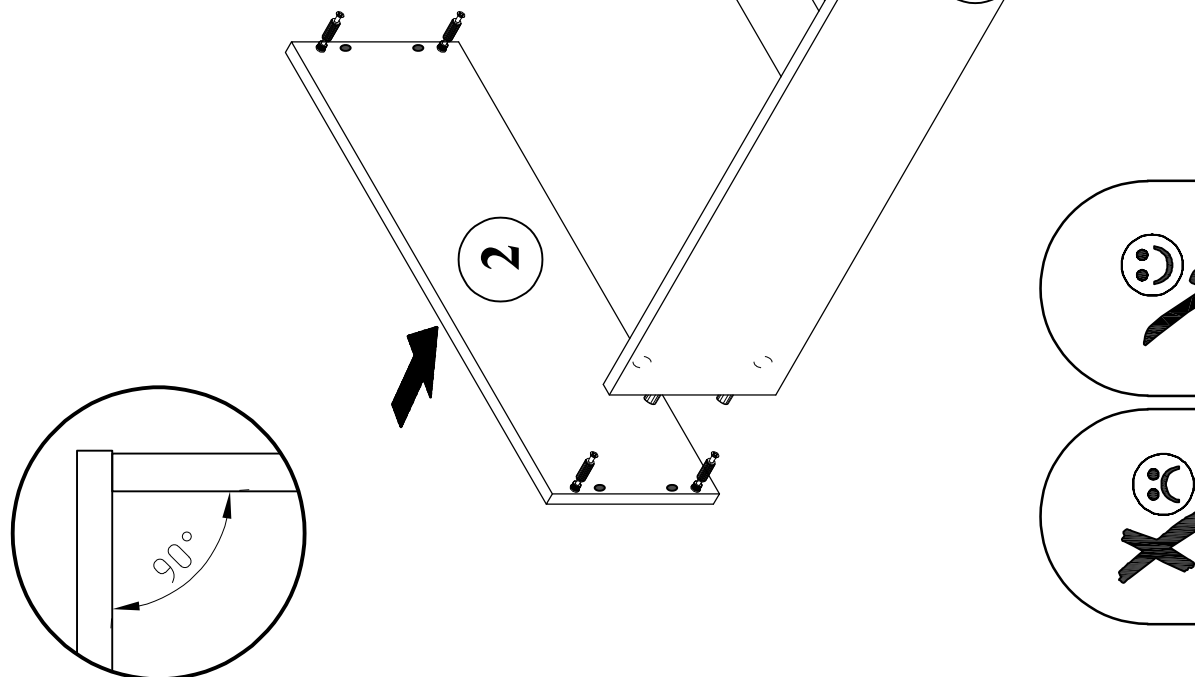
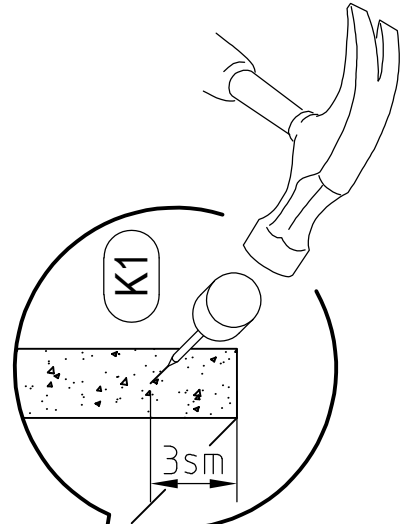
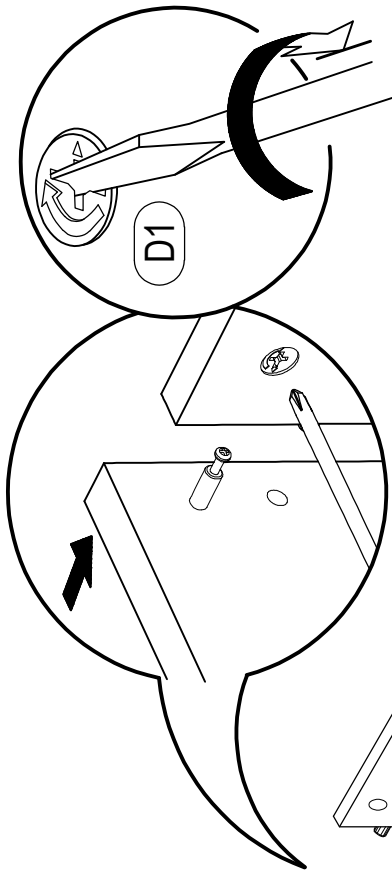
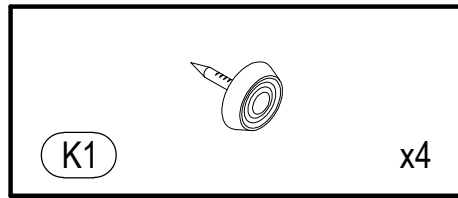
x2


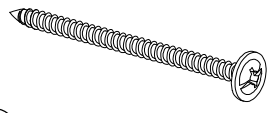
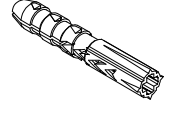

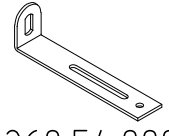


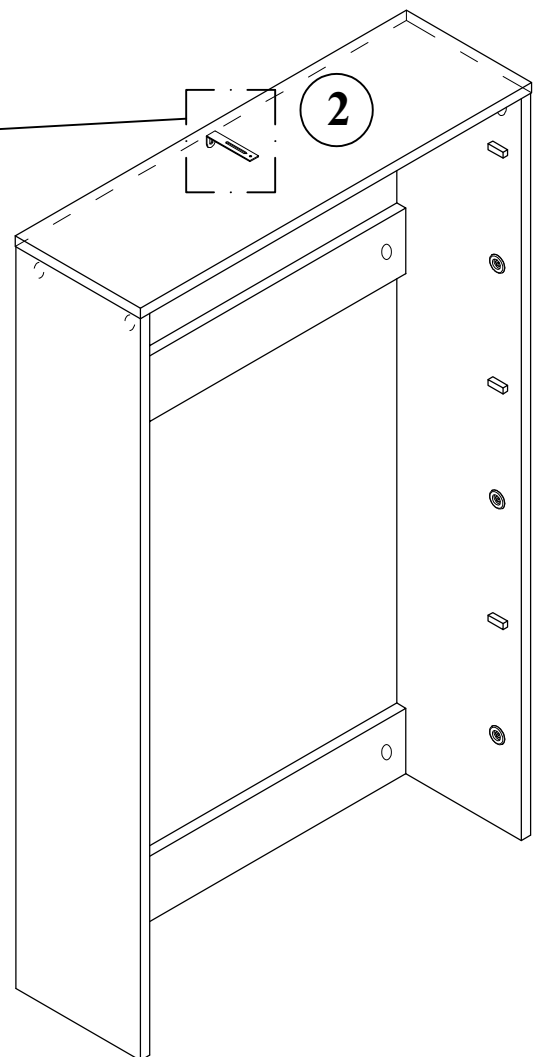
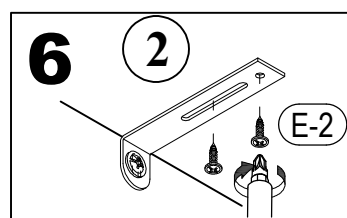
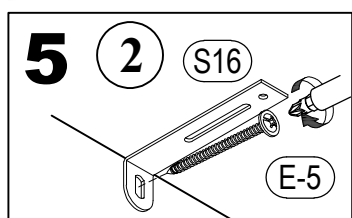
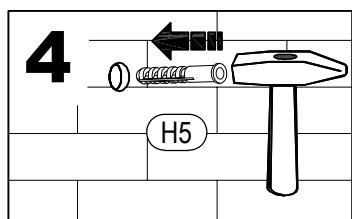
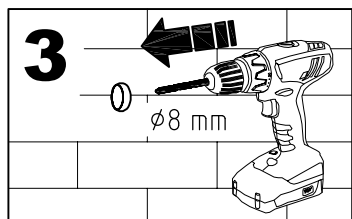
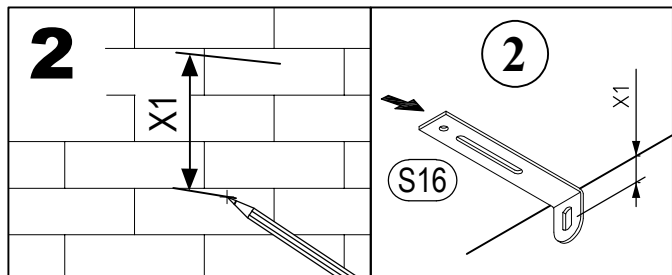
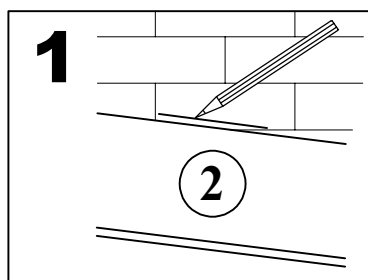
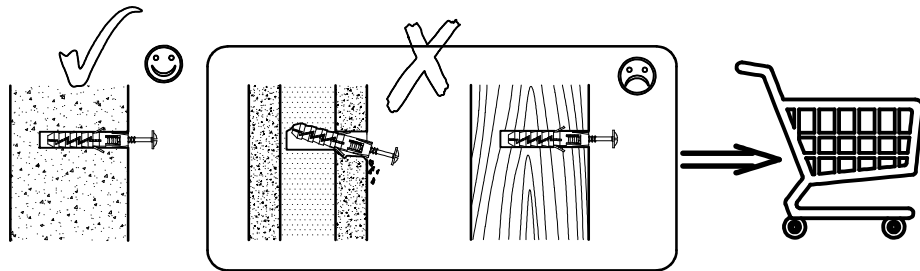
2

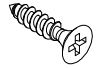


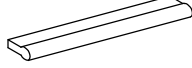
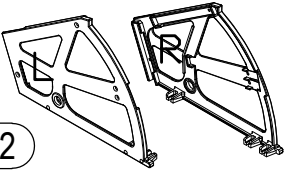


3



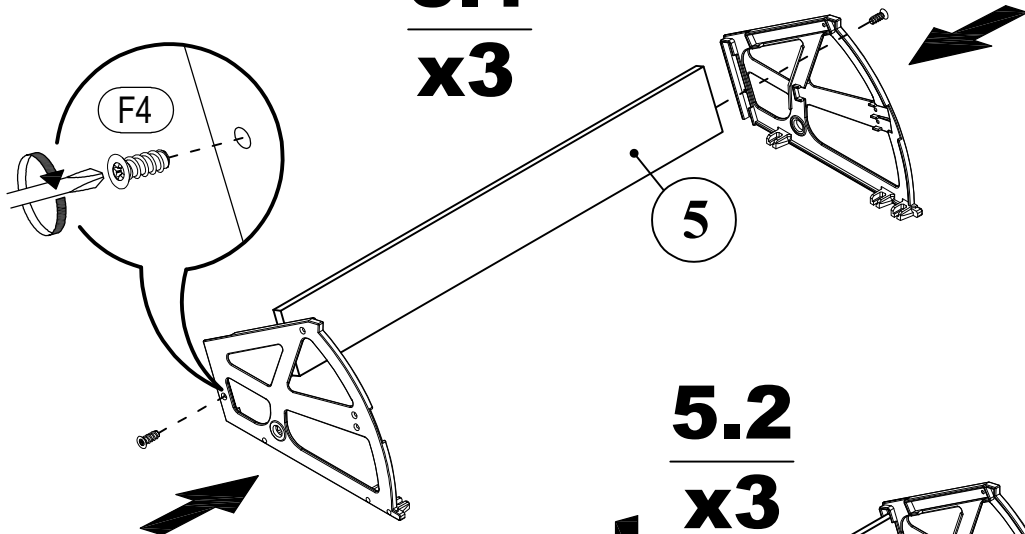
 (E-2) 4,2*16mm x2	 (E-5) 4,2*65mm x1	 (H5) 8*50mm x1
<h1>4</h1> 		 (S16) 260.54.900 x1



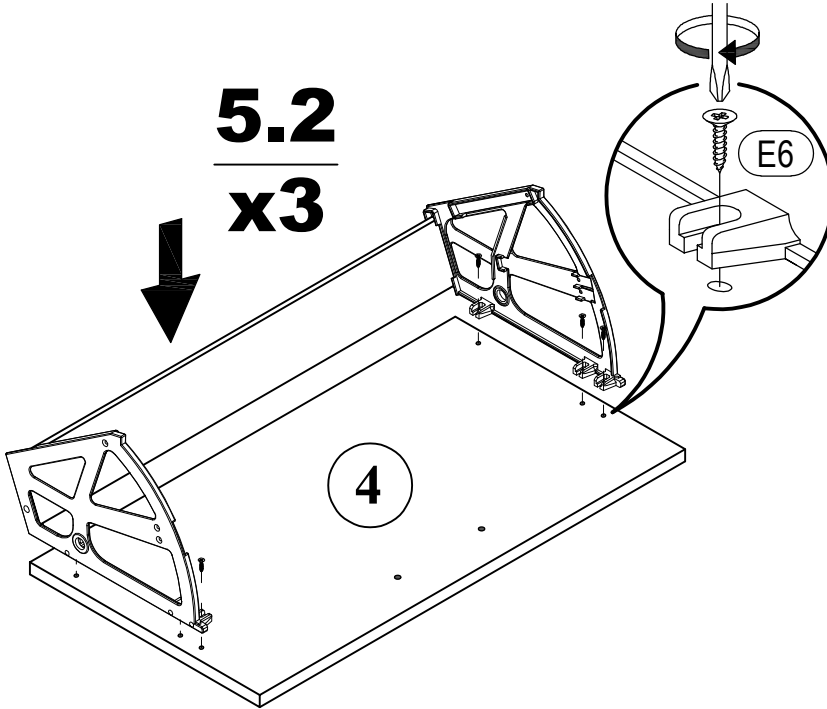
 E6 3,5*16mm x18	 E14 4*25mm x6	 F4 6,3*13mm x12
5	 I9 x3	 N2 x3

5

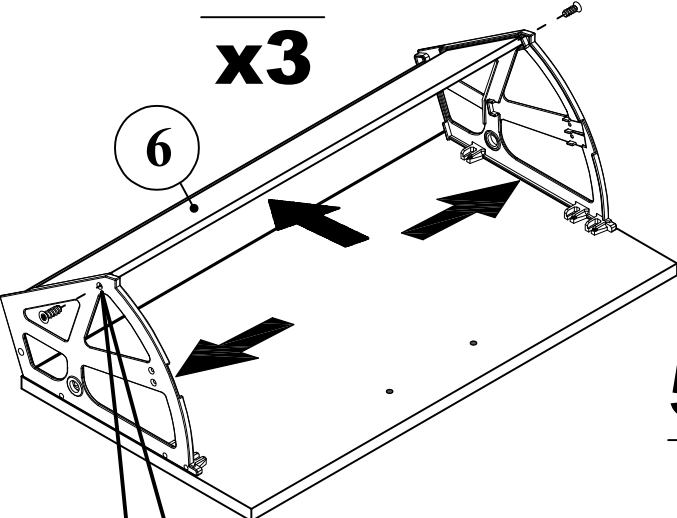
5.1 x3



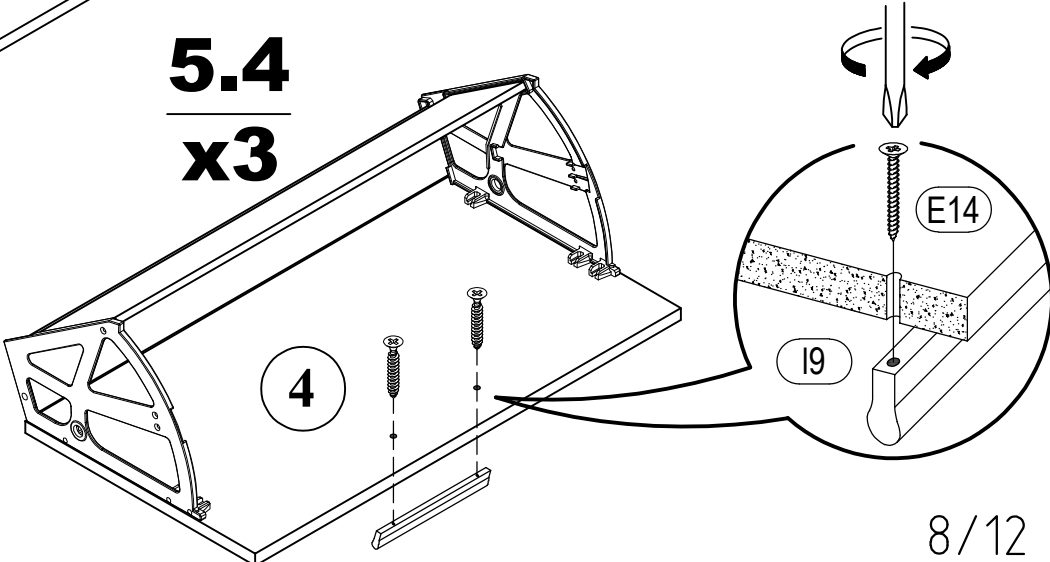
5.2 x3





5.3 x3

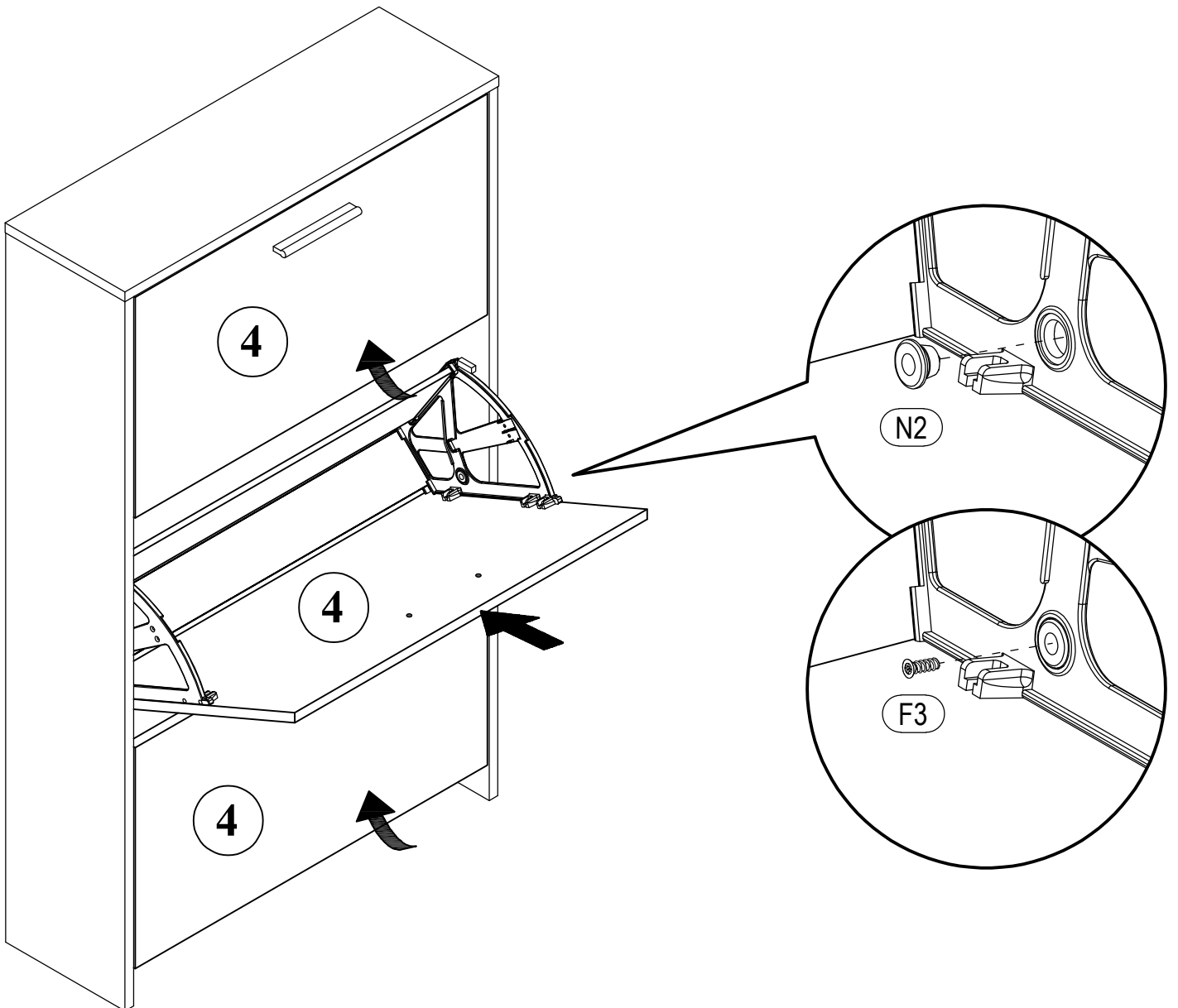




5.4 x3



6

 F3 5,0*13mm x6	 N2 x3
--	---



	
D $\phi 20\text{mm}$ x8	F4 6,3*13mm x18

7

