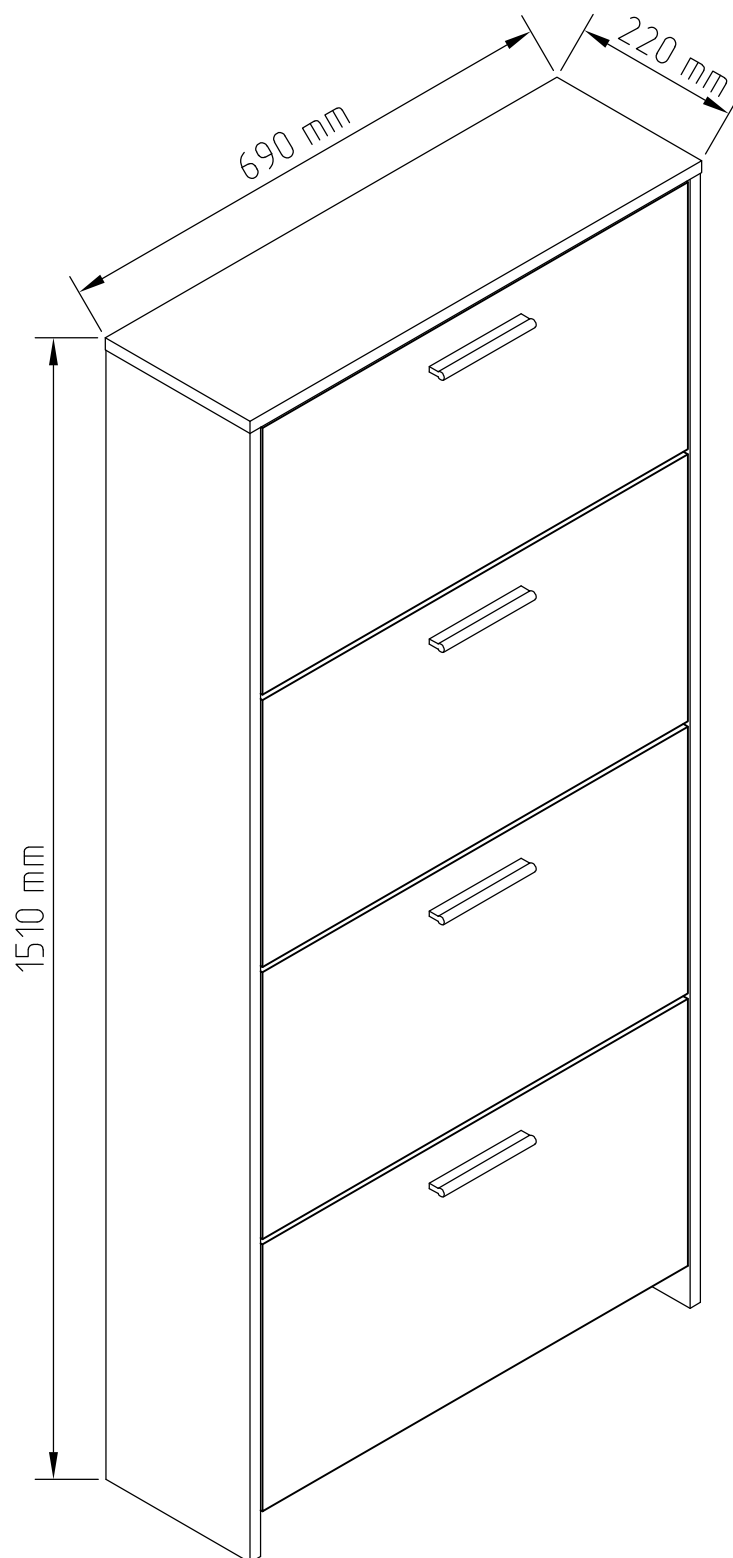
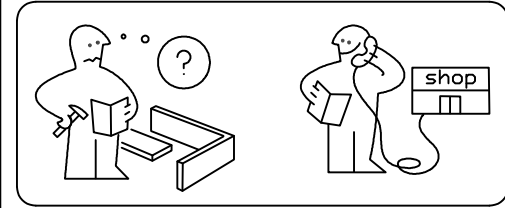
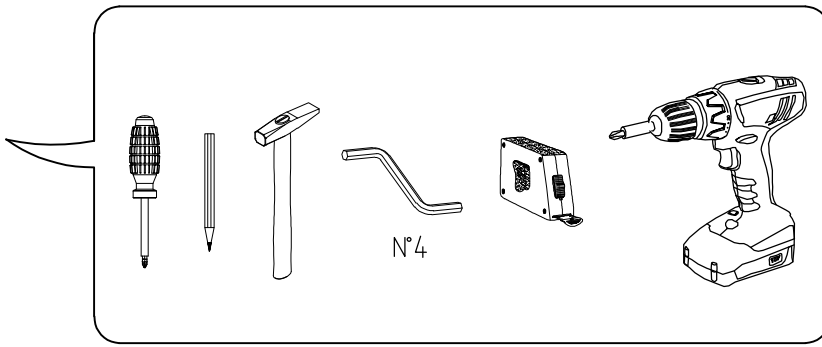
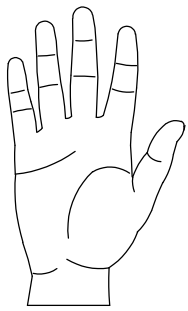
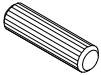
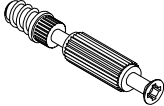


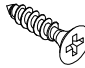
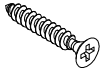

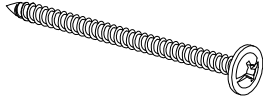


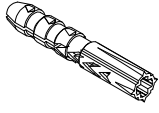
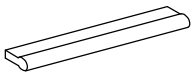

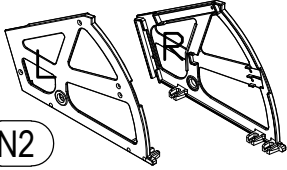
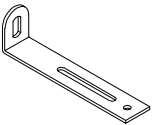


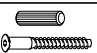
# Рене / Rene

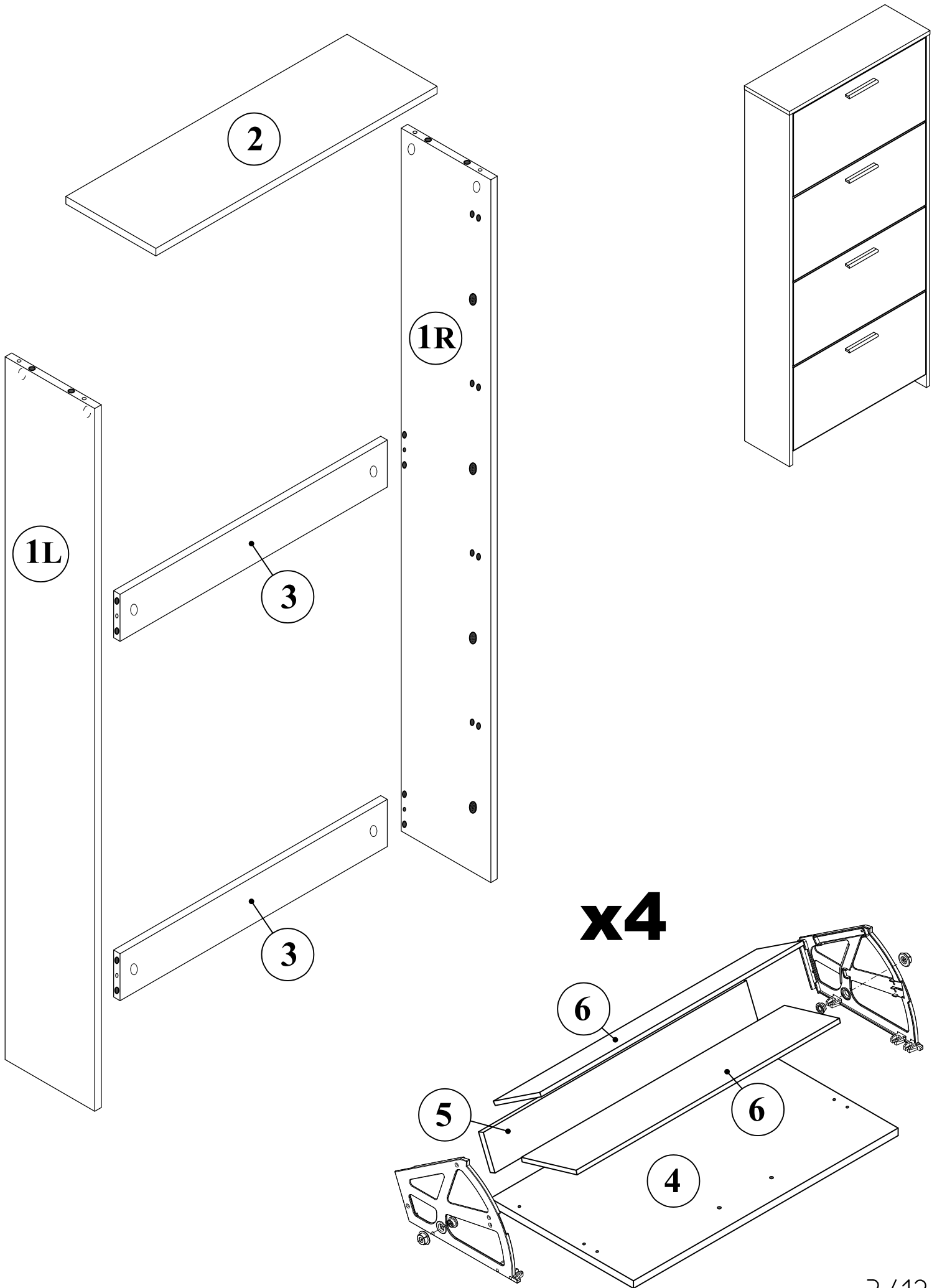
## тумба для взуття 4Д / shoes closet 4D



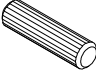
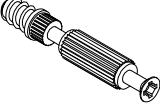



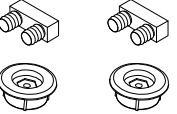
 <b>A1</b> 8*30mm x12	 <b>C1</b> 6*43mm x8	 <b>D</b> $\phi$ 20mm x8
 <b>D1</b> 15/16 x8	 <b>E6</b> 3,5*16mm x24	 <b>E14</b> 4*25mm x8
 <b>E-2</b> 4,2*16mm x2	 <b>E-5</b> 4,2*65mm x1	 <b>F3</b> 5,0*13mm x8
 <b>F4</b> 6,3*13mm x24	 <b>H5</b> 8*50mm x1	 <b>I9</b> x4
 <b>K1</b> x4	 <b>N2</b> x4	 <b>S16</b> 260.54.900 x1

№	a*b	x	№→...
1L	1494x220	x1	1/2
1R	1494x220	x1	1/2
2	690x221	x1	1/2
3	656x100	x2	1/2
4	650x351	x4	2/2
5	642x90	x4	2/2
6	642x142	x8	2/2
		x1	2/2



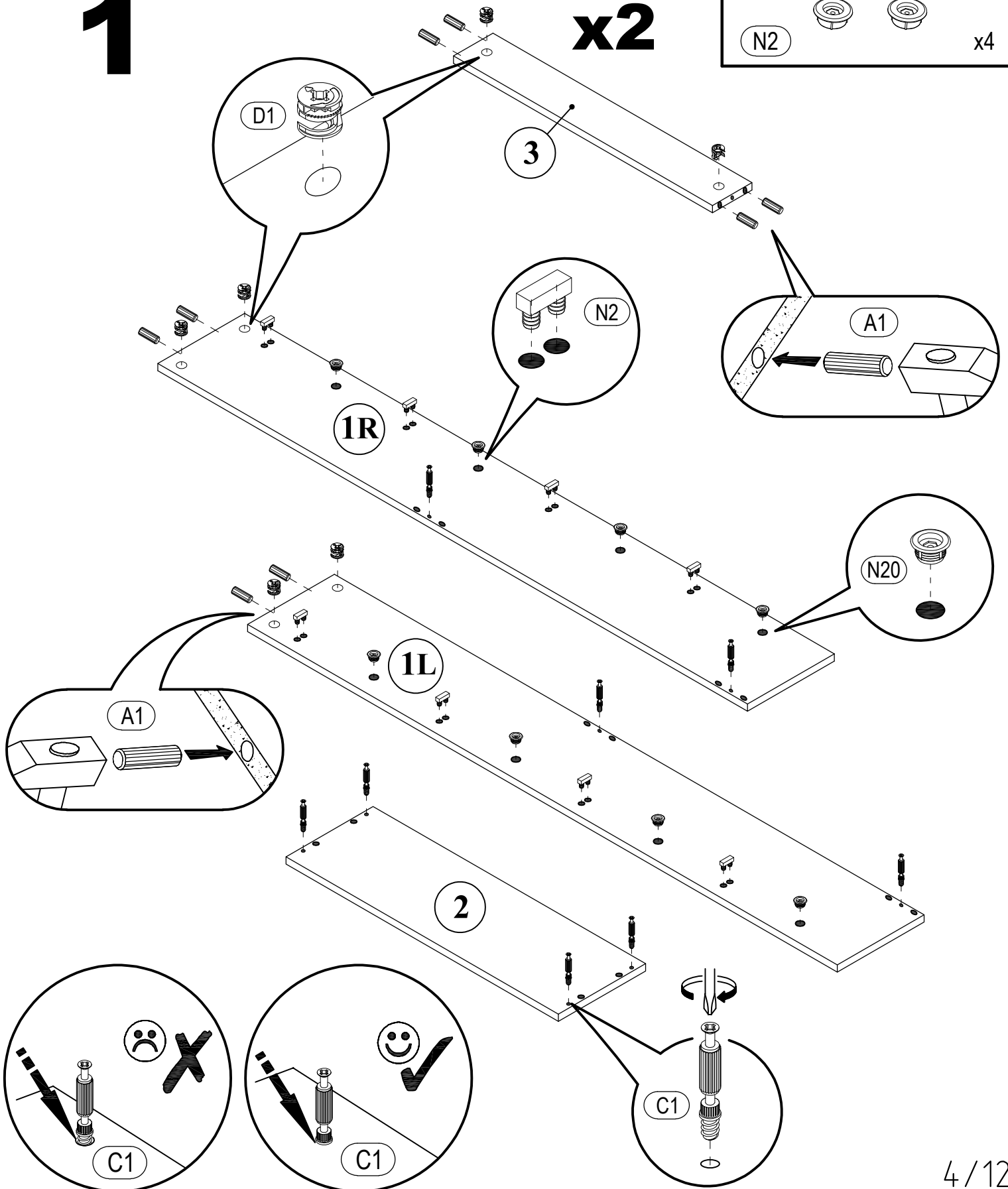
# Zapatos (2) 4D

 A1 8*30mm x12	 C1 6*43mm x8	 D1 15/16 x8
--	---	--

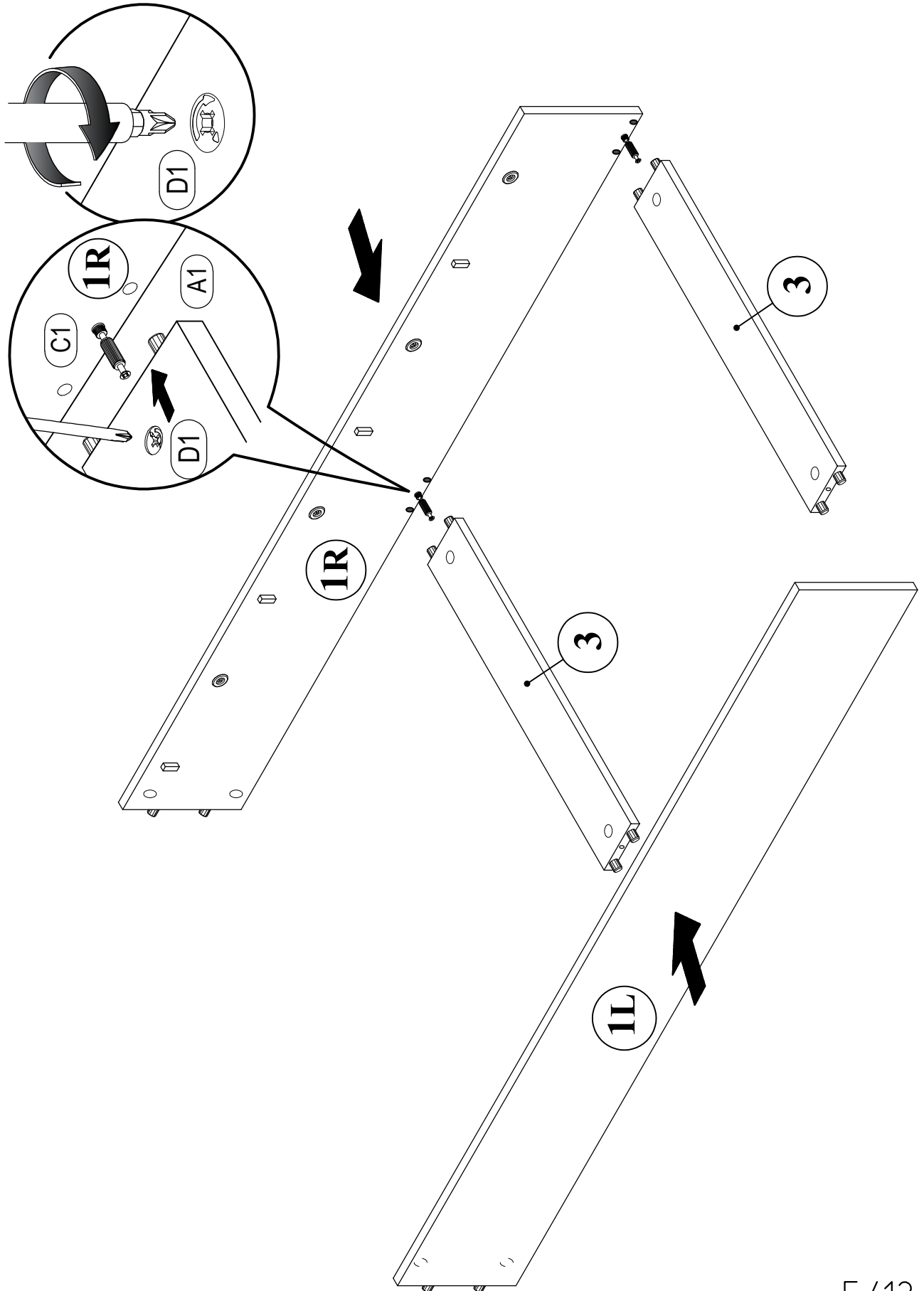
 N2 x4
--

# 1

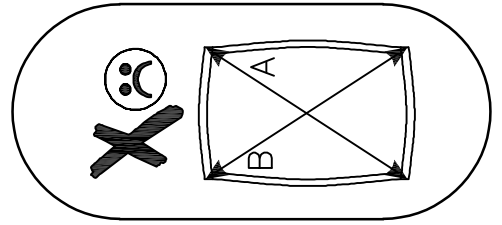
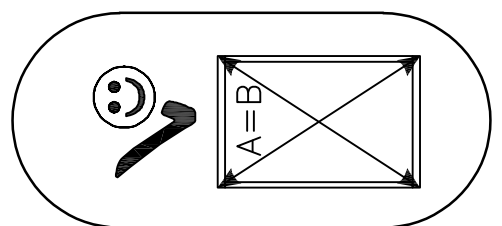
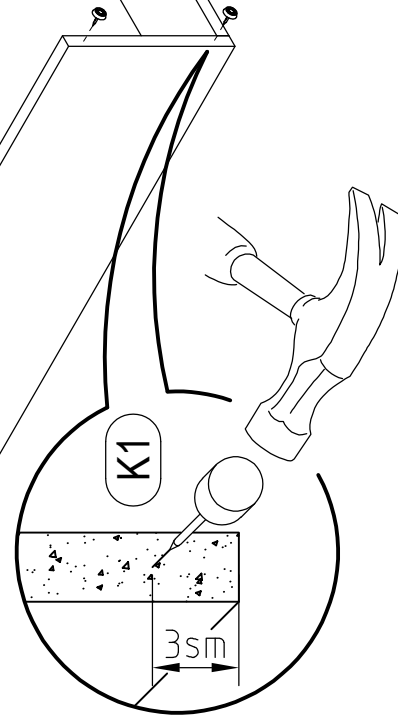
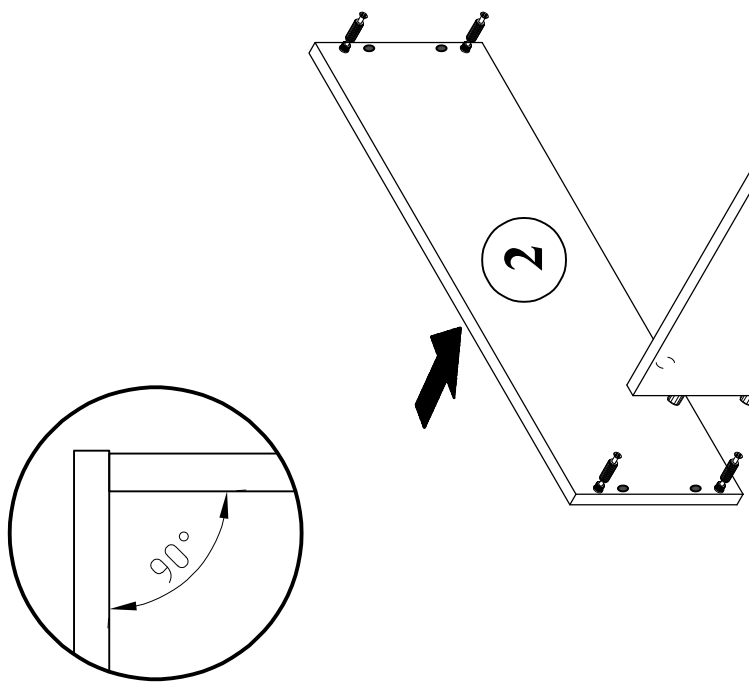
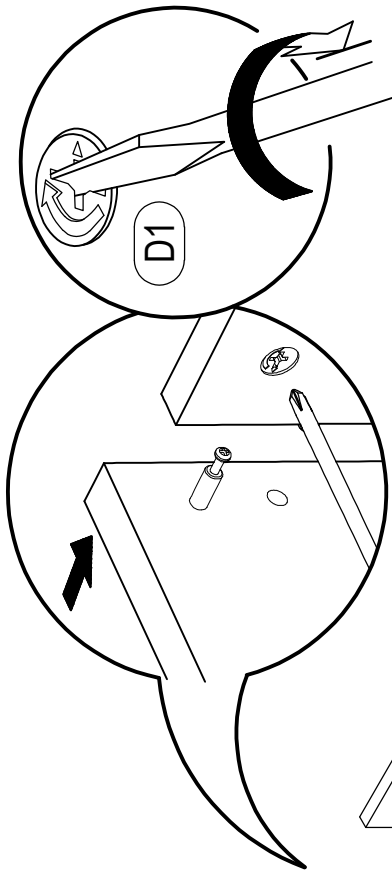
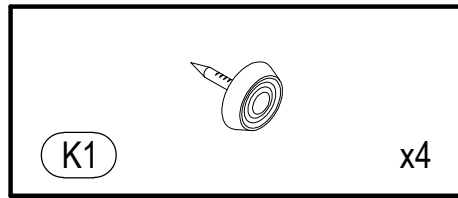
# x2


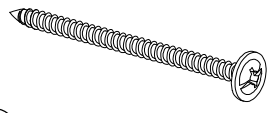
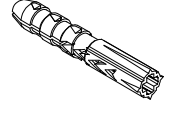


**2**



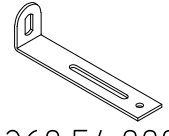
**3**

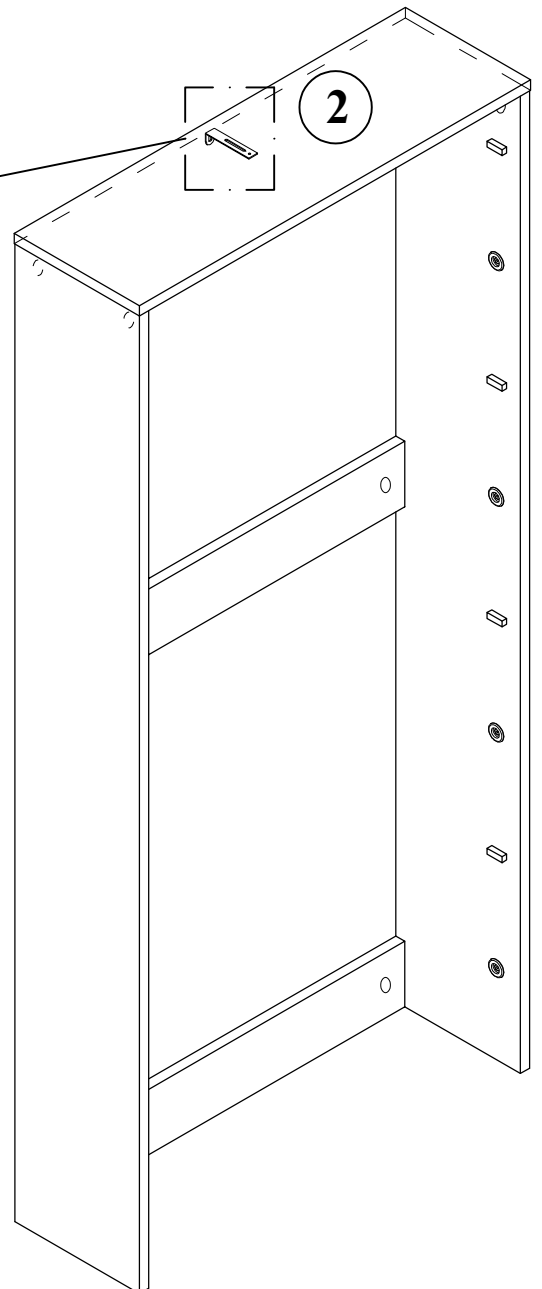
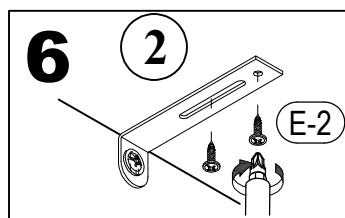
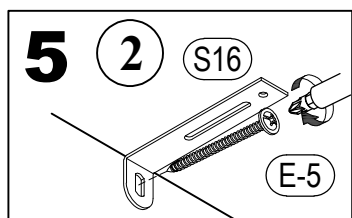
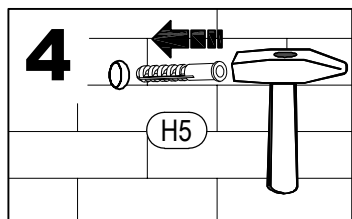
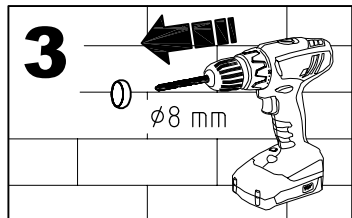
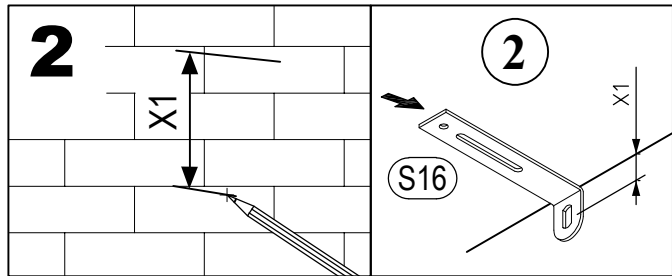
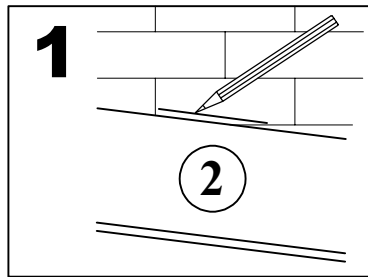
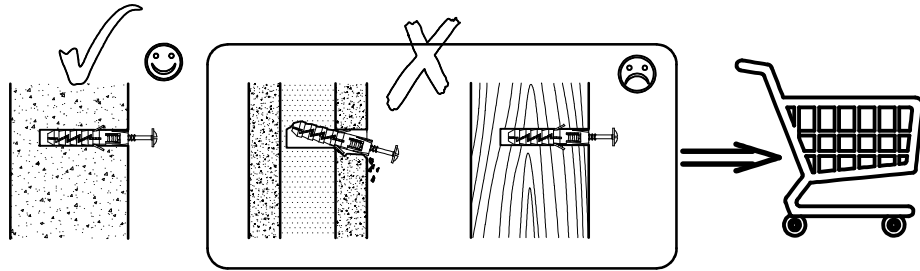


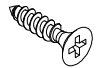


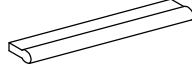
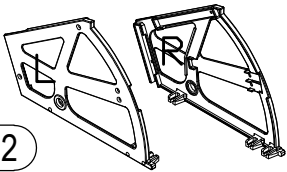
 <b>(E-2)</b> 4,2*16mm x2	 <b>(E-5)</b> 4,2*65mm x1	 <b>(H5)</b> 8*50mm x1
---	---	--

# 4



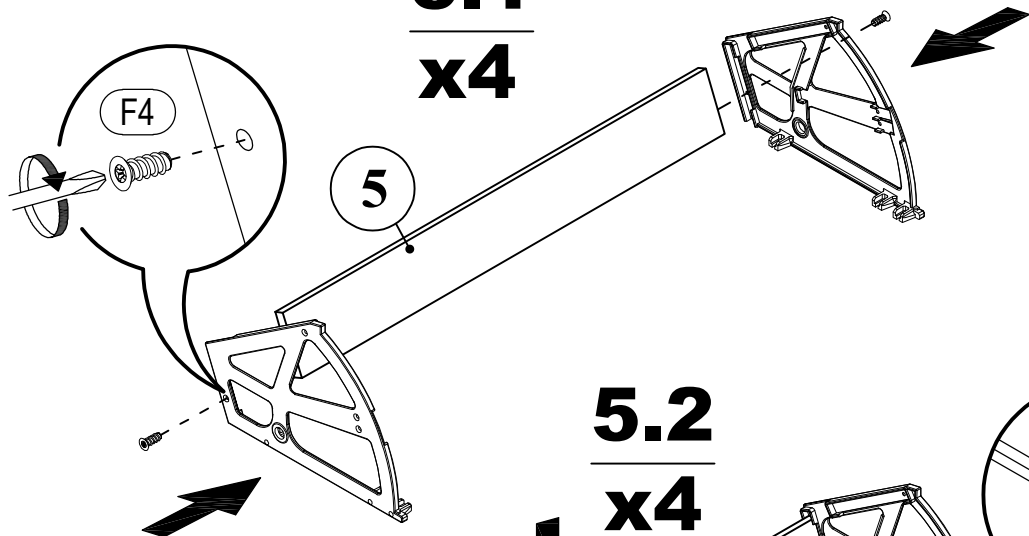
 <b>(S16)</b> 260.54.900 x1
---



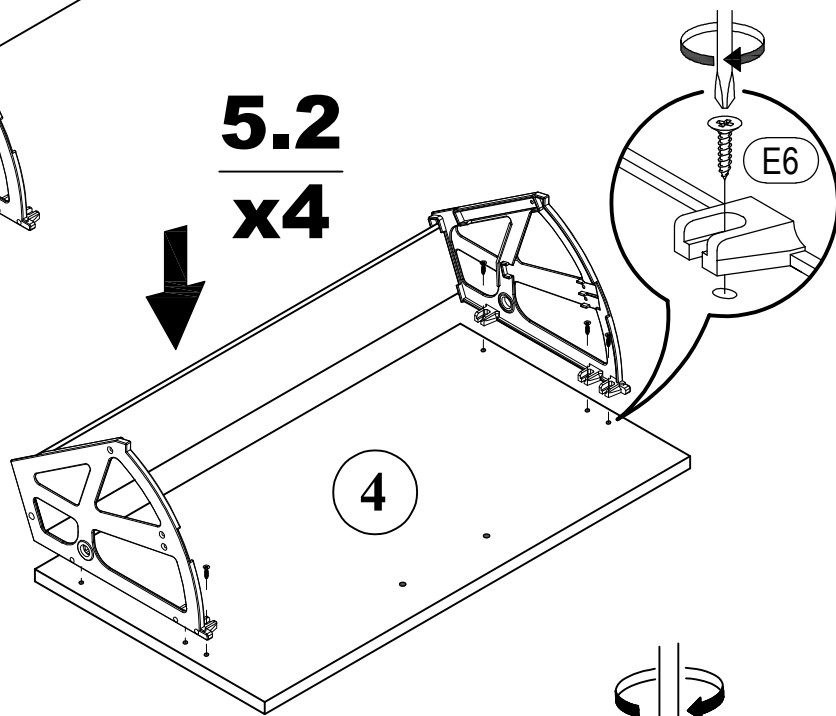
 <b>E6</b> 3,5*16mm x24	 <b>E14</b> 4*25mm x8	 <b>F4</b> 6,3*13mm x16
 <b>I9</b> x4	 <b>N2</b> x4	

# 5

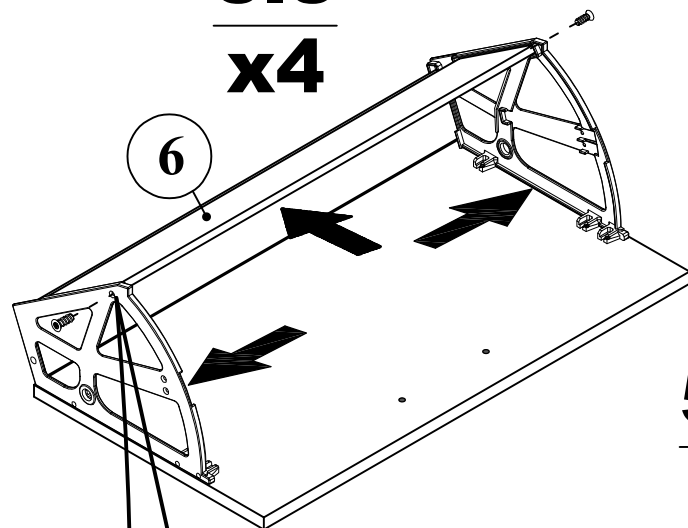
**5.1**  
**x4**



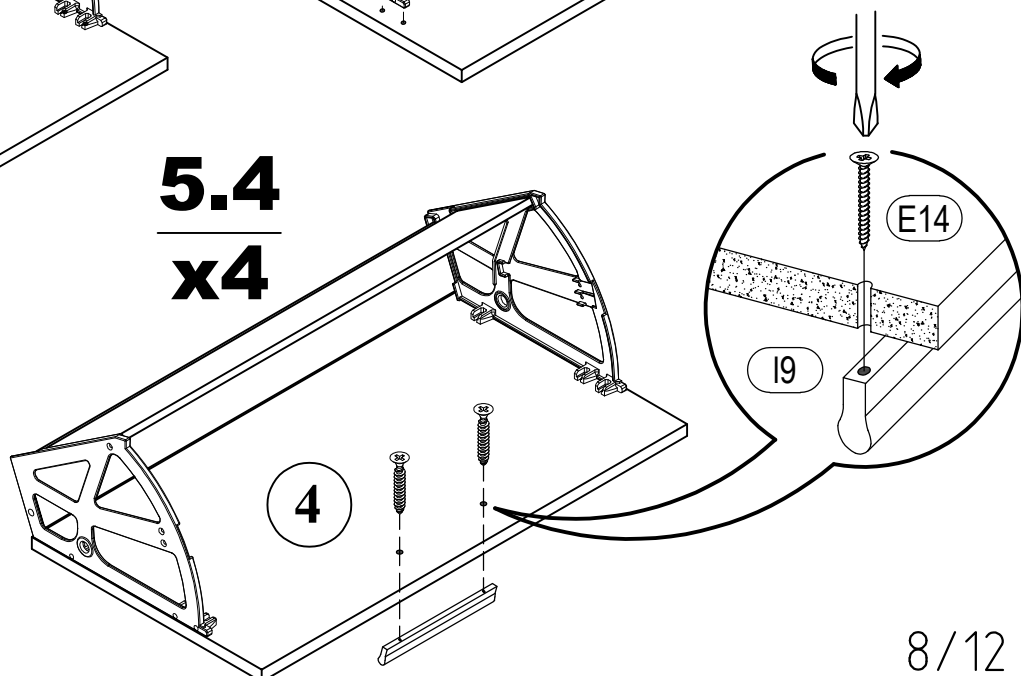
**5.2**  
**x4**



**5.3**  
**x4**





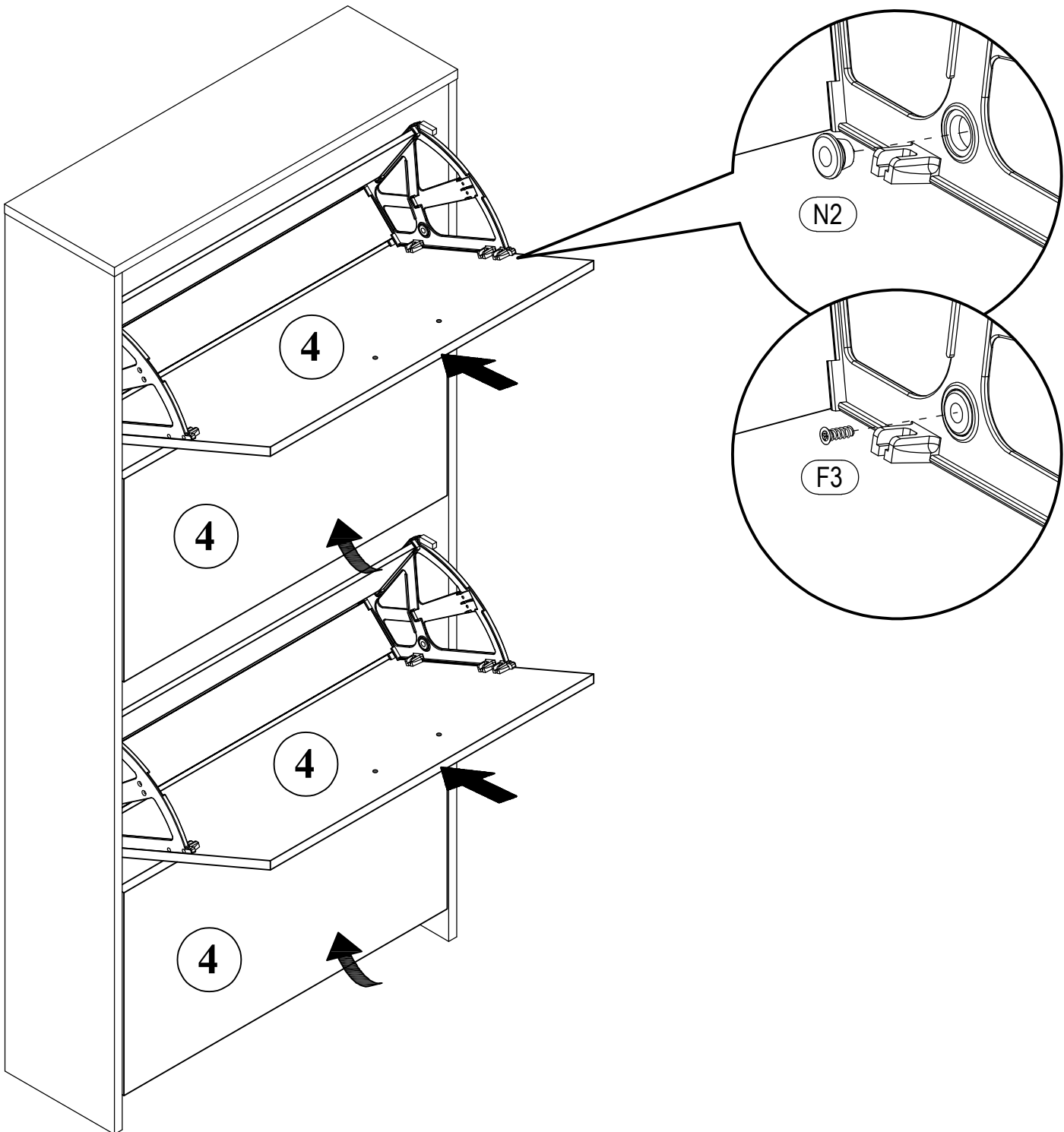
**5.4**  
**x4**







**6**

 <b>F3</b> 5,0*13mm x8	 <b>N2</b> x4
--	---



	
<b>D</b> $\phi 20\text{mm}$ x8	<b>F4</b> 6,3*13mm    x24

**7**

