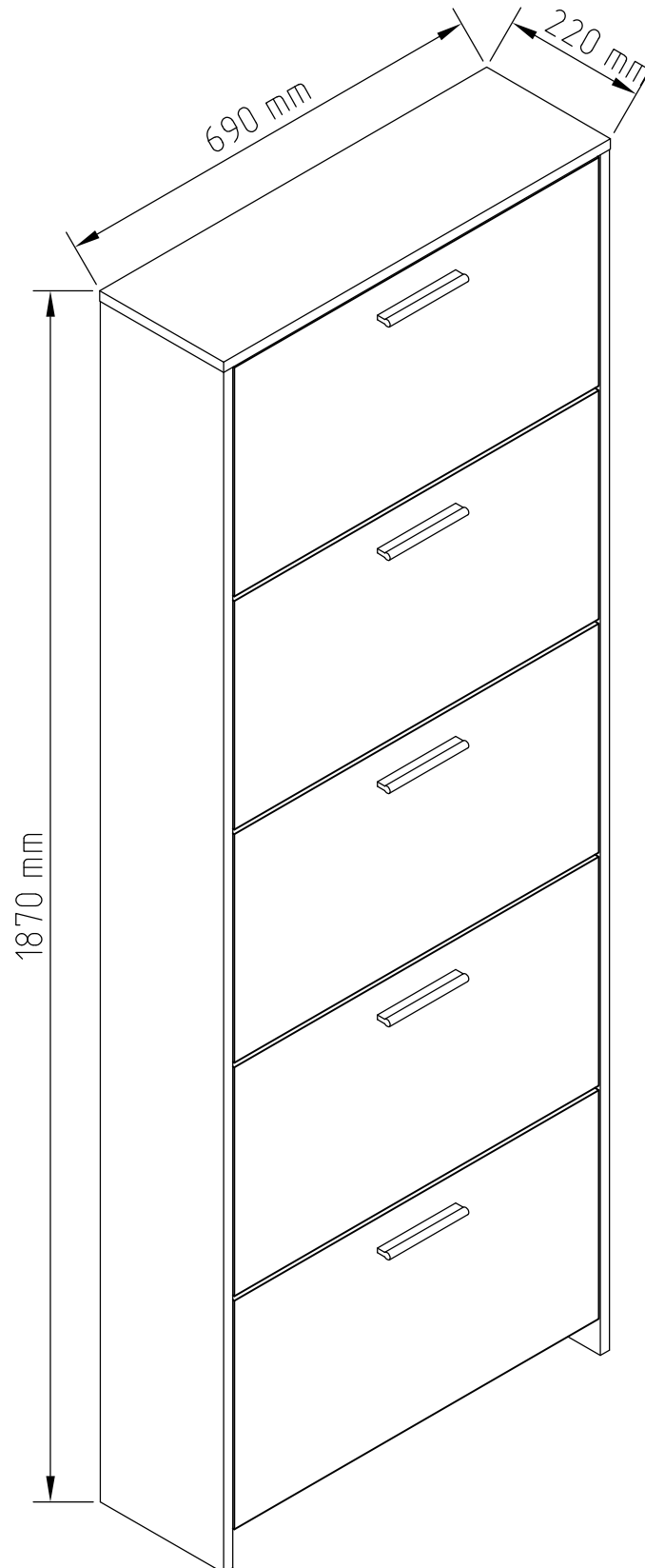
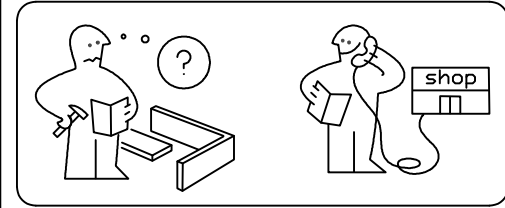
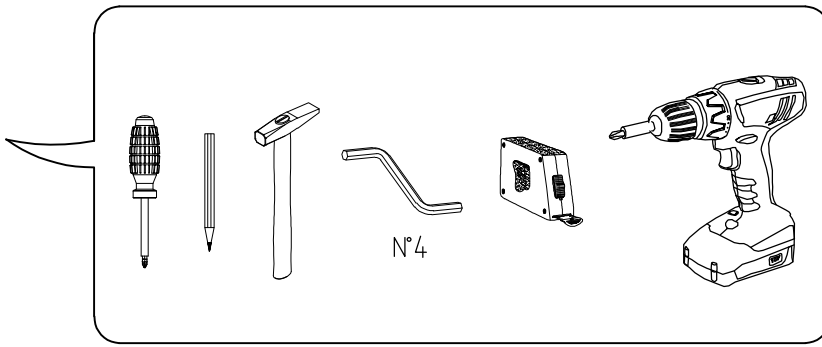
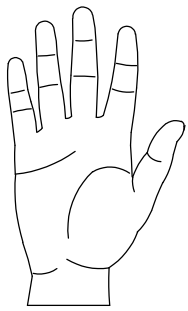
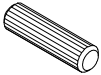
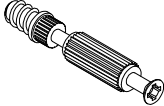


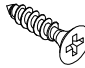
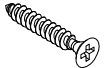

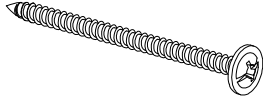


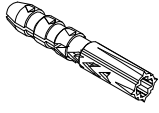
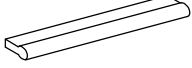

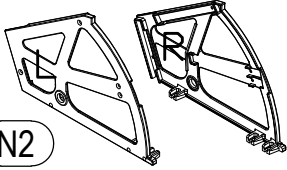
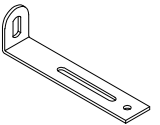


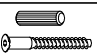
# Рене / Rene

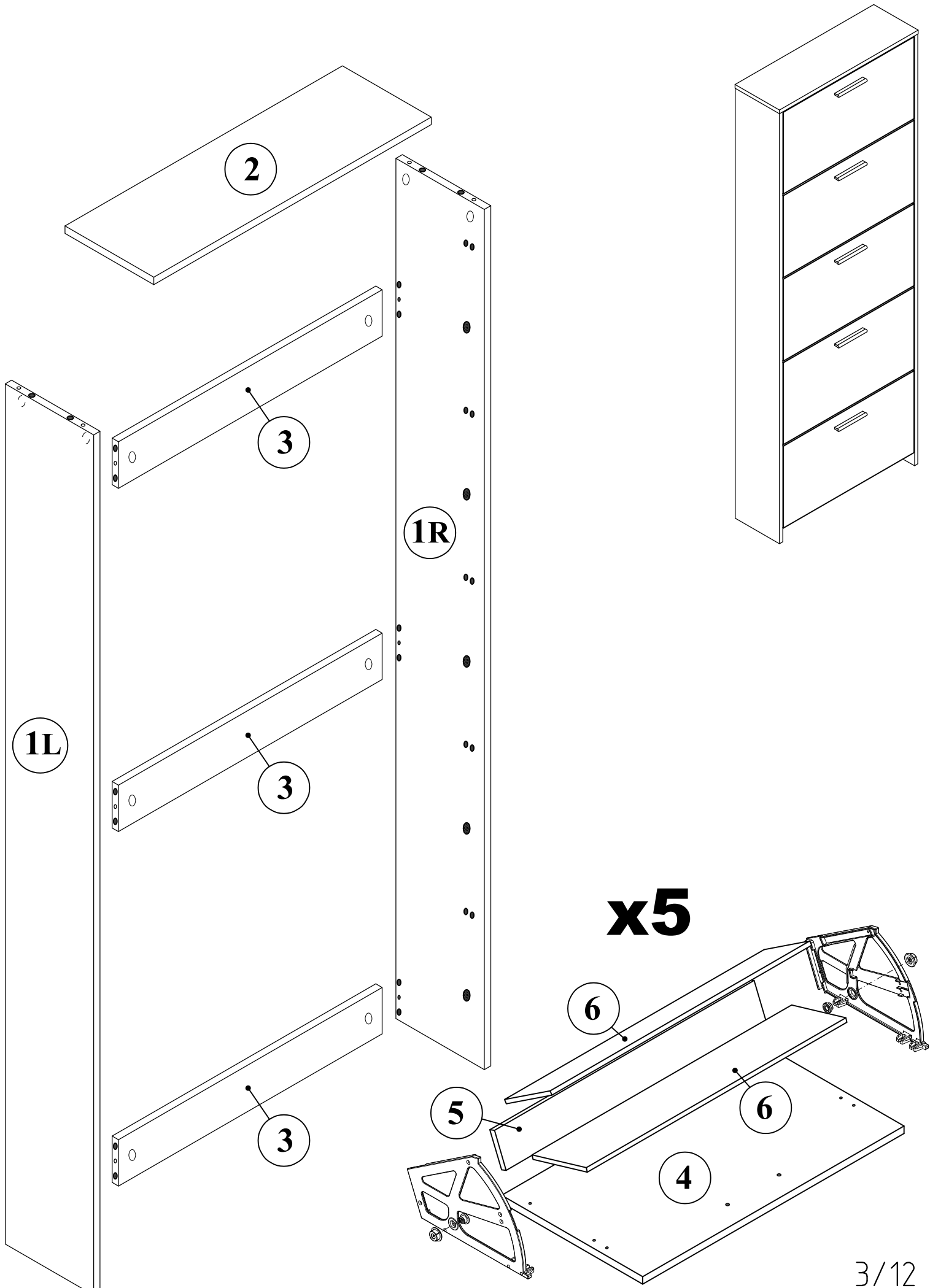
## тумба для взуття 5Д / shoes closet 5D



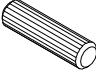
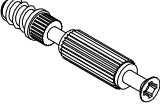

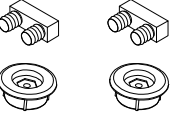


 <b>A1</b> 8*30mm x16	 <b>C1</b> 6*43mm x10	 <b>D</b> $\phi$ 20mm x10
 <b>D1</b> 15/16 x10	 <b>E6</b> 3,5*16mm x30	 <b>E14</b> 4*25mm x10
 <b>E-2</b> 4,2*16mm x2	 <b>E-5</b> 4,2*65mm x1	 <b>F3</b> 5,0*13mm x10
 <b>F4</b> 6,3*13mm x30	 <b>H5</b> 8*50mm x1	 <b>I9</b> x5
 <b>K1</b> x4	 <b>N2</b> x5	 <b>S16</b> 260.54.900 x1

№	a*b	x	№→...
1L	1854x220	x1	1/2
1R	1854x220	x1	1/2
2	690x221	x1	1/2
3	656x100	x3	1/2
4	650x351	x5	2/2
5	642x90	x5	2/2
6	642x142	x10	2/2
		x1	2/2

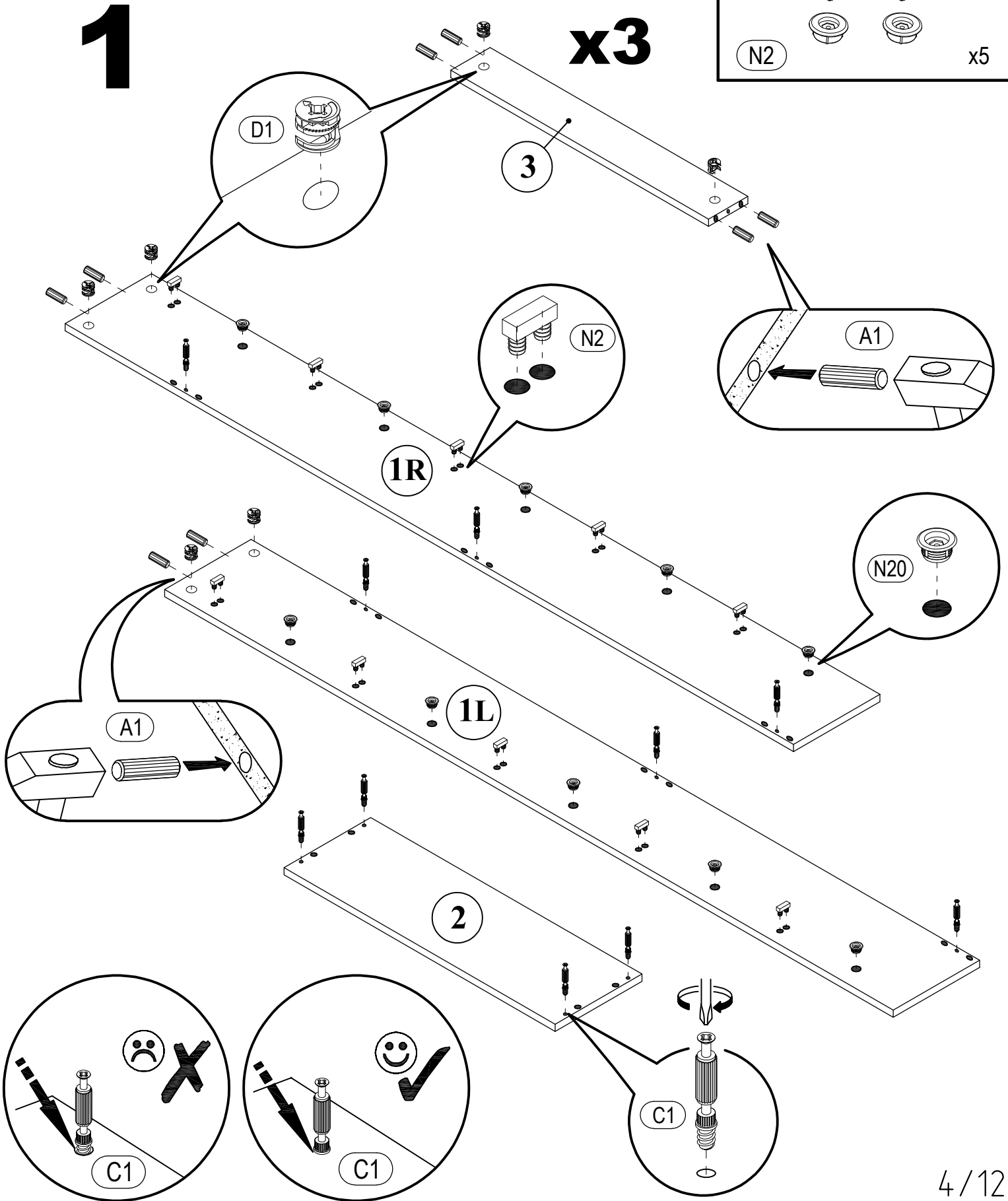


# Zapatos (2) 5D

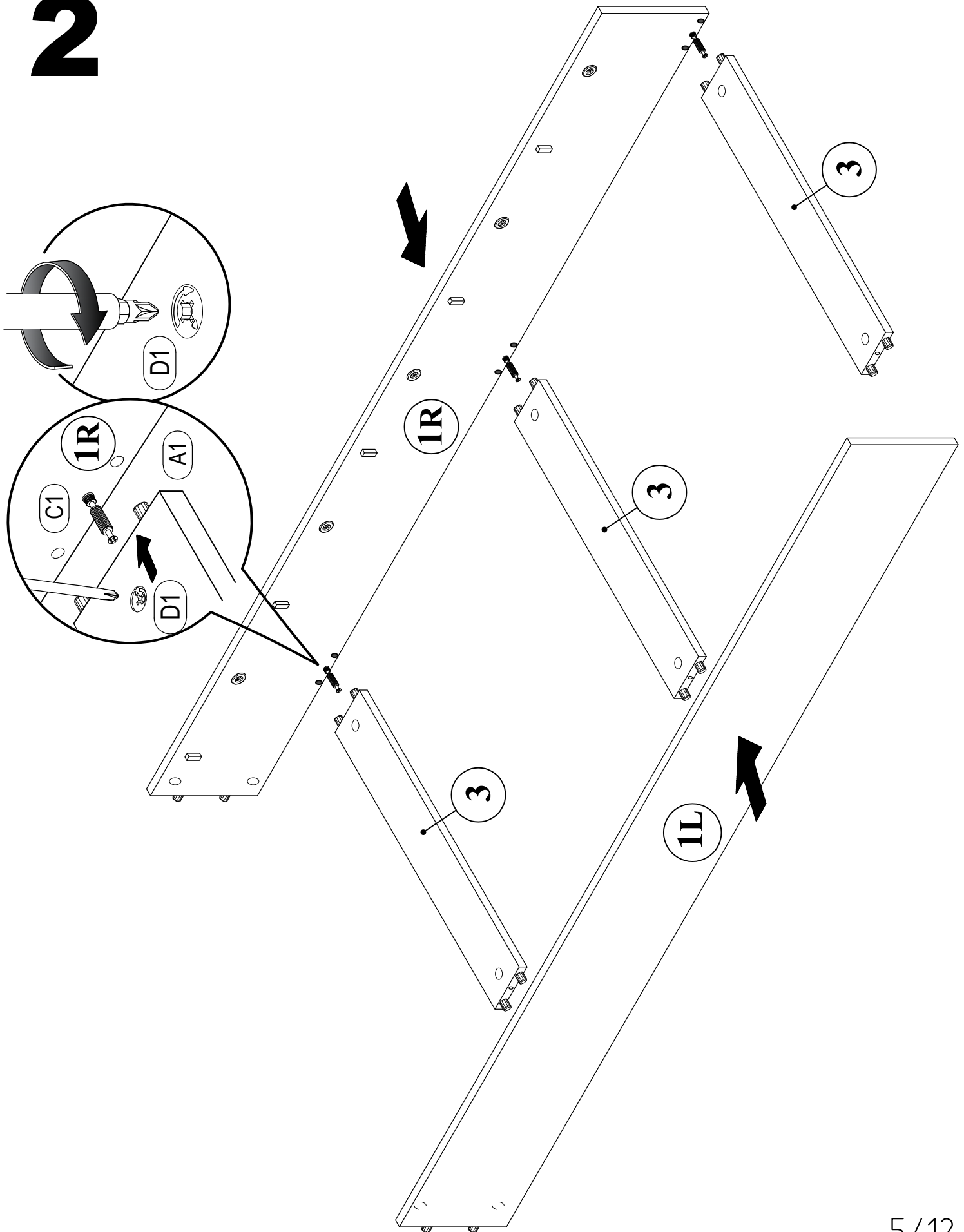
 <b>A1</b> 8*30mm x16	 <b>C1</b> 6*43mm x10	 <b>D1</b> 15/16 x10
		 <b>N2</b> x5

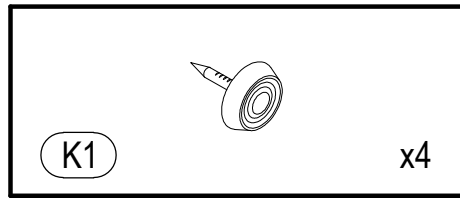
# 1

# x3

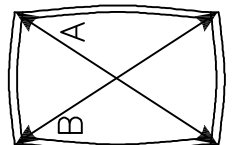
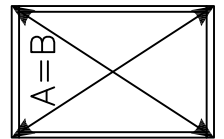
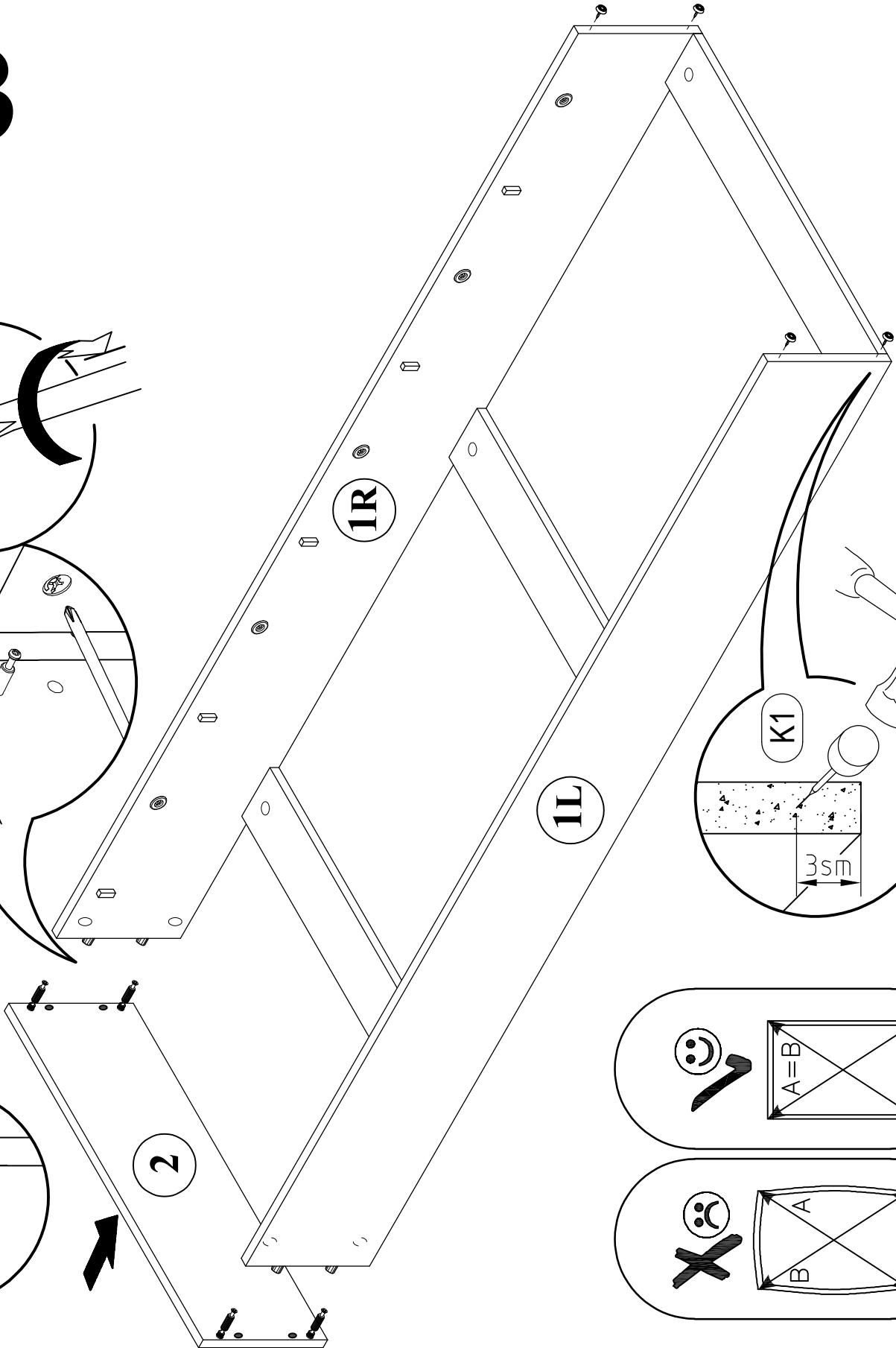
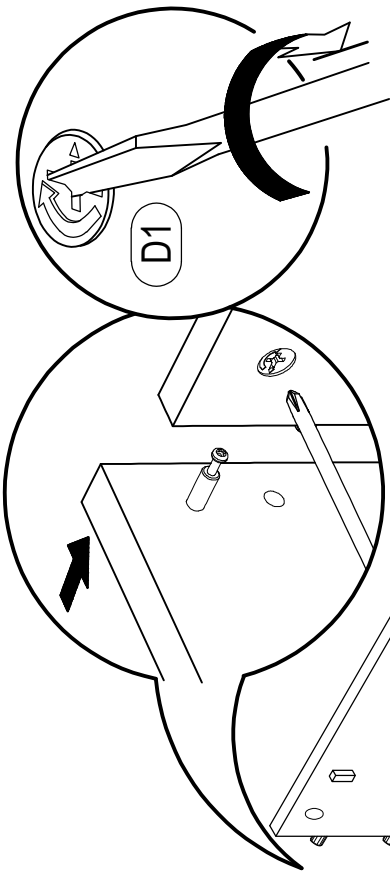



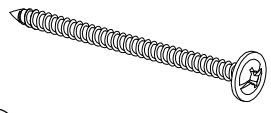
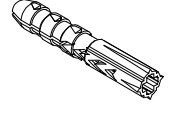
**2**

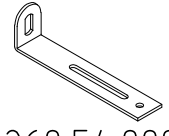




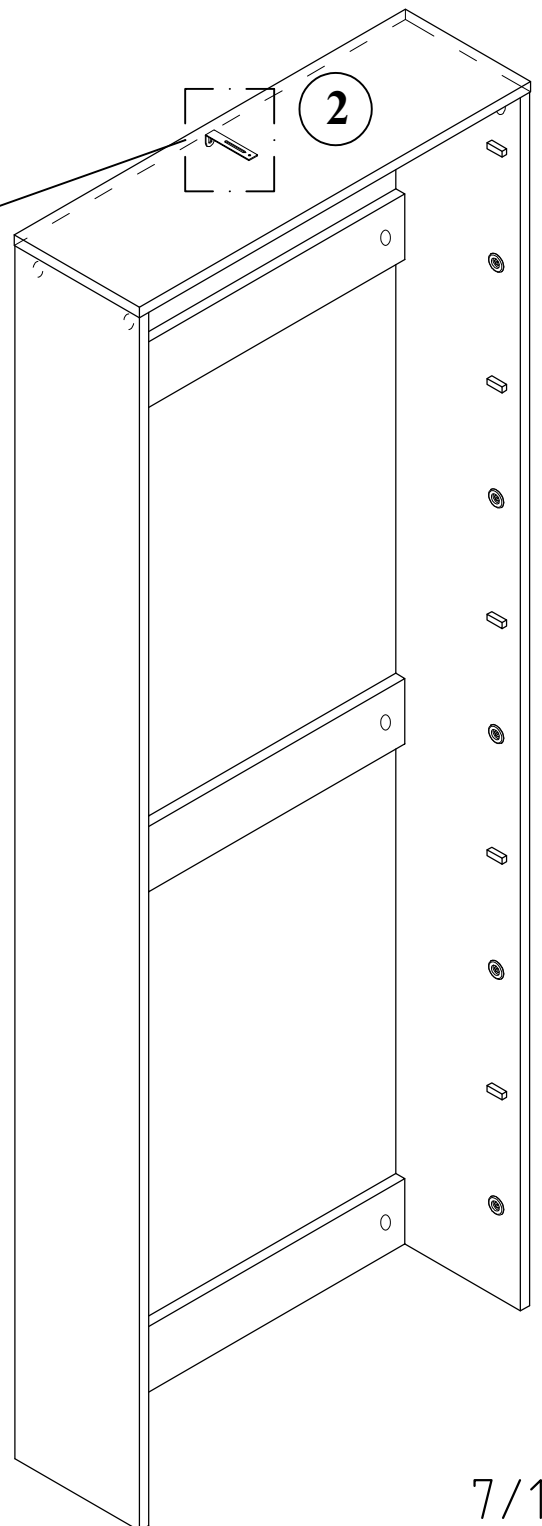
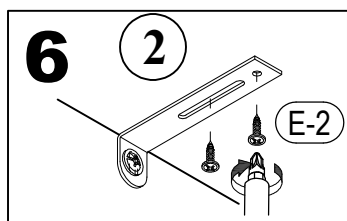
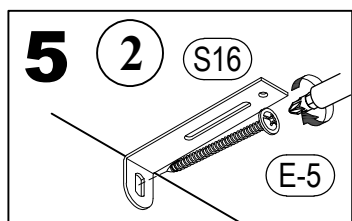
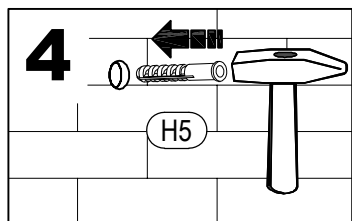
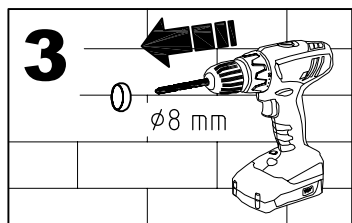
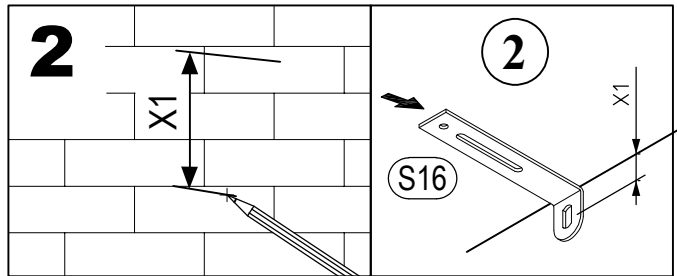
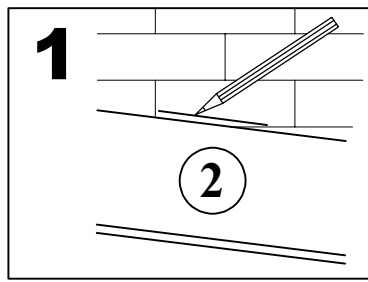
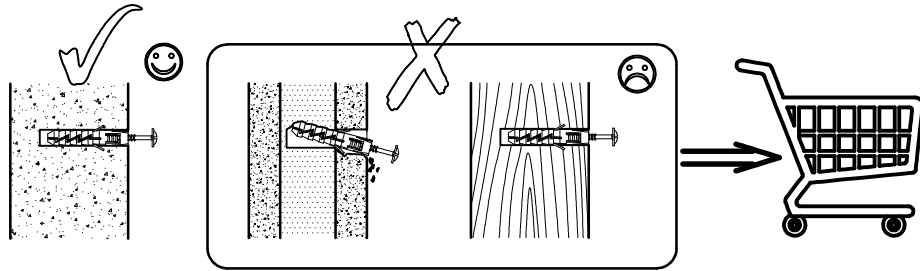
**3**

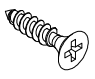


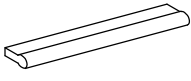
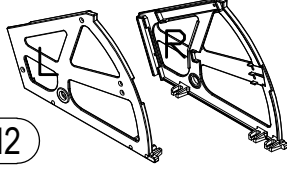


 <b>(E-2)</b> 4,2*16mm x2	 <b>(E-5)</b> 4,2*65mm x1	 <b>(H5)</b> 8*50mm x1
---	---	--

 <b>(S16)</b> 260.54.900 x1
---

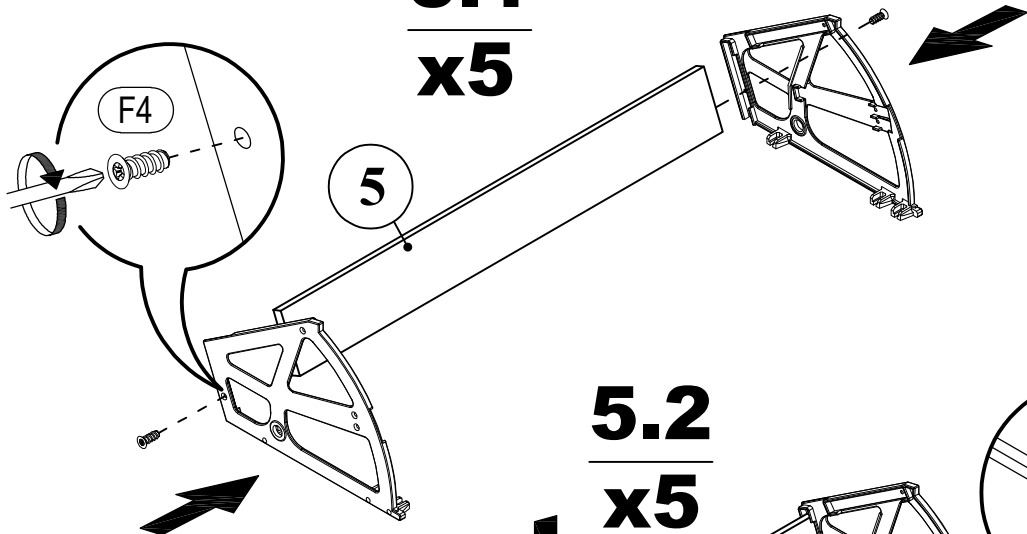
# 4



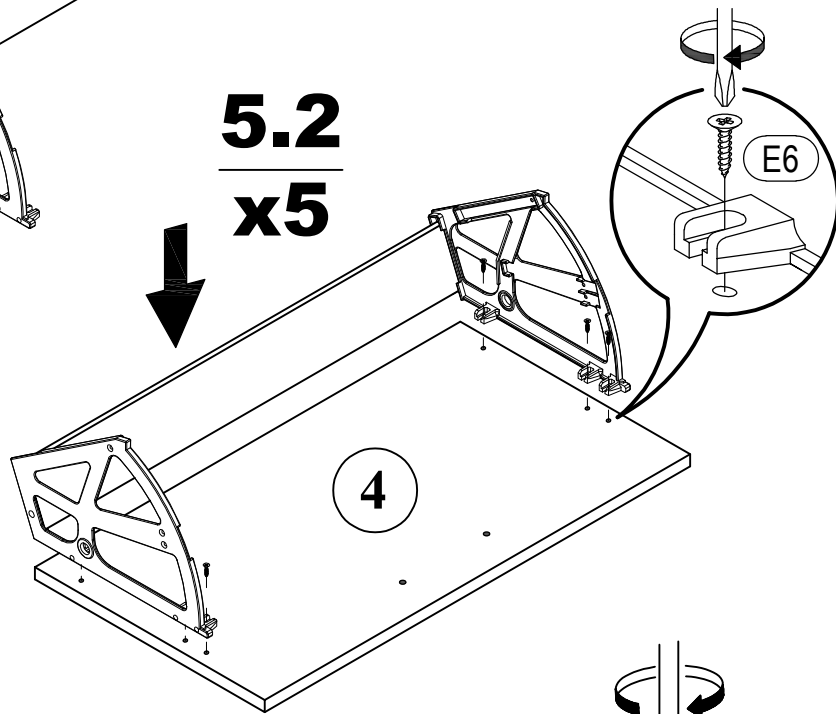
 <b>E6</b> 3,5*16mm x30	 <b>E14</b> 4*25mm x10	 <b>F4</b> 6,3*13mm x20
 <b>I9</b> x5	 <b>N2</b> x5	

# 5

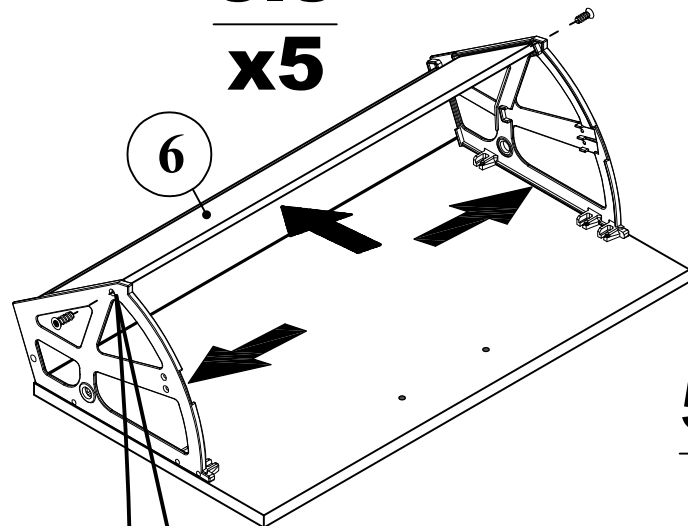
**5.1**  
**x5**



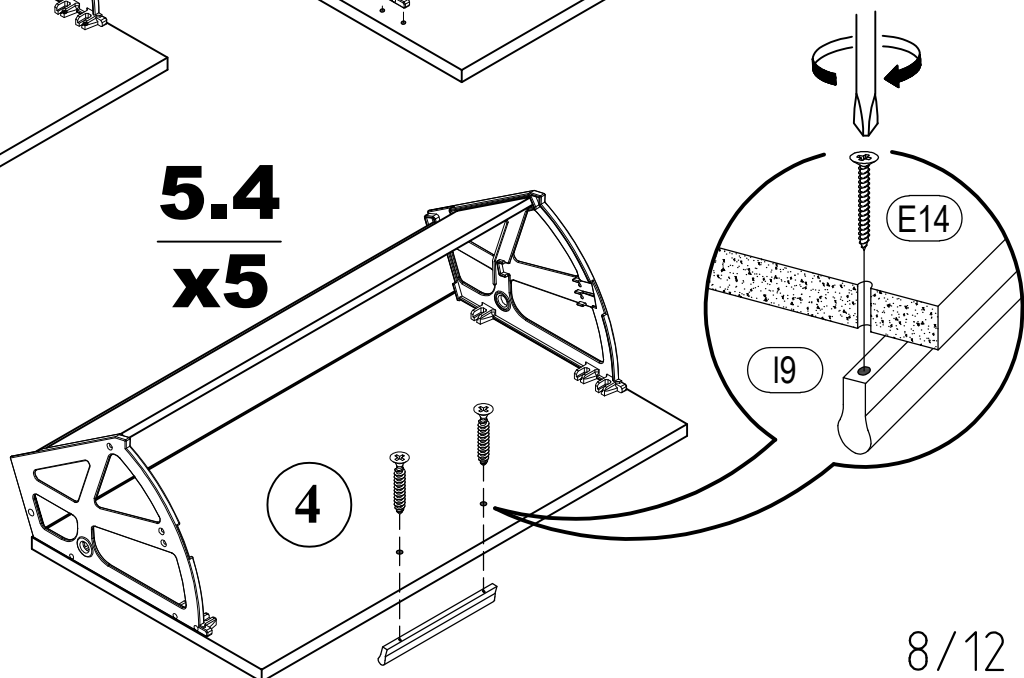
**5.2**  
**x5**





**5.3**  
**x5**



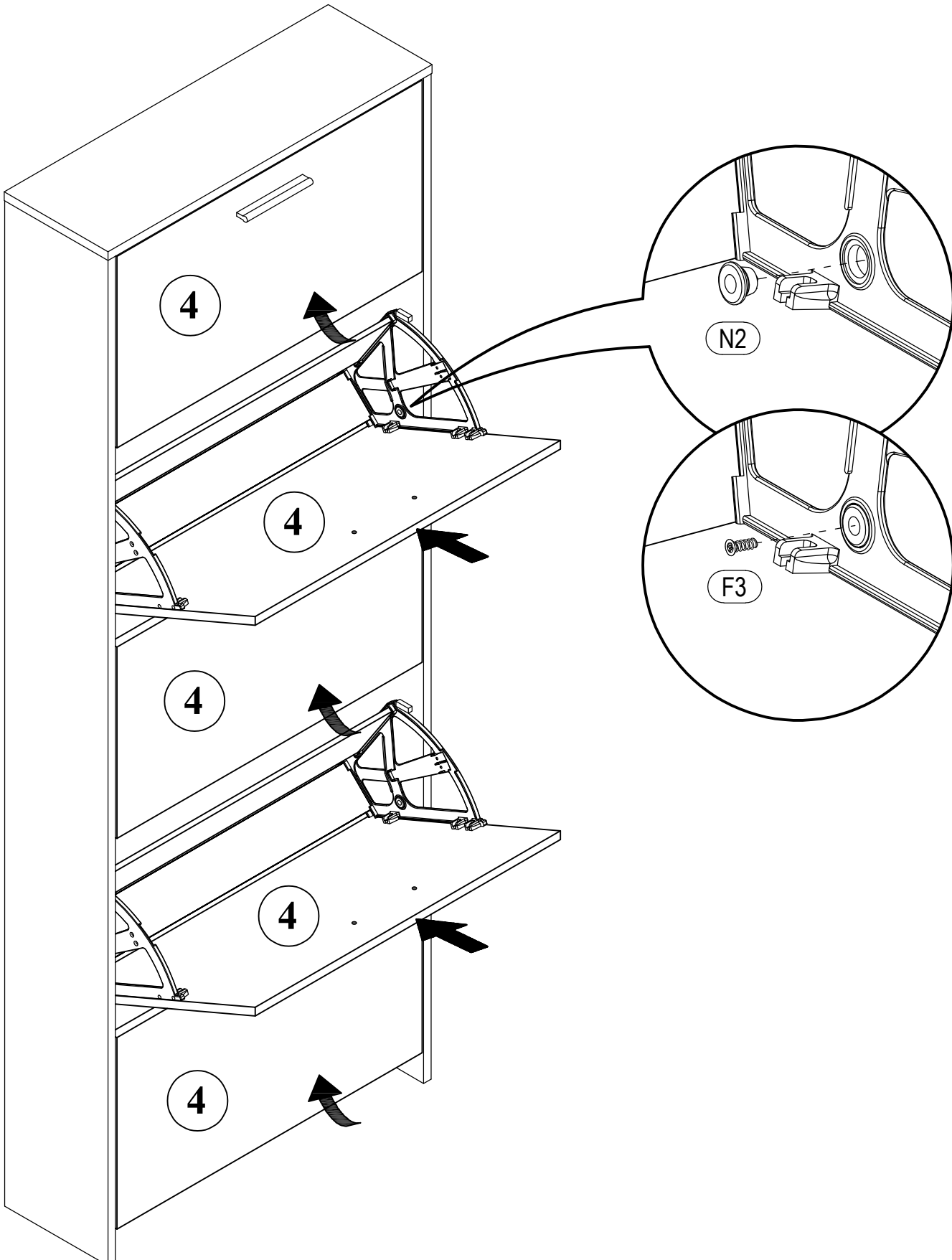
**5.4**  
**x5**







 <b>(F3)</b> 5,0*13mm x10	 <b>(N2)</b> x5
---	---

**6**



	
<b>D</b> $\phi 20\text{mm}$ x10	<b>F4</b> 6,3*13mm    x30

**7**

