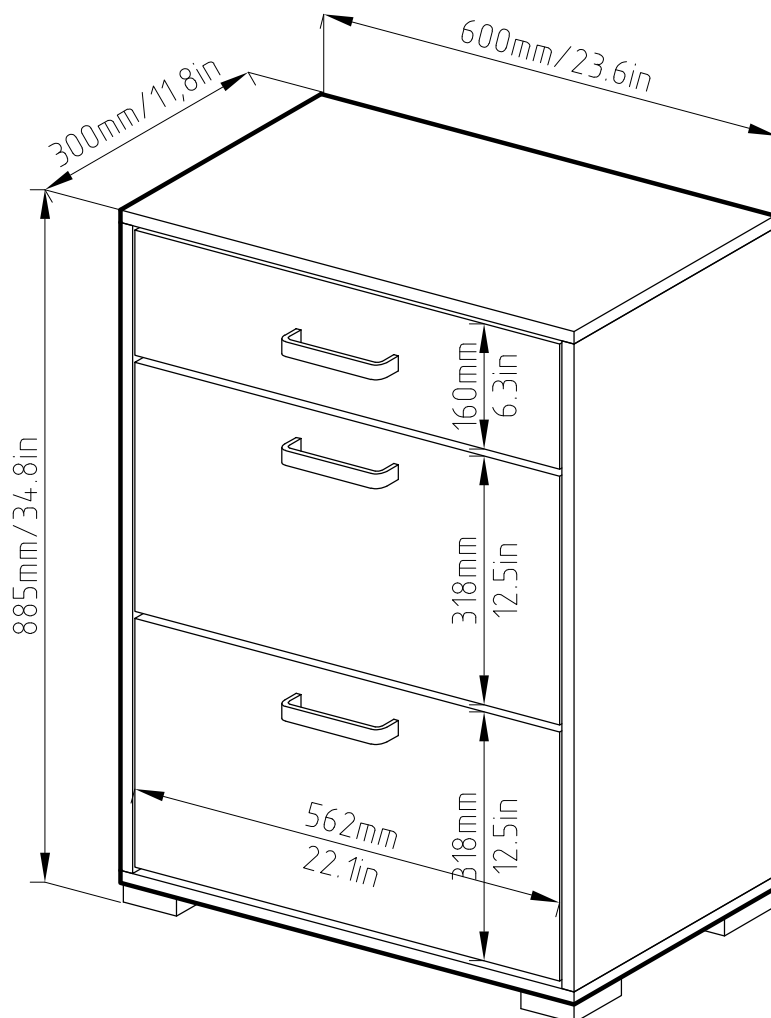



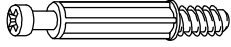
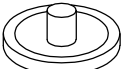








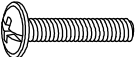

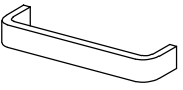
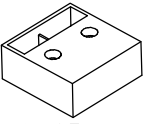

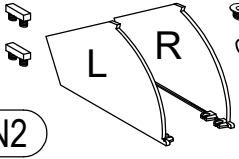

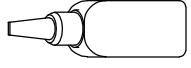

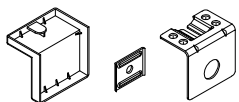
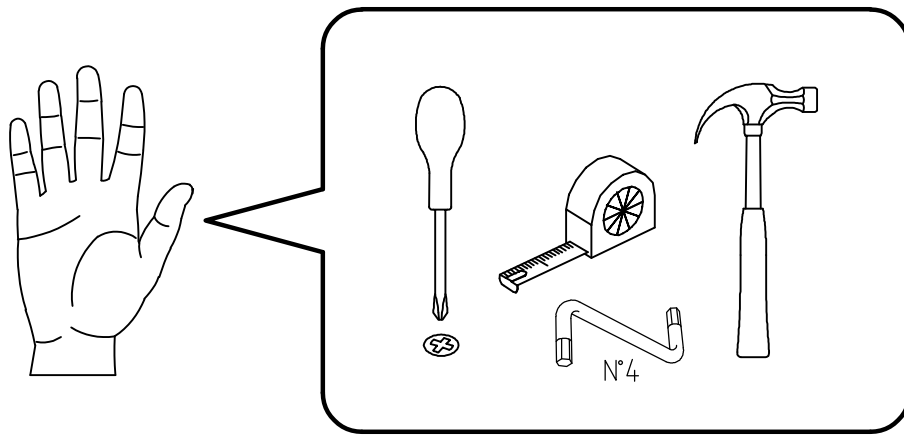


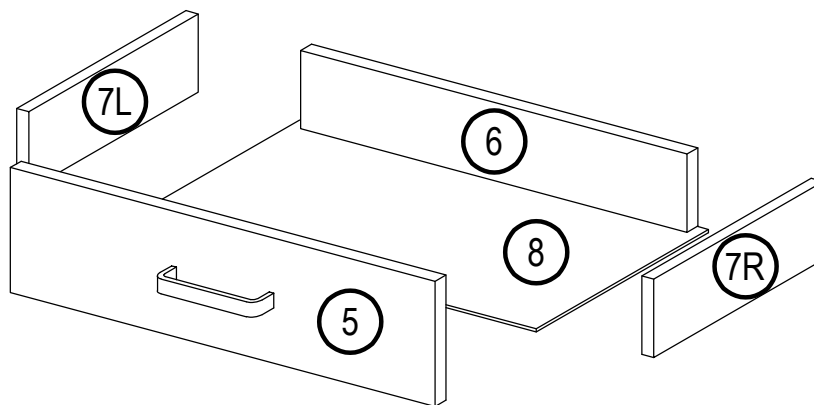
SHOE CABINET



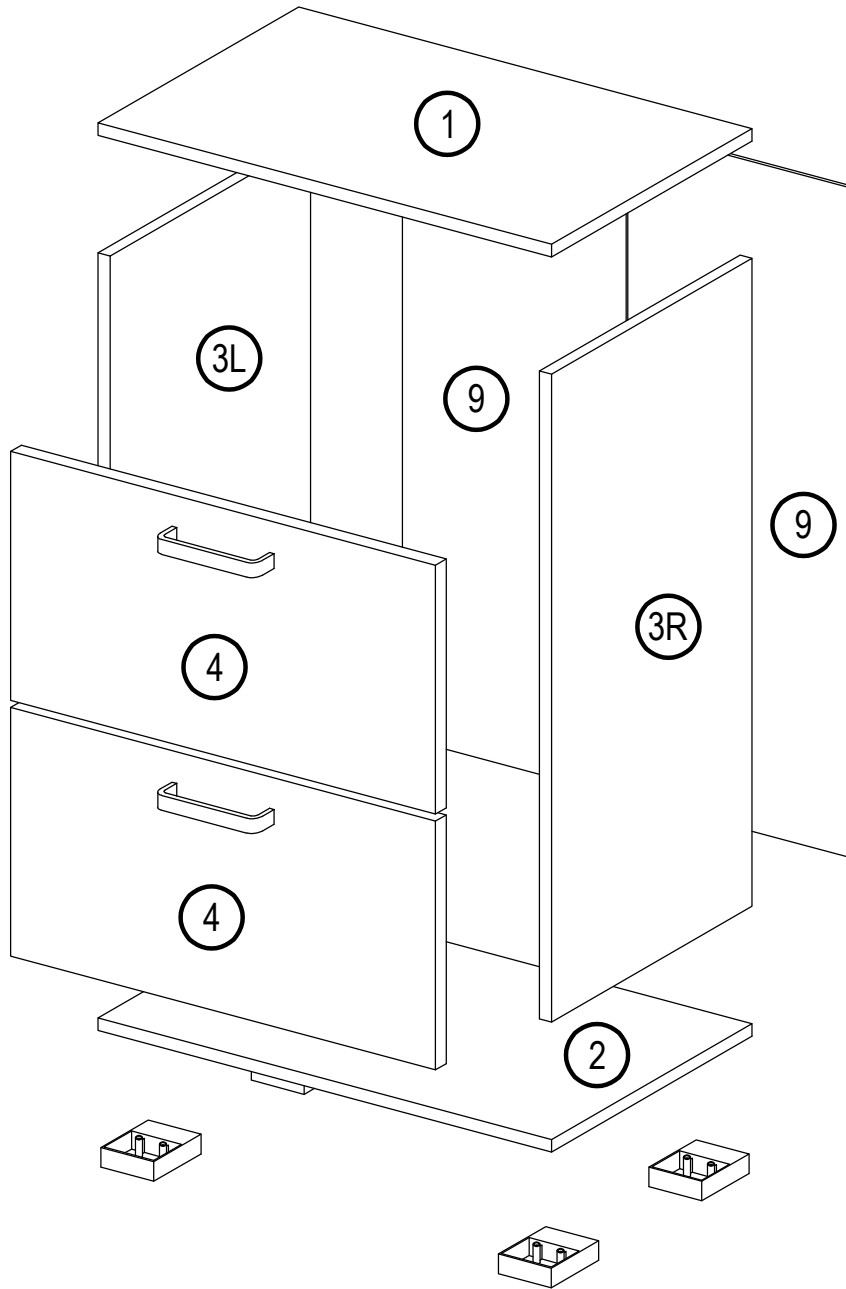
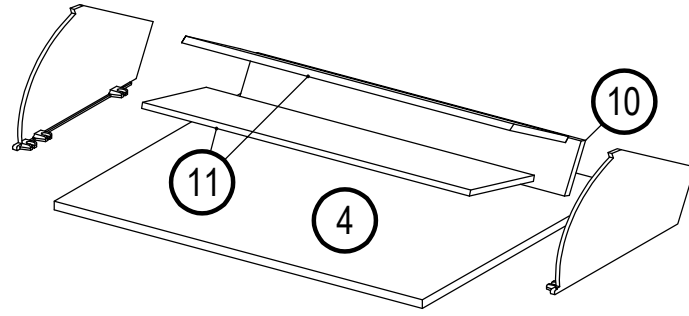
 A1 $\frac{8*30mm}{0.31*1.2in}$ x10	 B $\frac{\phi 12mm}{\phi 0.47in}$ x4	 B1 $\frac{6.3*50mm}{0.25*2.0in}$ x4
 C1 $\frac{6*43mm}{0.24*1.7in}$ x2	 D $\frac{\phi 20mm}{\phi 0.79in}$ x2	 D1 $\frac{15/16}{0.59/0.63}$ x2
 E2 $\frac{3*16mm}{0.12*0.63in}$ x12	 E4 $\frac{3.5*16mm}{0.14*0.63in}$ x16	 E11 $\frac{4*35mm}{0.16*1.4in}$ x8
 Ea3 $\frac{4.2*41mm}{0.17*1.6in}$ x1	 H5 $\frac{8*50mm}{0.31*2.0in}$ x1	 F1 $\frac{5.0*13mm}{0.20*0.51in}$ x4
 F2 $\frac{6.3*13mm}{0.25*0.51in}$ x12	 G7 $\frac{M 4*25}{0.16*0.98in}$ x6	 H1 $\frac{\phi 13mm}{\phi 0.51in}$ x6
 I21 x3	 K4 $\frac{h=25mm}{h=0.98in}$ x4	 M1 $\frac{250mm}{9.84in}$ x1
 N2 x2	 P4 $\frac{750mm}{29.5in}$ x1	 R1 x1
 R3 $\frac{1.4*25mm}{0.06*0.98in}$ 0.03kg		 S14 x1

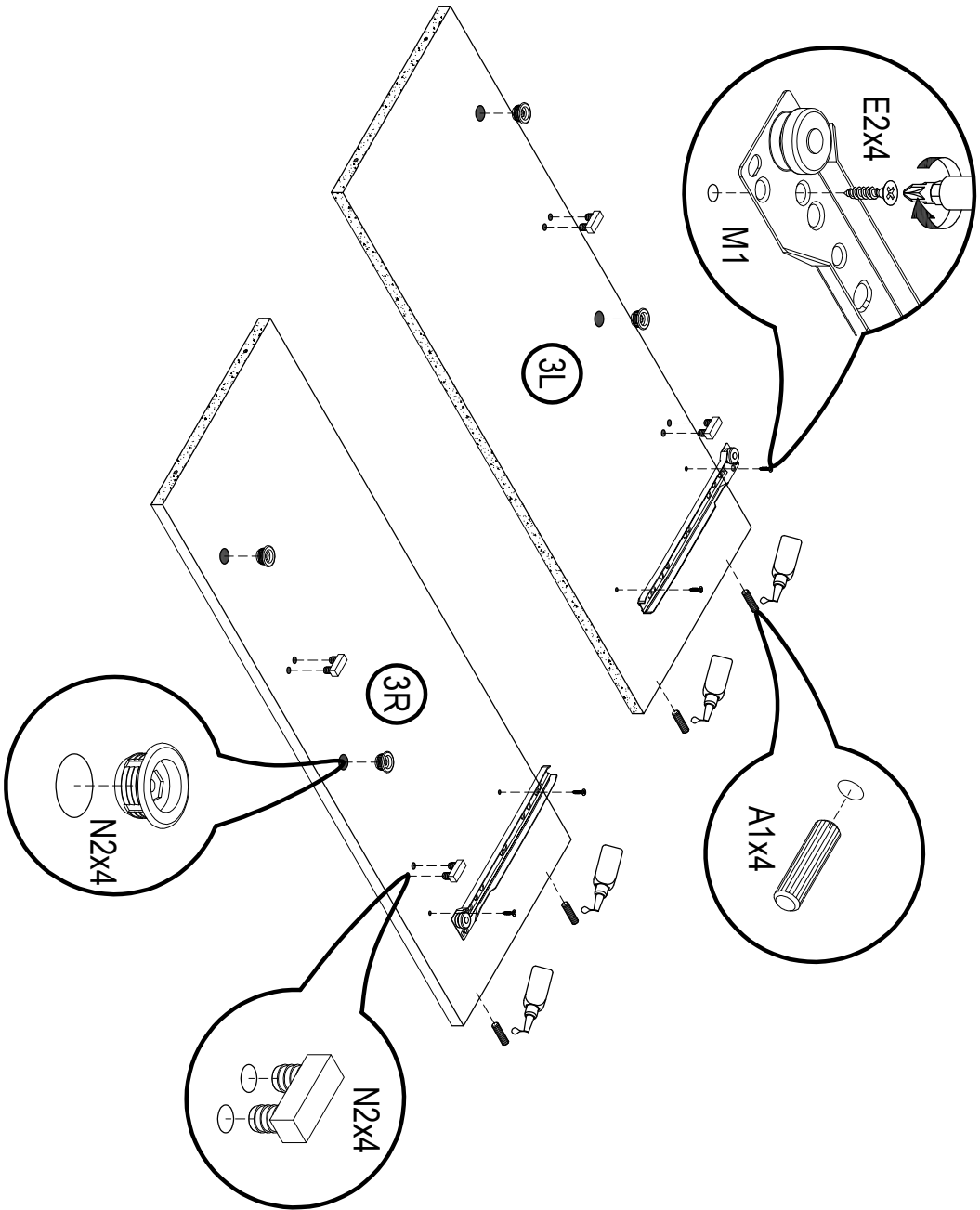


N°	axb	x	N°	axb	x
1	$\frac{600 \times 296 \text{mm}}{23.6 \times 11.7 \text{in}}$	1	7L	$\frac{250 \times 100 \text{mm}}{9.84 \times 3.94 \text{in}}$	1
2	$\frac{600 \times 296 \text{mm}}{23.6 \times 11.7 \text{in}}$	1	7R	$\frac{250 \times 100 \text{mm}}{9.84 \times 3.94 \text{in}}$	1
3L	$\frac{828 \times 296 \text{mm}}{32.6 \times 11.7 \text{in}}$	1	8	$\frac{254 \times 541 \text{mm}}{10.0 \times 21.3 \text{in}}$	1
3R	$\frac{828 \times 296 \text{mm}}{32.6 \times 11.7 \text{in}}$	1	9	$\frac{856 \times 296 \text{mm}}{33.7 \times 11.7 \text{in}}$	2
4	$\frac{318 \times 562 \text{mm}}{12.5 \times 22.1 \text{in}}$	2	10	$\frac{558 \times 90 \text{mm}}{22.0 \times 3.54 \text{in}}$	2
5	$\frac{160 \times 562 \text{mm}}{6.30 \times 22.1 \text{in}}$	1	11	$\frac{558 \times 142 \text{mm}}{22.0 \times 5.59 \text{in}}$	4
6	$\frac{511 \times 100 \text{mm}}{20.1 \times 3.94 \text{in}}$	1			

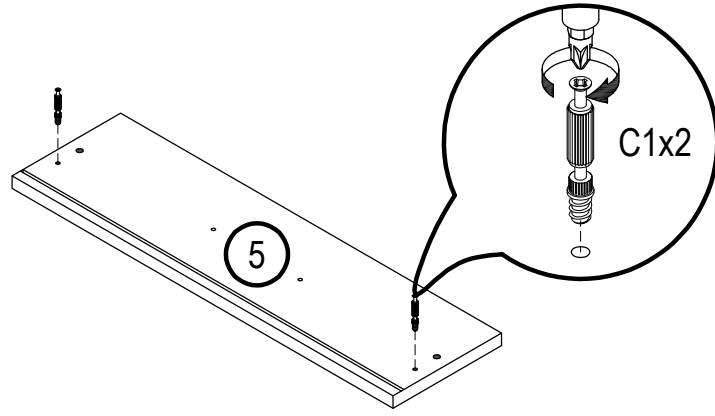


x2

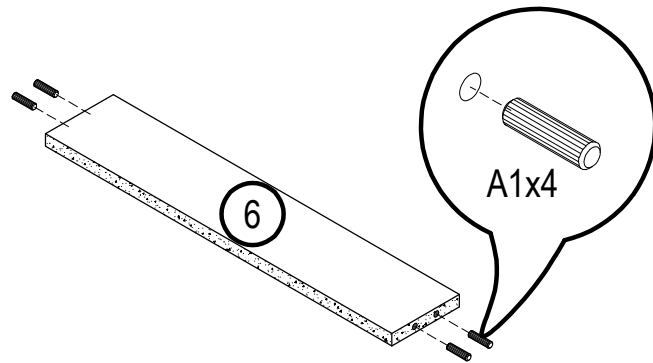




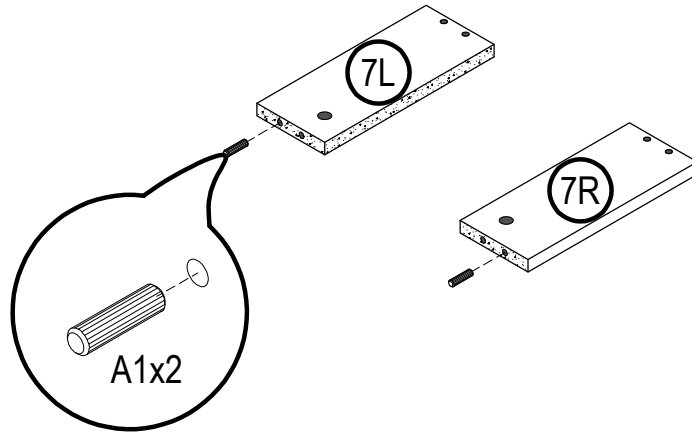
2

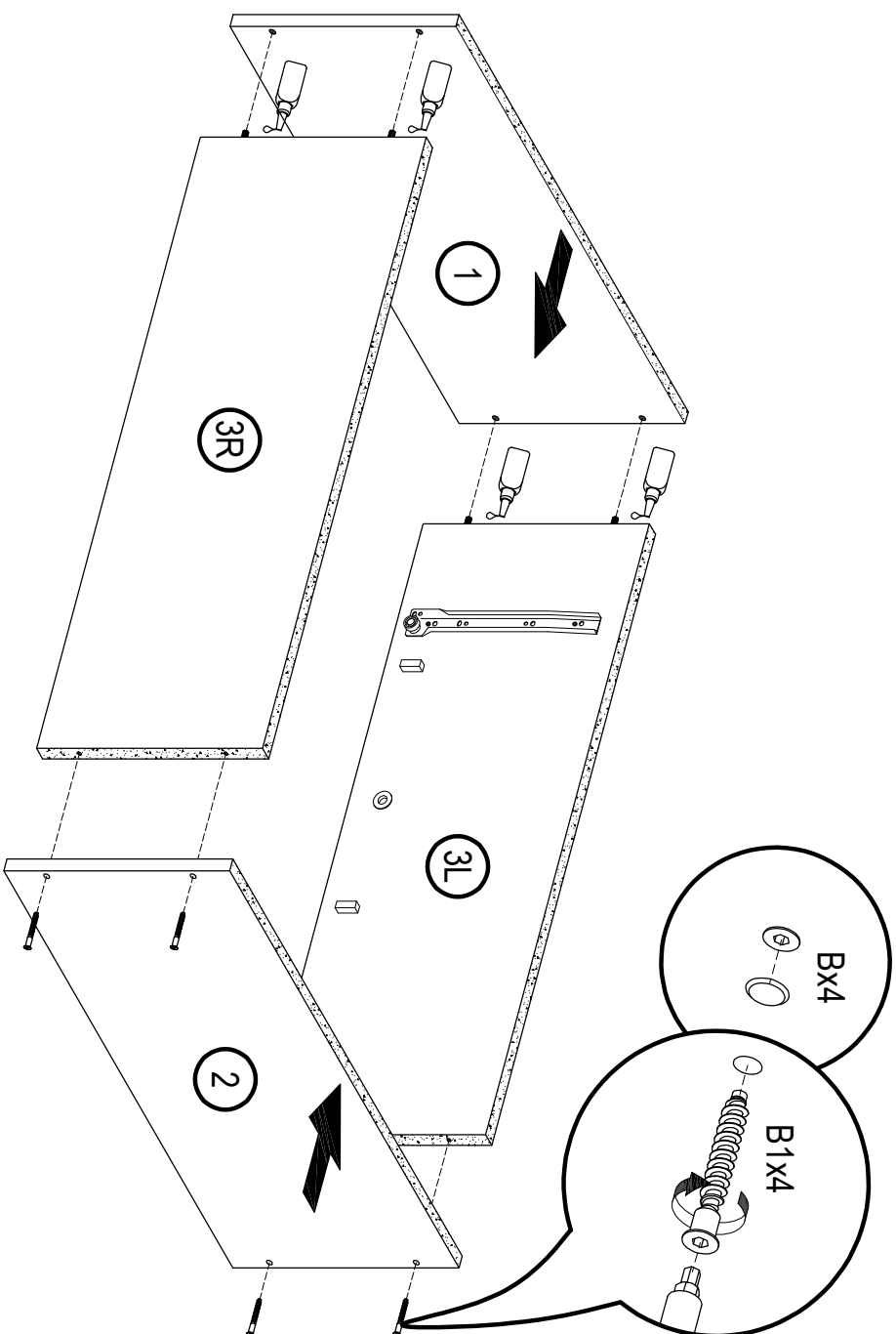


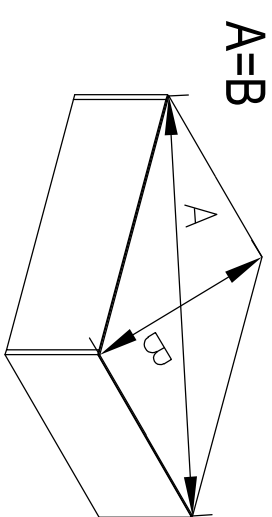
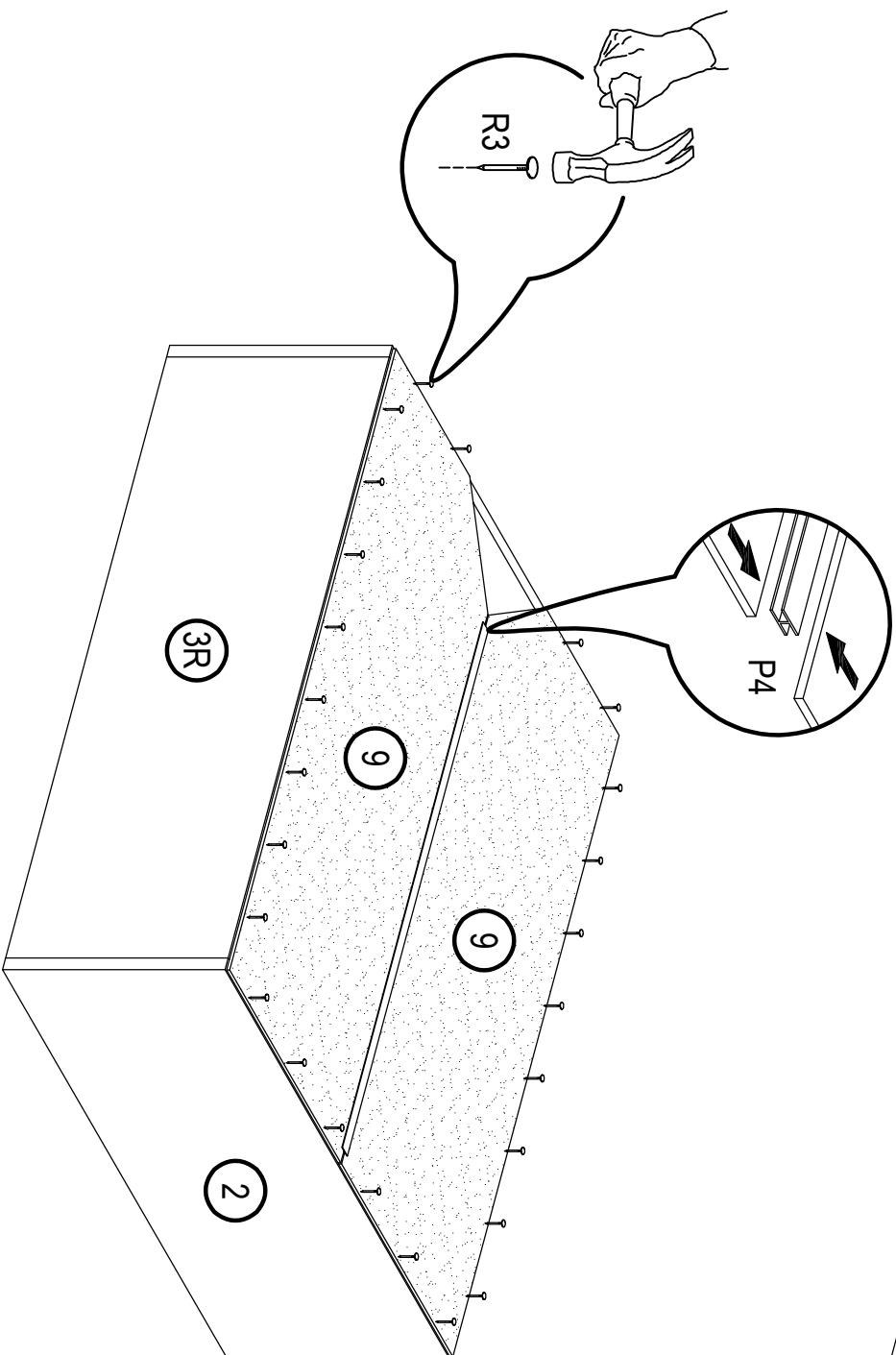
3

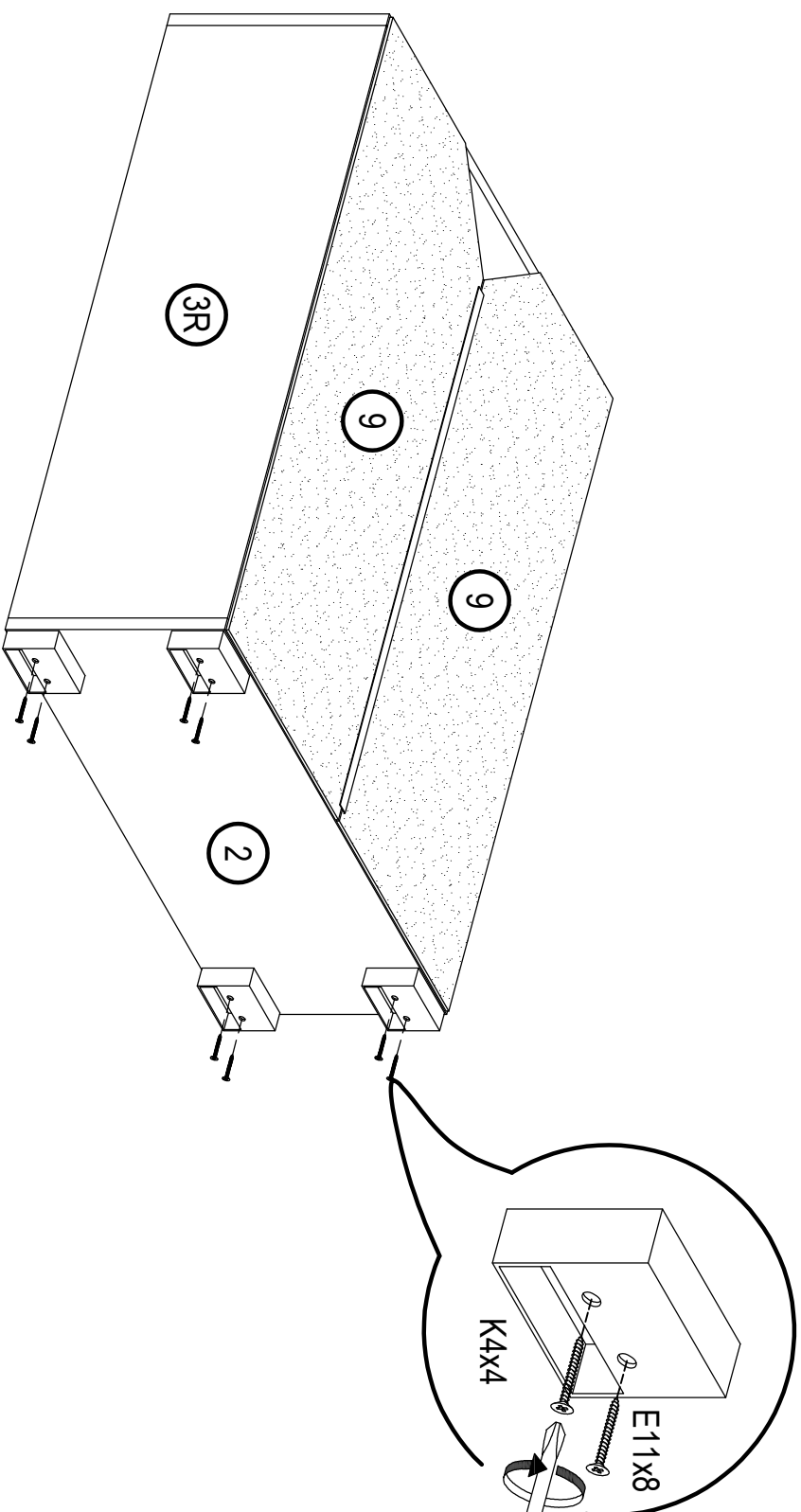


4

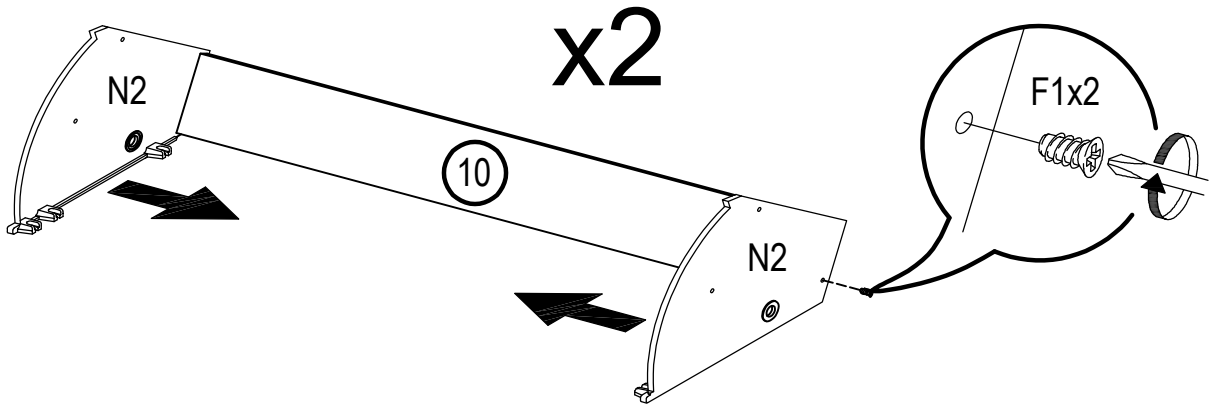




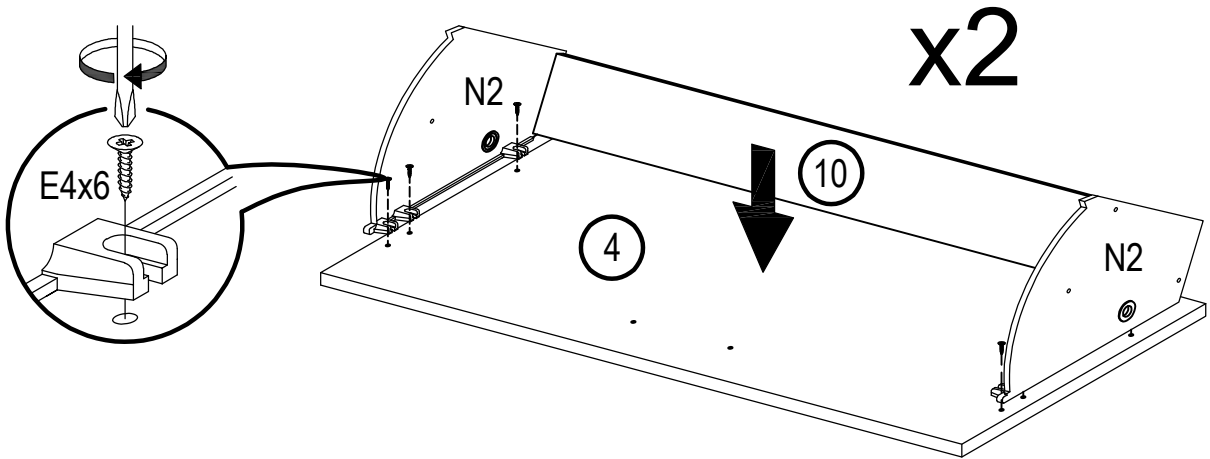




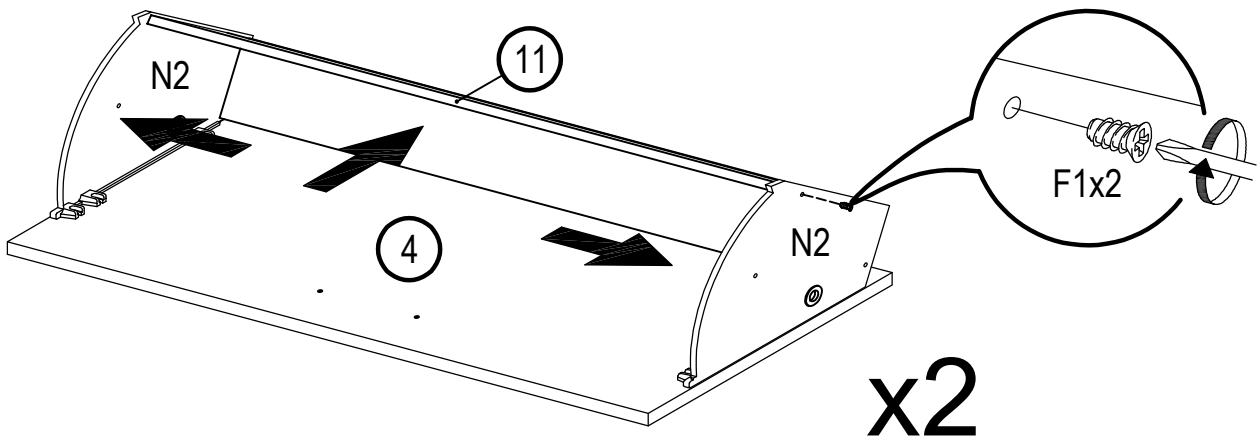
8



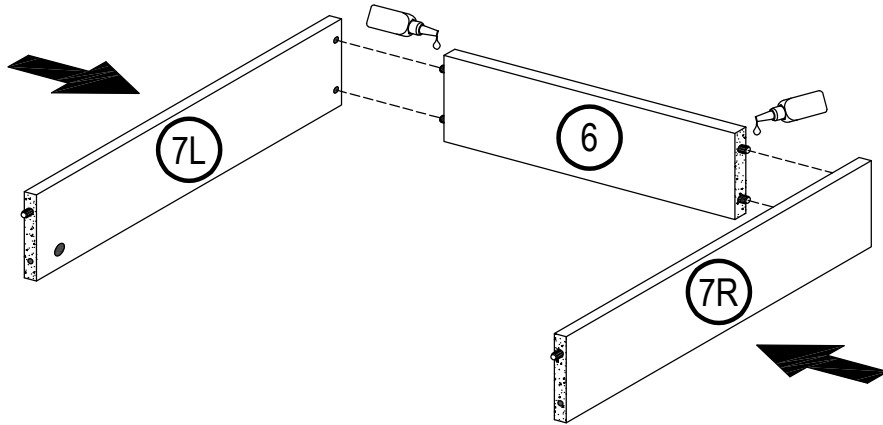
9



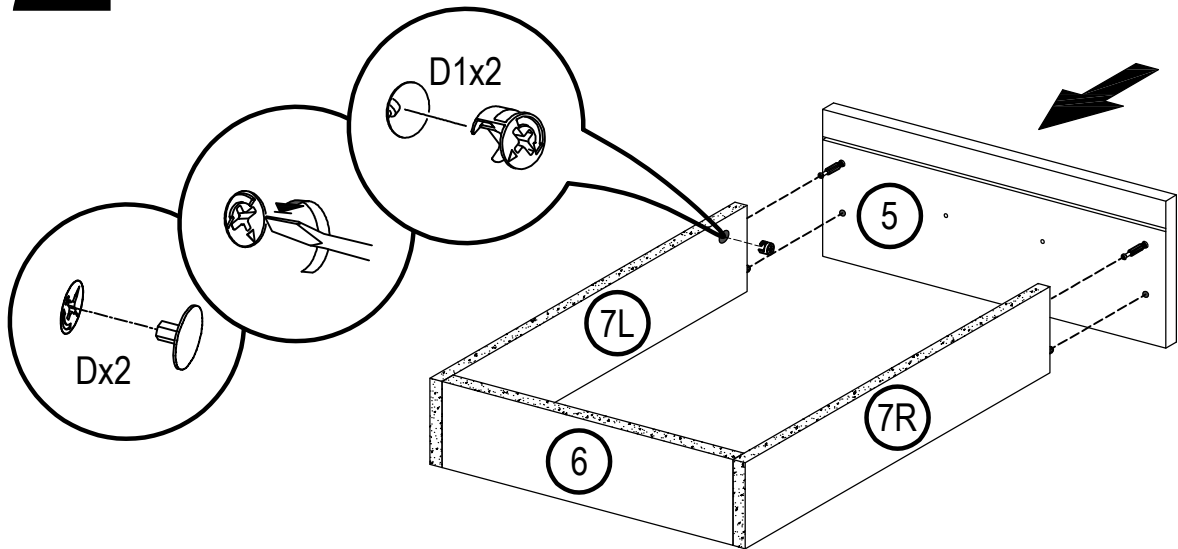
10



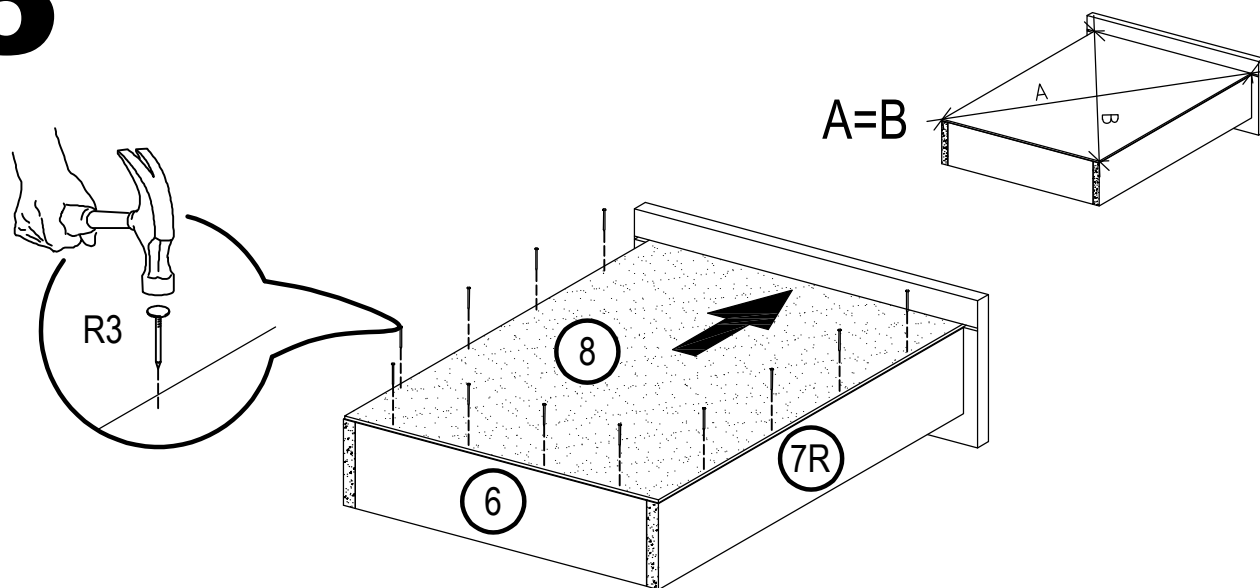
11



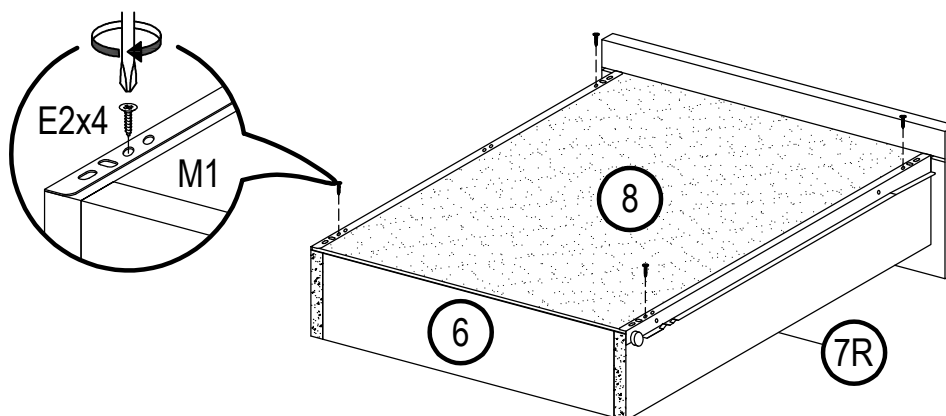
12



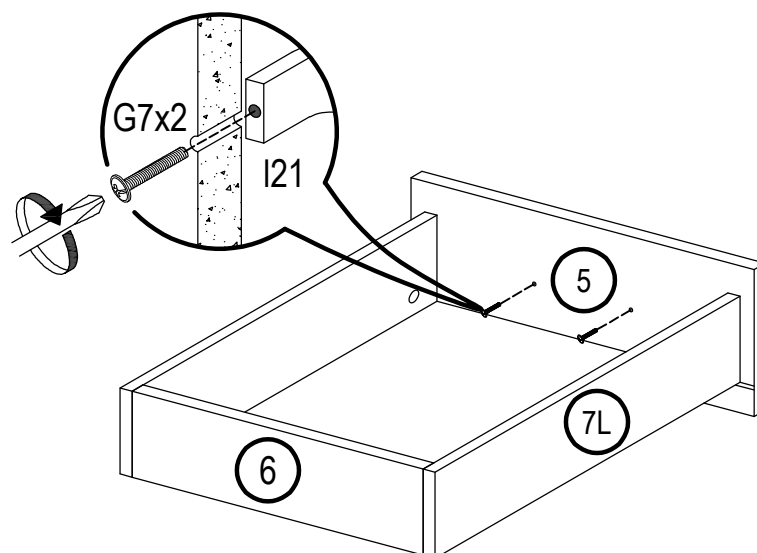
13



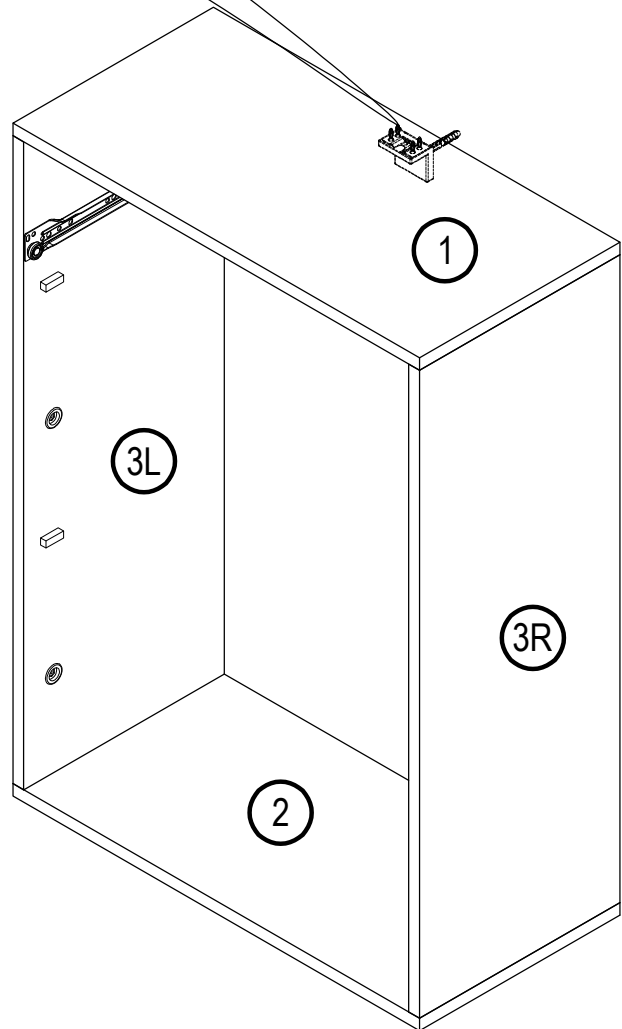
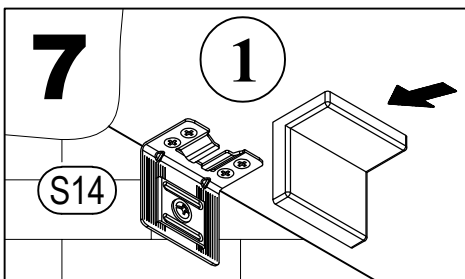
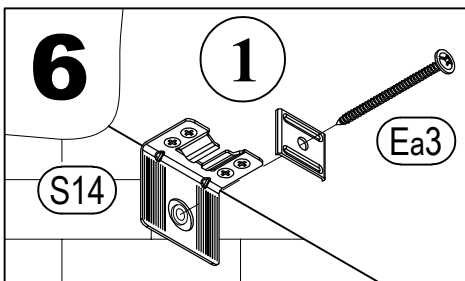
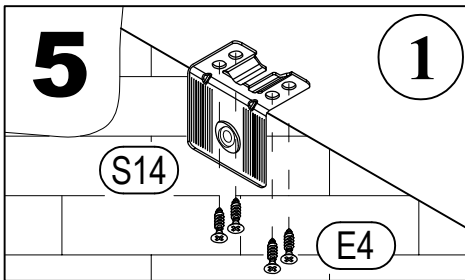
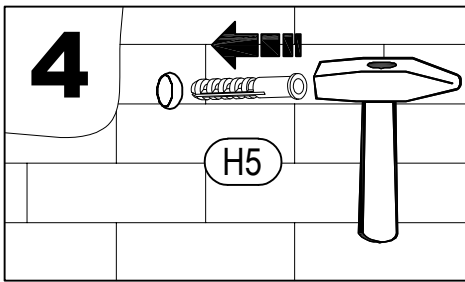
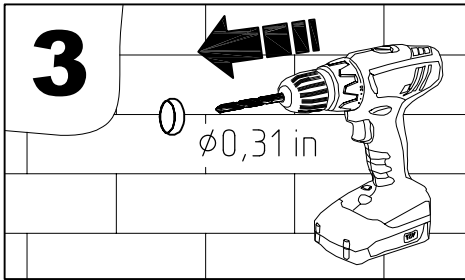
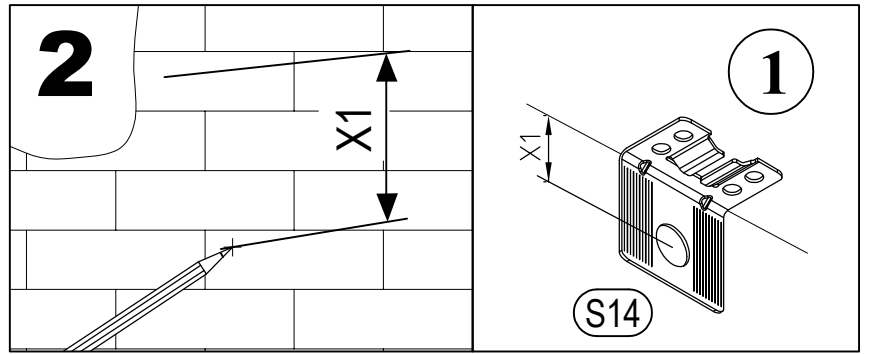
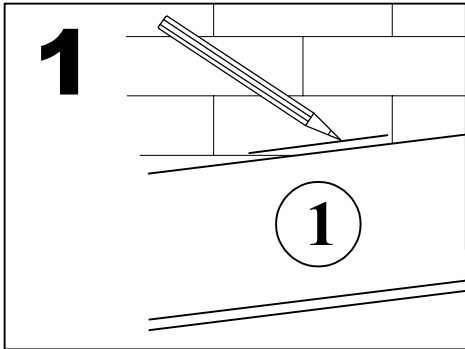
14



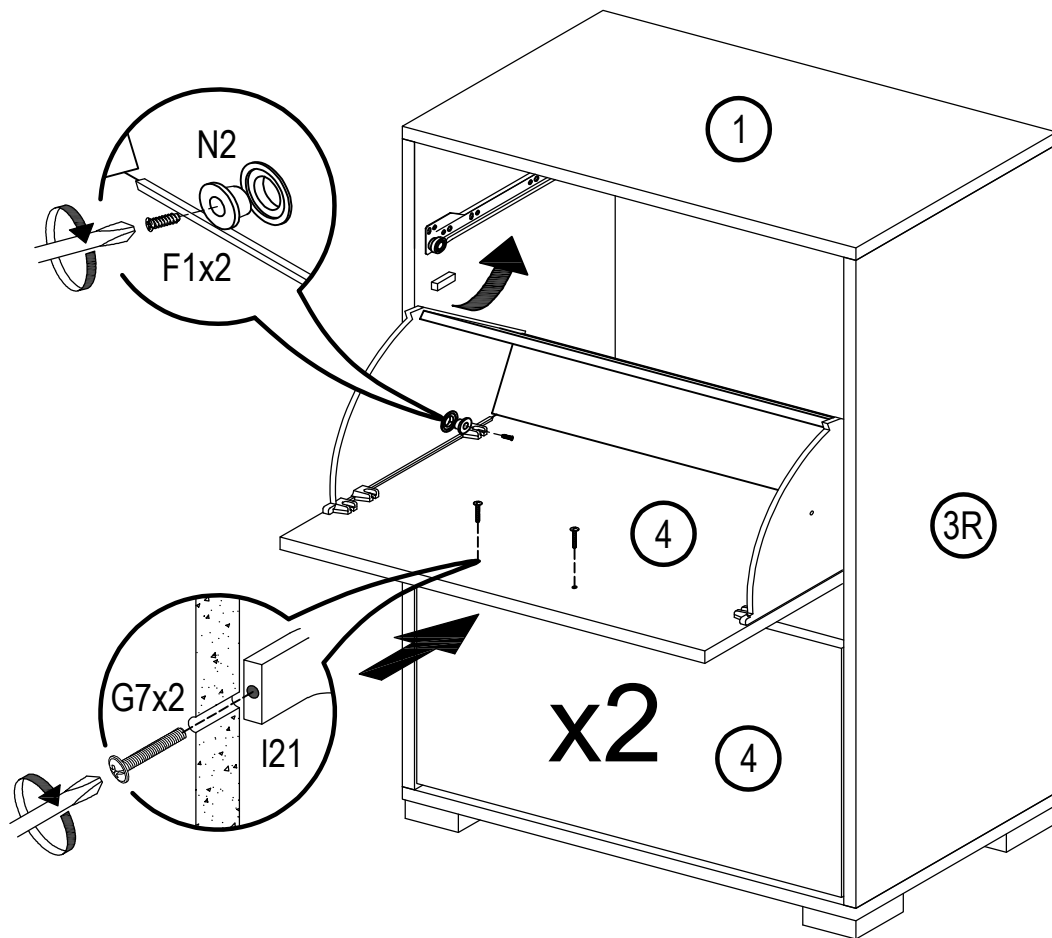
15



16



17



18

