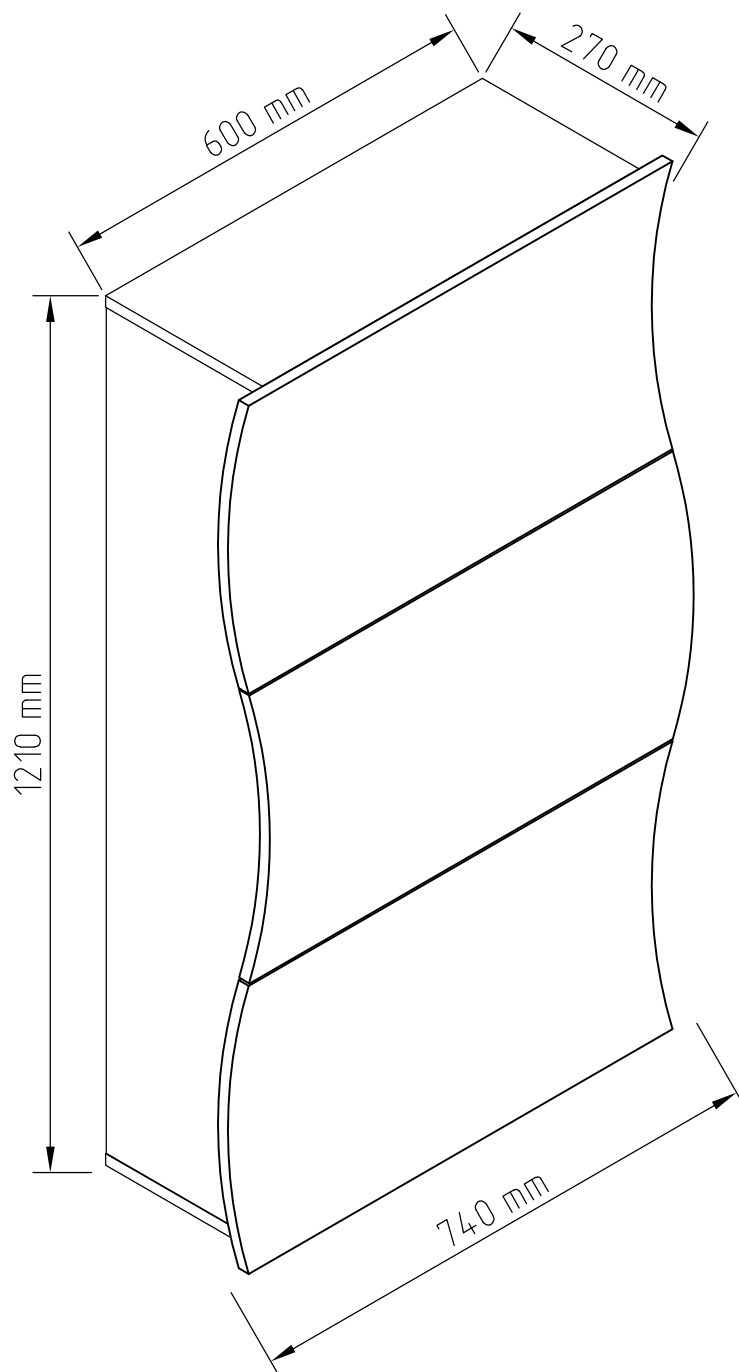
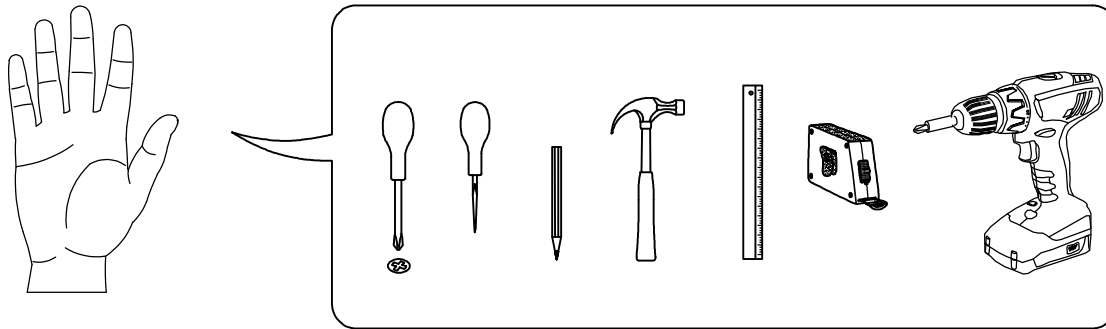
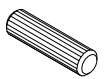

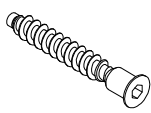
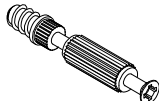



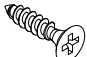

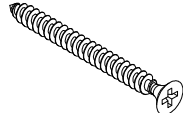


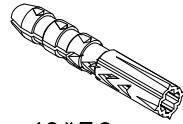

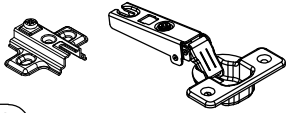
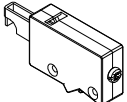
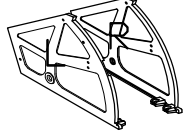


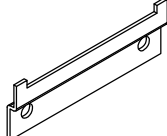
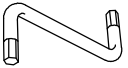

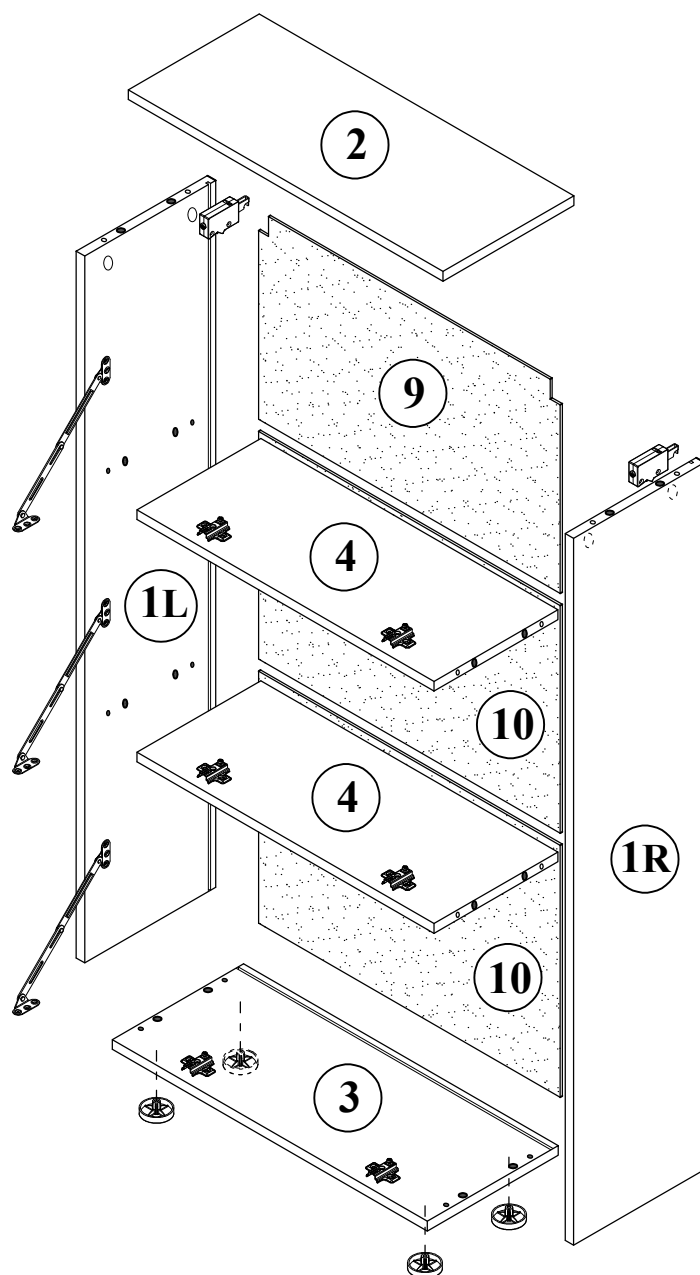
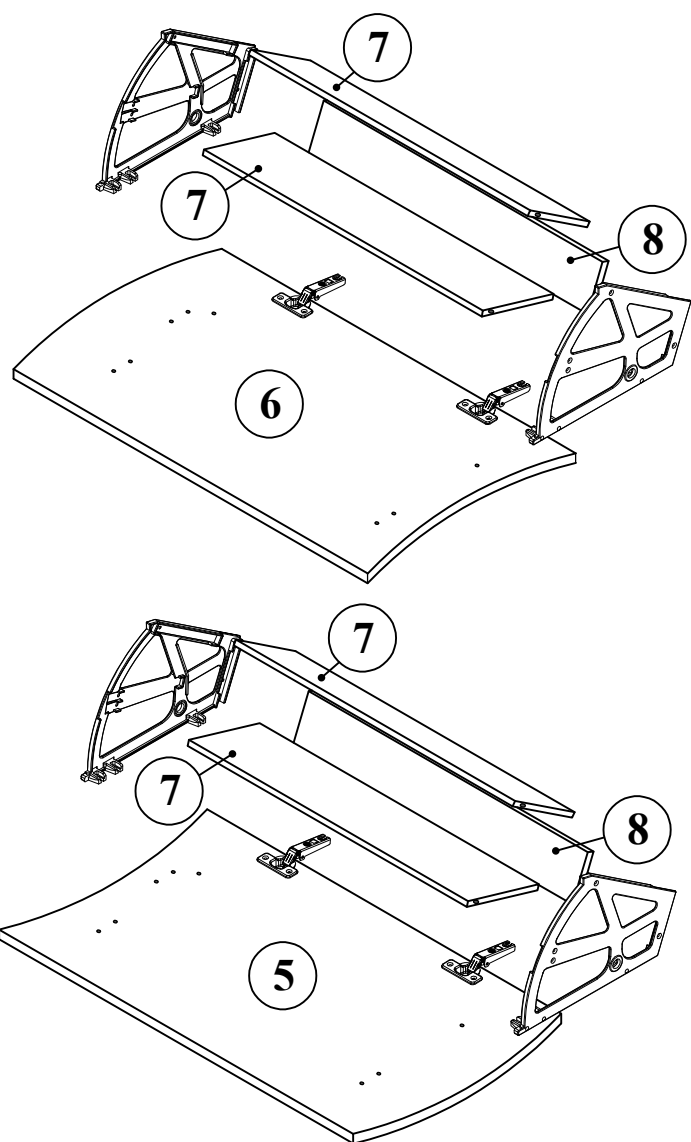
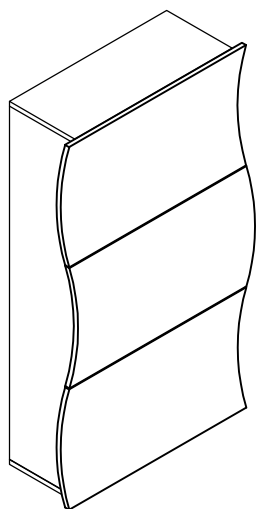


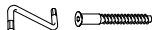
Wave 3D

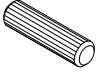
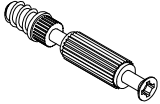
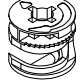




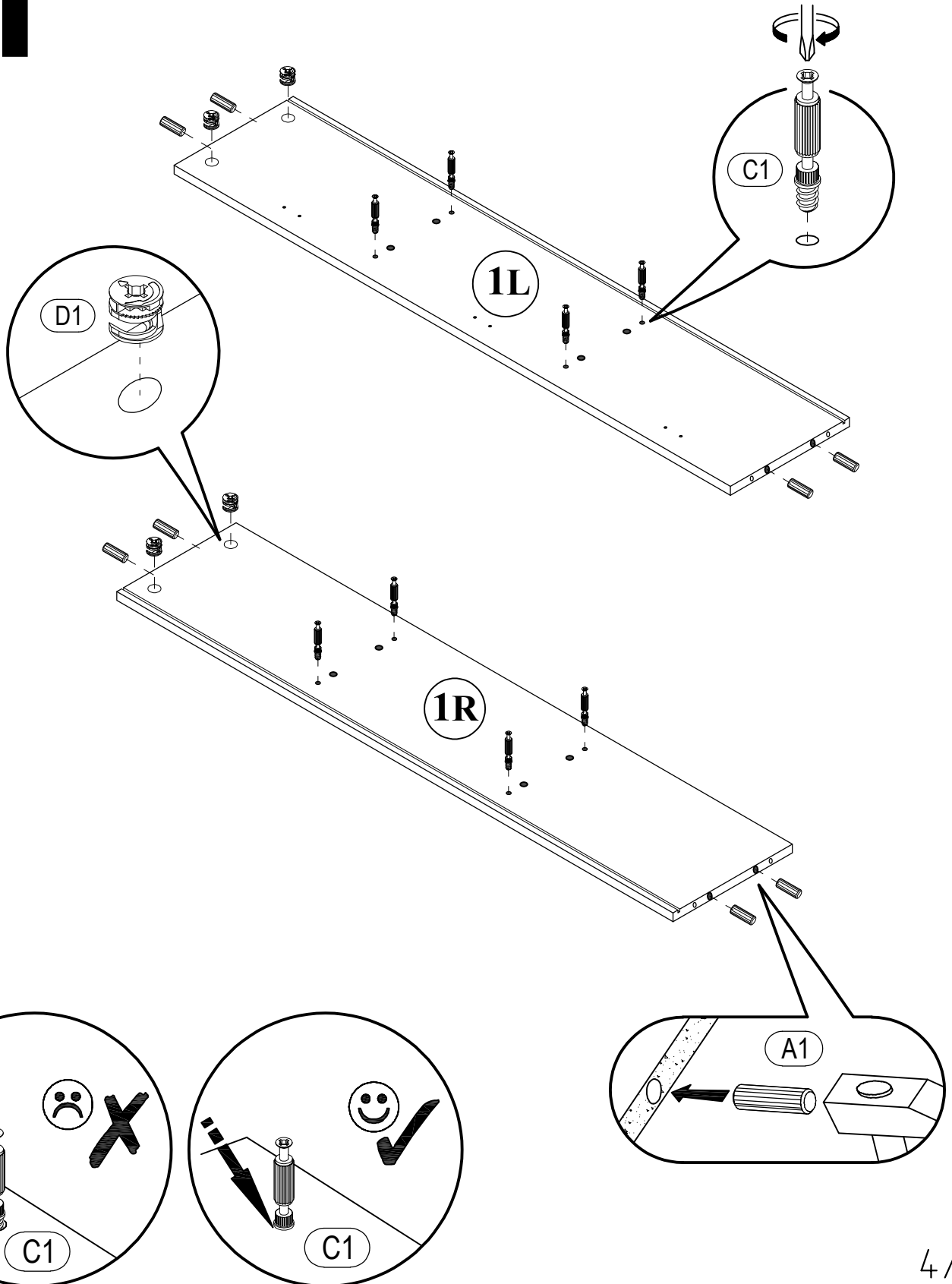
 A1 8*30mm x16	 B ϕ 12mm x4	 B1 6,3*50mm x4
 C1 6*43mm x12	 D ϕ 20mm x12	 D1 15/16 x12
 E5 3*20mm x4	 E6 3,5*16mm x48	 E15 4*30mm x4
 E25 6*60mm x4	 F4 6,3*13mm x30	 H2 RV-8 x8
 H6 10*50mm x4	 K5 x4	 L1 x6
 N1 x2	 N2 x3	 N12 x3
 O1 x4	 O4 x2	 R4 N°4 x1
 U3 x6		



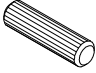
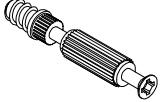
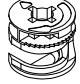
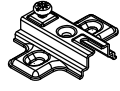

No	a*b	x	N°→...	No	a*b	x	N°→...
1L	1167x250	x1	1/2	6	708x397	x2	2/2
1R	1167x250	x1	1/2	7	532x142	x6	2/2
2	600x250	x1	1/2	8	532x90	x3	2/2
3	600x250	x1	1/2	9	575x381	x1	2/2
4	566x236	x2	1/2	10	575x396	x2	2/2
5	708x397	x1	2/2			x1	2/2

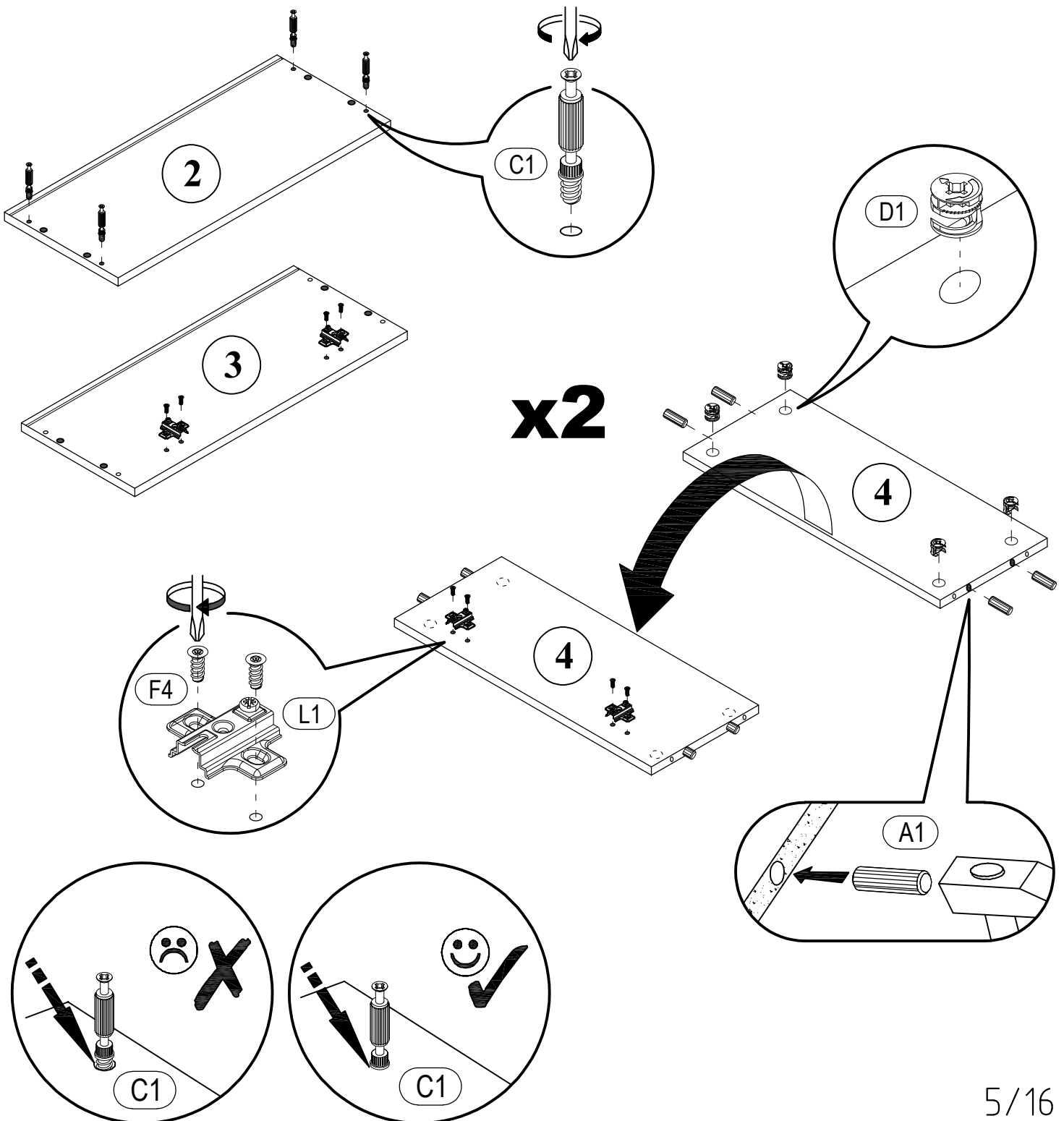
 (A1) 8*30mm x8	 (C1) 6*43mm x8	 (D1) 15/16 x4
---	---	--

1

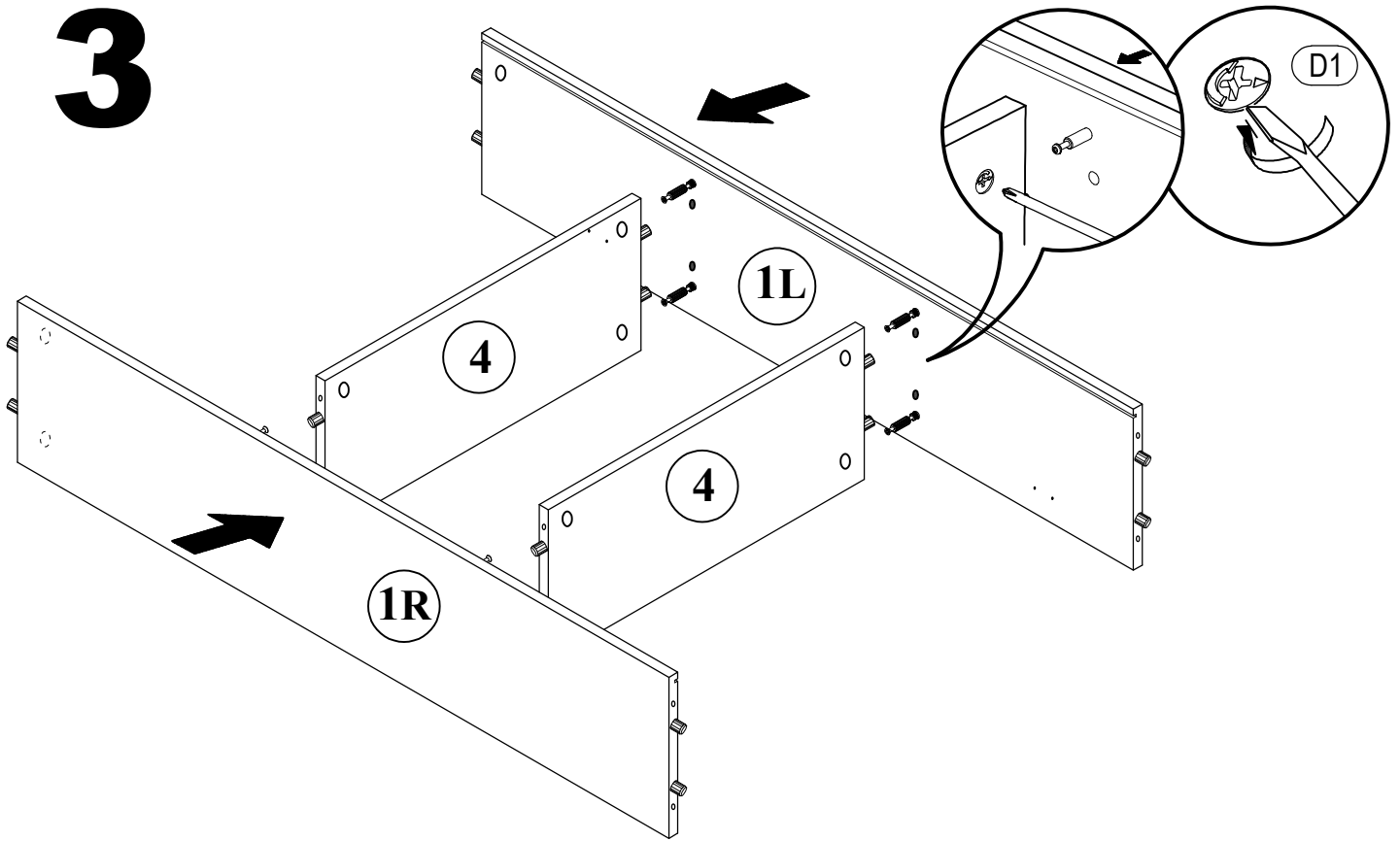


2

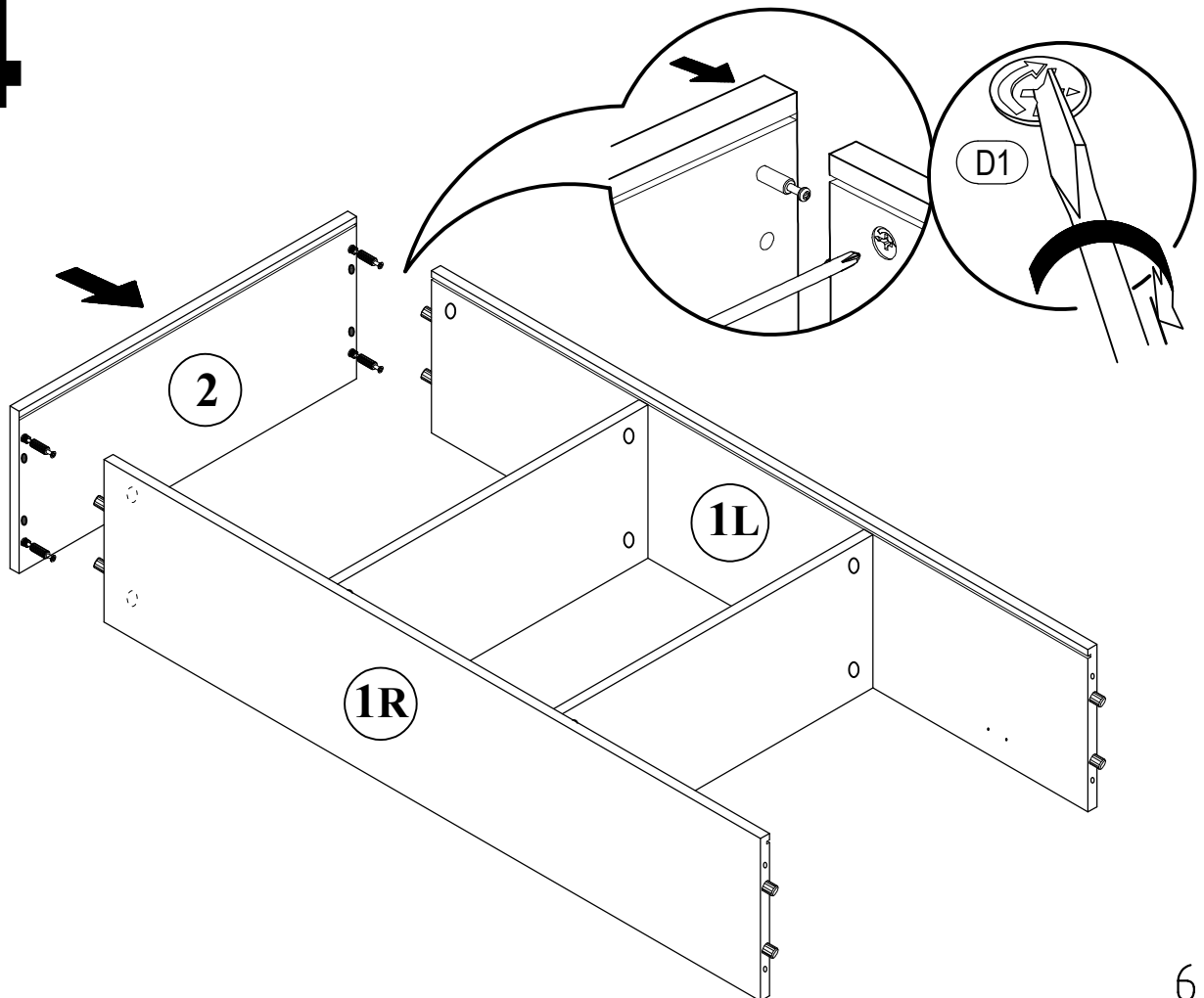
 A1 8*30mm x8	 C1 6*43mm x4	 D1 15/16 x8
 L1 x6		 F4 6,3*13mm x12


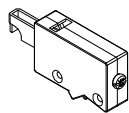


3

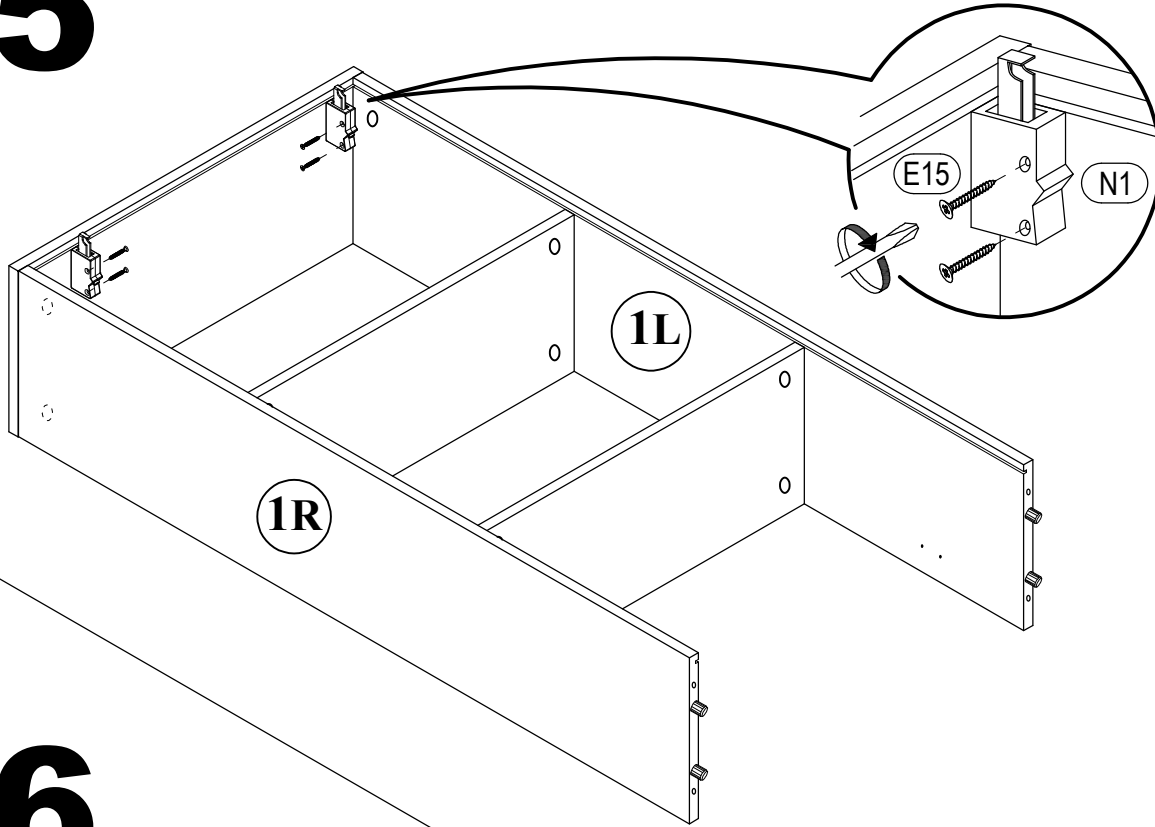


4

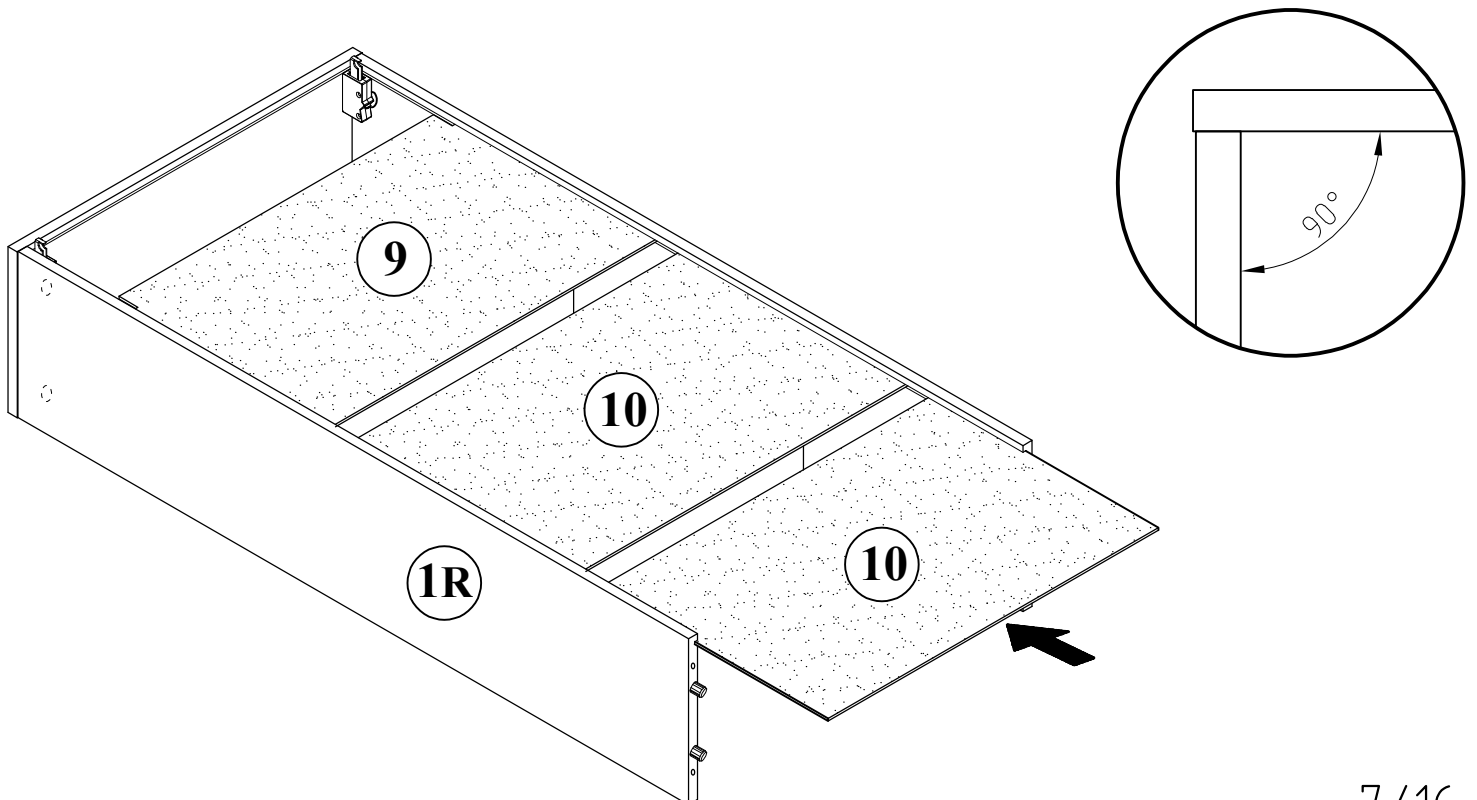


	
(E15) 4*30mm x4	(N1) x2

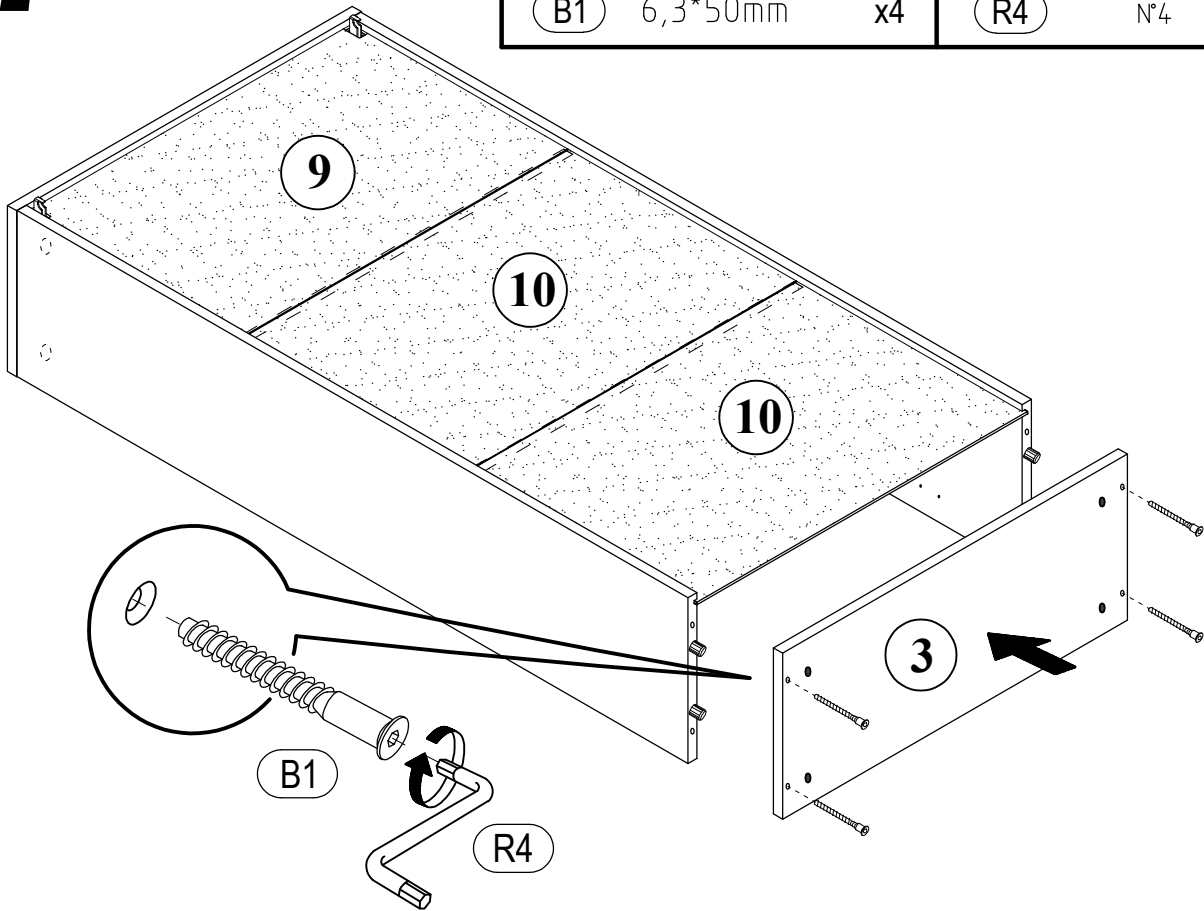
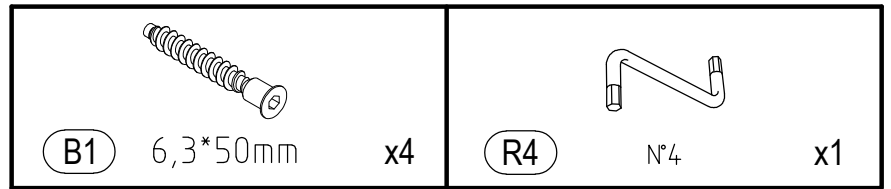
5



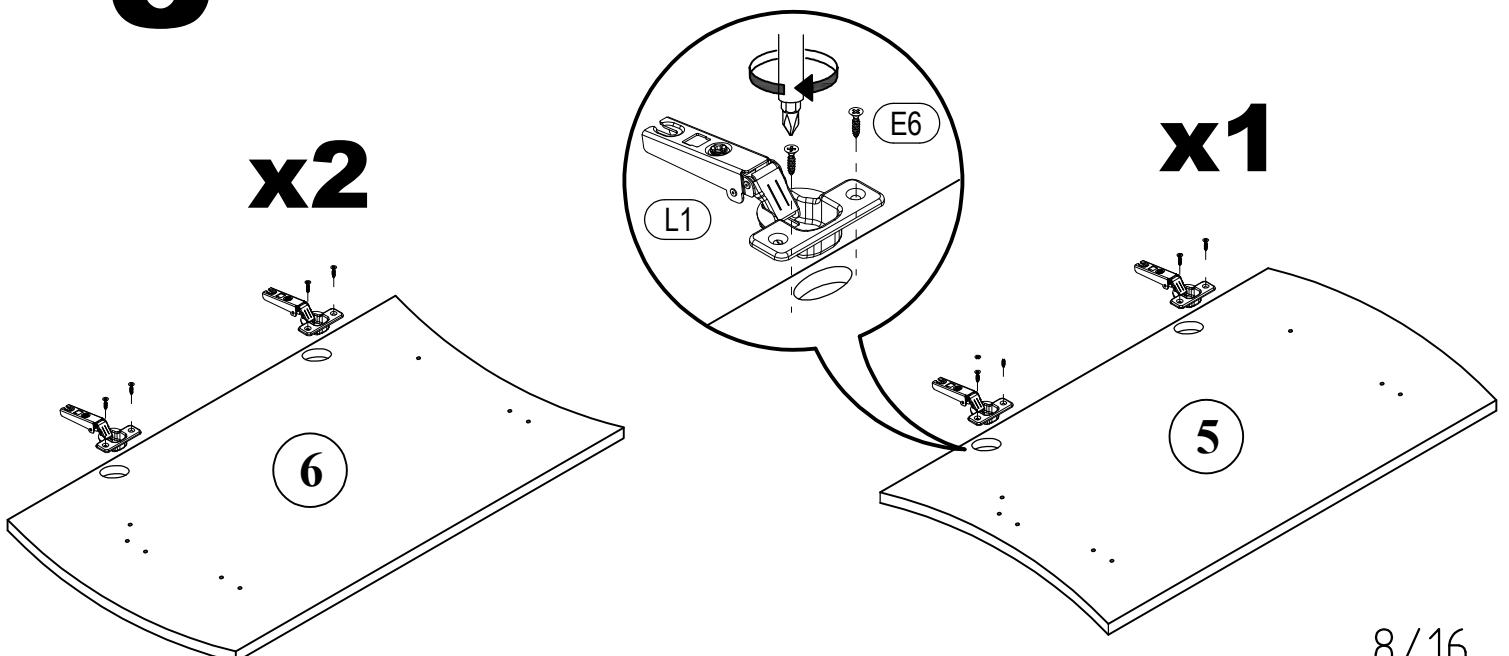
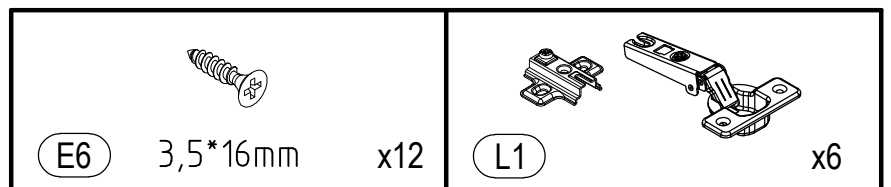
6



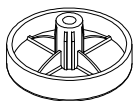



7

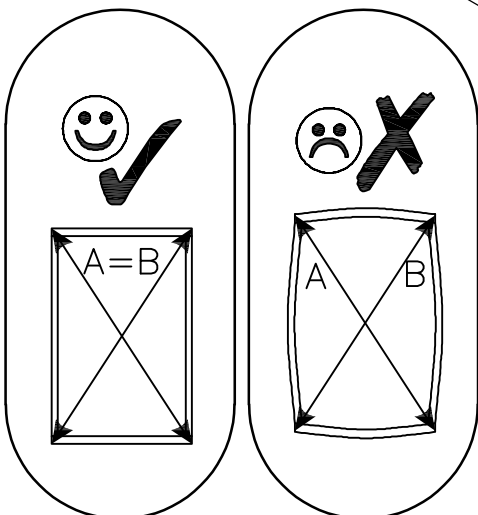
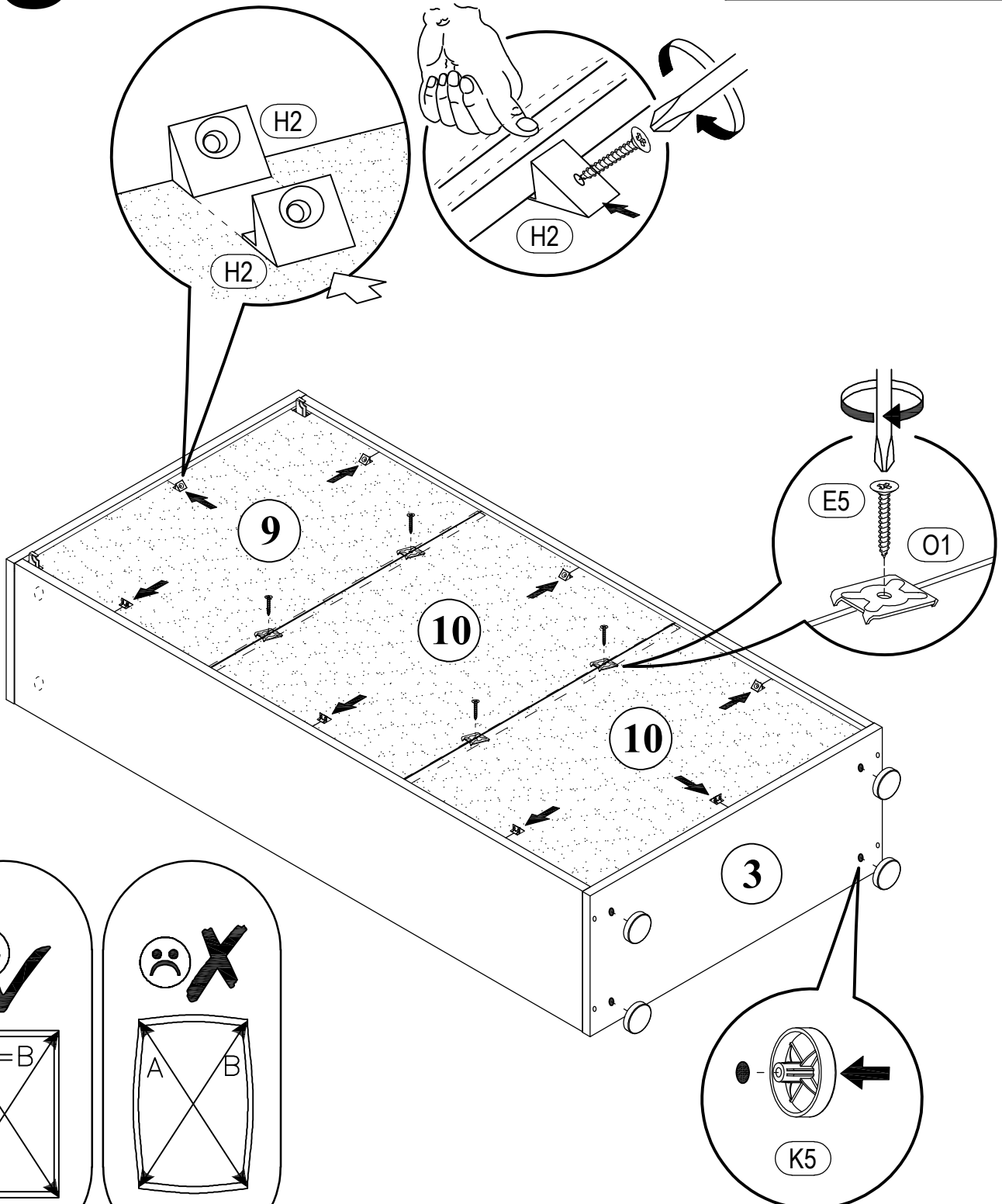


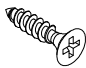

8



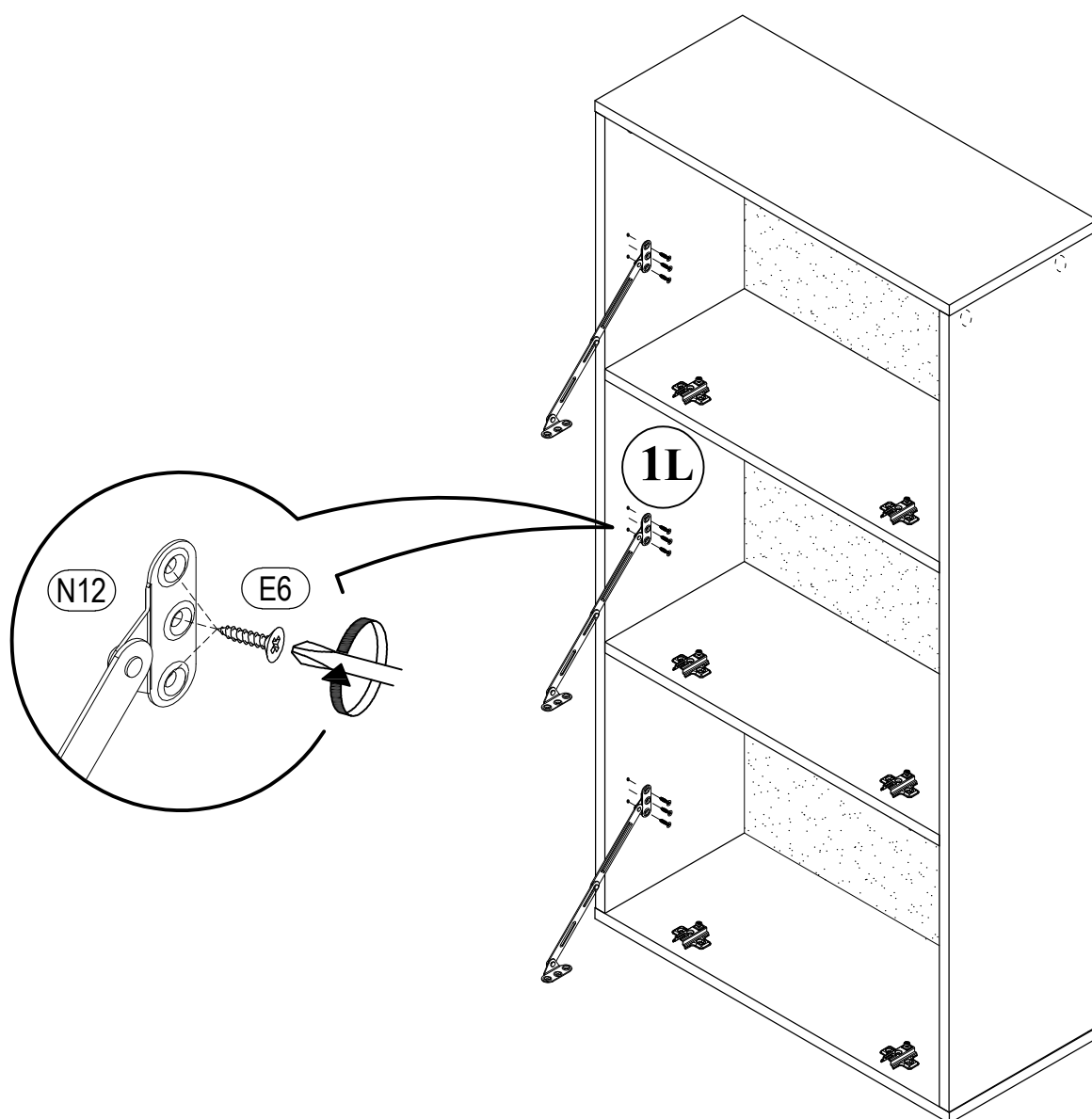
 E5 3*20mm x4	 H2 RV-8 x8	 K5 x4
		 O1 x4

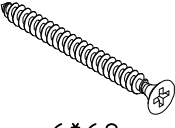
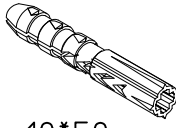
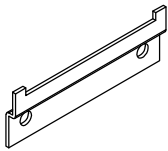
9



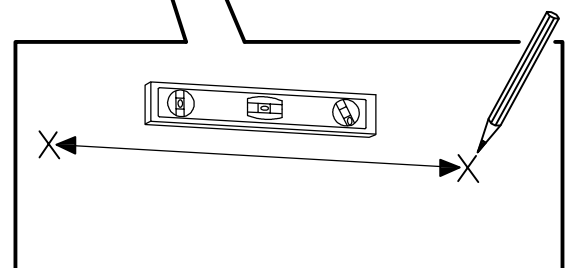
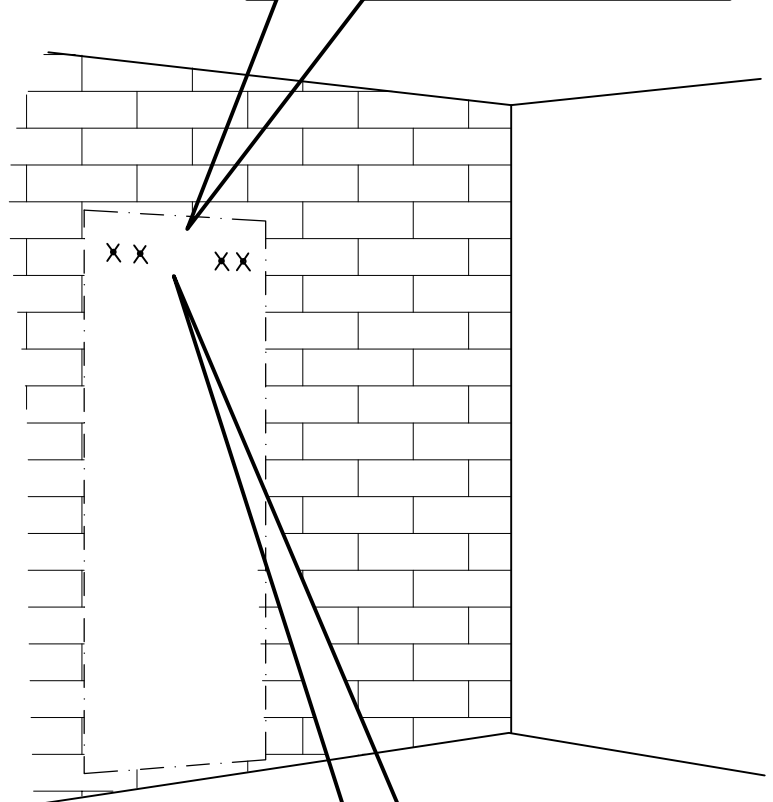
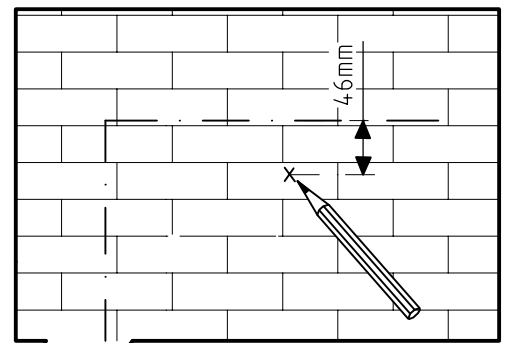
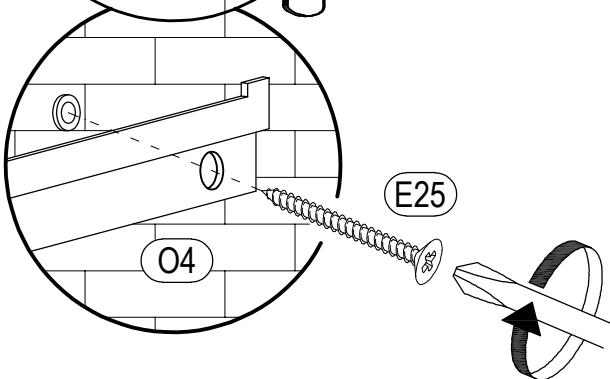
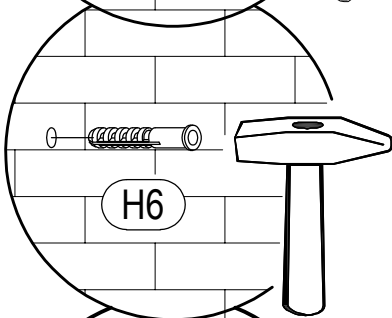
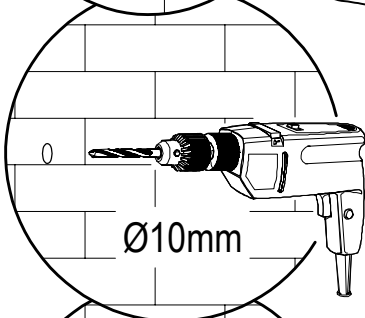
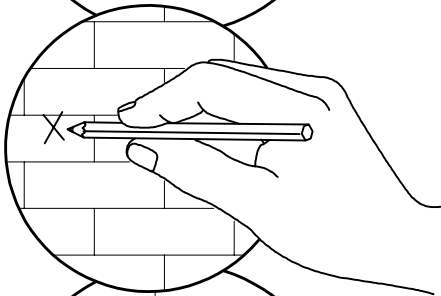
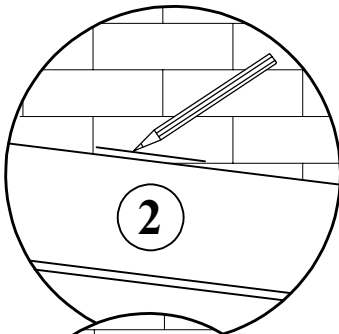
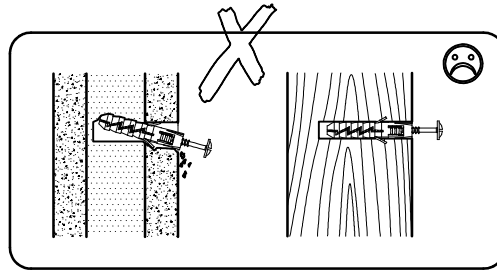
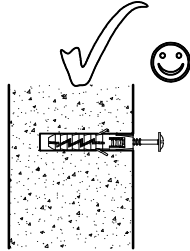
	
(E6) 3,5*16mm x9	(N12) x3

10

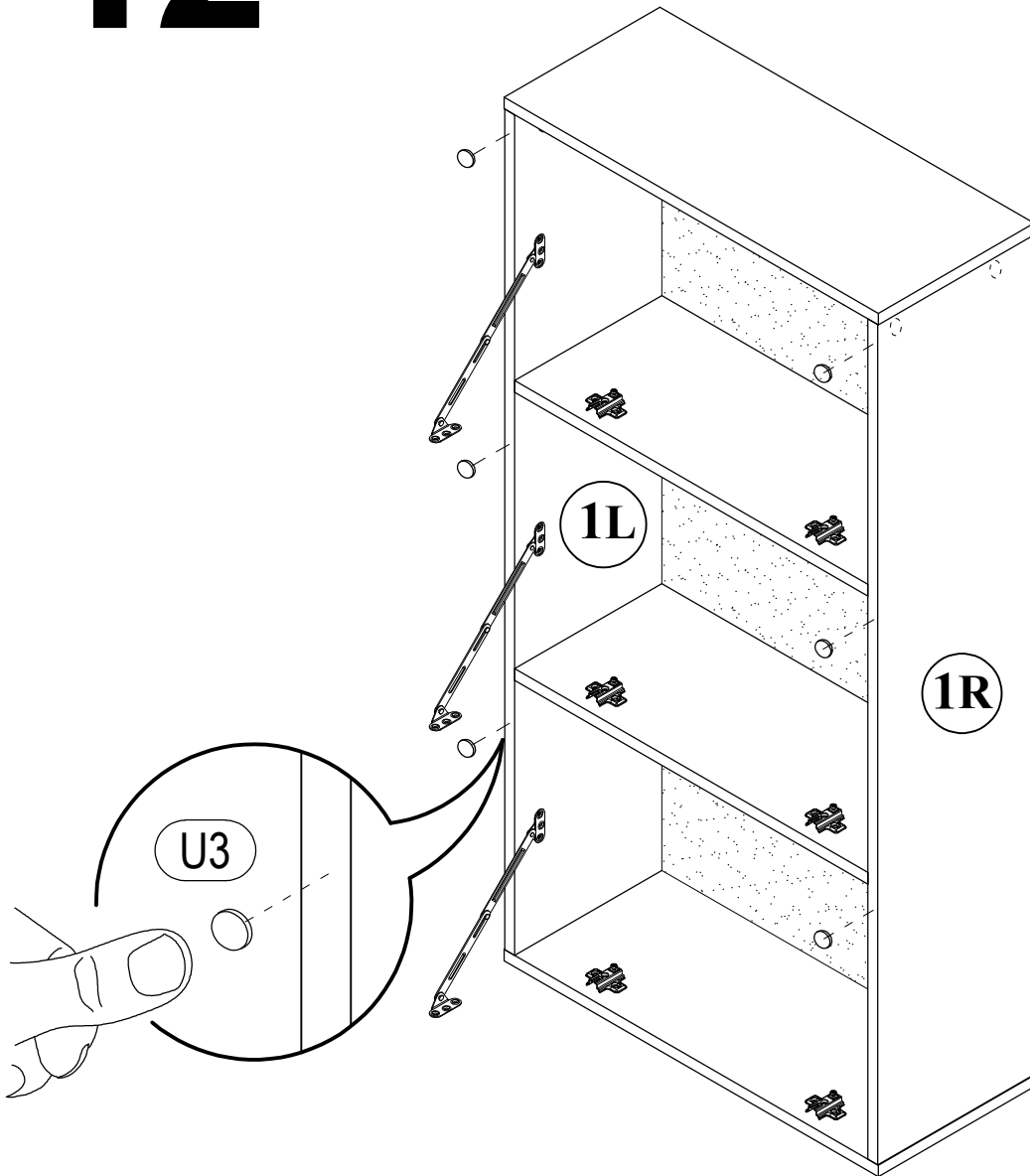





 E25 6*60mm x4	 H6 10*50mm x4	 O4 x2
--	--	--

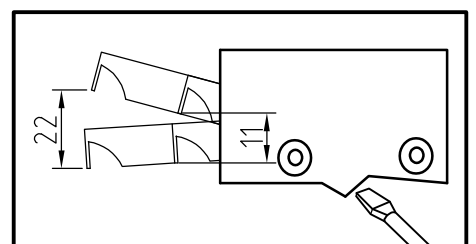
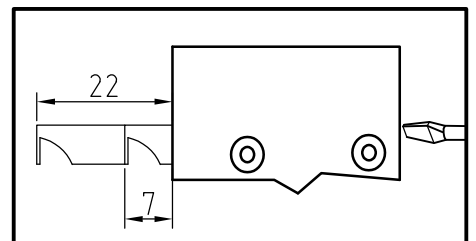
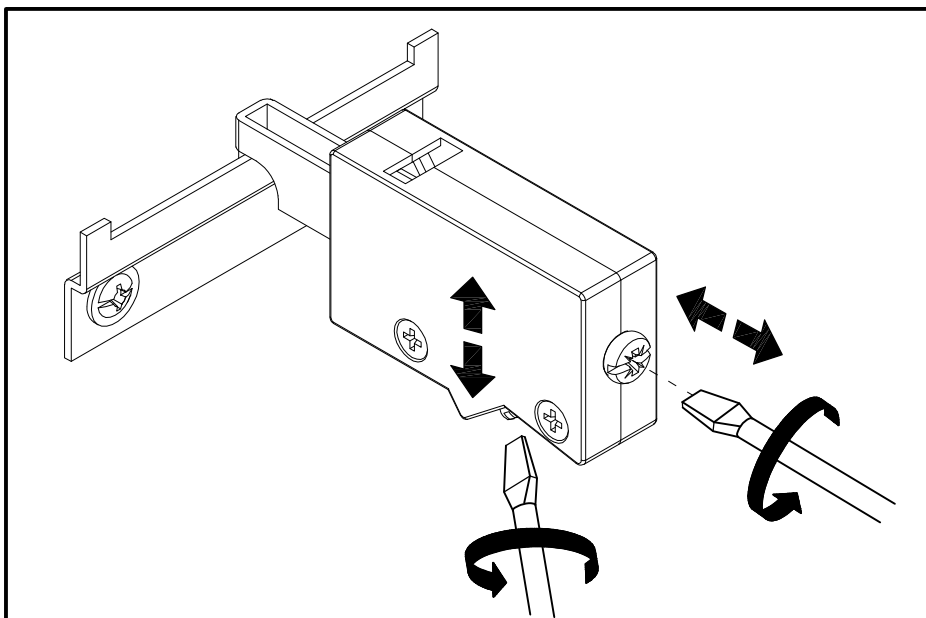
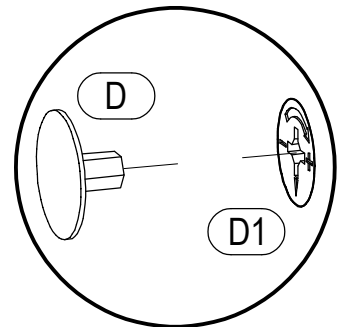
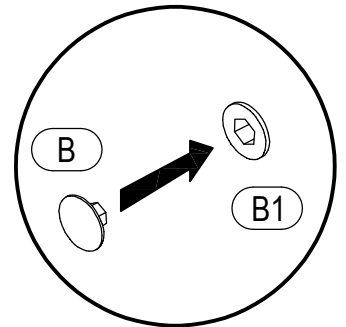
11

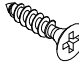

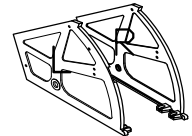


12



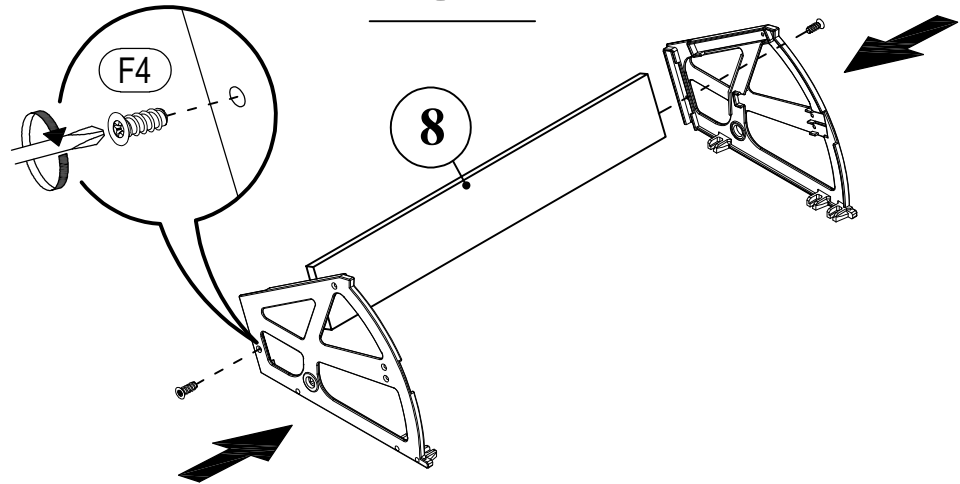
	B	∅12mm	x4
	D	∅20mm	x12
	U3		x6



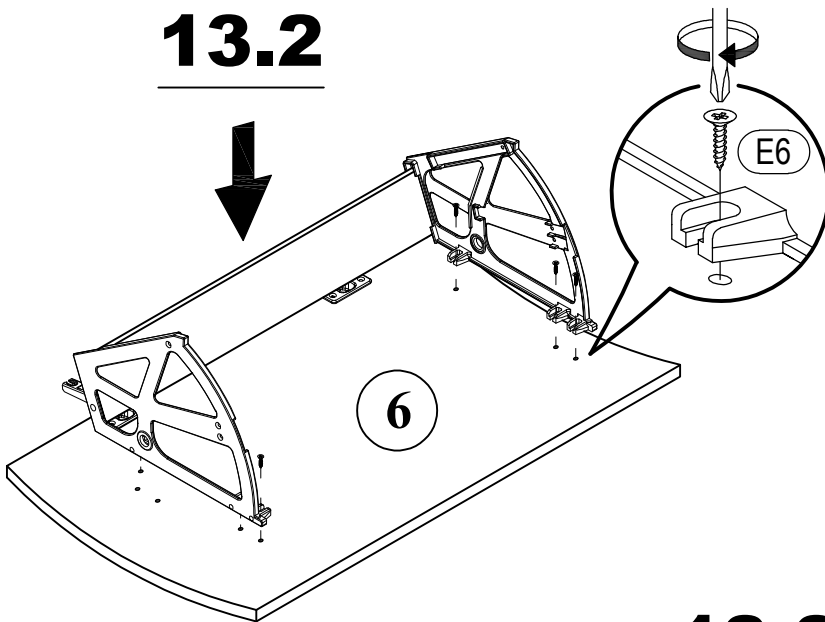
 E6 3,5*16mm x18	 F4 6,3*13mm x18	 N2 x3
---	---	---

13

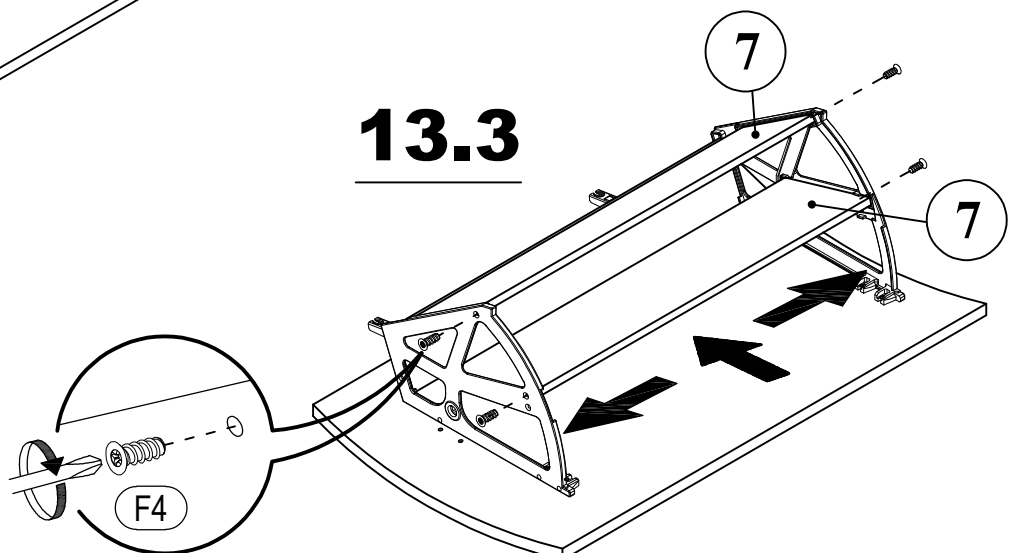
13.1



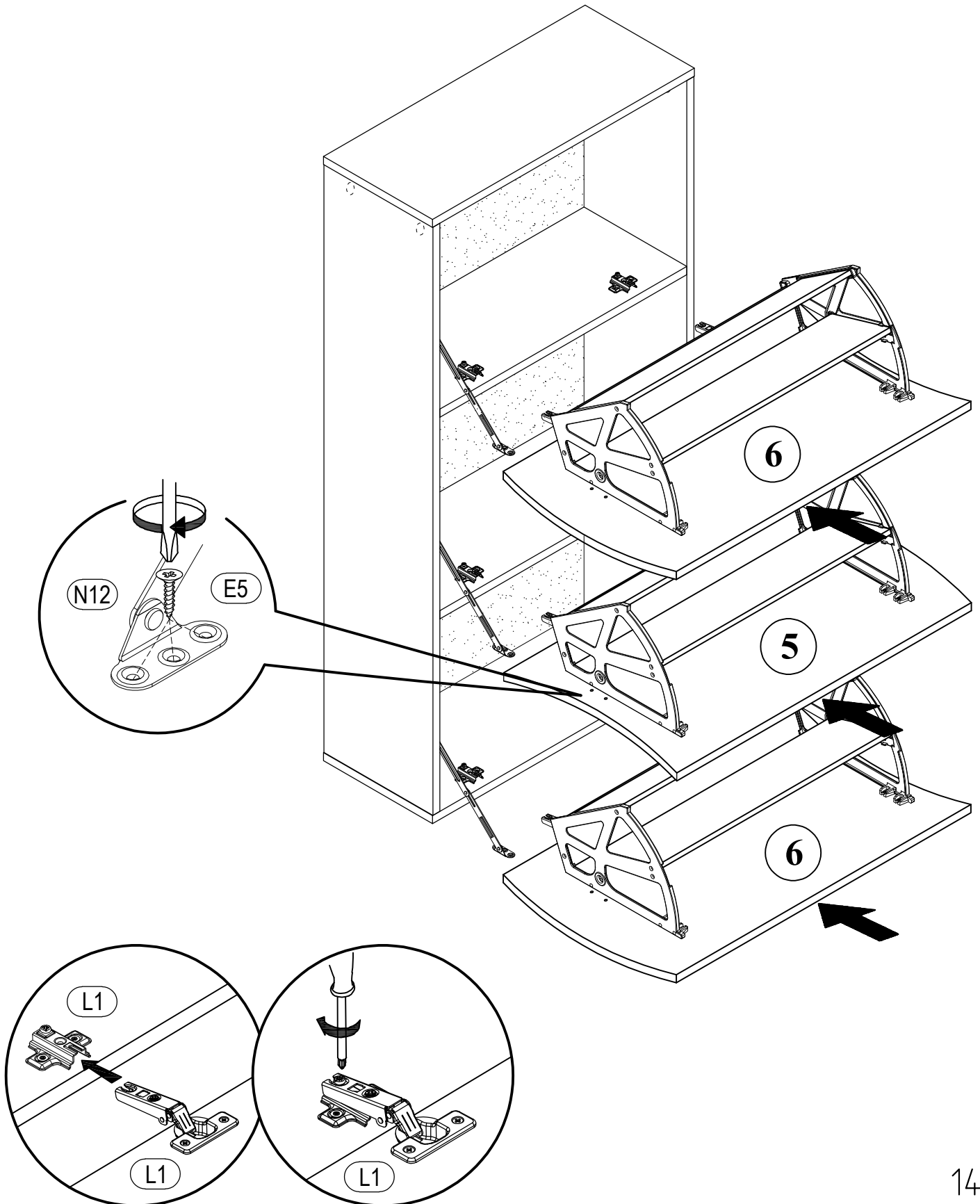
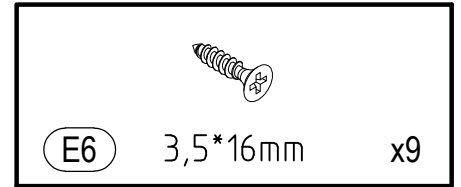
13.2



13.3



14



15

