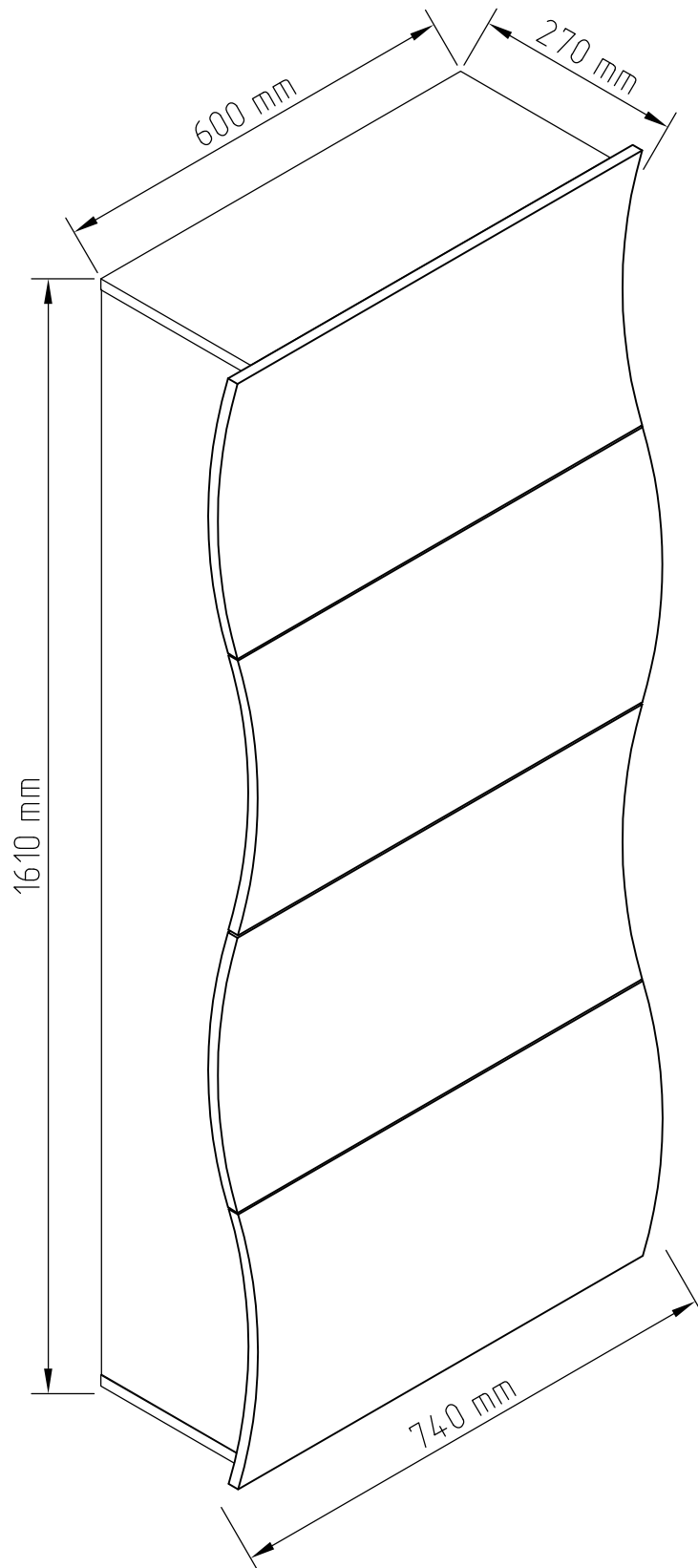
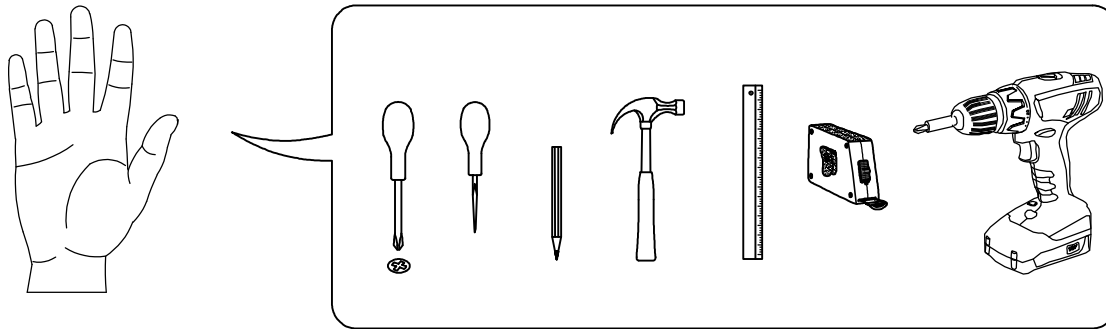
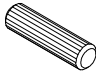

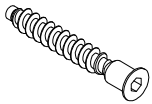
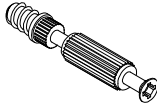


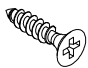

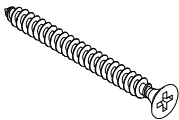



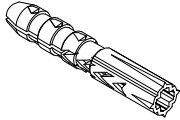
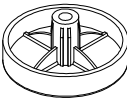
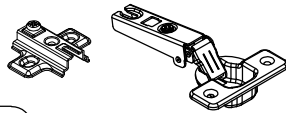
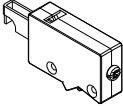
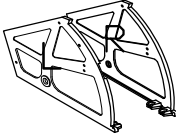

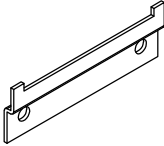
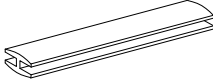
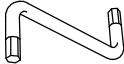



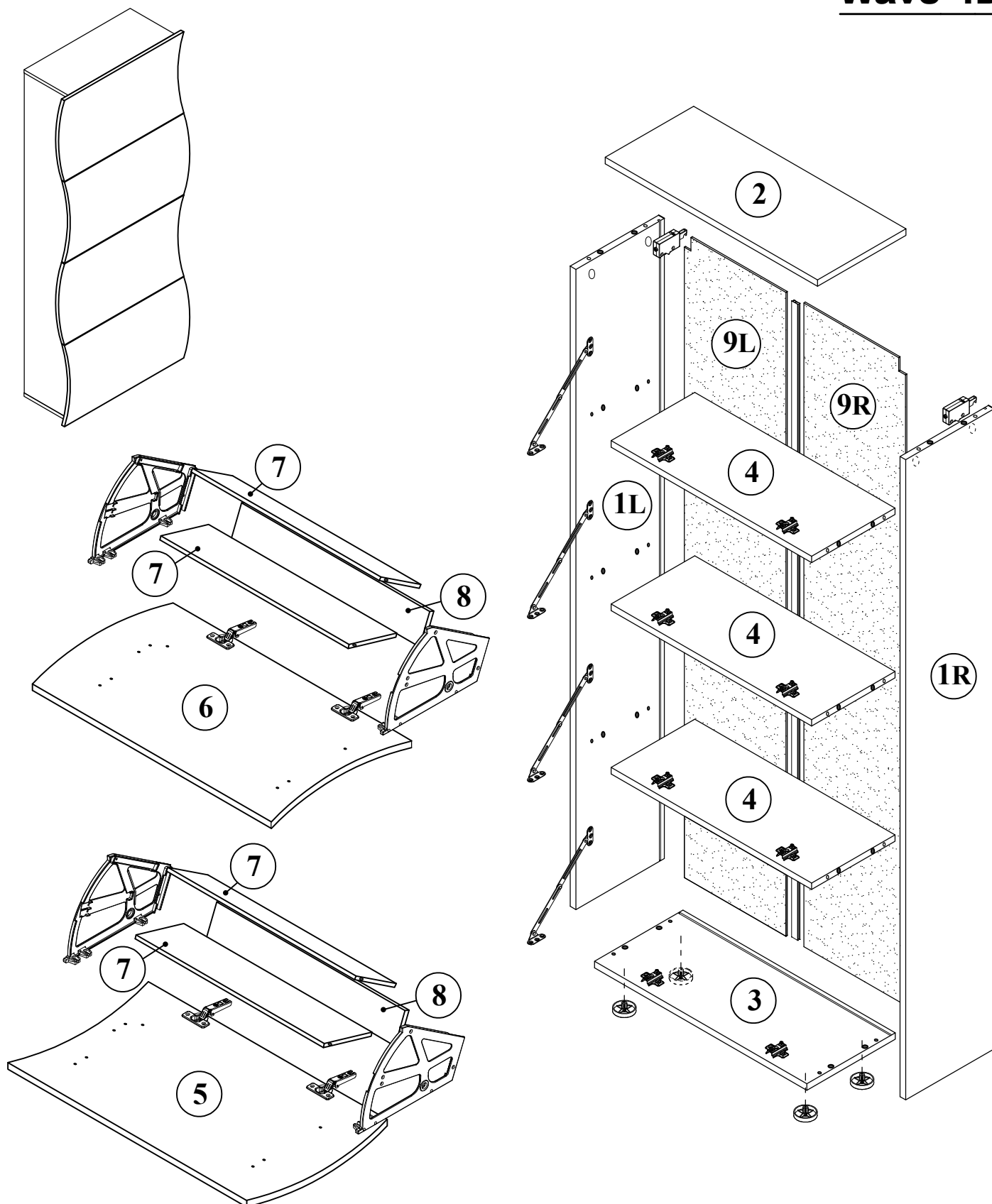
# Wave 4D

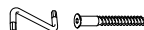
---

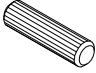
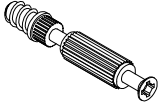





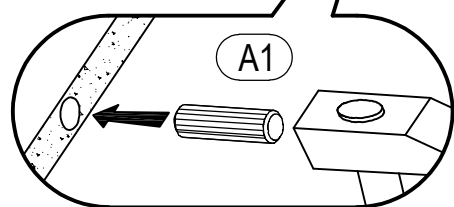
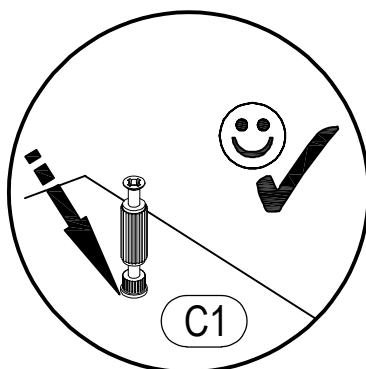
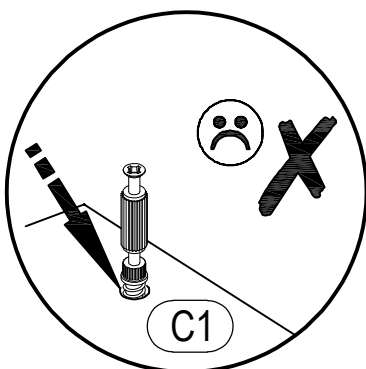
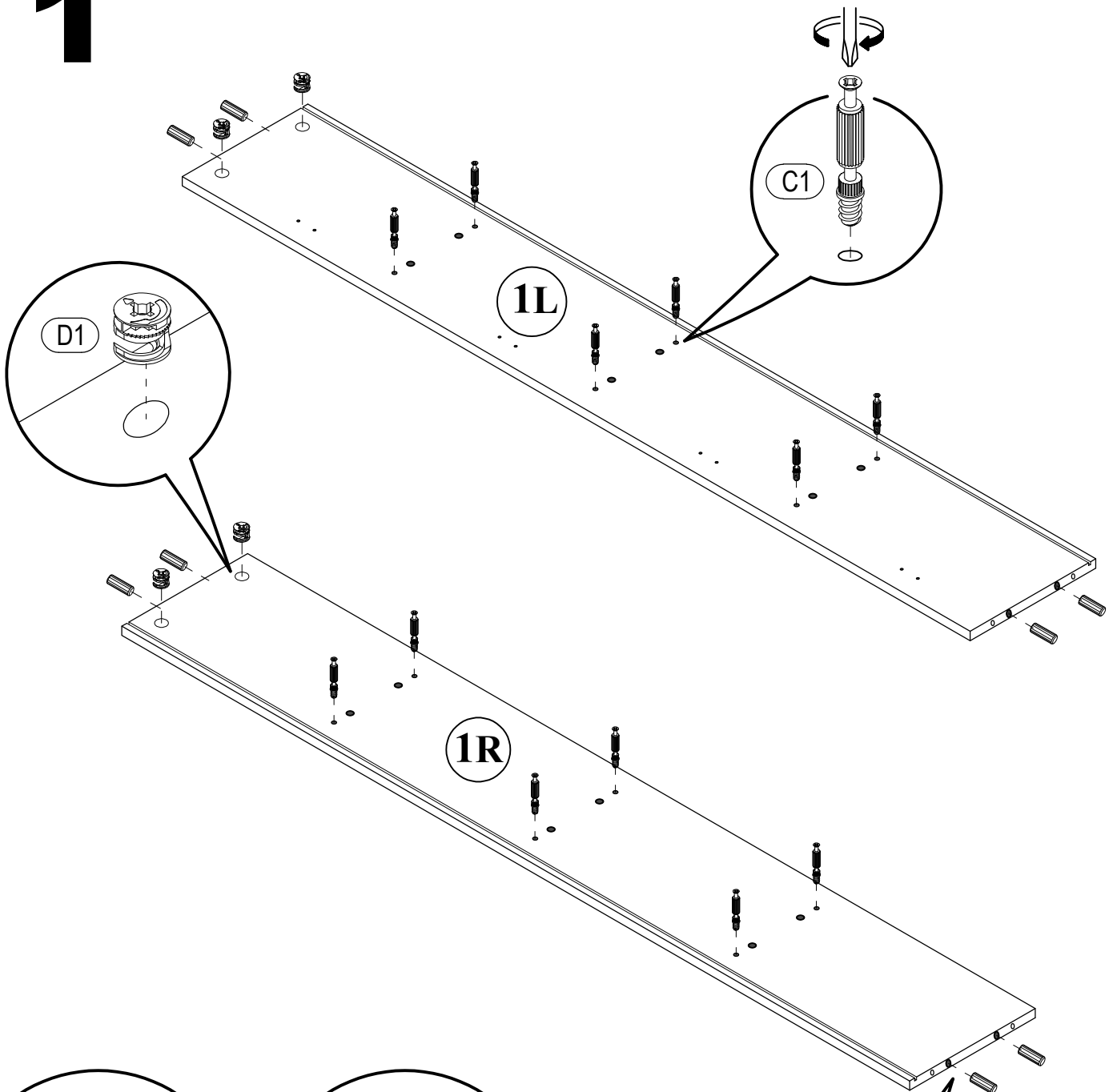
 <b>A1</b> 8*30mm x20	 <b>B</b> ø12mm x4	 <b>B1</b> 6,3*50mm x4
 <b>C1</b> 6*43mm x16	 <b>D</b> ø20mm x16	 <b>D1</b> 15/16 x16
 <b>E6</b> 3,5*16mm x64	 <b>E15</b> 4*30mm x4	 <b>E25</b> 6*60mm x4
 <b>E-2</b> 4,2*16mm x2	 <b>F4</b> 6,3*13mm x40	 <b>H2</b> RV-8 x10
 <b>H6</b> 10*50mm x4	 <b>K5</b> x4	 <b>L1</b> x8
 <b>N1</b> x2	 <b>N2</b> x4	 <b>N12</b> x4
 <b>O4</b> x2	 <b>O8</b> L-1566 mm x1	 <b>R4</b> N°4 x1
 <b>U3</b> x8		



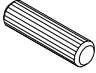
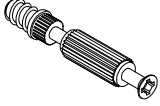
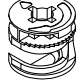
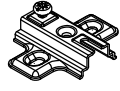

No	a*b	x	N°→...	No	a*b	x	N°→...
1L	1567x250	x1	1/2	6	708x397	x2	2/2
1R	1567x250	x1	1/2	7	532x142	x8	2/2
2	600x250	x1	1/2	8	532x90	x4	2/2
3	600x250	x1	1/2	9L	1576x287	x1	1/2
4	566x236	x3	1/2	9R	1576x287	x1	1/2
5	708x397	x2	2/2			x1	2/2

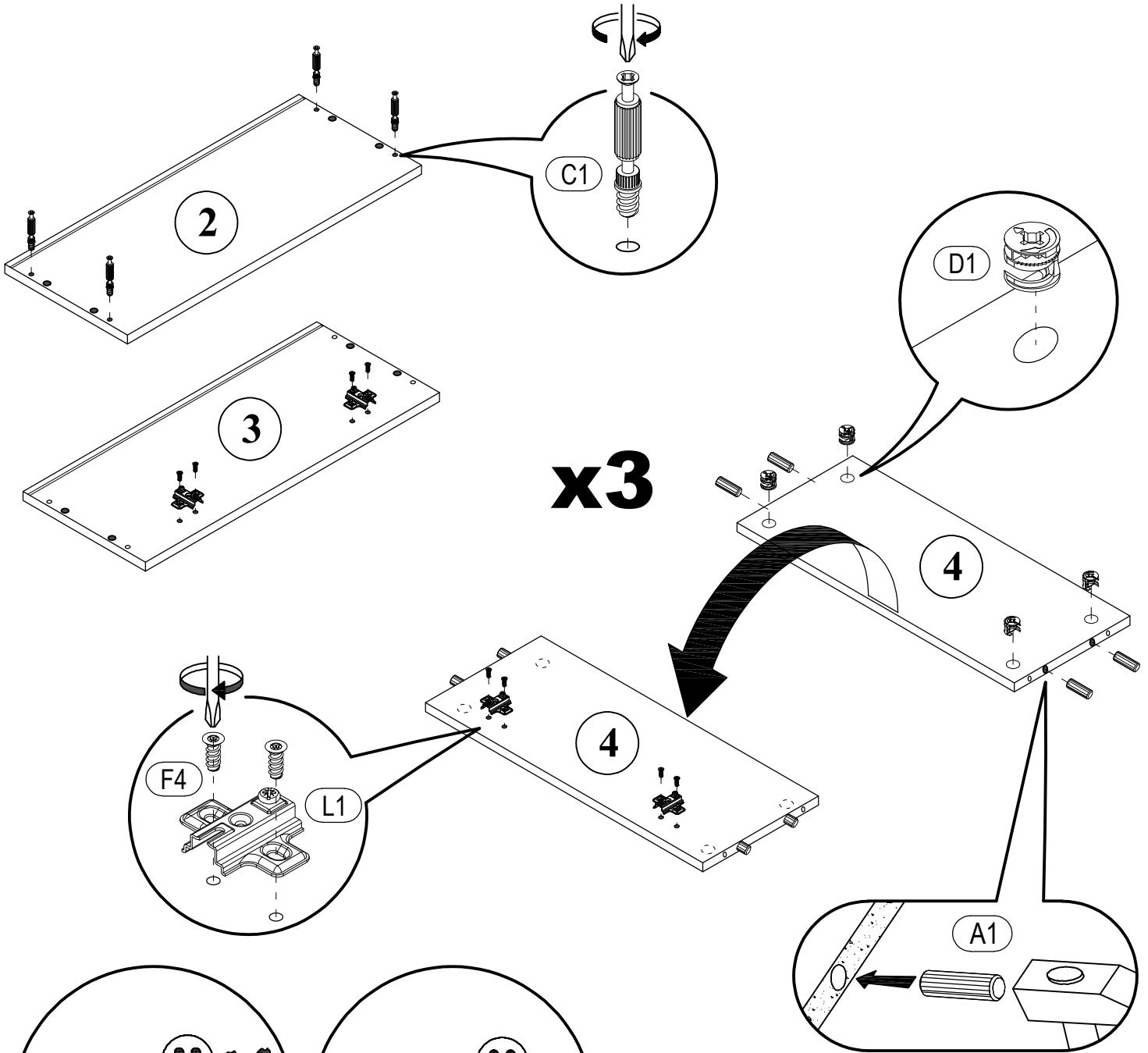
 <b>(A1)</b> 8*30mm x8	 <b>(C1)</b> 6*43mm x12	 <b>(D1)</b> 15/16 x4
--	---	---

# 1

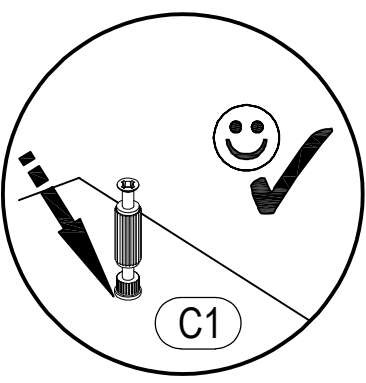
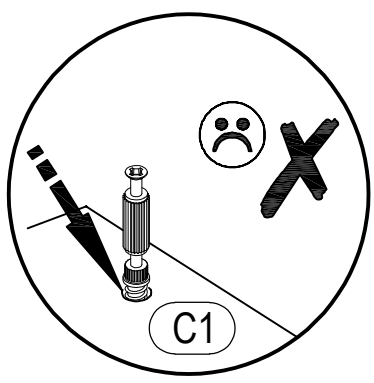


# 2

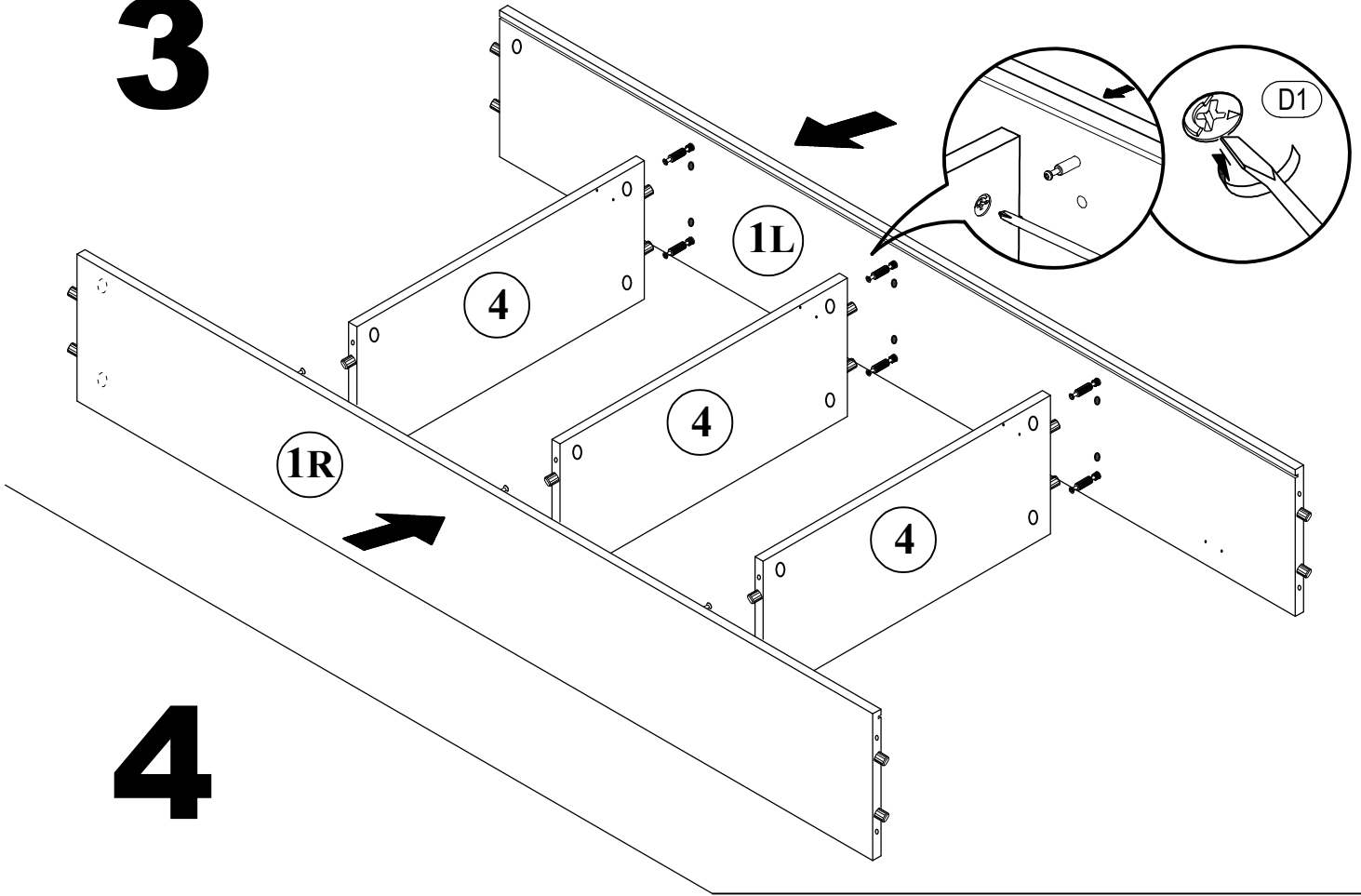
 <b>A1</b> 8*30mm x12	 <b>C1</b> 6*43mm x4	 <b>D1</b> 15/16 x12
 <b>L1</b> x8		 <b>F4</b> 6,3*13mm x16



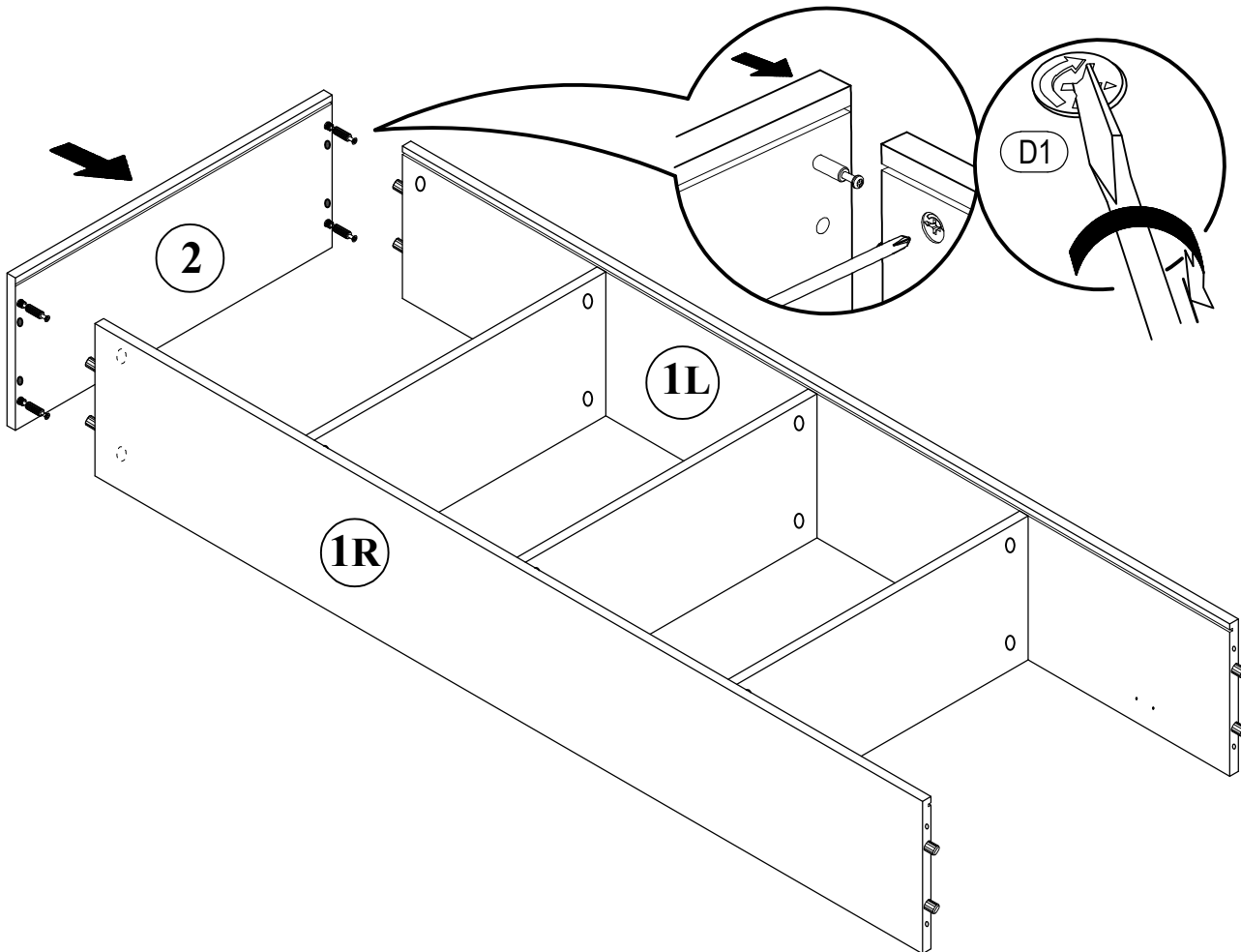
**x3**

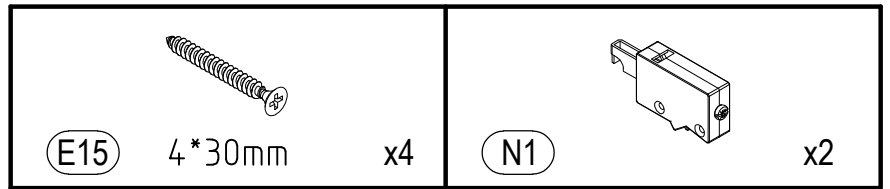


**3**

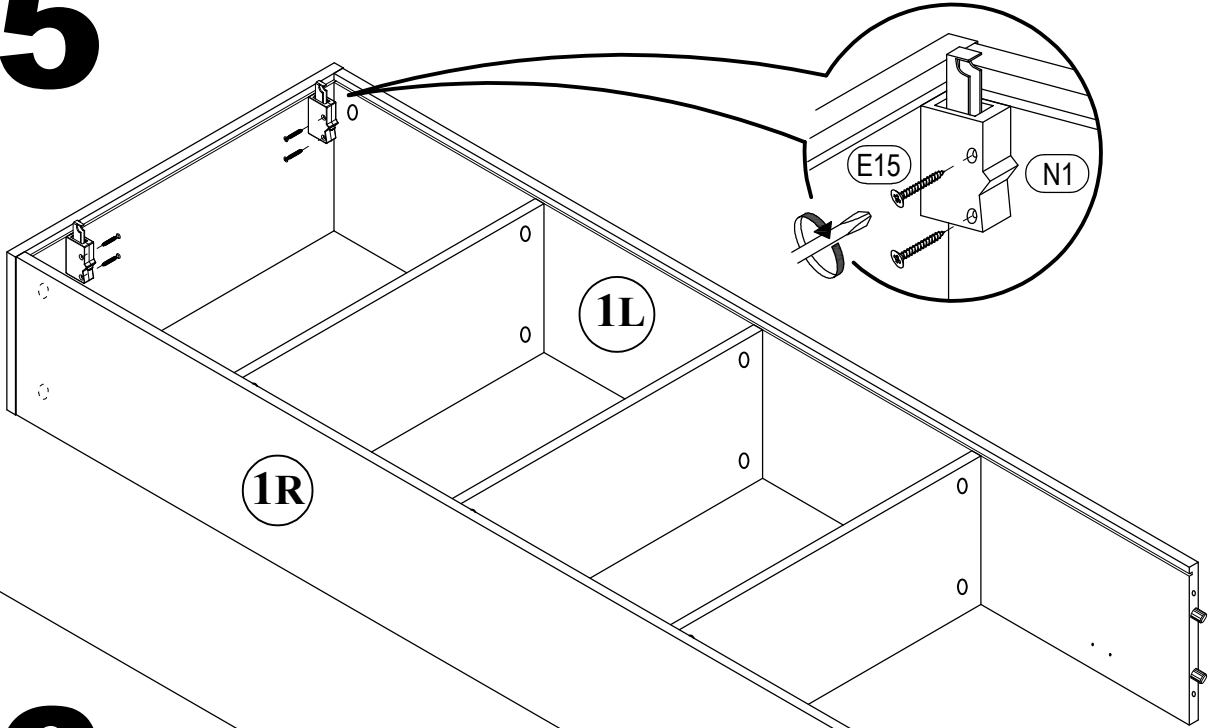


**4**

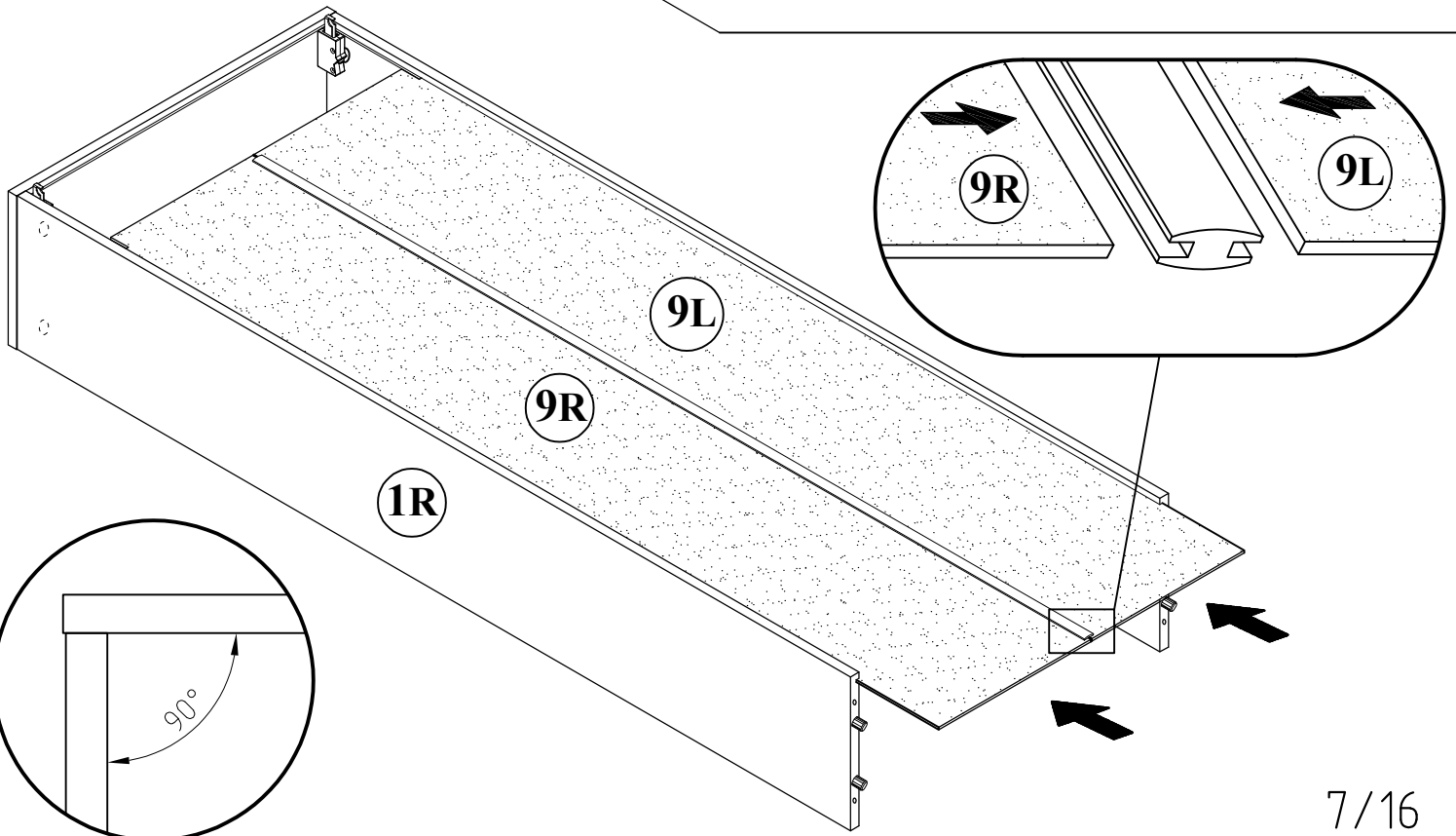




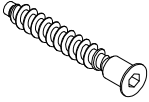
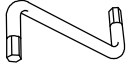
**5**

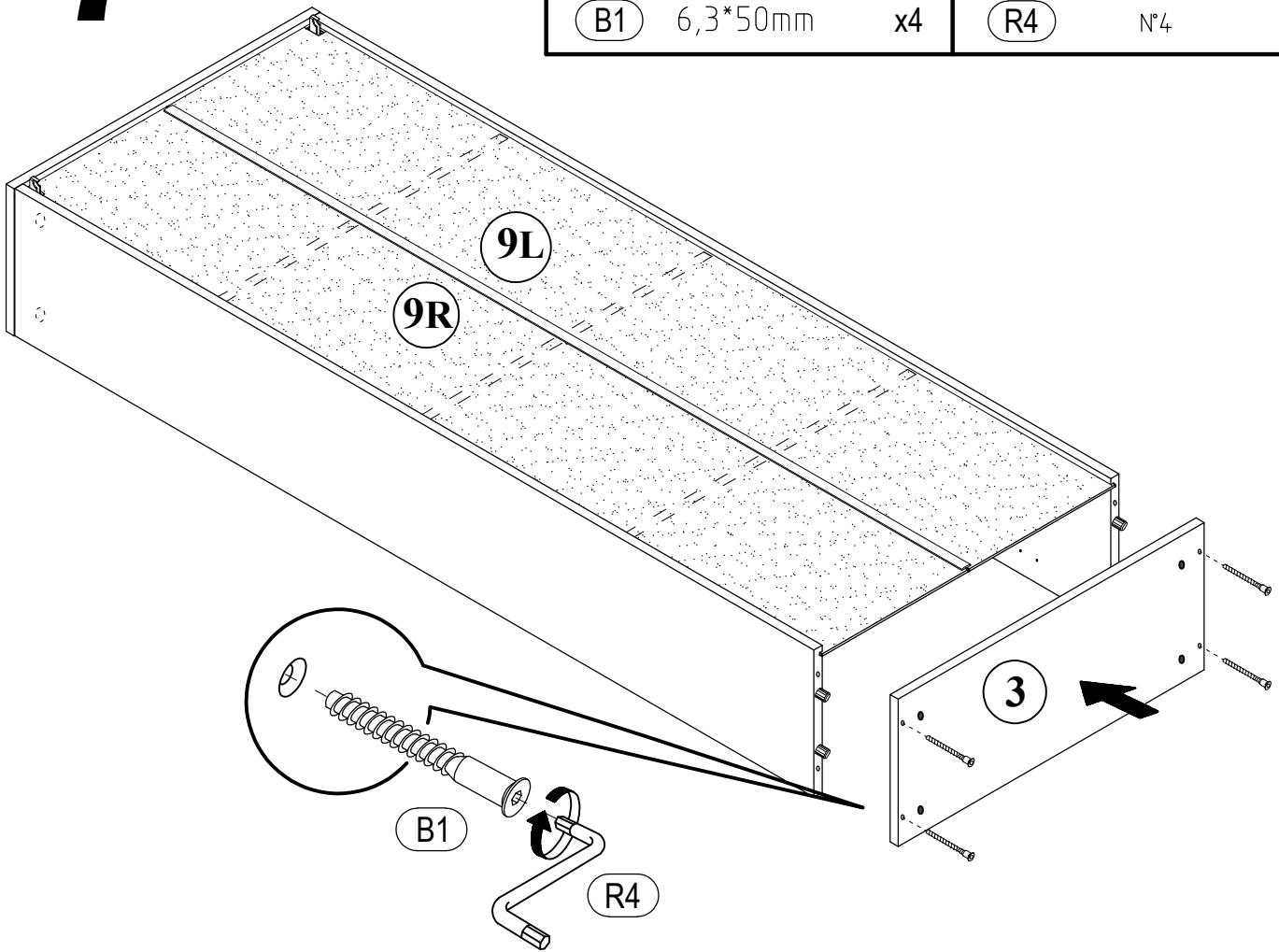


**6**

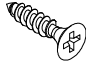
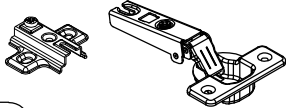


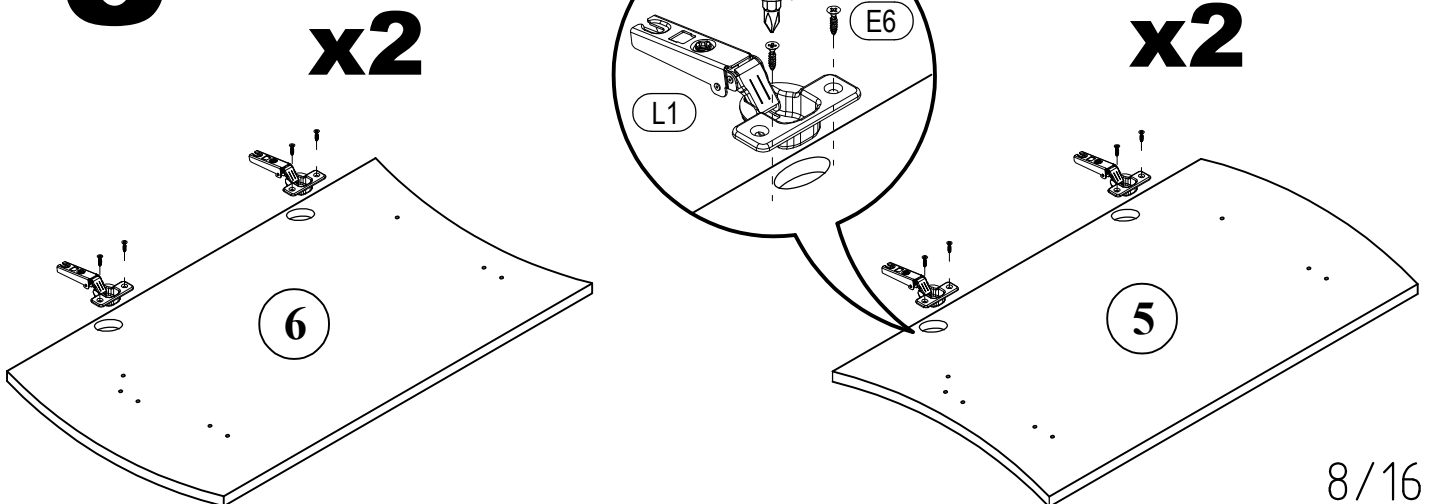
**7**

	
<b>B1</b> 6,3*50mm x4	<b>R4</b> N°4 x1


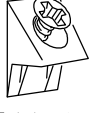
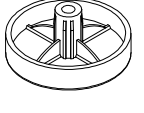


**8**

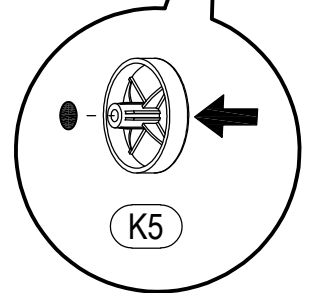
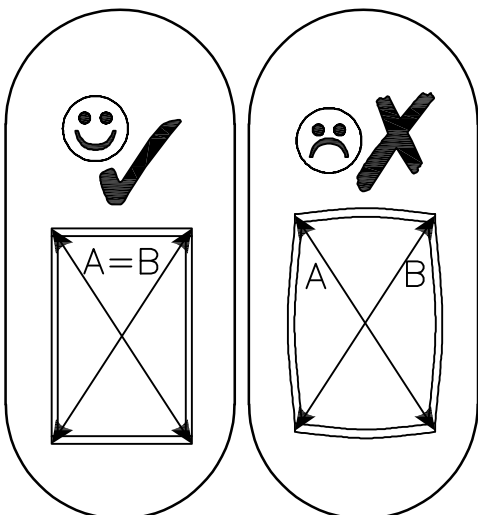
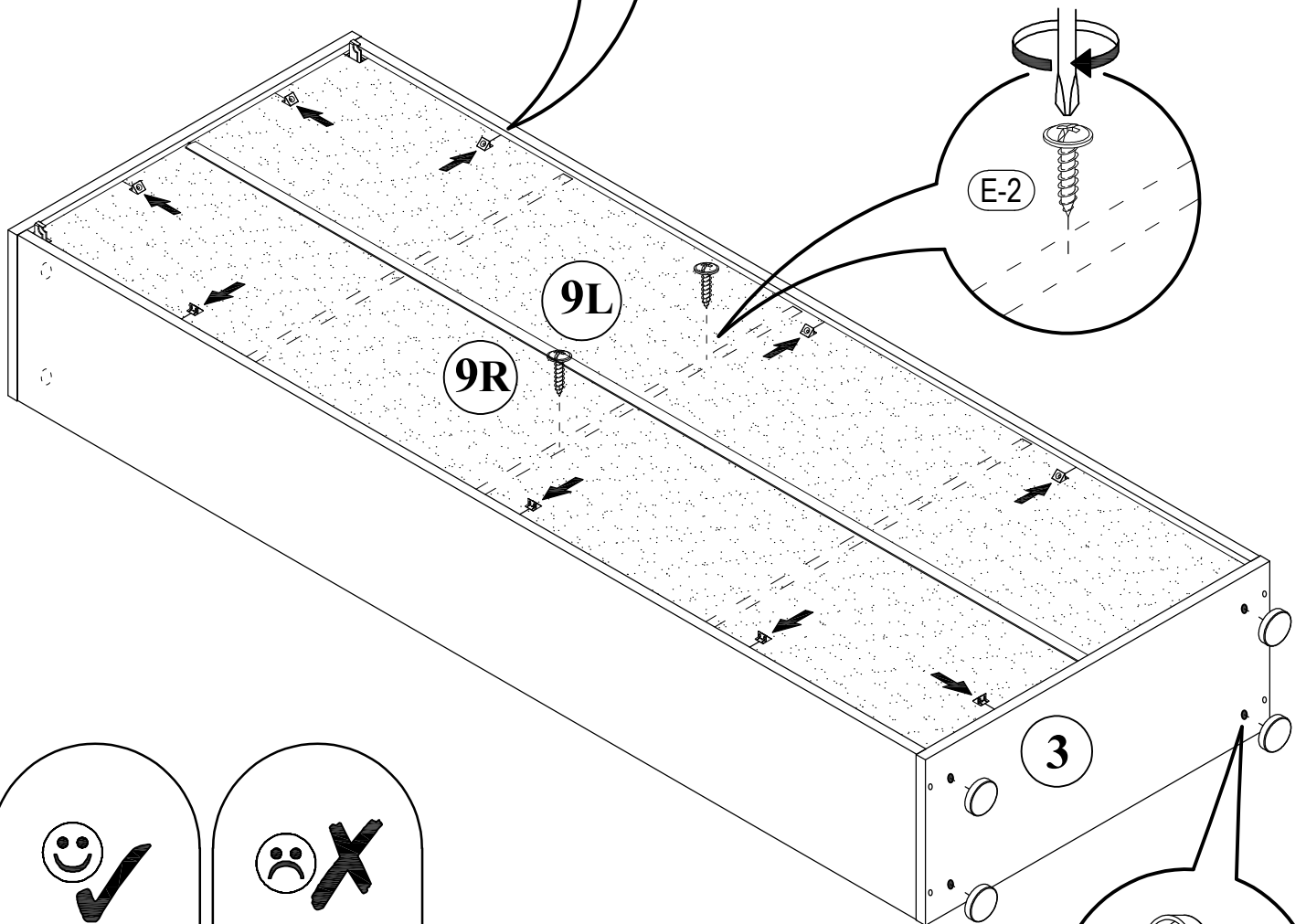
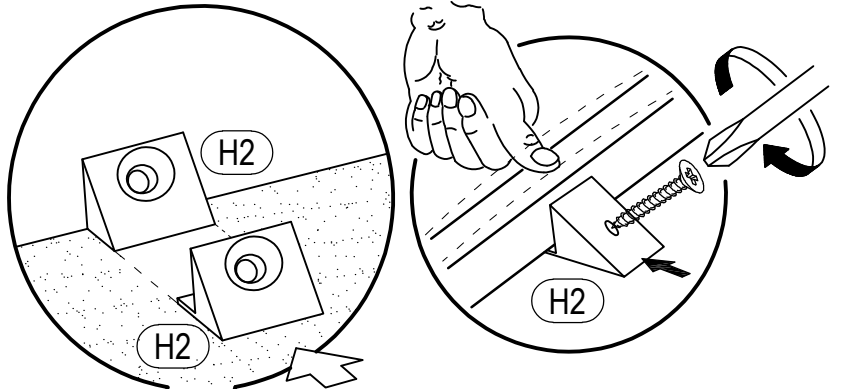
	
<b>E6</b> 3,5*16mm x16	<b>L1</b> x8

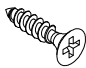





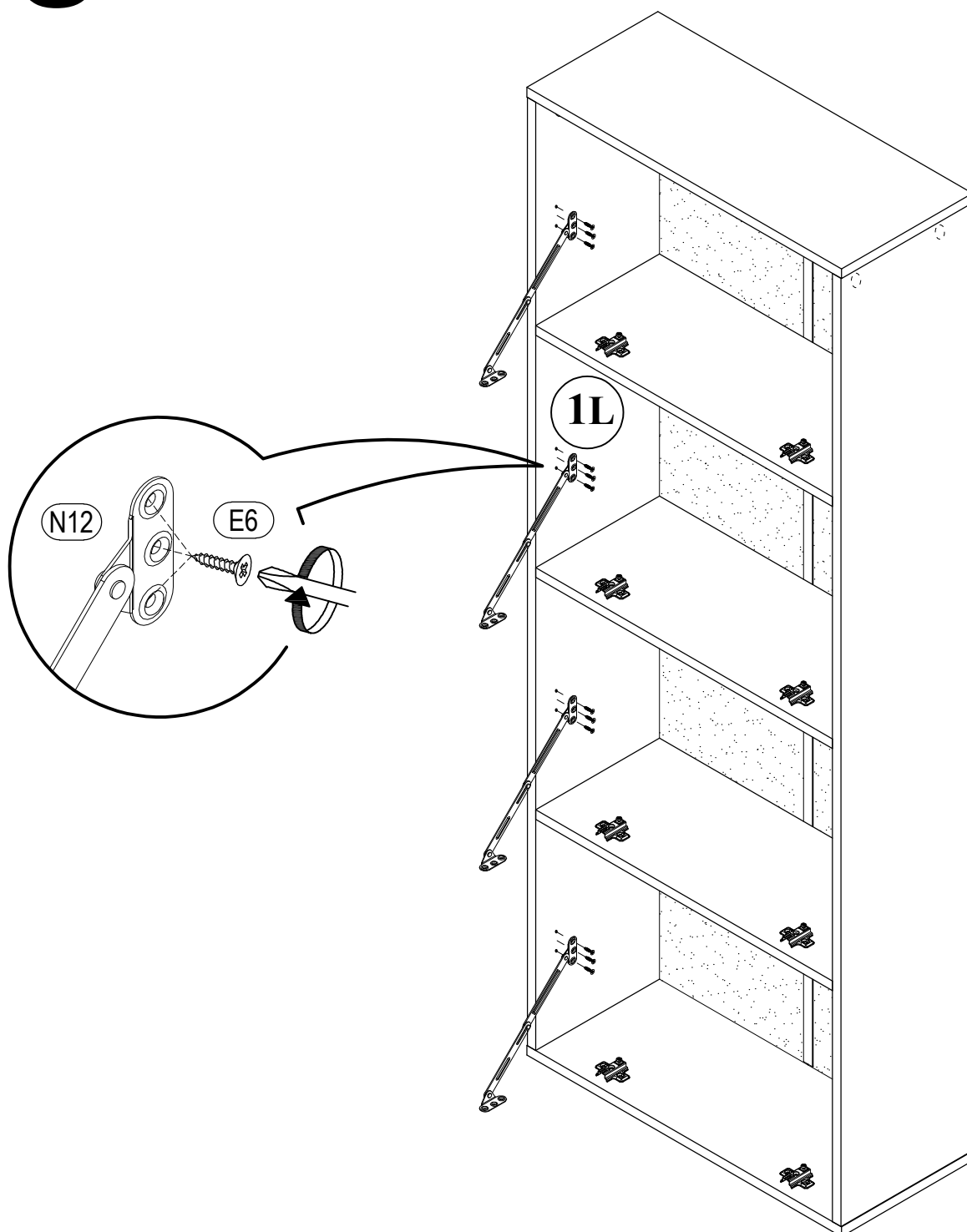
 (E-2) 4,2*16mm x2	 (H2) RV-8 x10	 (K5) x4
--	--	--

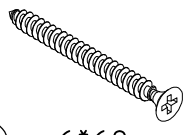
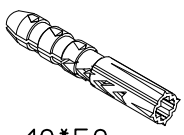
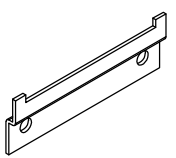
# 9



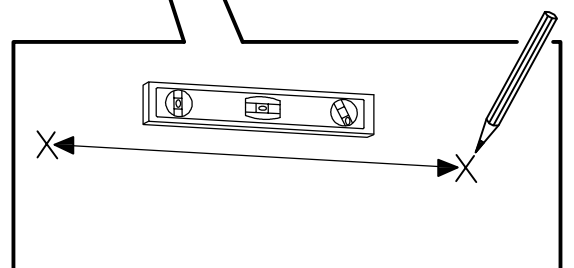
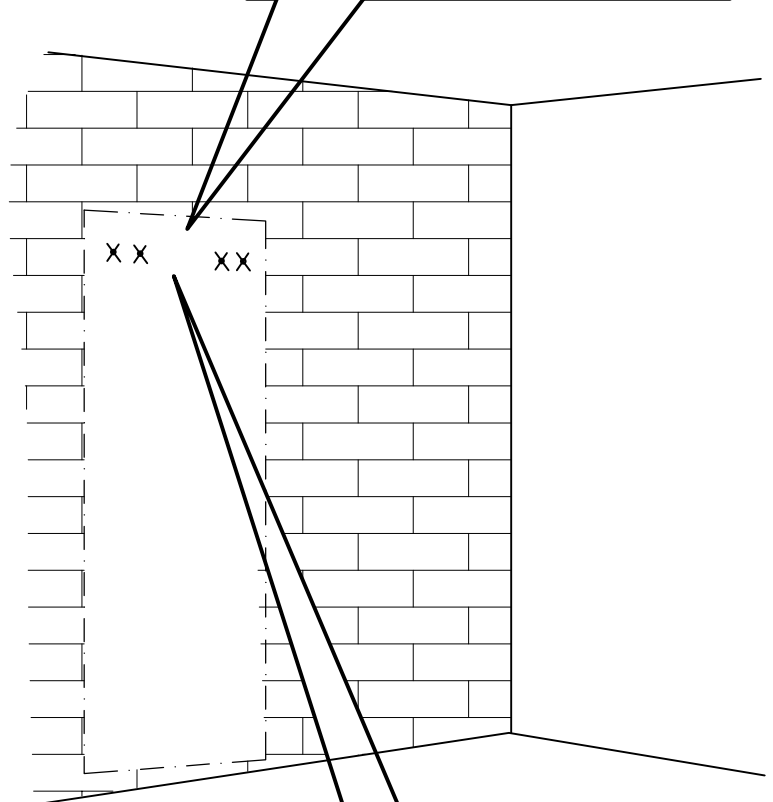
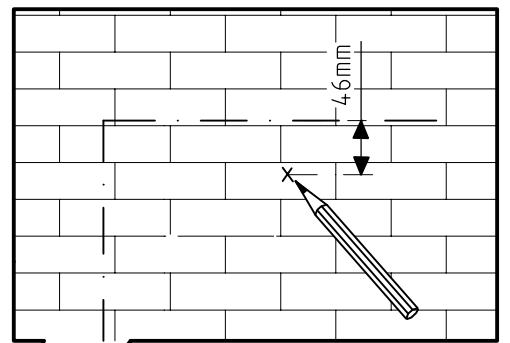
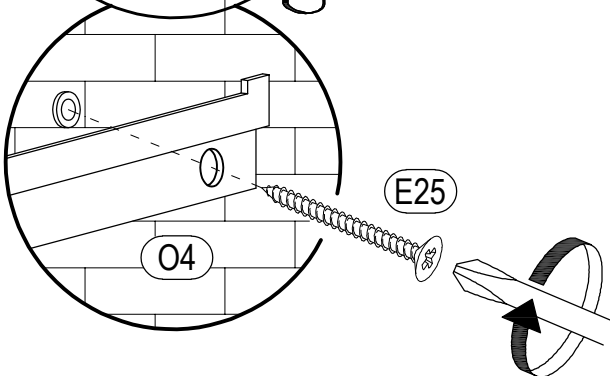
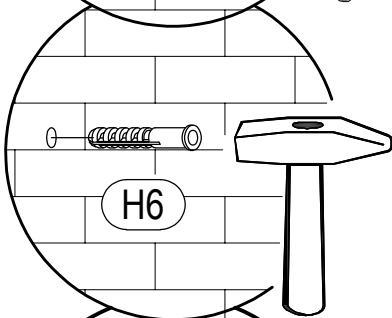
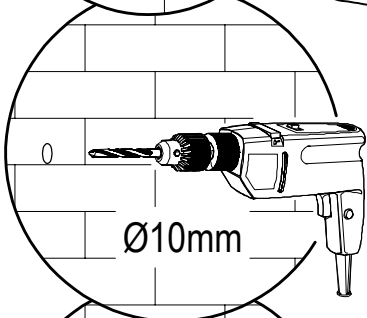
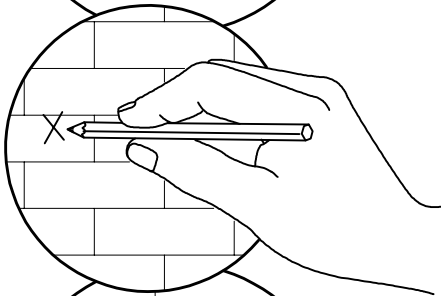
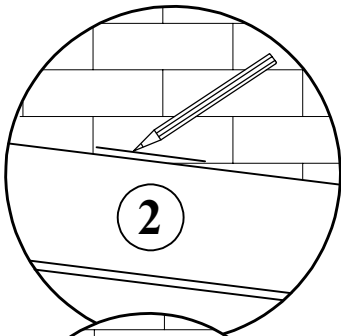
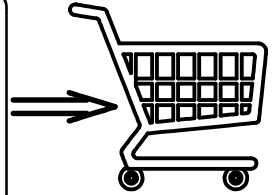
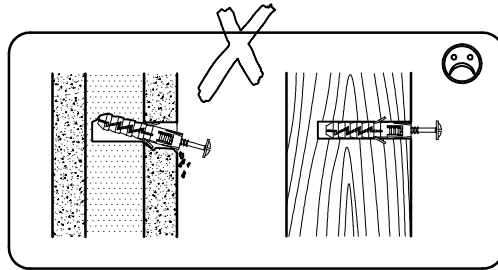
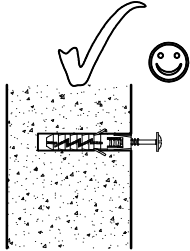
	
<b>E6</b> 3,5*16mm x12	<b>N12</b> x4

# 10

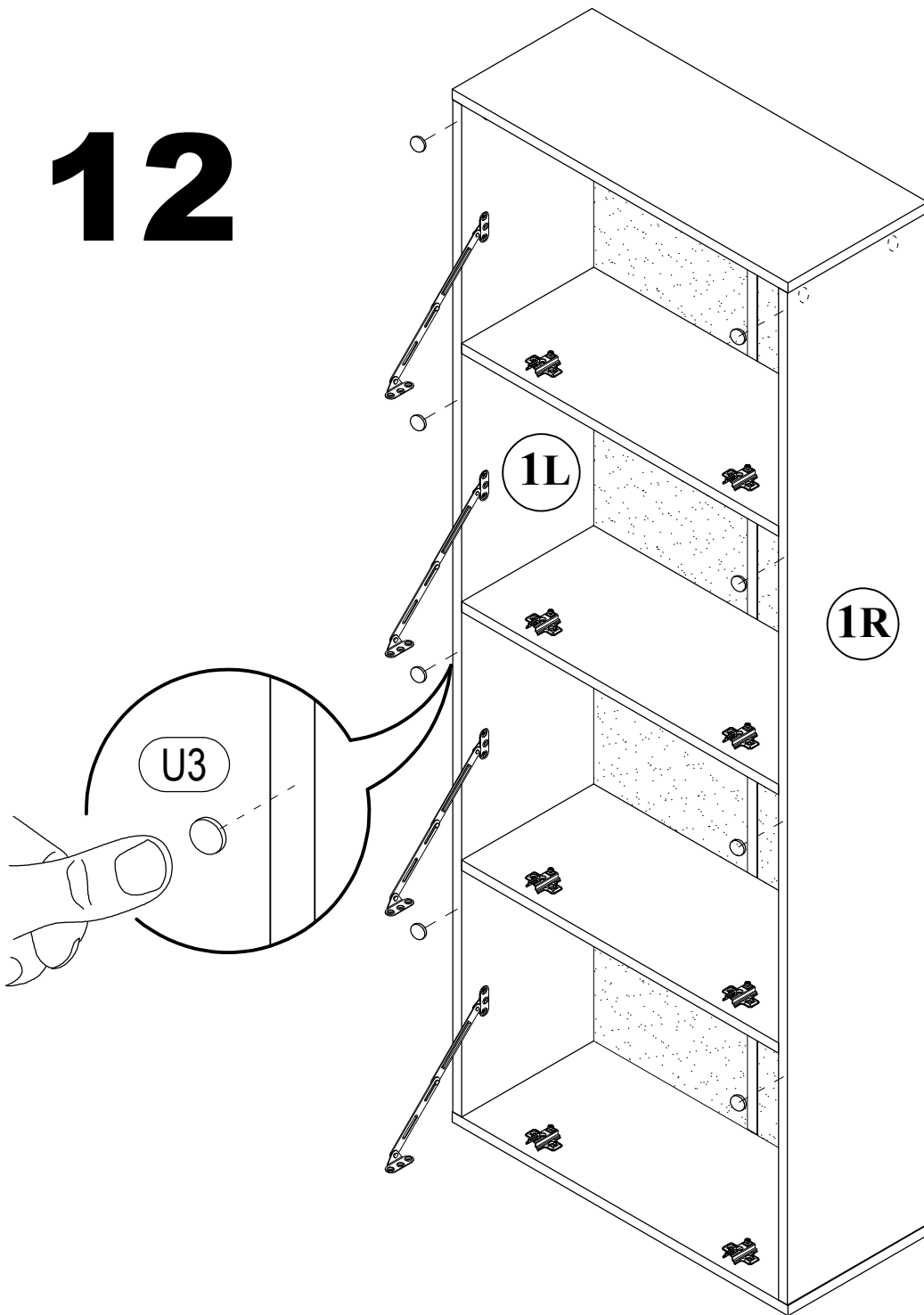





 E25 6*60mm x4	 H6 10*50mm x4	 O4 x2
--	--	--

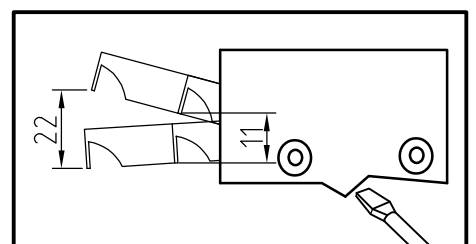
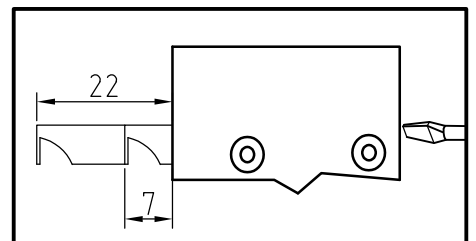
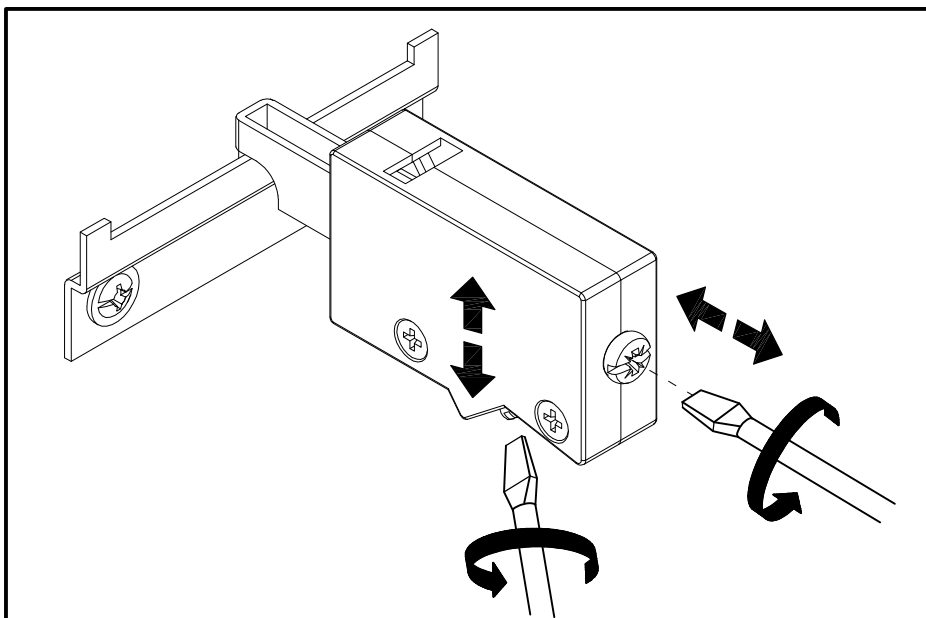
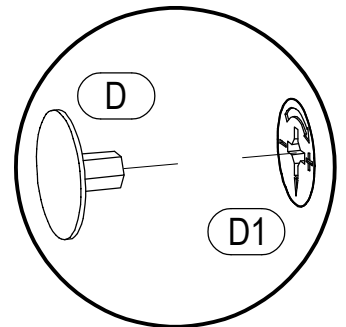
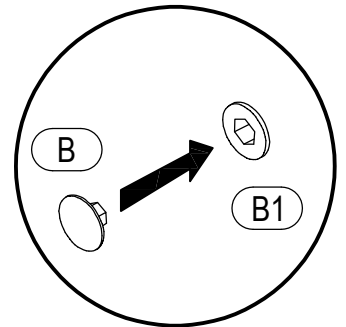
# 11

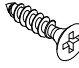

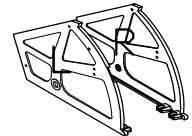


**12**



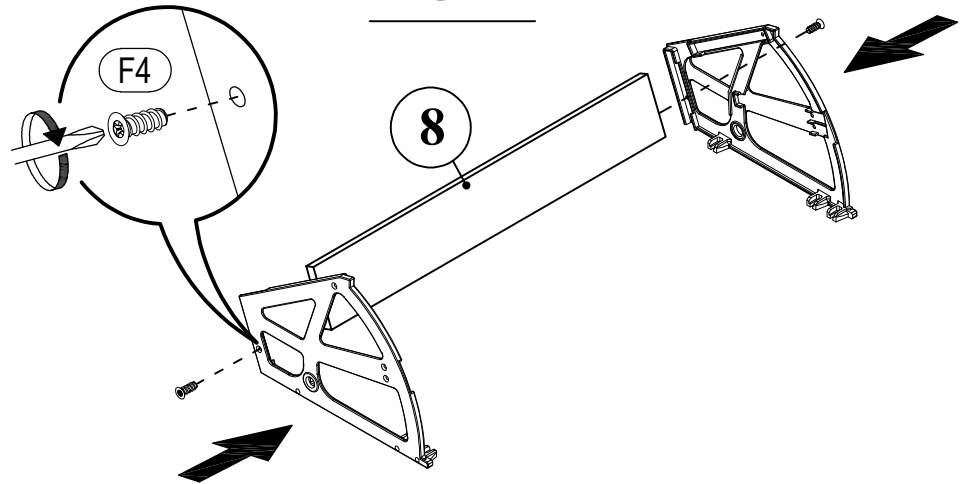
	<b>B</b> $\phi 12\text{mm}$ x4
	<b>D</b> $\phi 20\text{mm}$ x16
	<b>U3</b> x8



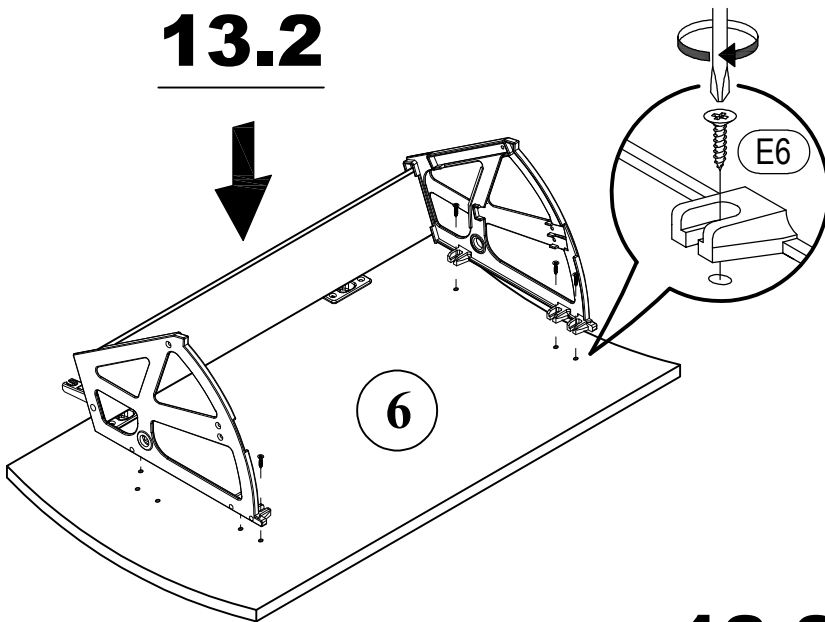
 E6 3,5*16mm x24	 F4 6,3*13mm x24	 N2 x4
--	--	--

# 13

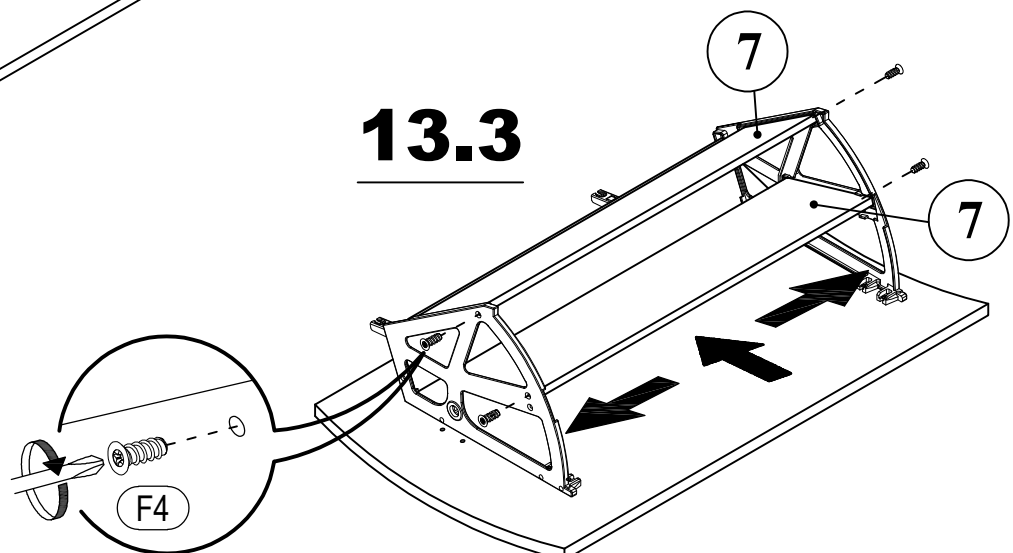
## 13.1



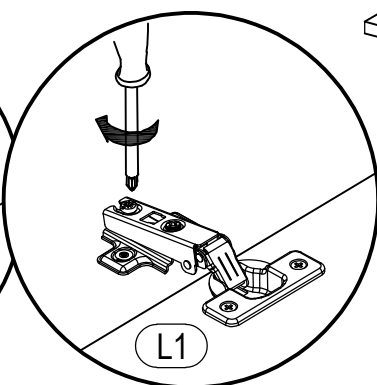
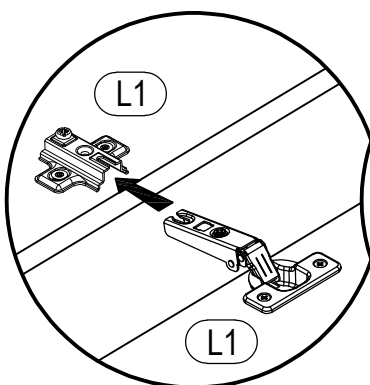
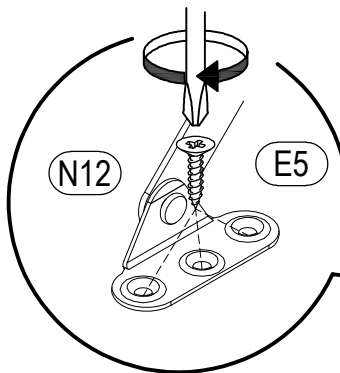
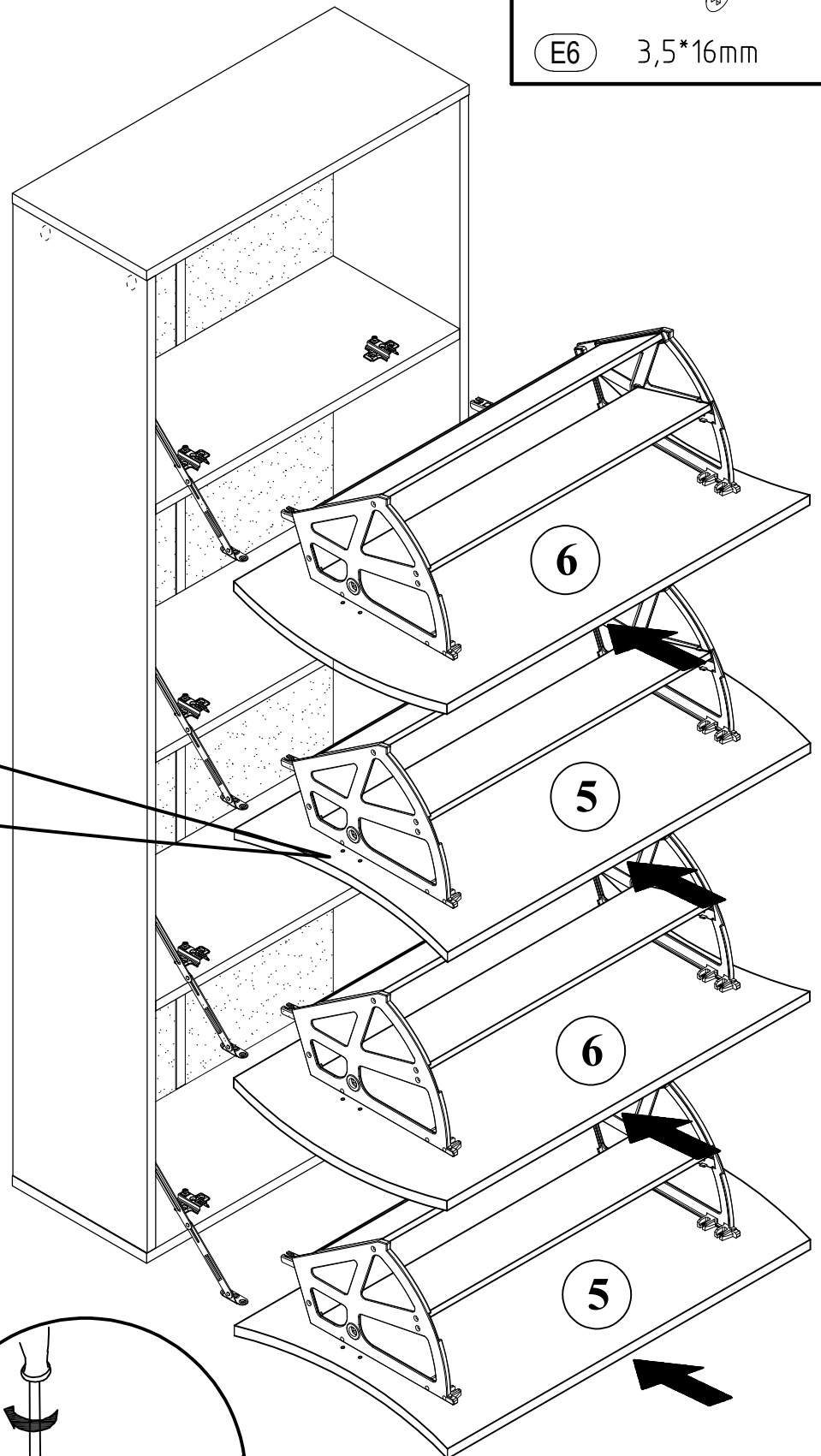
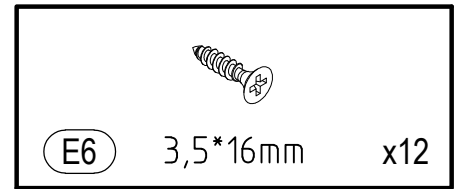
## 13.2



## 13.3



**14**



**15**

