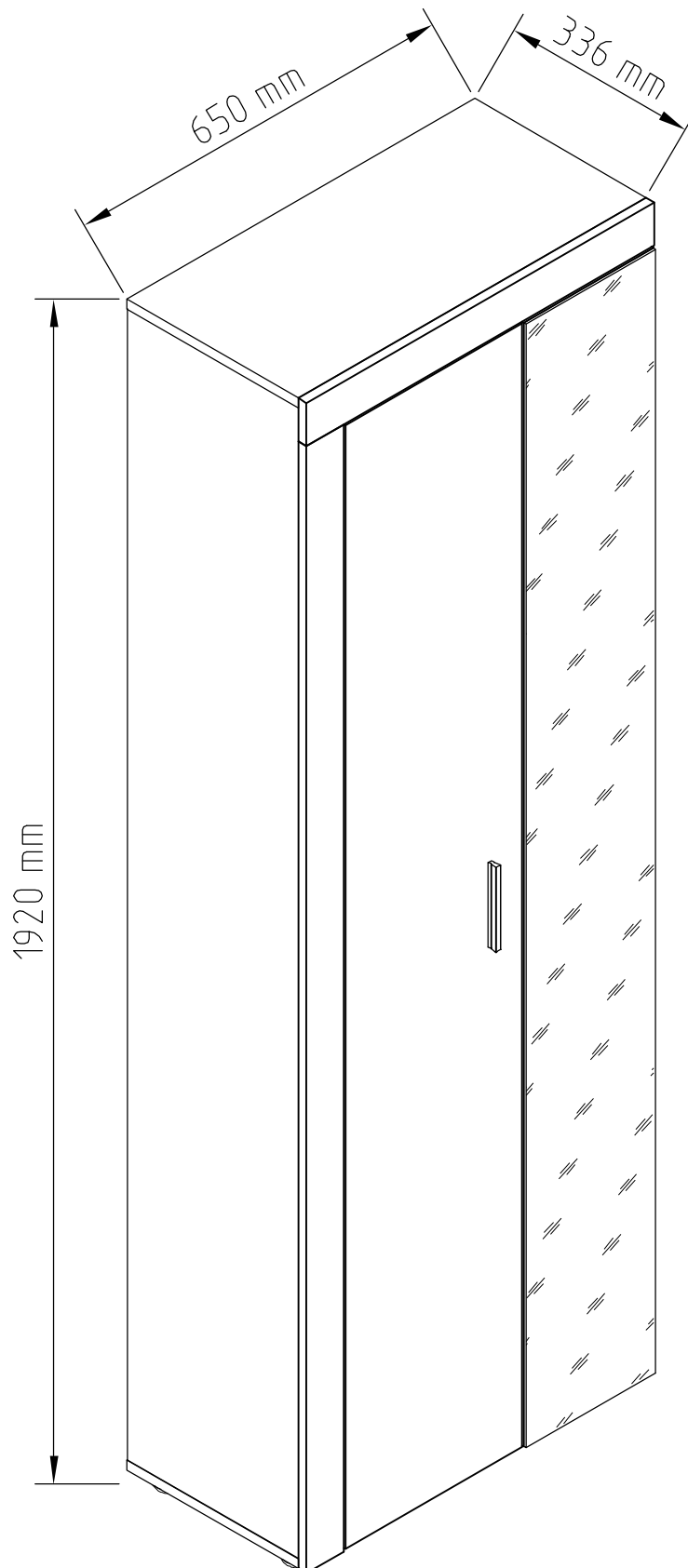
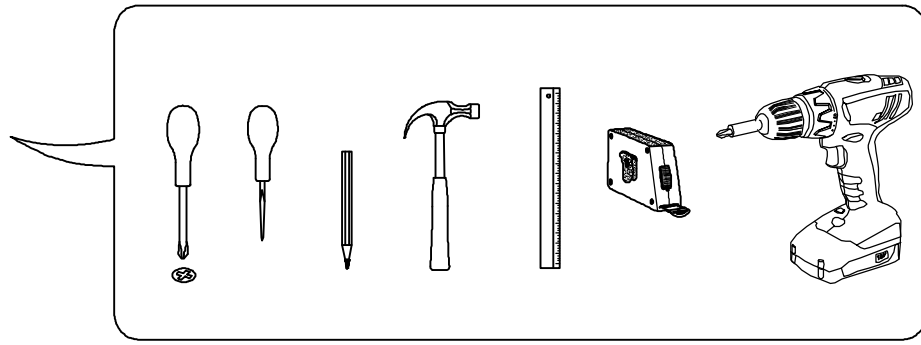
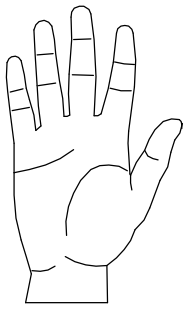
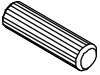

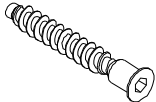
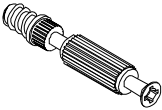
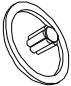

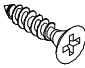


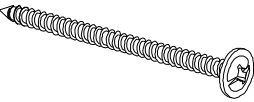
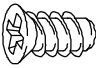

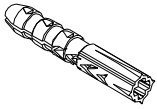
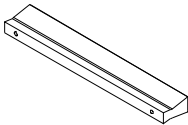
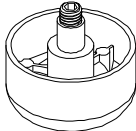
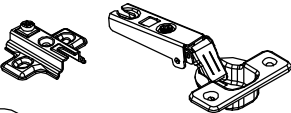
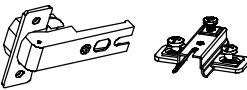
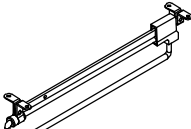

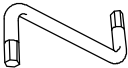
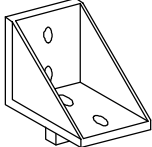
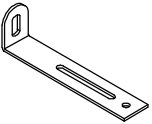



# HELEN

## wardrobe 2D

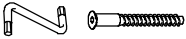




 <b>A1</b> 8*30mm x16	 <b>B</b> $\phi$ 12mm x4	 <b>B1</b> 6,3*50mm x4
 <b>C1</b> 6*43mm x12	 <b>D</b> $\phi$ 20mm x12	 <b>D1</b> 15/16 x12
 <b>E6</b> 3,5*16 x56	 <b>E14</b> 4*25mm x2	 <b>E-2</b> 4,2*16mm x6
 <b>E-5</b> 4,2*65mm x1	 <b>F4</b> 6,3*13mm x12	 <b>H2</b> RV-8 x14
 <b>H5</b> 8*50mm x1	 <b>I10</b> x1	 <b>K16</b> x4
 <b>L1</b> x3	 <b>L4</b> 180° x3	 <b>N6</b> L-300mm x1
 <b>O8</b> L-1862 mm x1	 <b>R4</b> N°4 x1	 <b>S13</b> x10
 <b>S16</b> 260.54.900 x1	 <b>U3</b> x4	

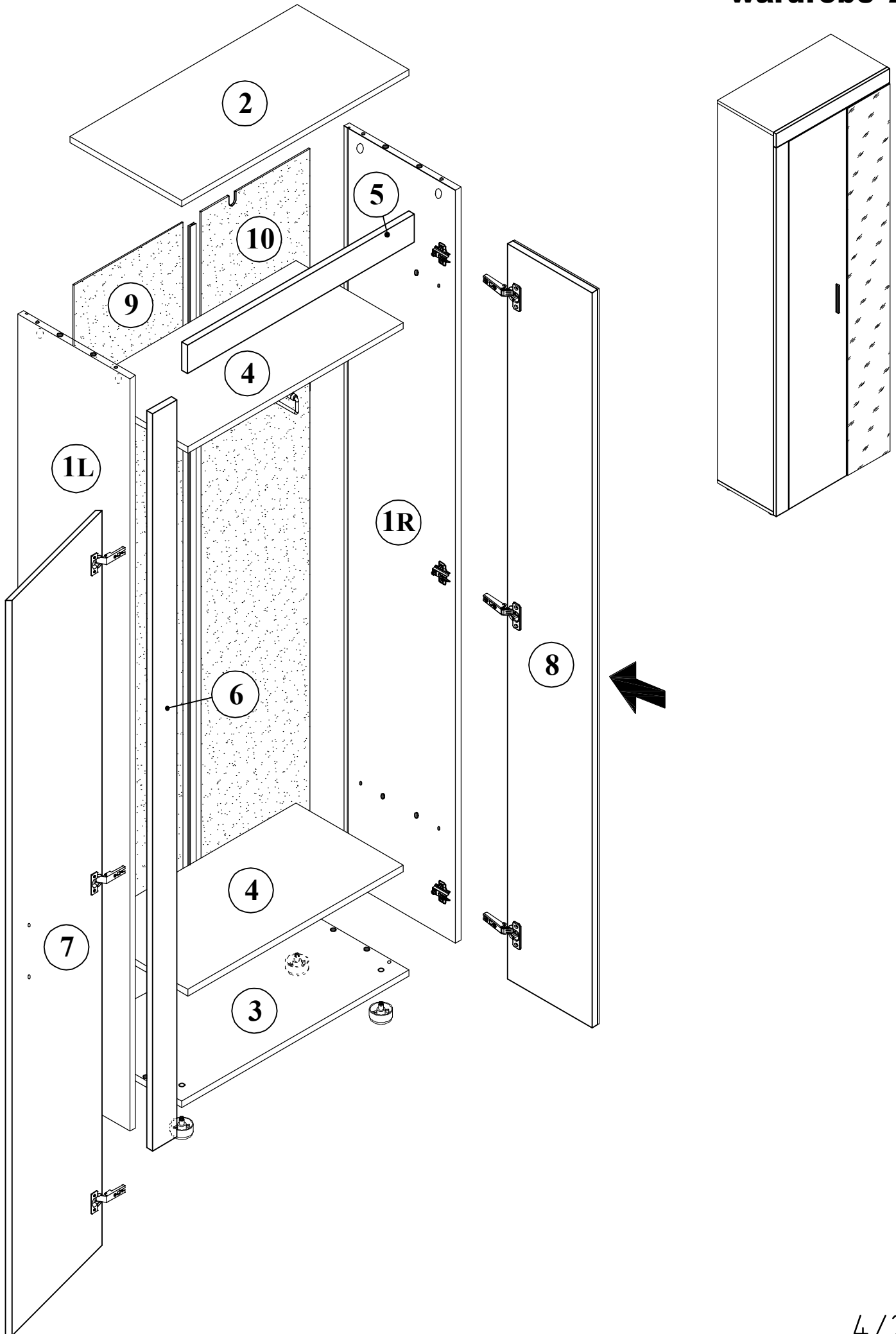
# **HELEN**

## **wardrobe 2D**

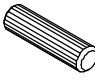
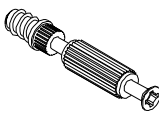

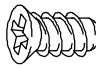
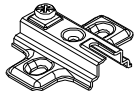
<b>№</b>	<b>a*b</b>	<b>x</b>	<b>№→...</b>
1L	1864x320	x1	1/2
1R	1864x320	x1	1/2
2	650x320	x1	2/2
3	650x320	x1	2/2
4	616x306	x2	2/2
5	650x70	x1	2/2
6	1826x70	x1	1/2
7	330x1820	x1	1/2
8	242x1820	x1	1/2
9	1873x312	x1	1/2
10	1873x312	x1	1/2
		x1	2/2

# HELEN

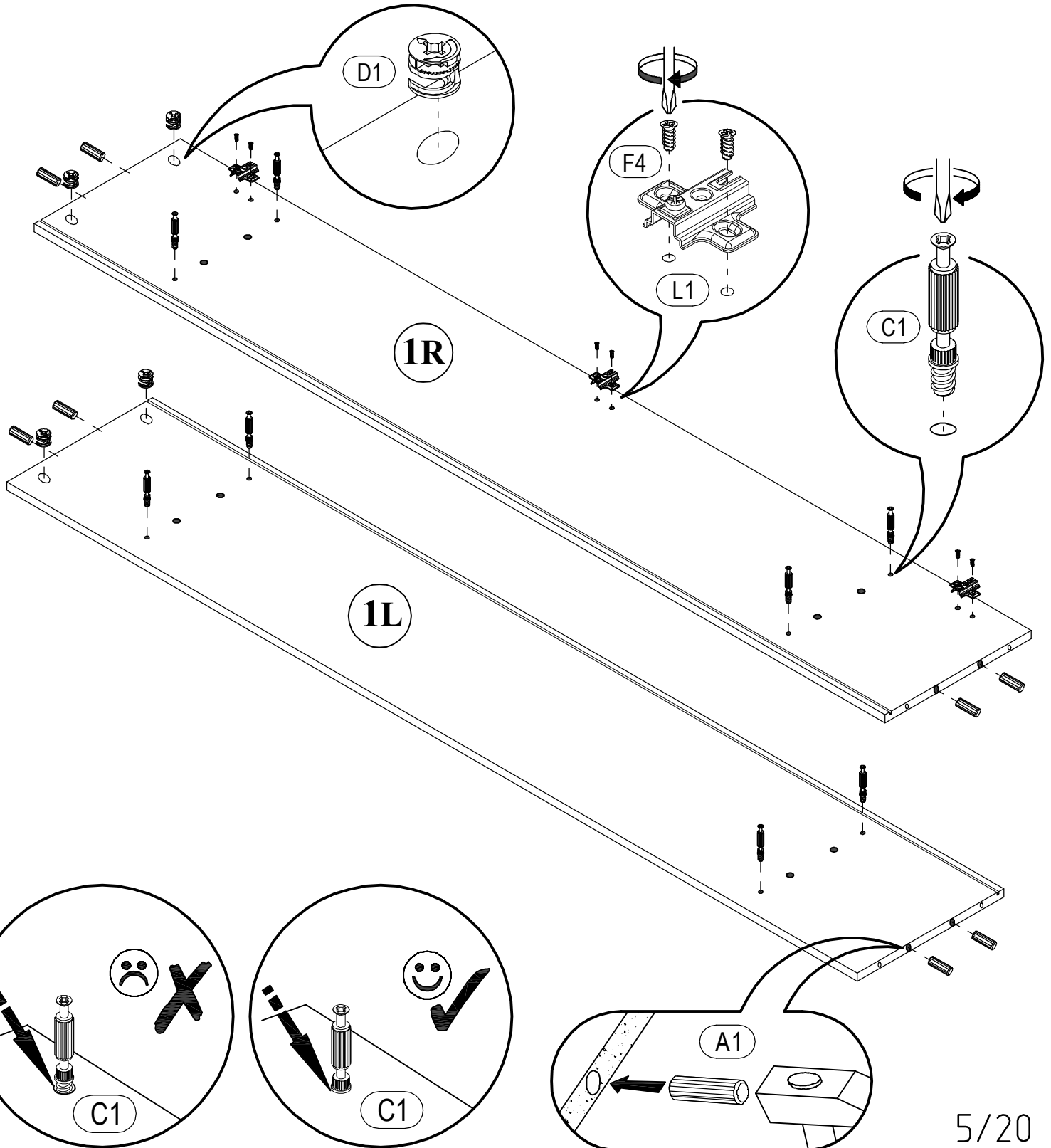
## wardrobe 2D

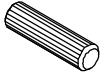
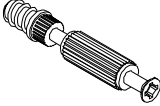



# HELEN wardrobe 2

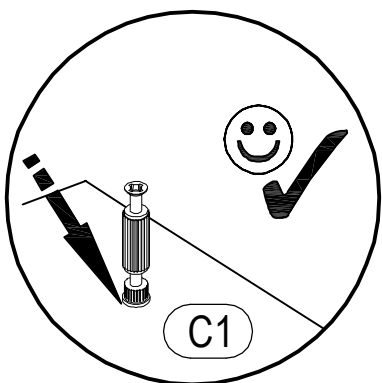
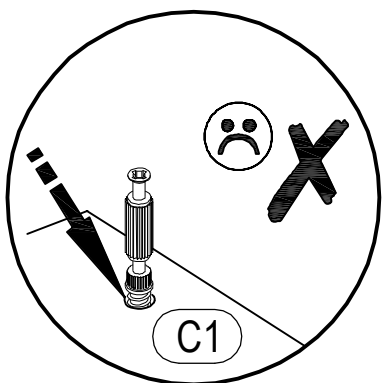
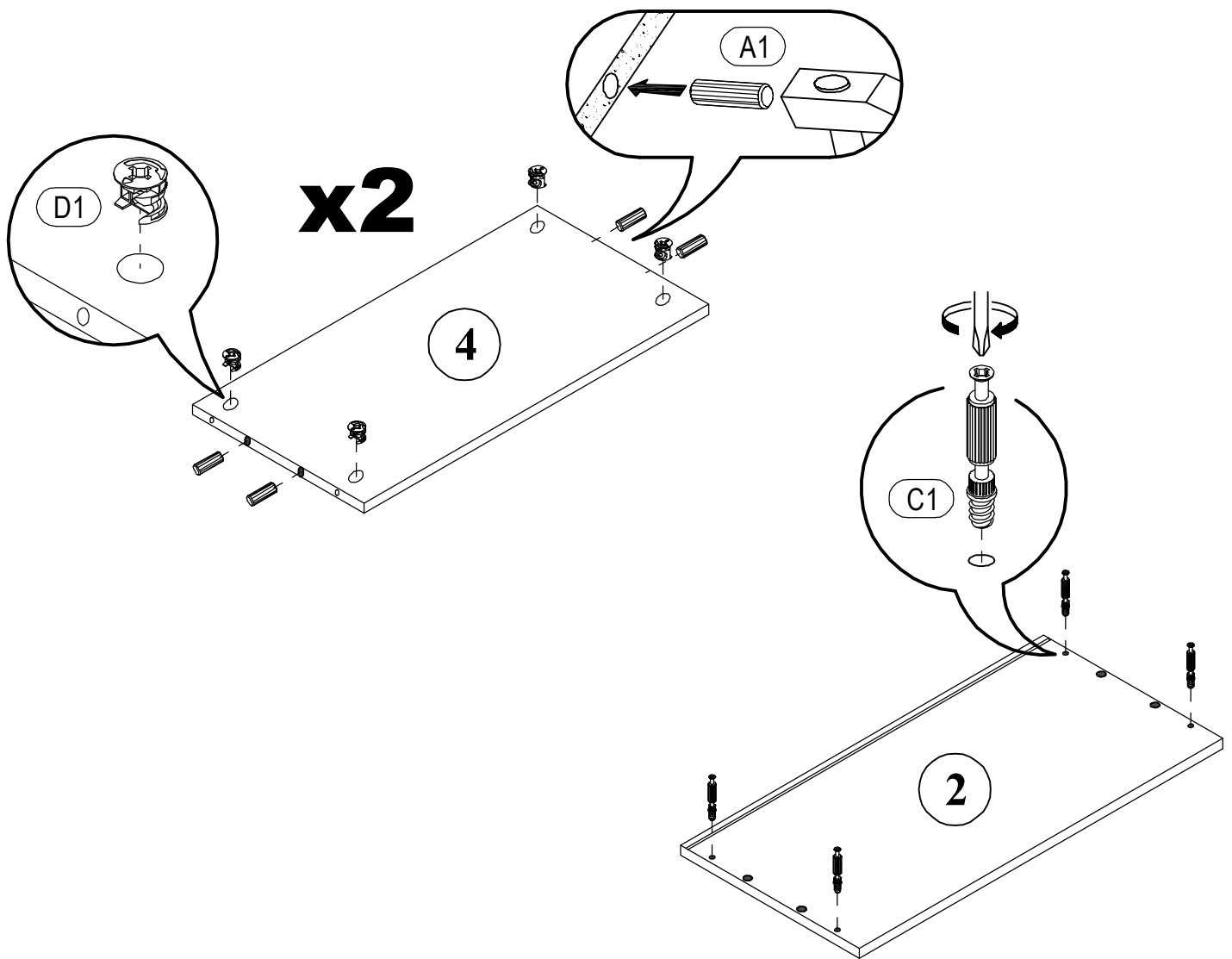
 <b>A1</b> 8*30mm x8	 <b>C1</b> 6*43mm x8	 <b>D1</b> 15/16 x4
	 <b>F4</b> 6,3*13mm x6	 <b>L1</b> x3

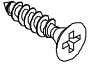
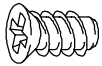
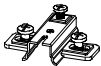
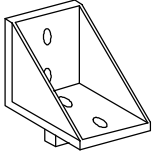
# 1



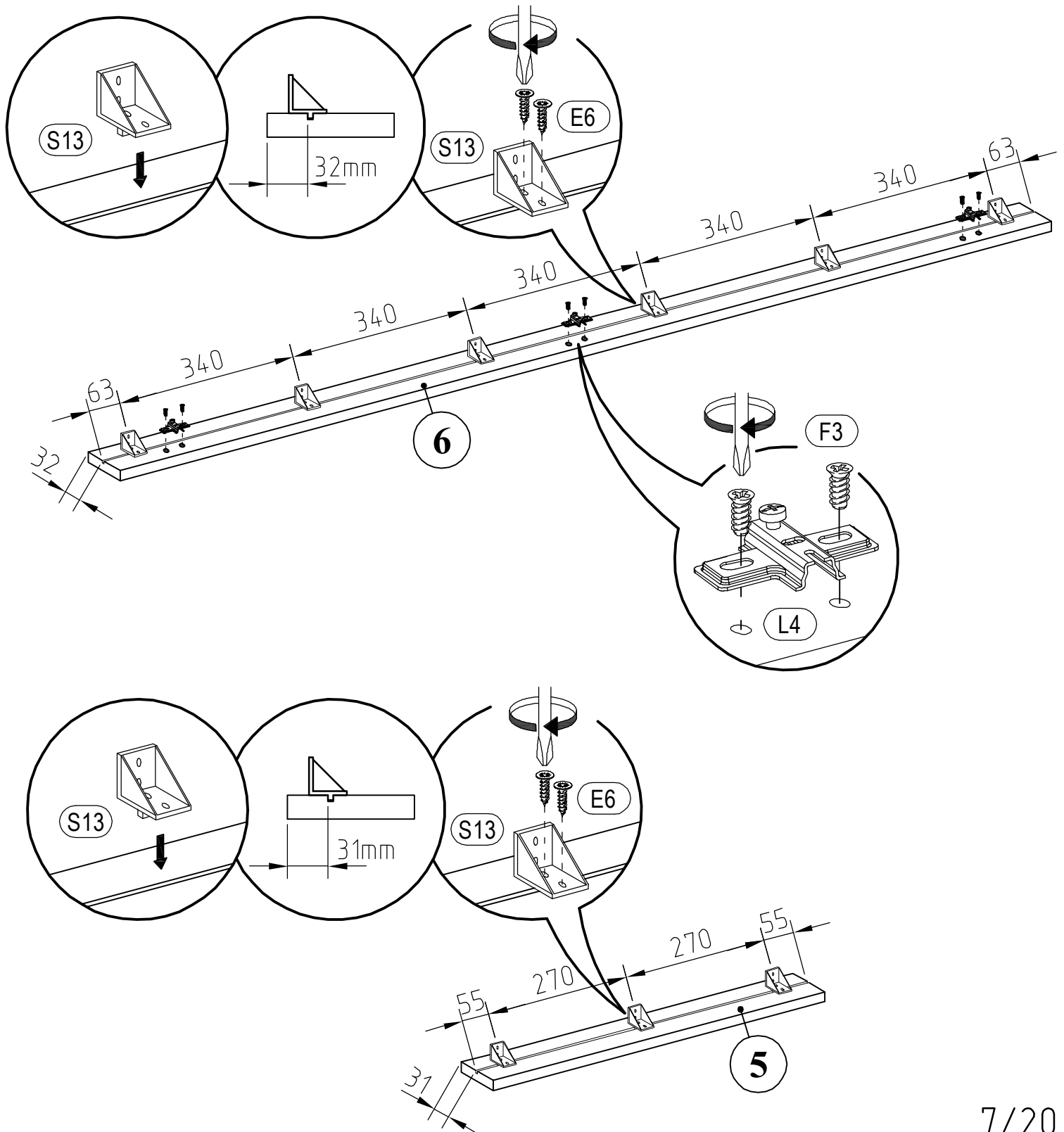
 A1 8*30mm x8	 C1 6*43mm x4	 D1 15/16 x4
---	---	--

# 2

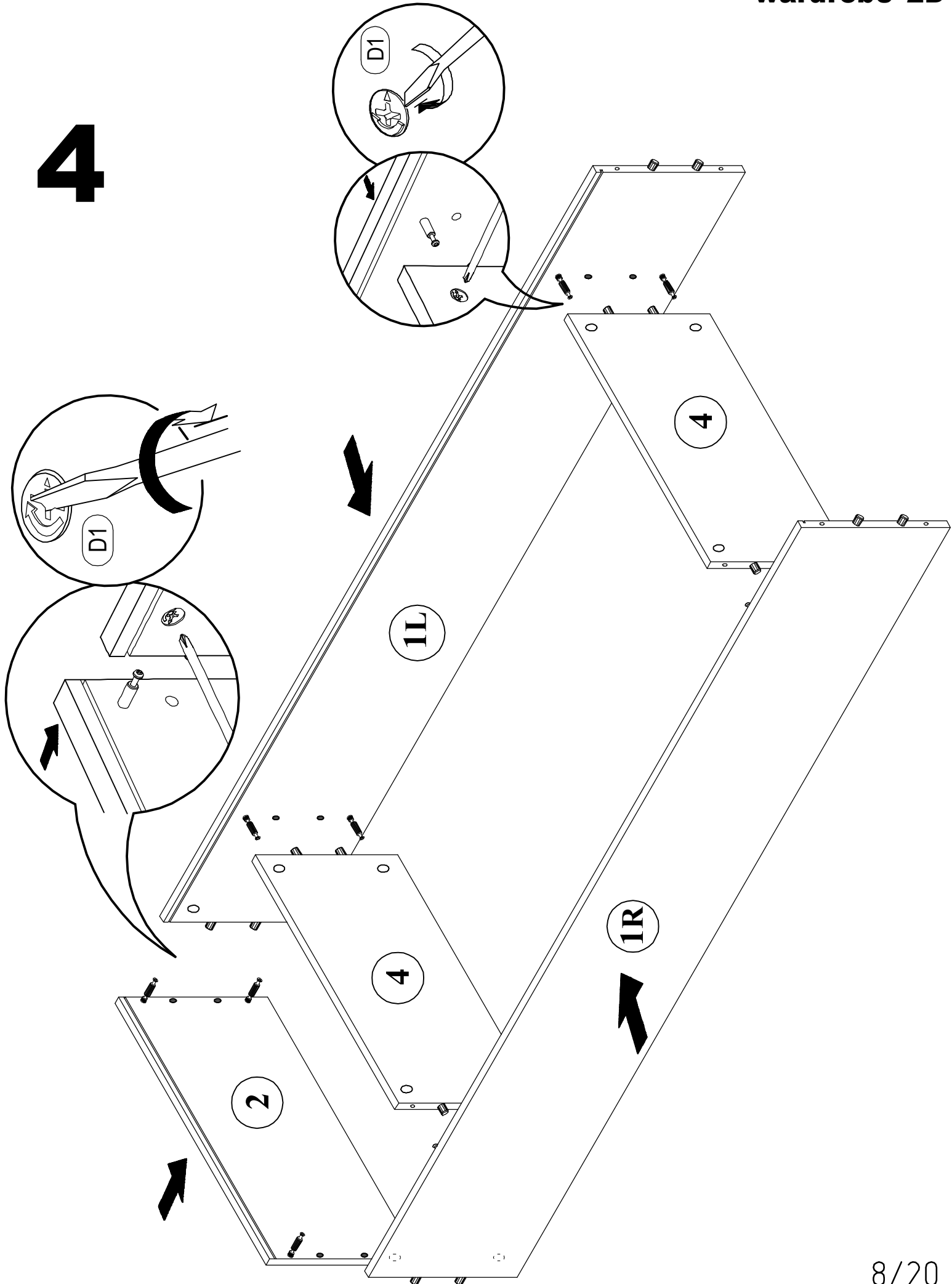


 <b>E6</b> 3,5*16 x18	 <b>F4</b> 6,3*13mm x6	 <b>L4</b> 180° x3
		 <b>S13</b> x9

# 3

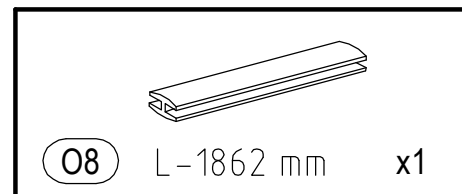


**4**

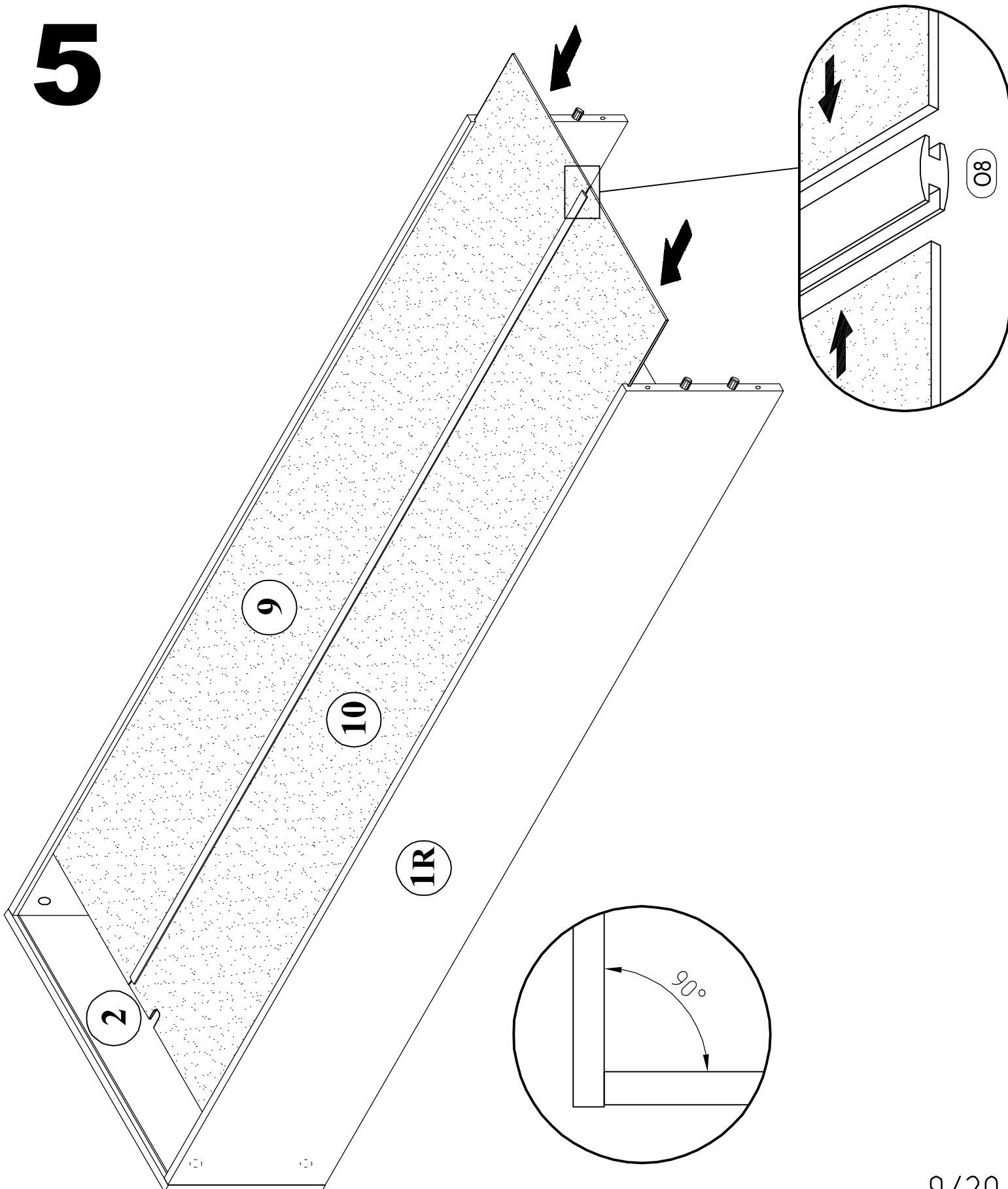


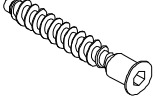
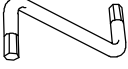


# HELEN wardrobe 2D

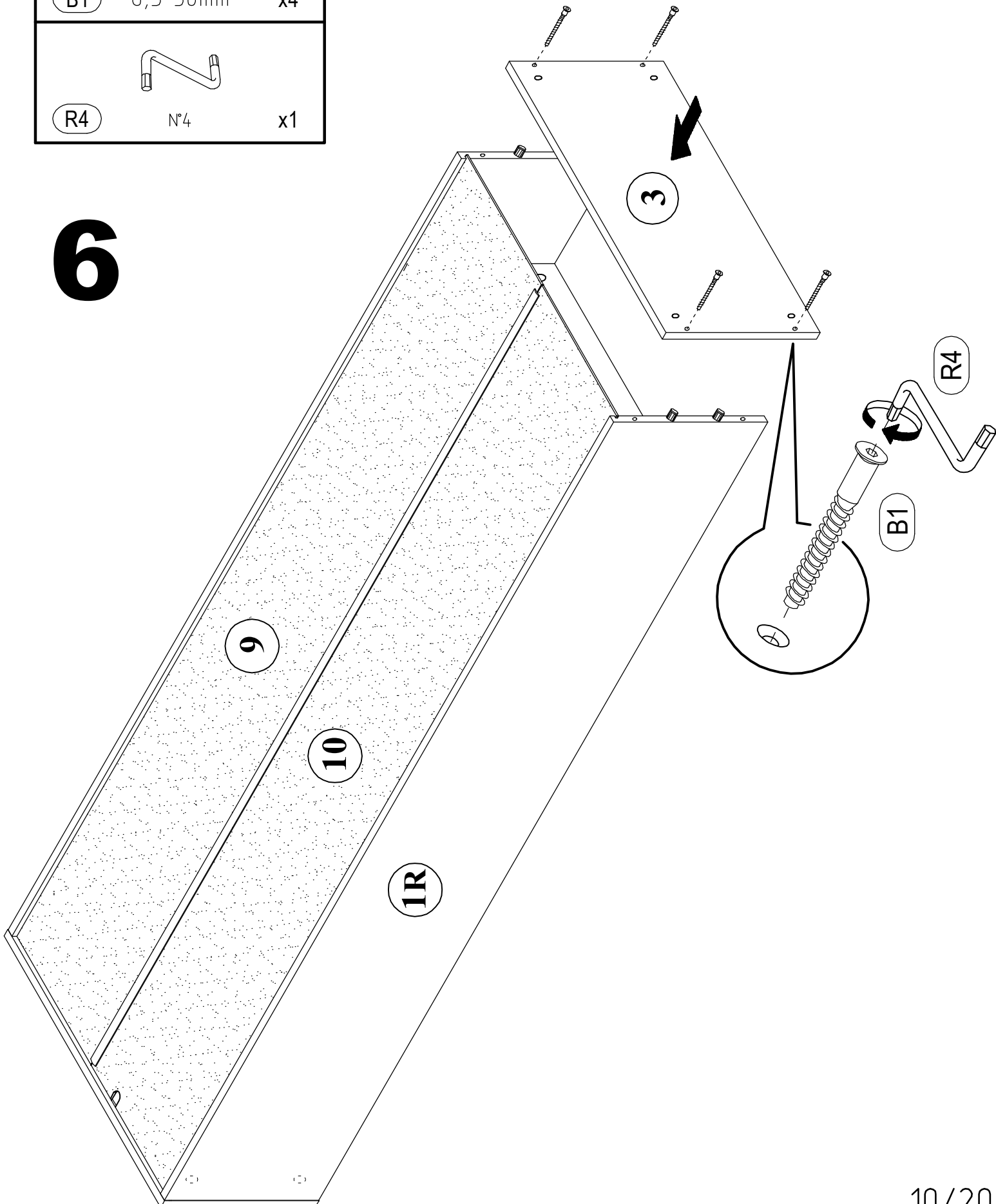


# 5


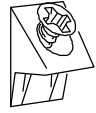
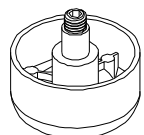


	<b>B1</b>	6,3*50mm	x4
	<b>R4</b>	N°4	x1

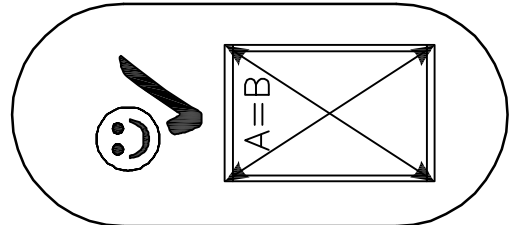
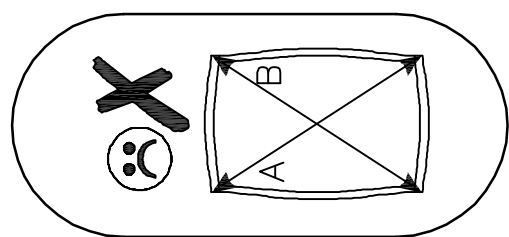
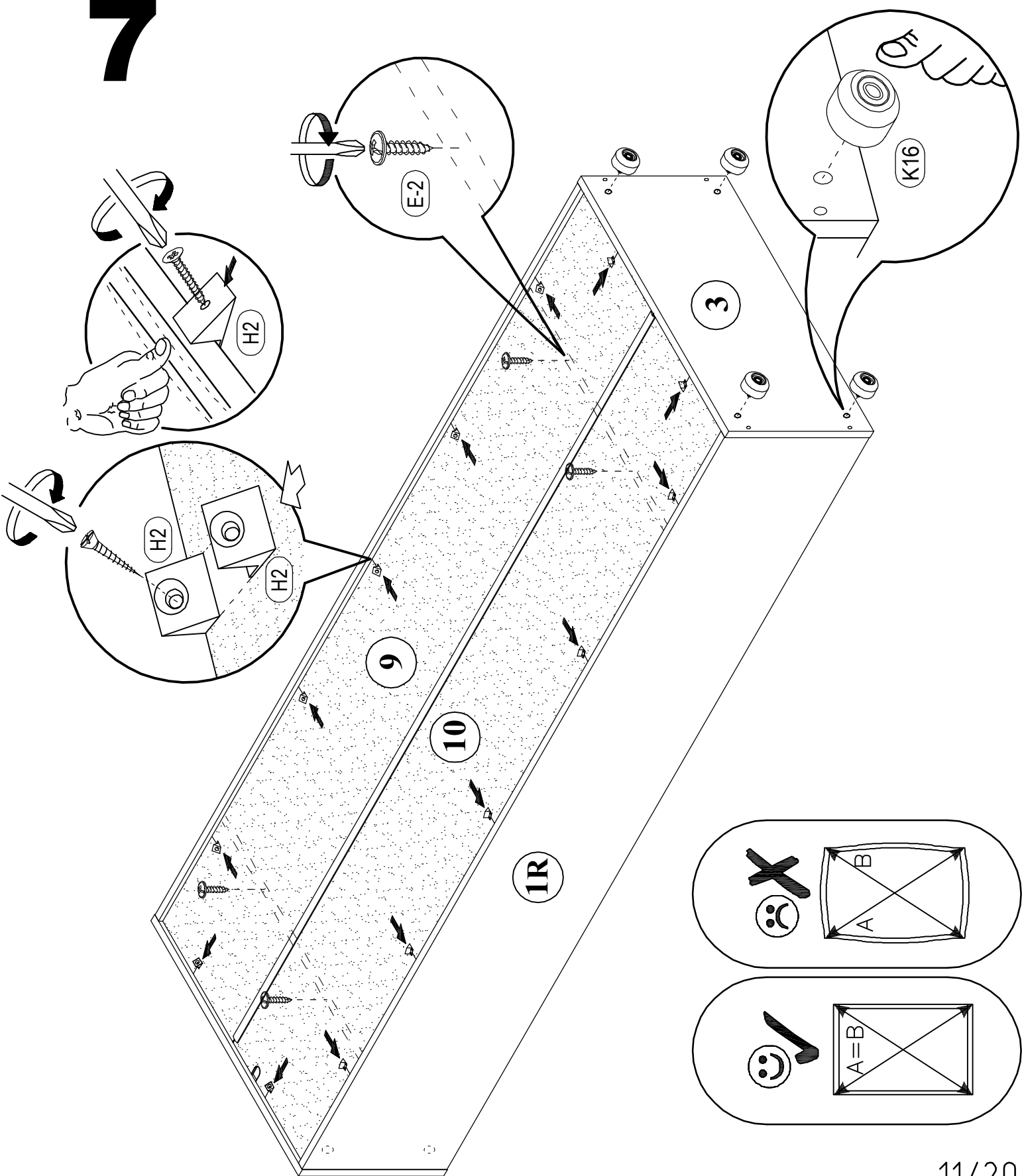
**6**



# HELEN wardrobe 2D

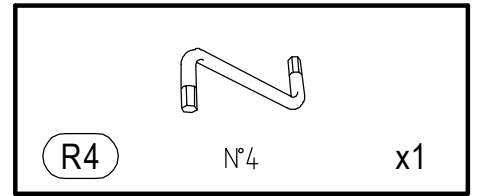
 <b>(E-2)</b> 4,2*16mm x4	 <b>(H2)</b> RV-8 x14	 <b>(K16)</b> x4
---	---	--

# 7

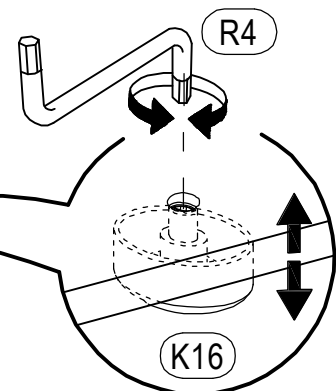
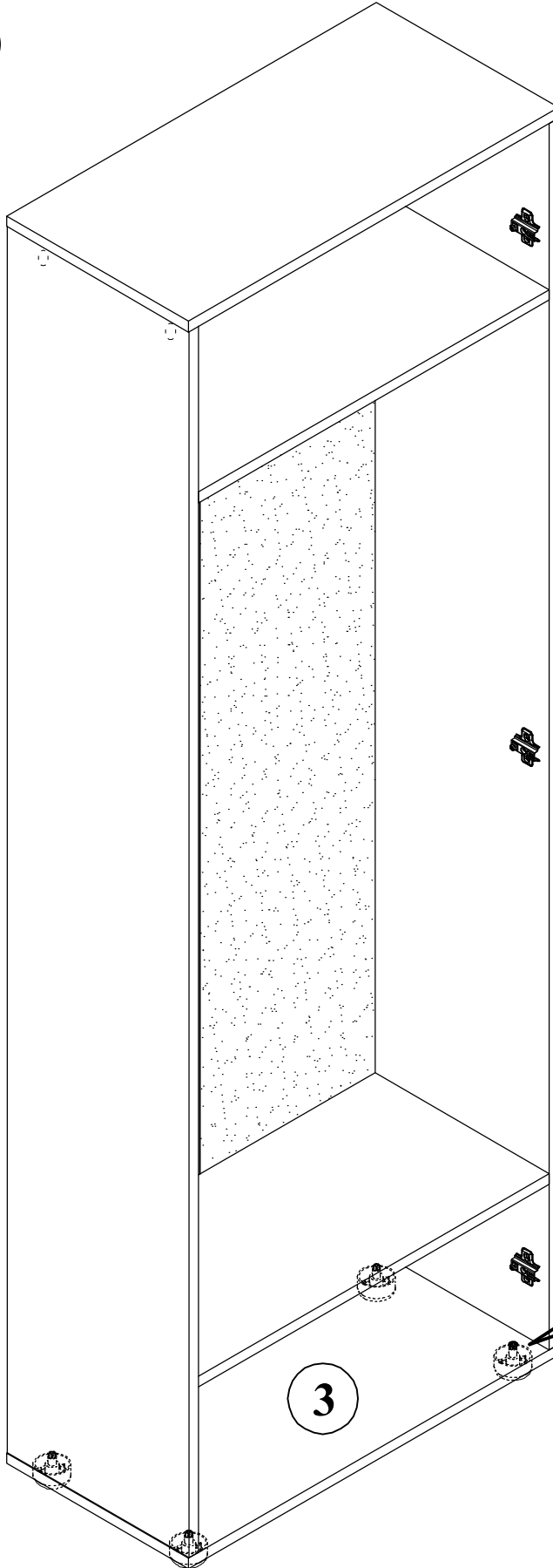


# HELEN


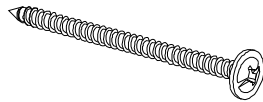
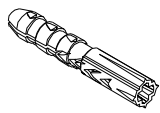
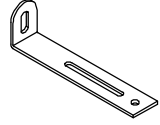
## wardrobe 2D



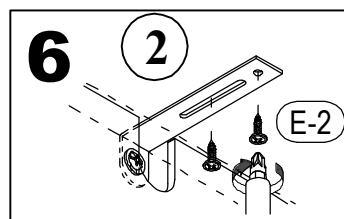
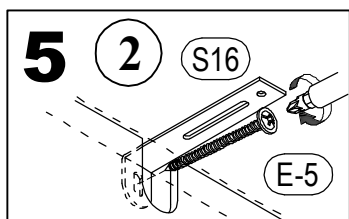
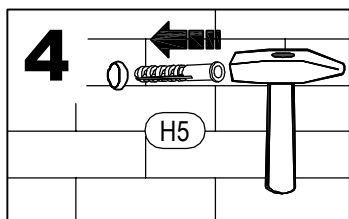
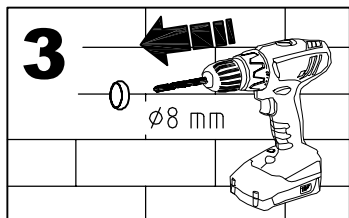
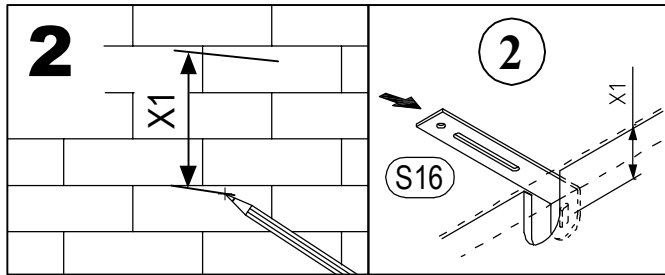
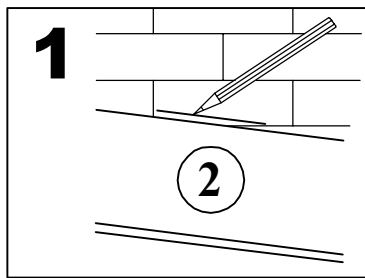
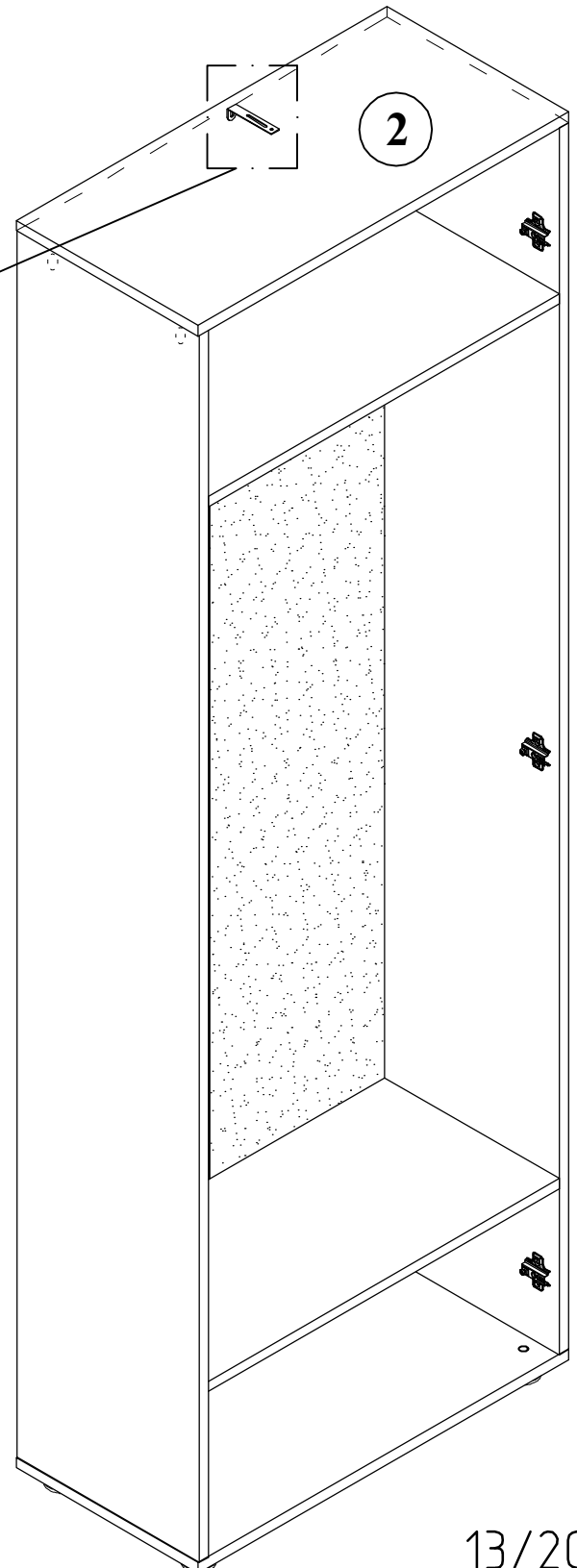
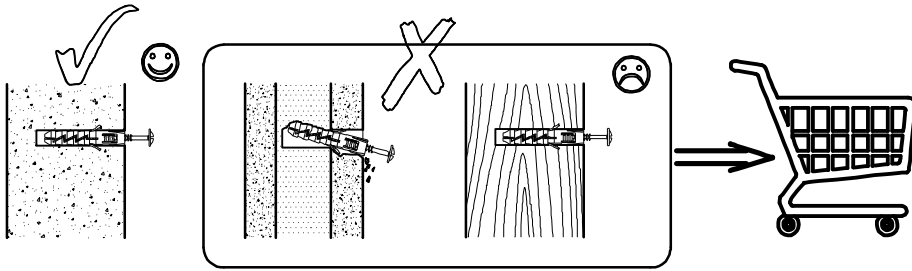
# 8



# HELEN wardrobe 2D

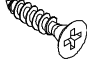
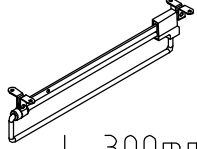
 <b>E-2</b> 4,2*16mm x2	 <b>E-5</b> 4,2*65mm x1	 <b>H5</b> 8*50mm x1
		 <b>S16</b> 260.54.900 x1

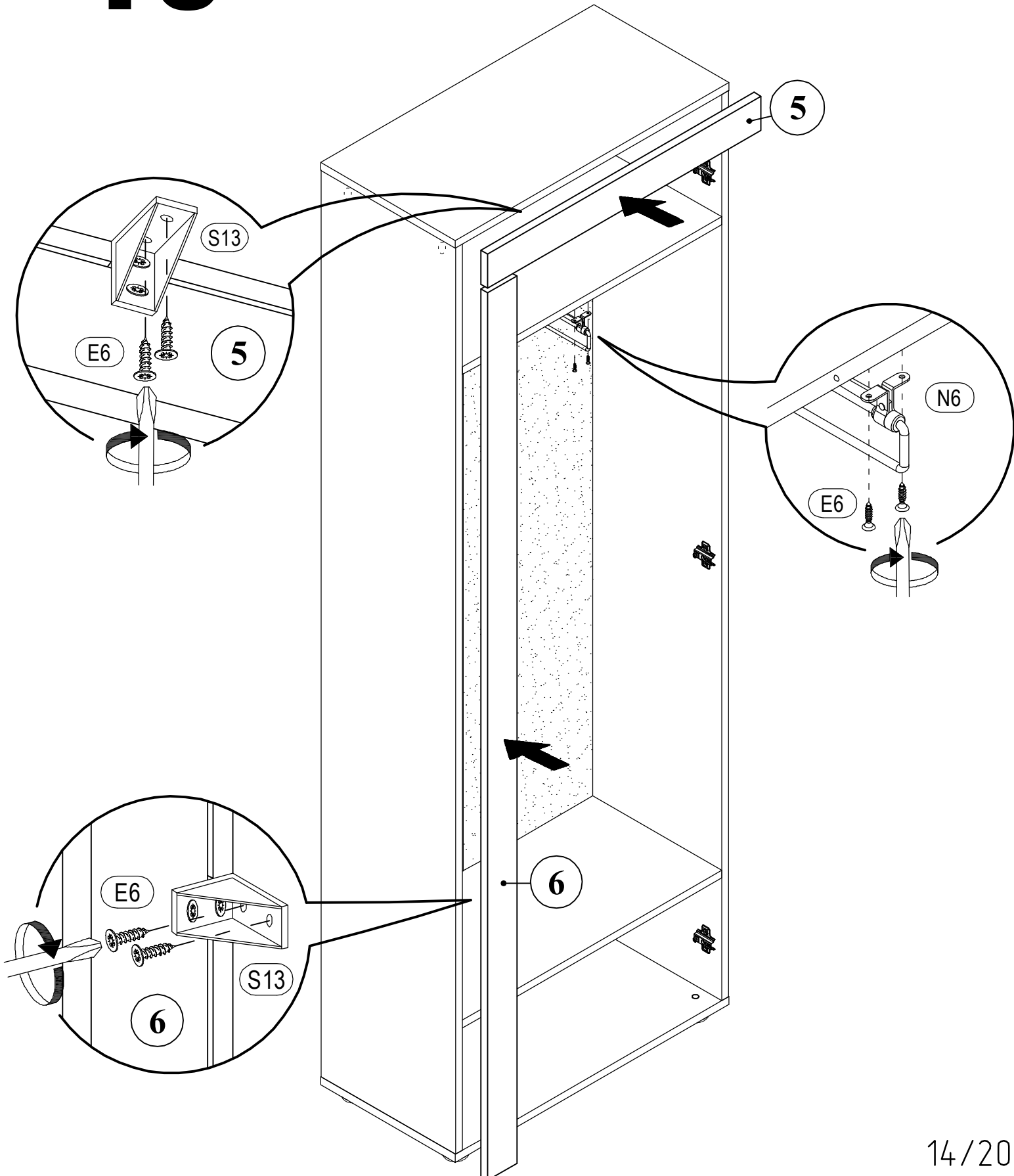
# 9



# HELEN wardrobe 2D

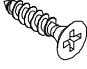
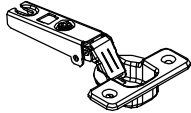
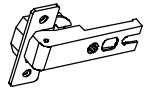
# 10

	
(E6) 3,5*16 x4	(N6) L-300mm x1

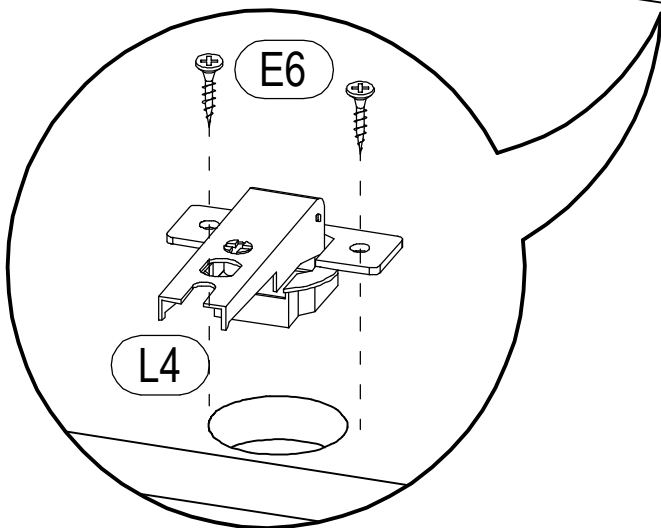
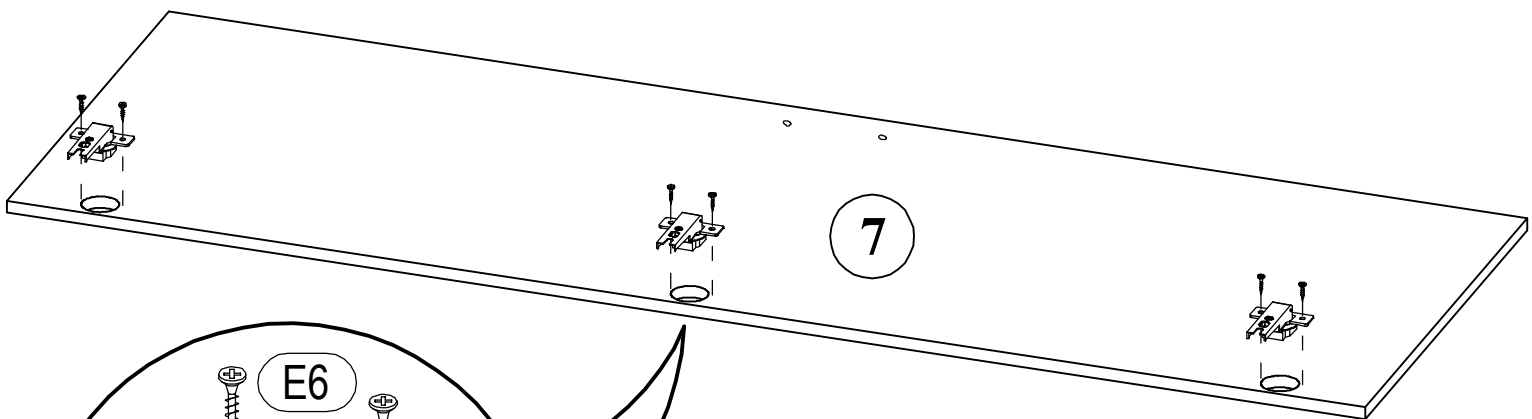
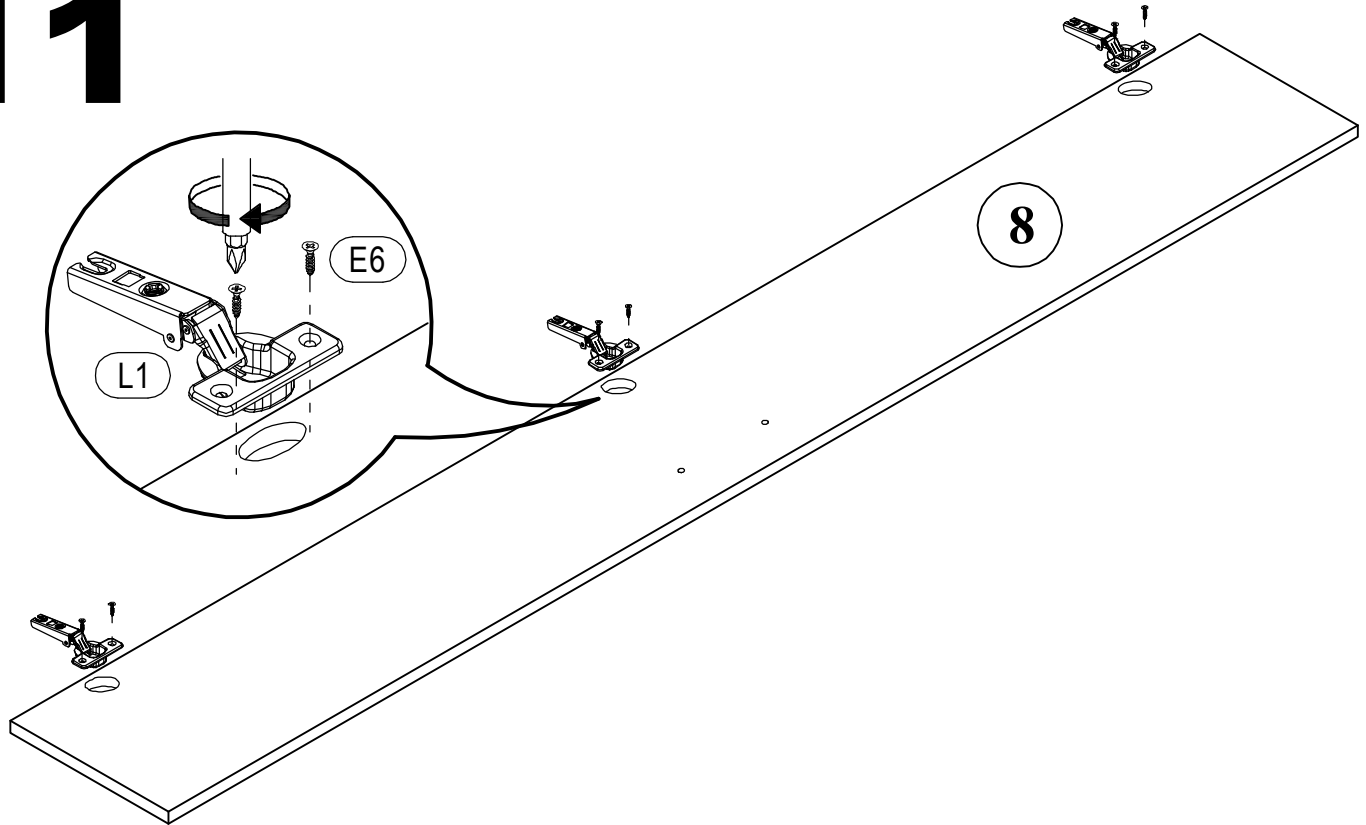


# HELEN

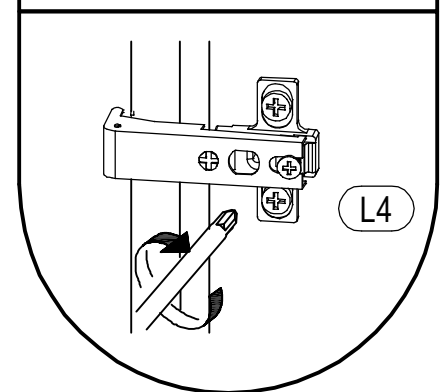
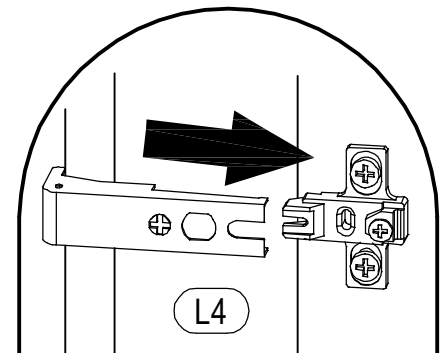
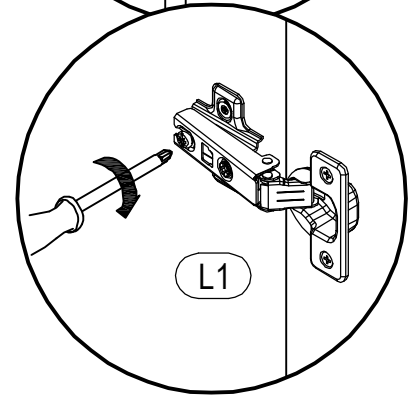
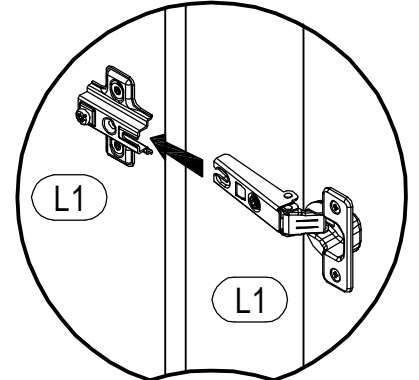
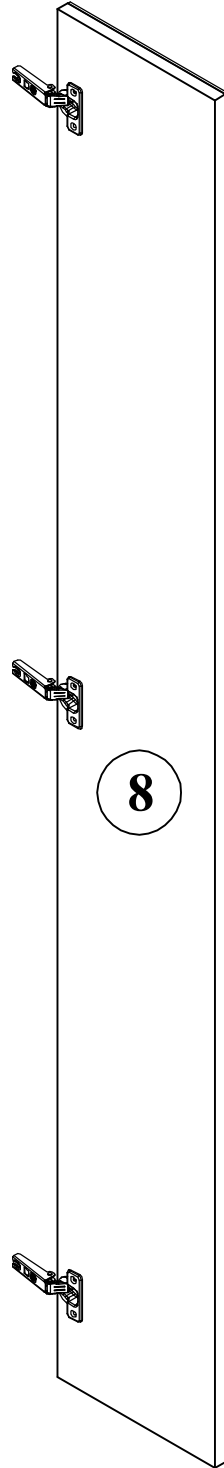
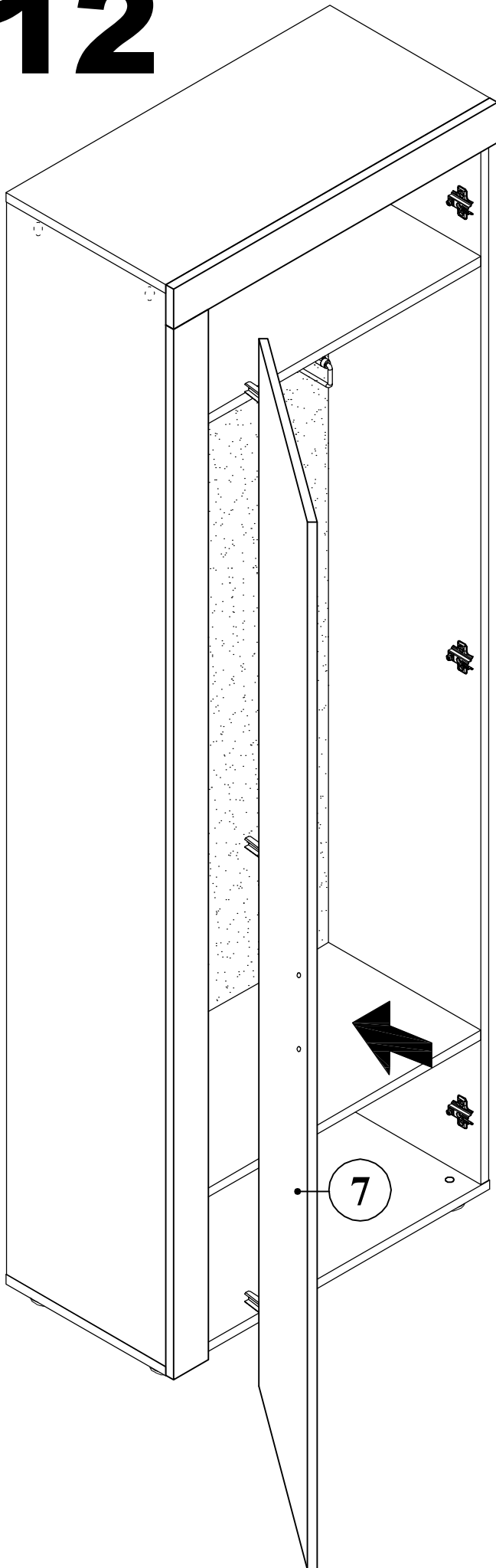
## wardrobe 2D

 E6 3,5*16 x12	 L1 x3	 L4 180° x3
--	--	---




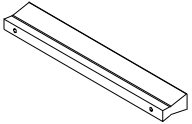

# 11



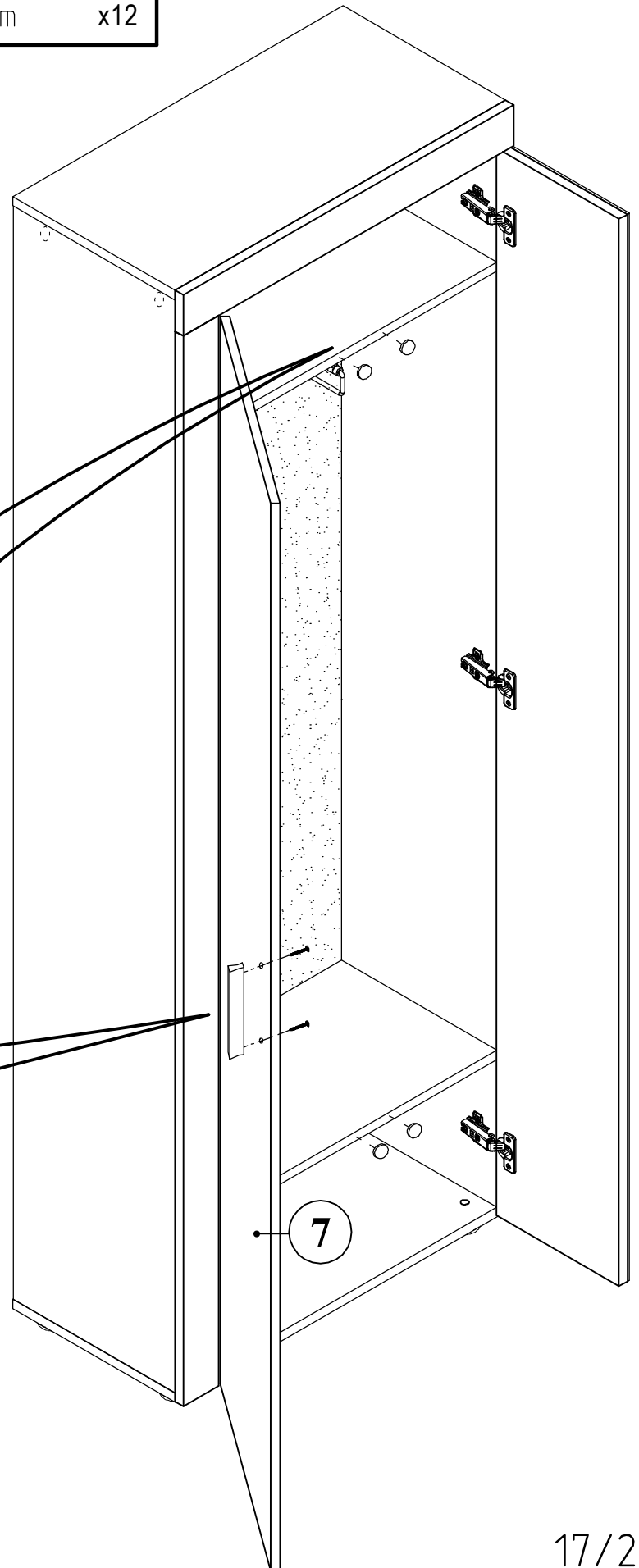
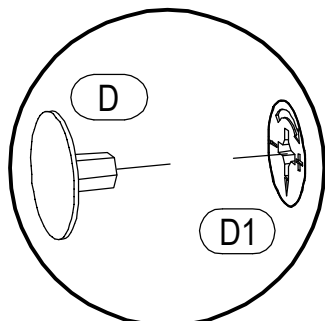
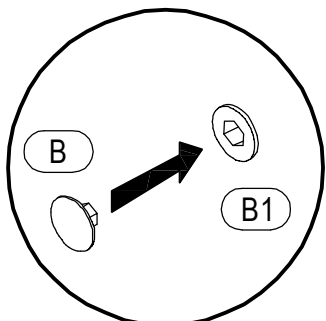
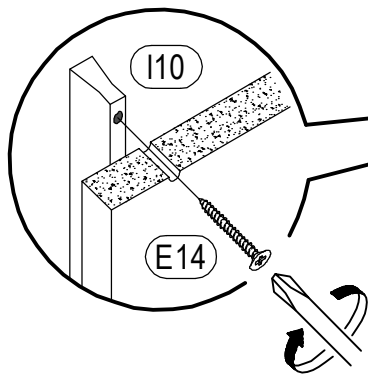
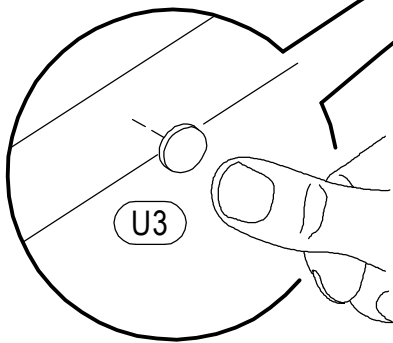
**12**



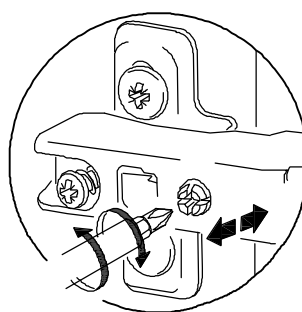
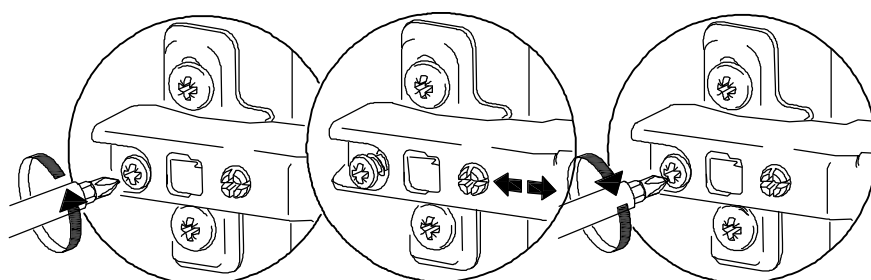
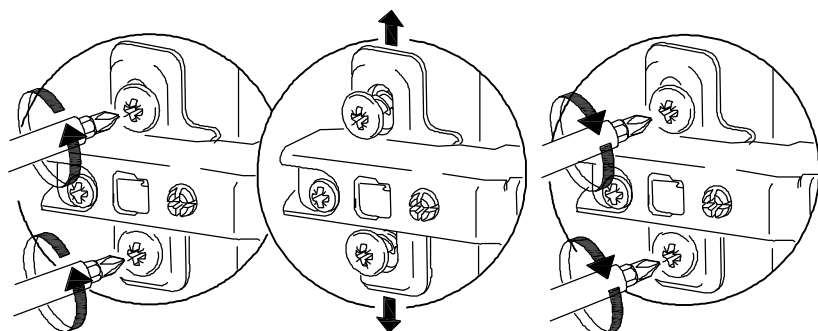
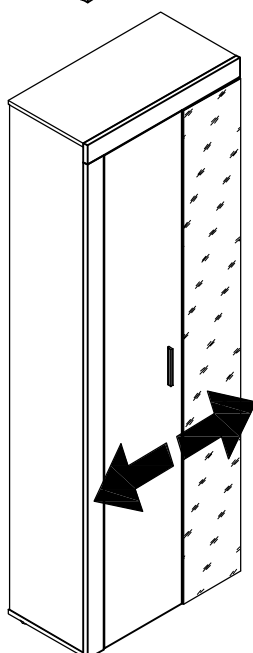
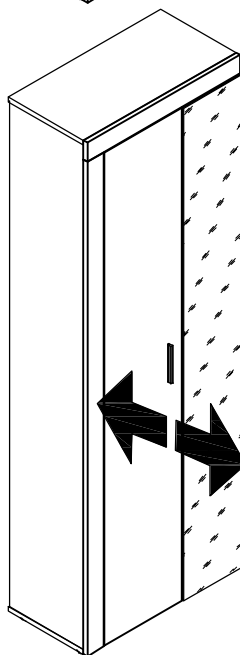
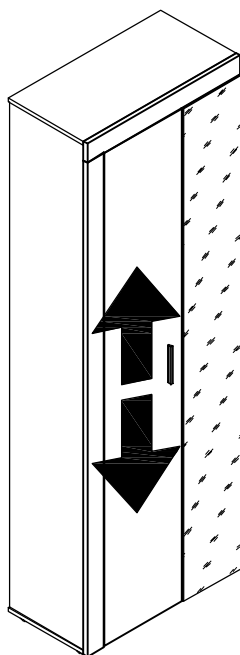


	<b>B</b>	∅12mm	x4		<b>D</b>	∅20mm	x12
	<b>E14</b>	4*25mm	x2				
	<b>I10</b>		x1				
	<b>U3</b>		x4				

**13**



# 14



# HELEN

## wardrobe 2D

