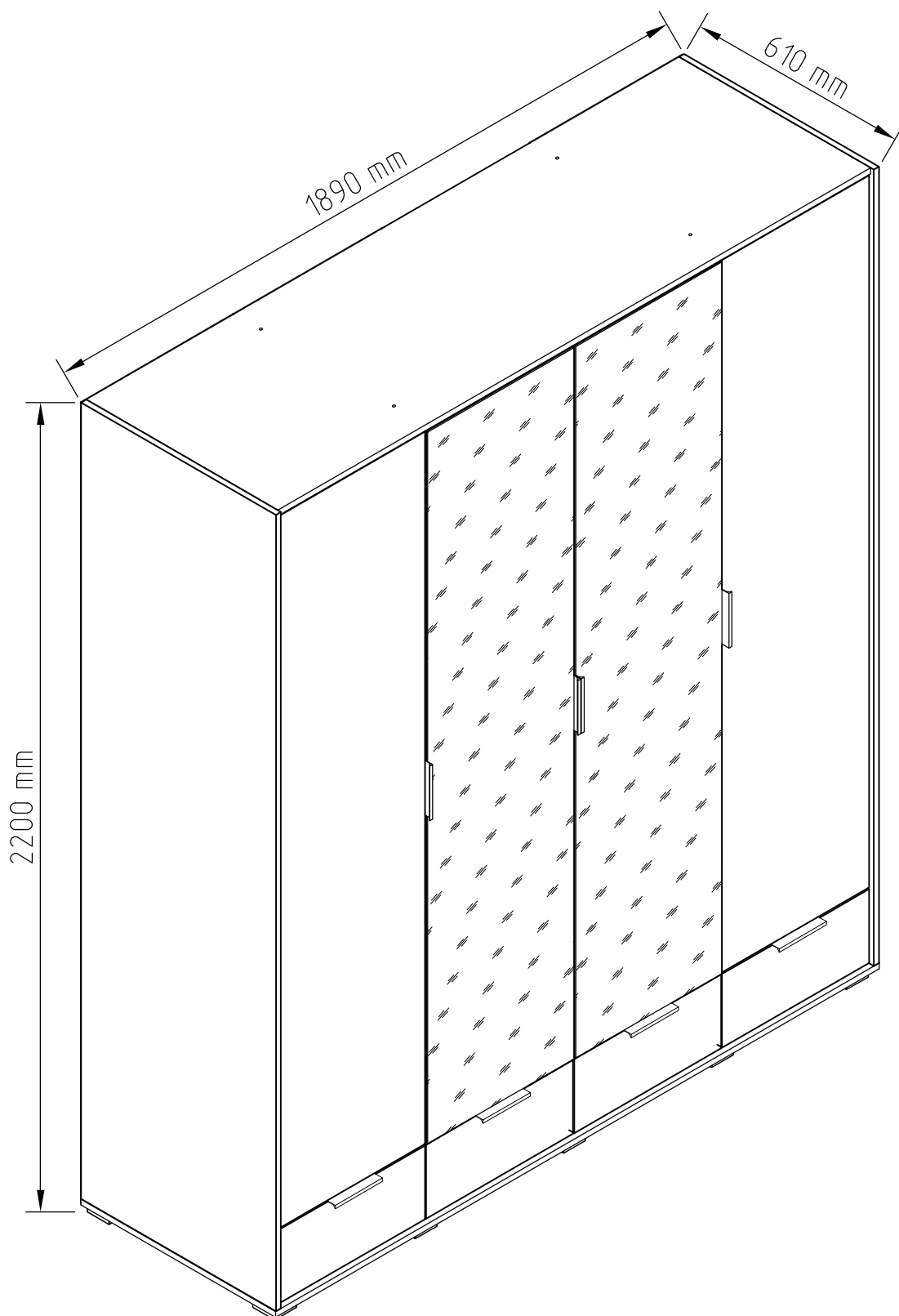
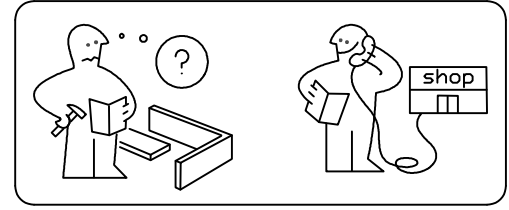
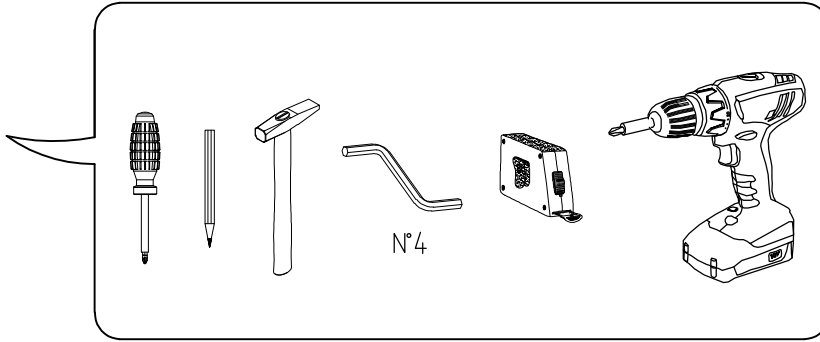
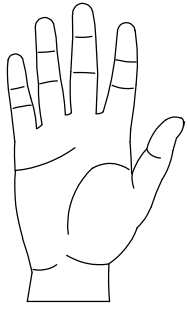
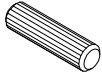
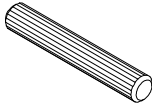

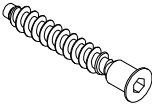
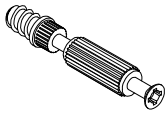
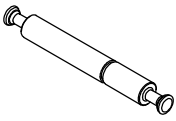




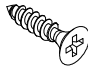
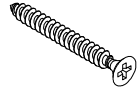


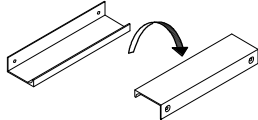
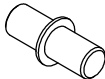
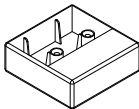
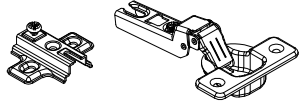
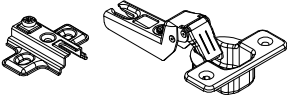
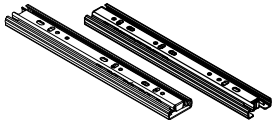



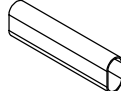



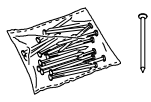

КАМІЛА / САМІЛА

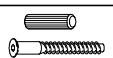
шафа 4ДЗ / wardrobe 4DM

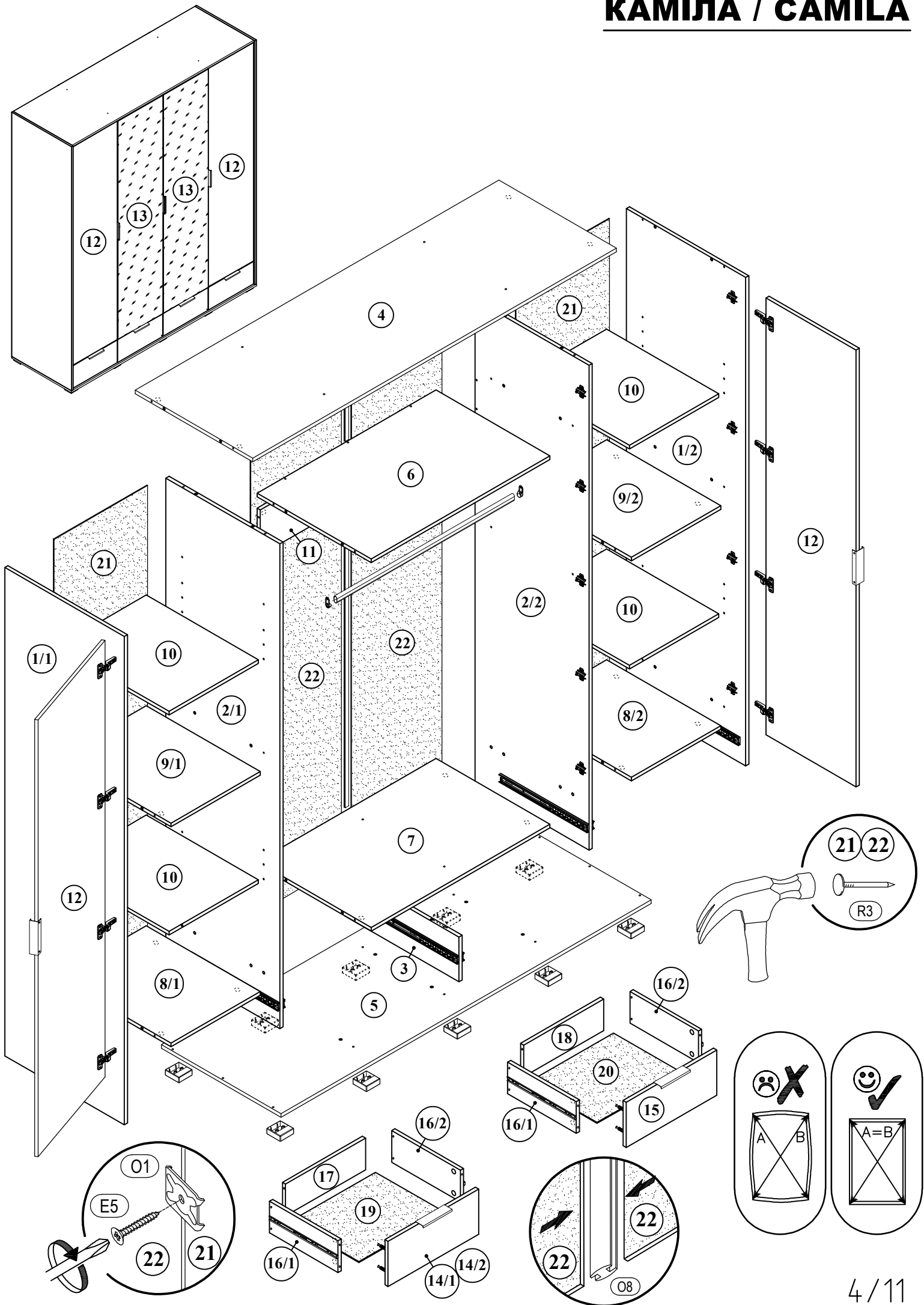


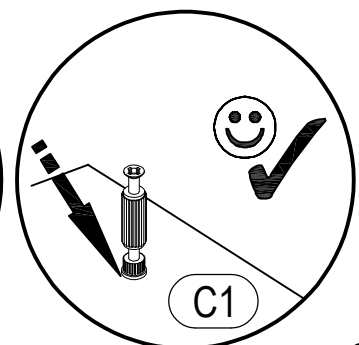
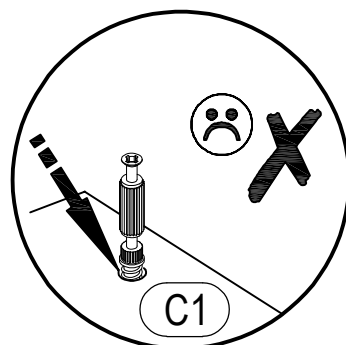
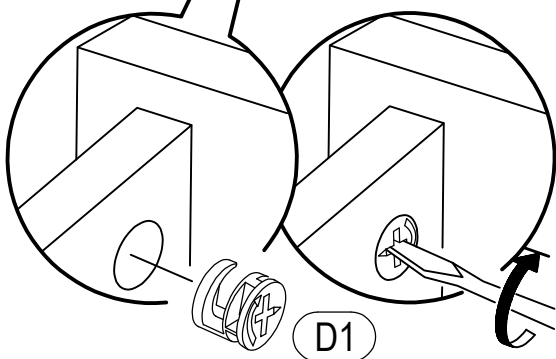
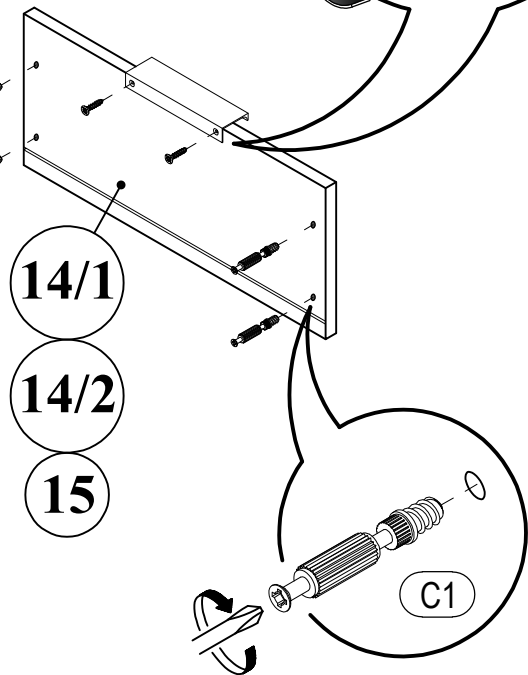
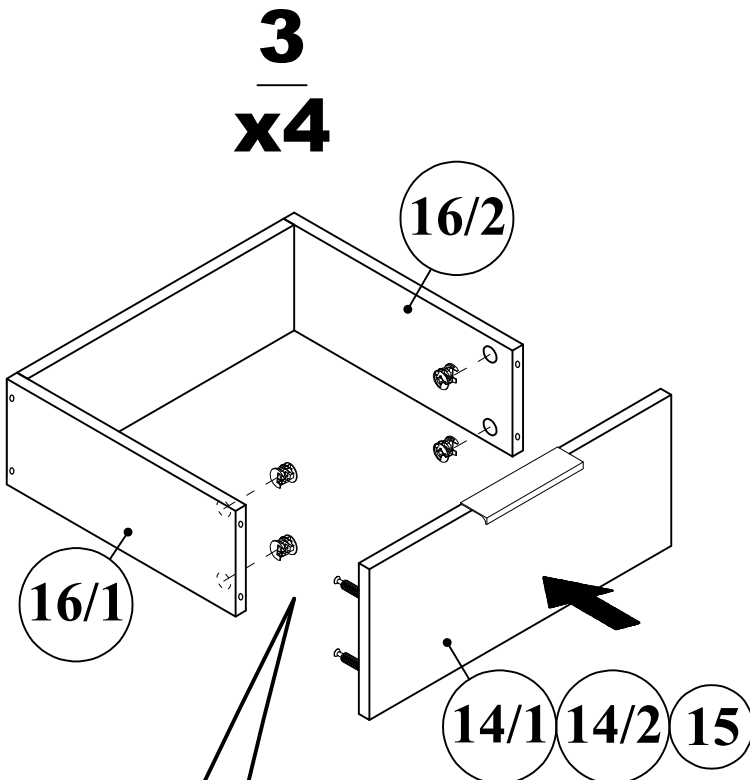
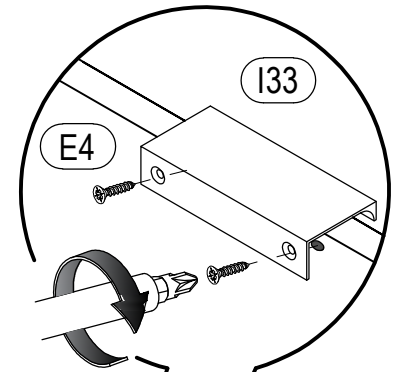
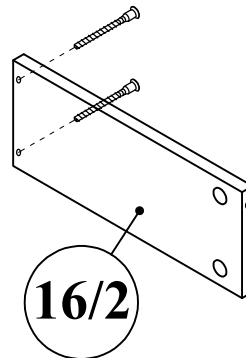
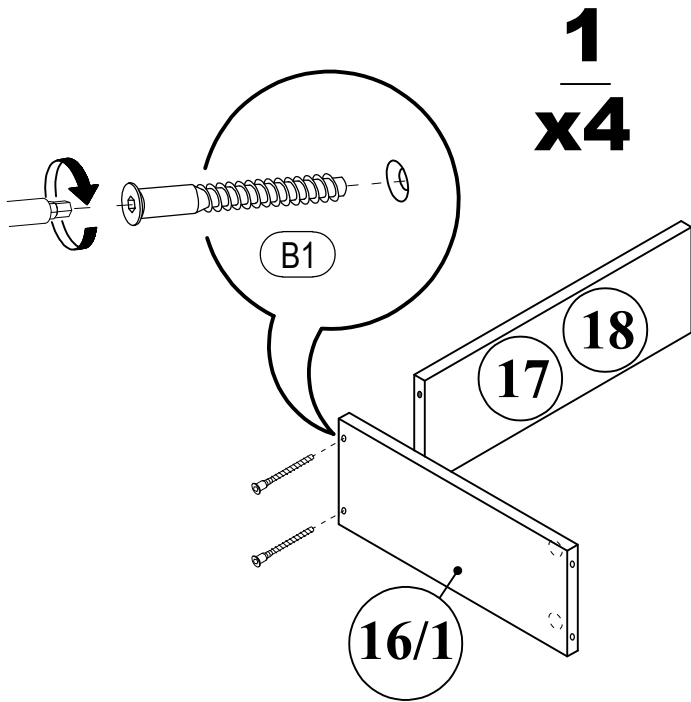


 A1 8*30mm x32	 A2 8*50mm x4	 B ϕ 12mm x49
 B1 6,3*50mm x49	 C1 6*43mm x28	 C2 8*65mm x4
 D ϕ 20mm x32	 D1 15/16 x36	 E4 3*15mm x16
 E5 3*20mm x22	 E6 3,5*16mm x84	 E16 4*35mm x20
 E-2 4,2*16mm x3	 F4 6,3*13mm x36	 I33 L-128 mm x8
 J1 5*16mm x16	 K4 x10	 L2 x10
 L3 x8	 M2 L-450mm x4	 O1 x22
 O8 L-298 mm x1	 O8 L-1411 mm x1	 P4 L-906mm x1

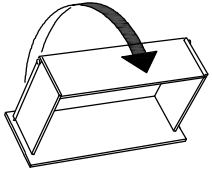
 P5	 R3	 U3
x2	1.4 * 25mm 100g	x8

№	a*b	x	№→...
1/1	2158x610	x1	2/6
1/2	2158x610	x1	2/6
2/1	2142x582	x1	3/6
2/2	2142x582	x1	3/6
3	198x582	x1	4/6
4	1856x600	x1	4/6
5	1890x610	x1	4/6
6	912x582	x1	1/6
7	912x582	x1	1/6
8/1	456x582	x1	4/6
8/2	456x582	x1	4/6
9/1	456x582	x1	5/6
9/2	456x582	x1	5/6
10	455x572	x4	5/6
11	200x912	x1	4/6
12	1930x460	x2	5/6
13	1930x460	x2	6/6
14/1	460x200	x1	1/6
14/2	460x200	x1	1/6
15	460x200	x2	1/6
16/1	450x140	x4	1/6
16/2	450x140	x4	1/6
17	398x140	x2	1/6
18	390x140	x2	1/6
19	427x453	x2	1/6
20	419x453	x2	1/6
21	2170x477	x2	3/6
22	2170x462	x2	3/6
		x1	1/6

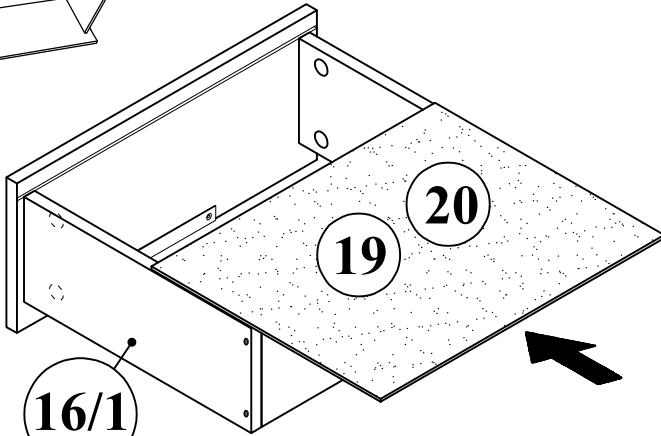
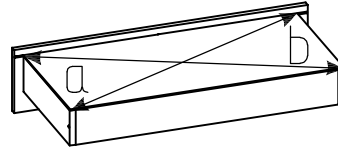




4
x4

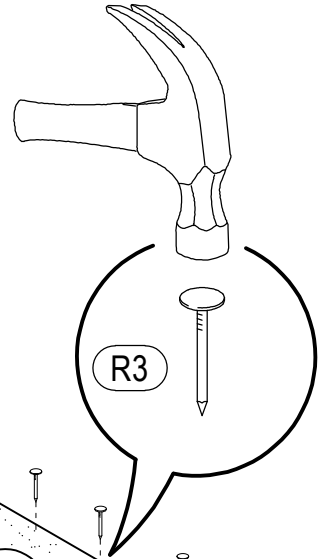


$a = b$

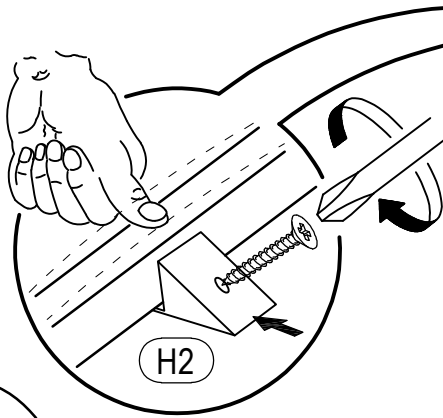


16/1

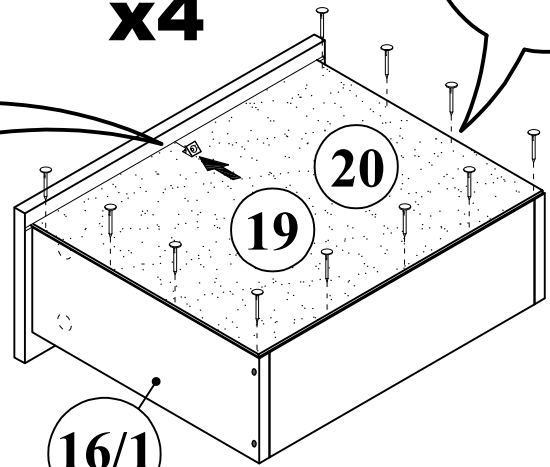
5
x4



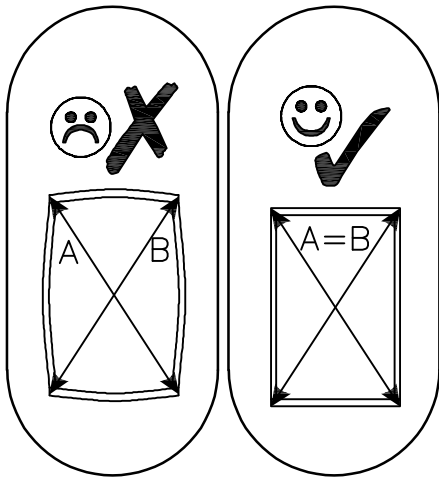
R3



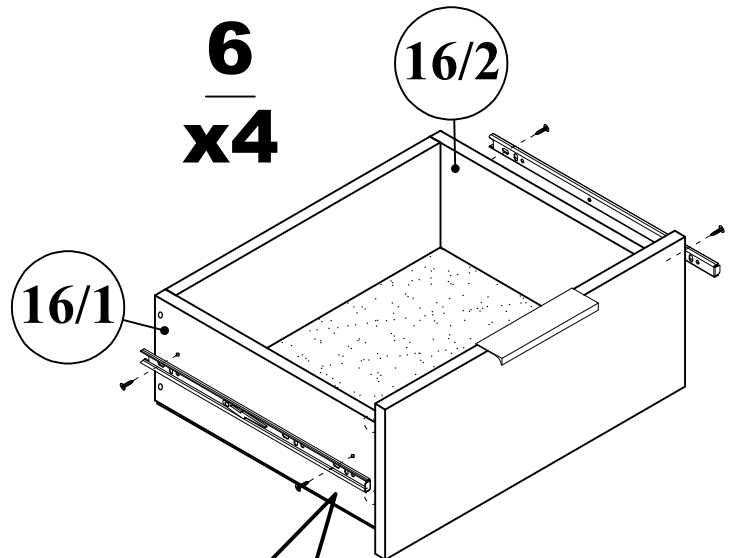
H2



16/1

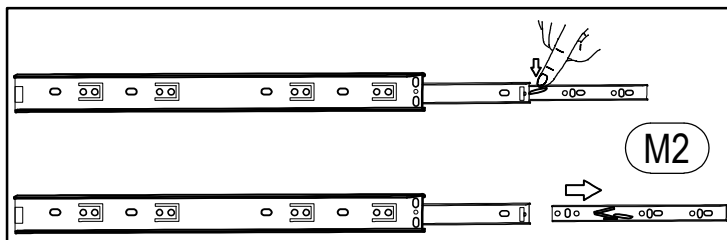


6
x4

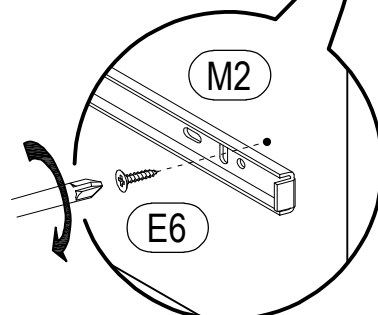
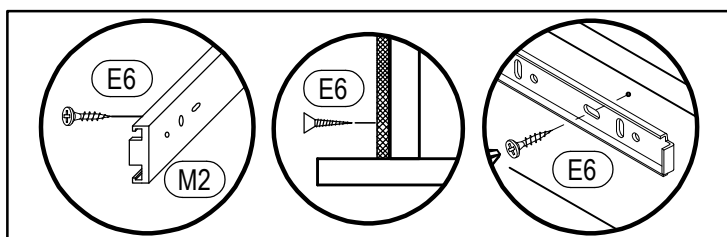


16/1

16/2



M2



M2

E6

