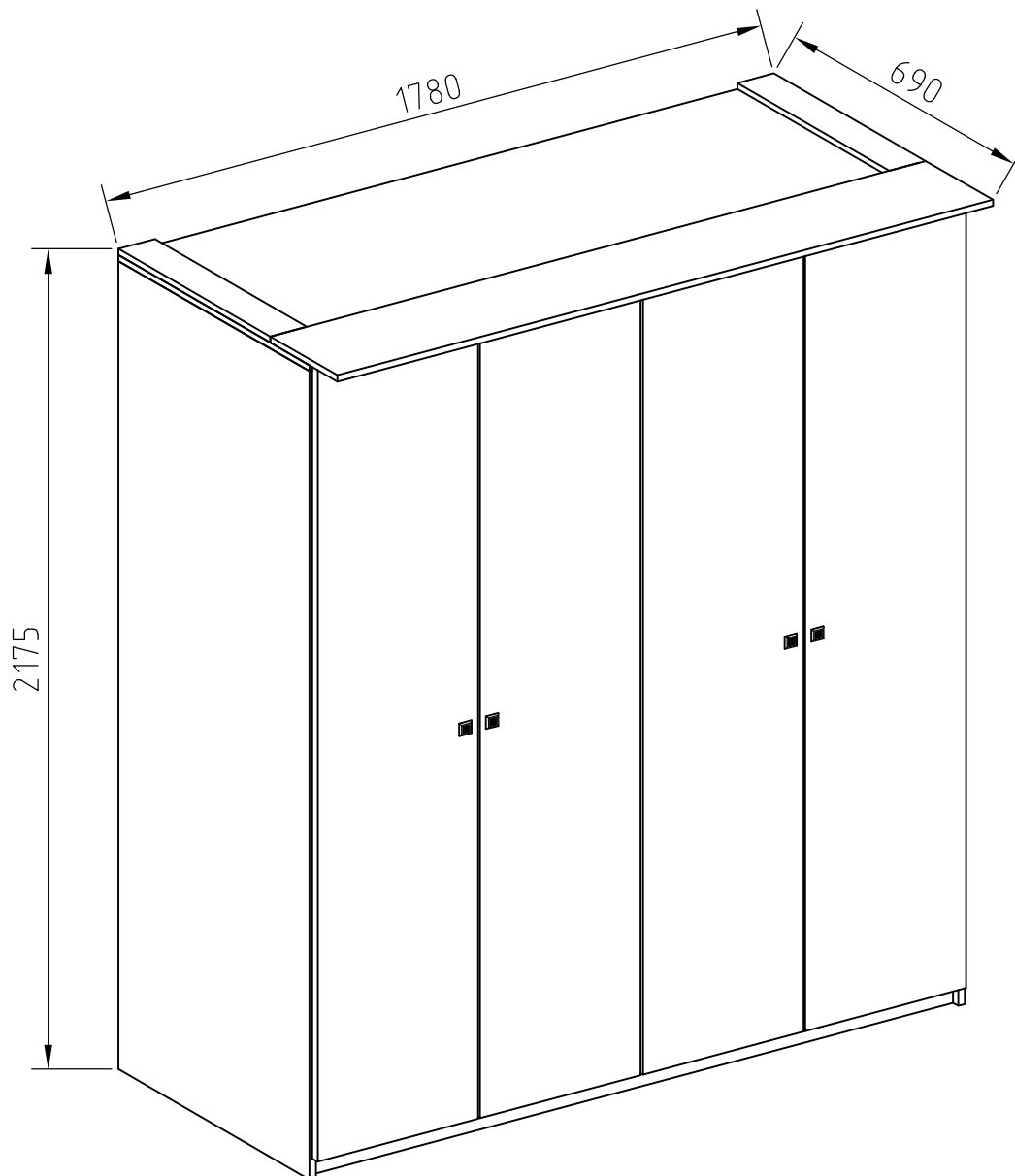
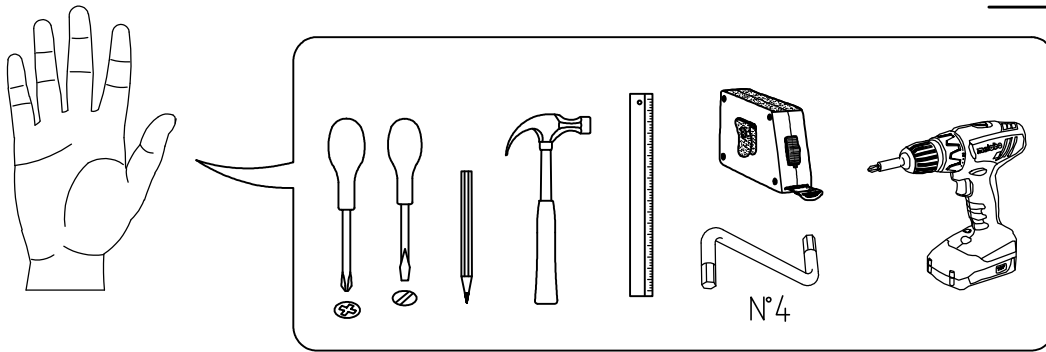


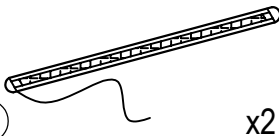

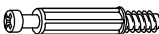

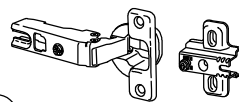
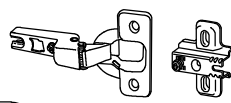



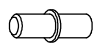
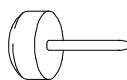

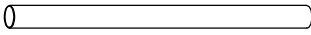
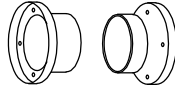
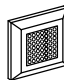


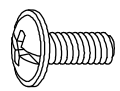

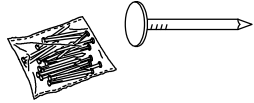


# **FELICIA NEW**

## **WARDROBE 4D**

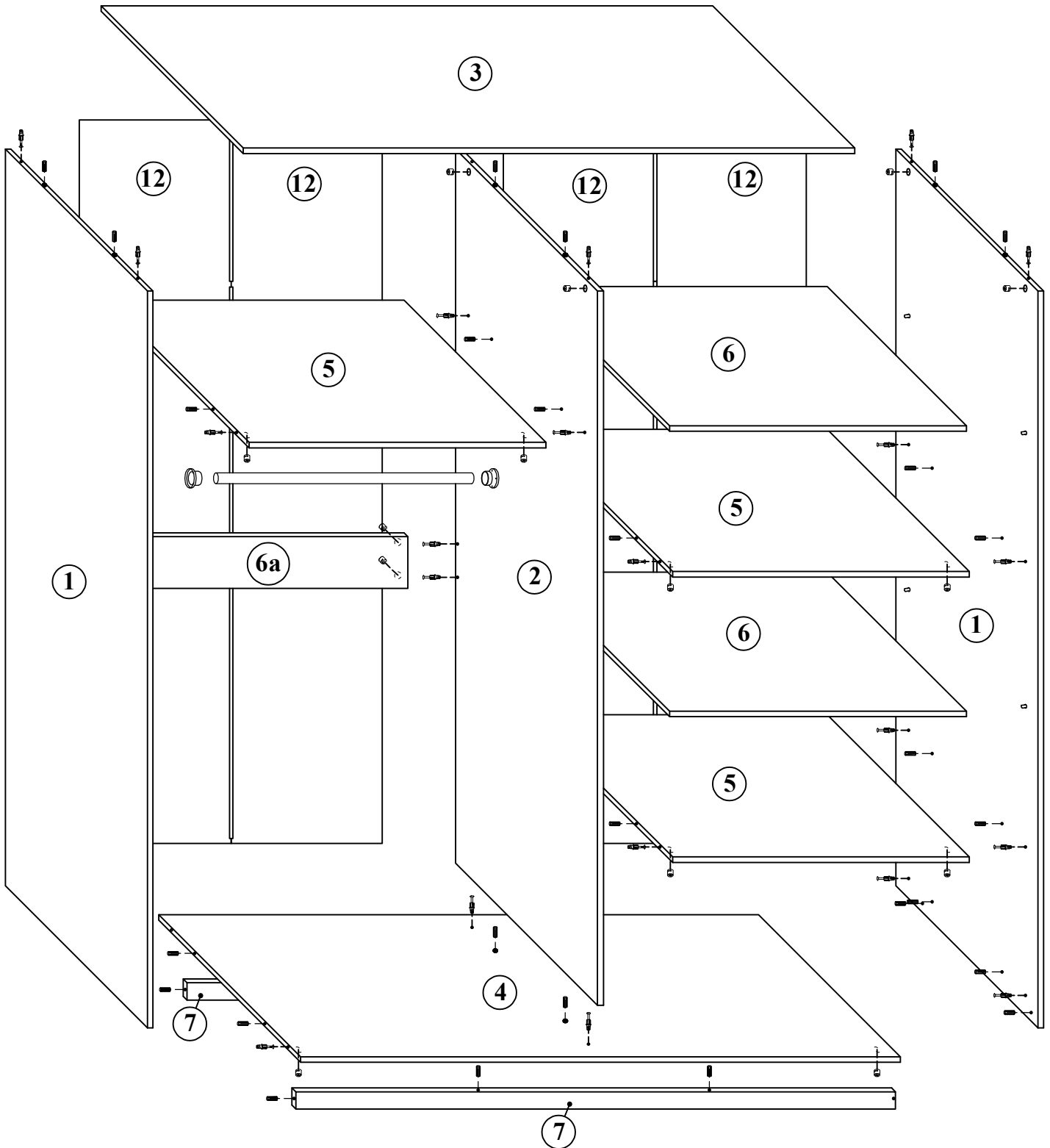




 <p>AT1 x2</p>	 <p>D x28</p>	 <p>C1 5*30mm x28</p>
 <p>D1 16mm x28</p>	 <p>L1 x10</p>	 <p>L2 x10</p>
 <p>F5 6,3*13mm x20</p>	 <p>E9 4*16mm x46</p>	 <p>A1 8*30mm x32</p>
 <p>J1 5*16mm x8</p>	 <p>K1 x6</p>	 <p>E10 4*30mm x10</p>
 <p>P1 d-25mm L-858 x1</p>	 <p>P3 R-11M/25 x2</p>	 <p>I12 x4</p>
 <p>H1 M 4 x4</p>	 <p>G4 M 4*20mm x4</p>	 <p>G1 M 4*8mm x20</p>
 <p>G15 x10</p>	 <p>R2 1.4*25MM 0.08kg</p>	






<b>No</b>	<b>a*b</b>	<b>x</b>
1	2140x584	2
2	2072x584	1
3	1778x584	1
4	1740x584	1
5	861x584	3
6	861x570	2
6a	861x150	1
7	1740x50	2
8	1778x206	1
9	464x100	2
10	2100x440	2
11	2100x440	2
12	2105x442	4
13	L=858MM	1
14	L=1620MM	2
15	L=450MM	2

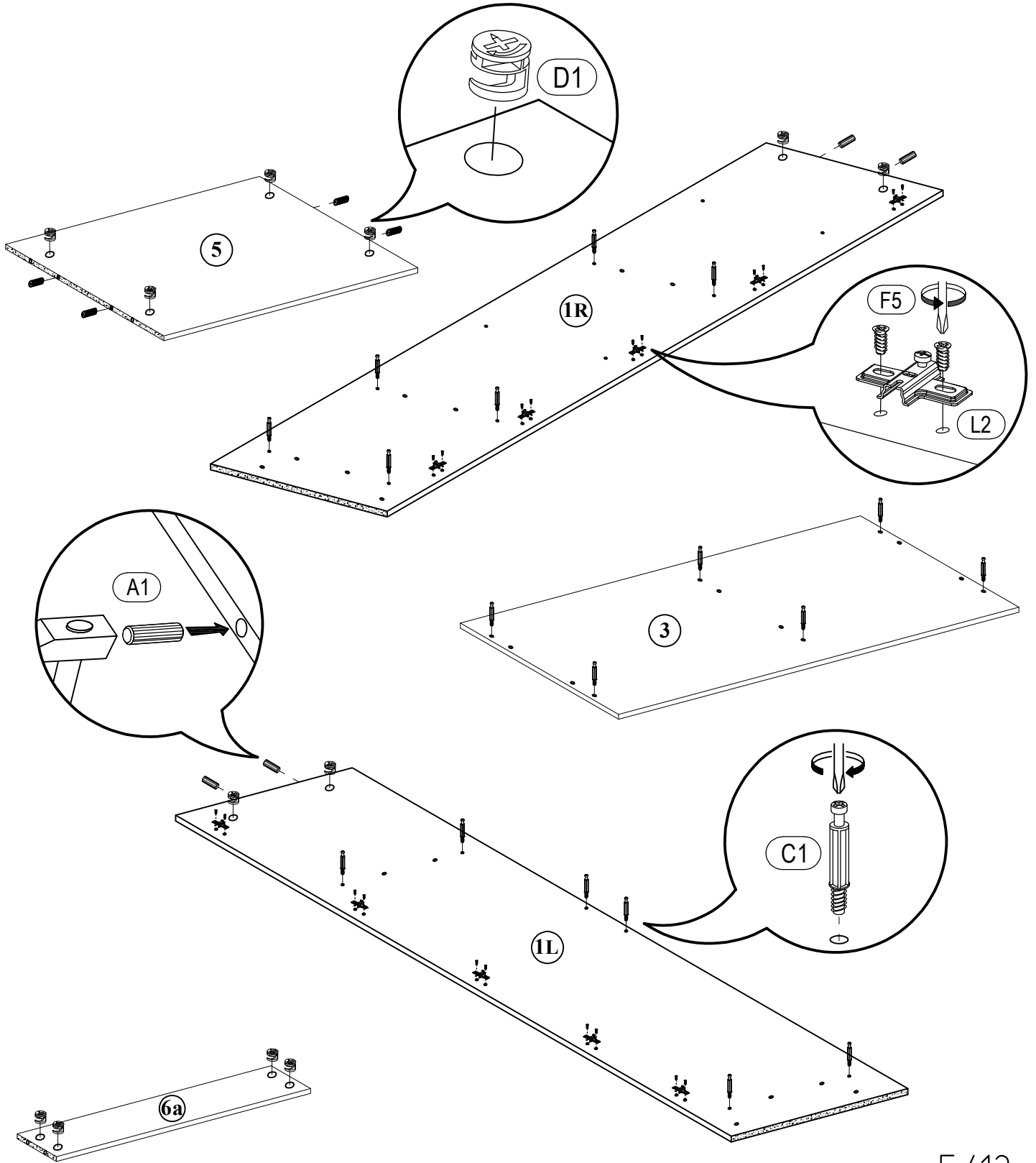
# FELICIA NEW



# FELICIA NEW

# 1

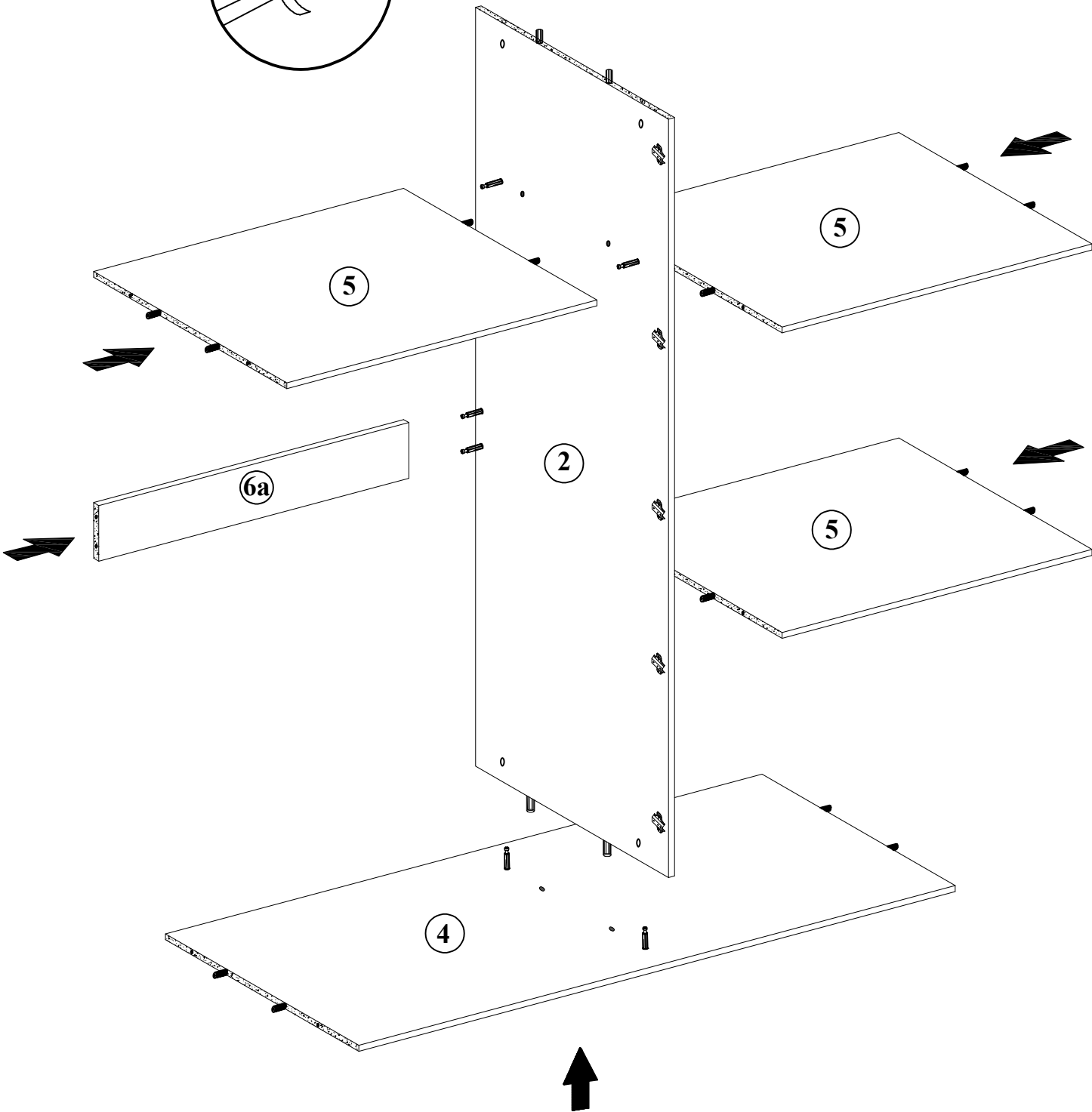
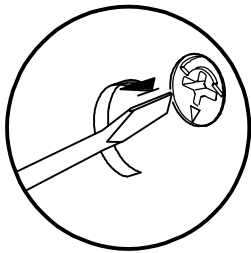
 <b>(C1)</b> 5*30mm x18	 <b>(D1)</b> 16mm x16	 <b>(A1)</b> 8*30mm x16
 x10	 <b>(F5)</b> 6,3*13mm x20	



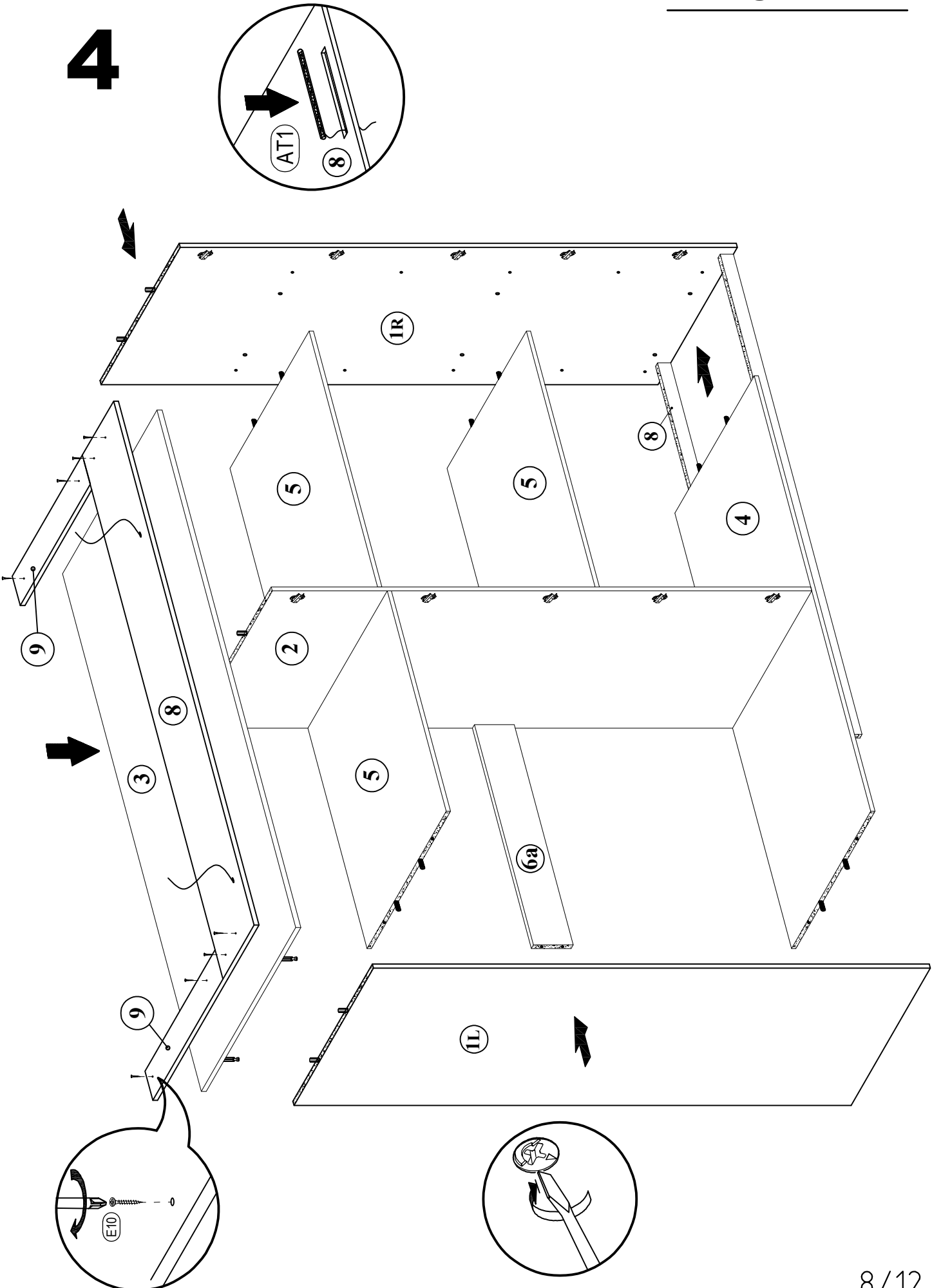


**FELICIA NEW**

**3**


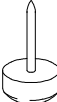



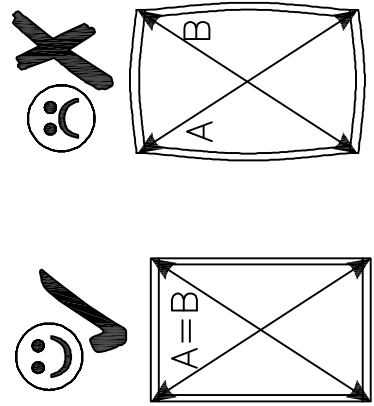
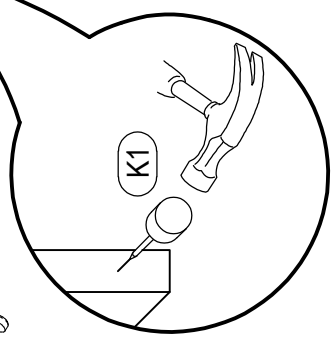
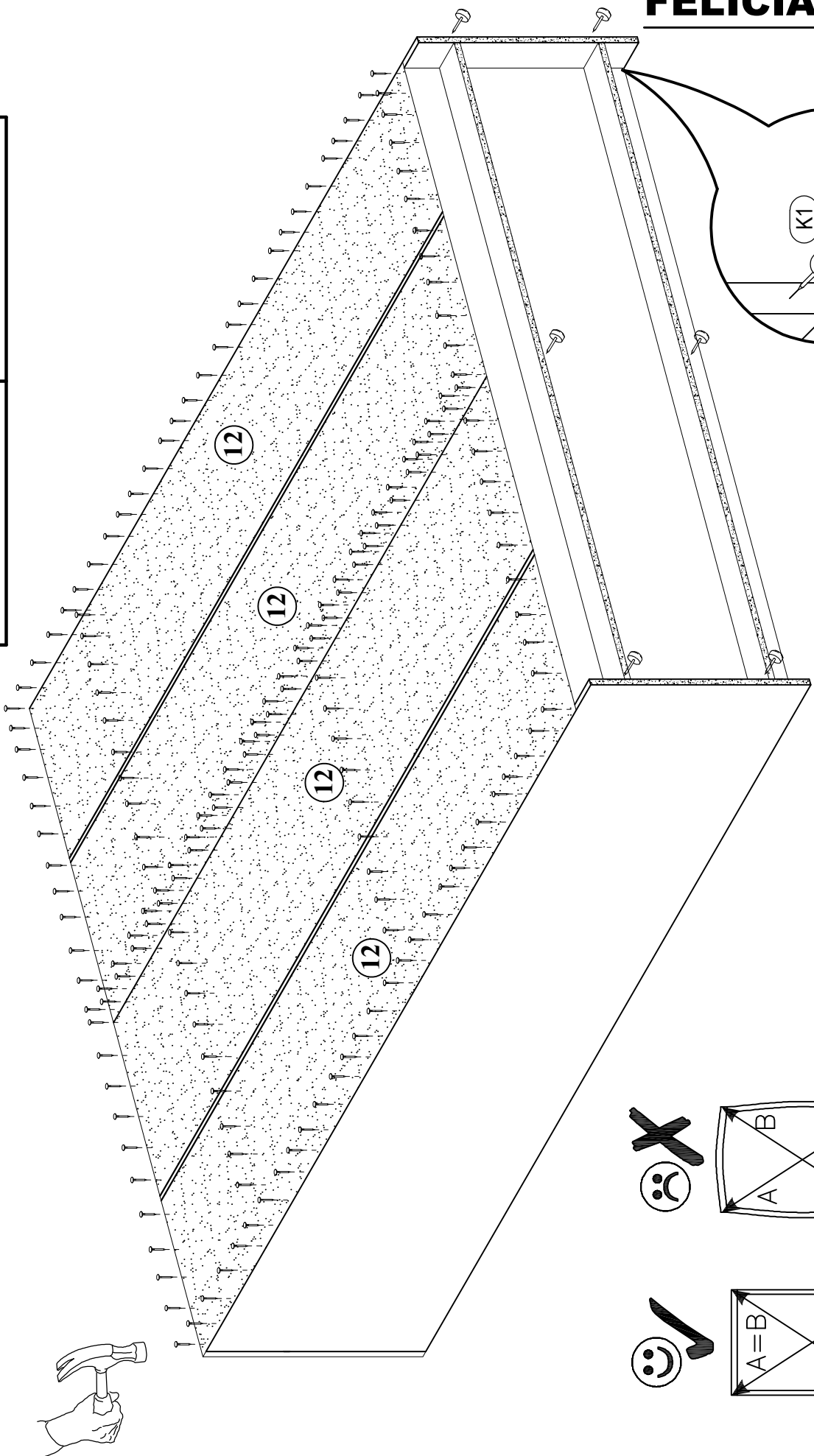
**4**





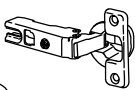
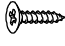
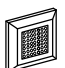
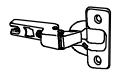


5

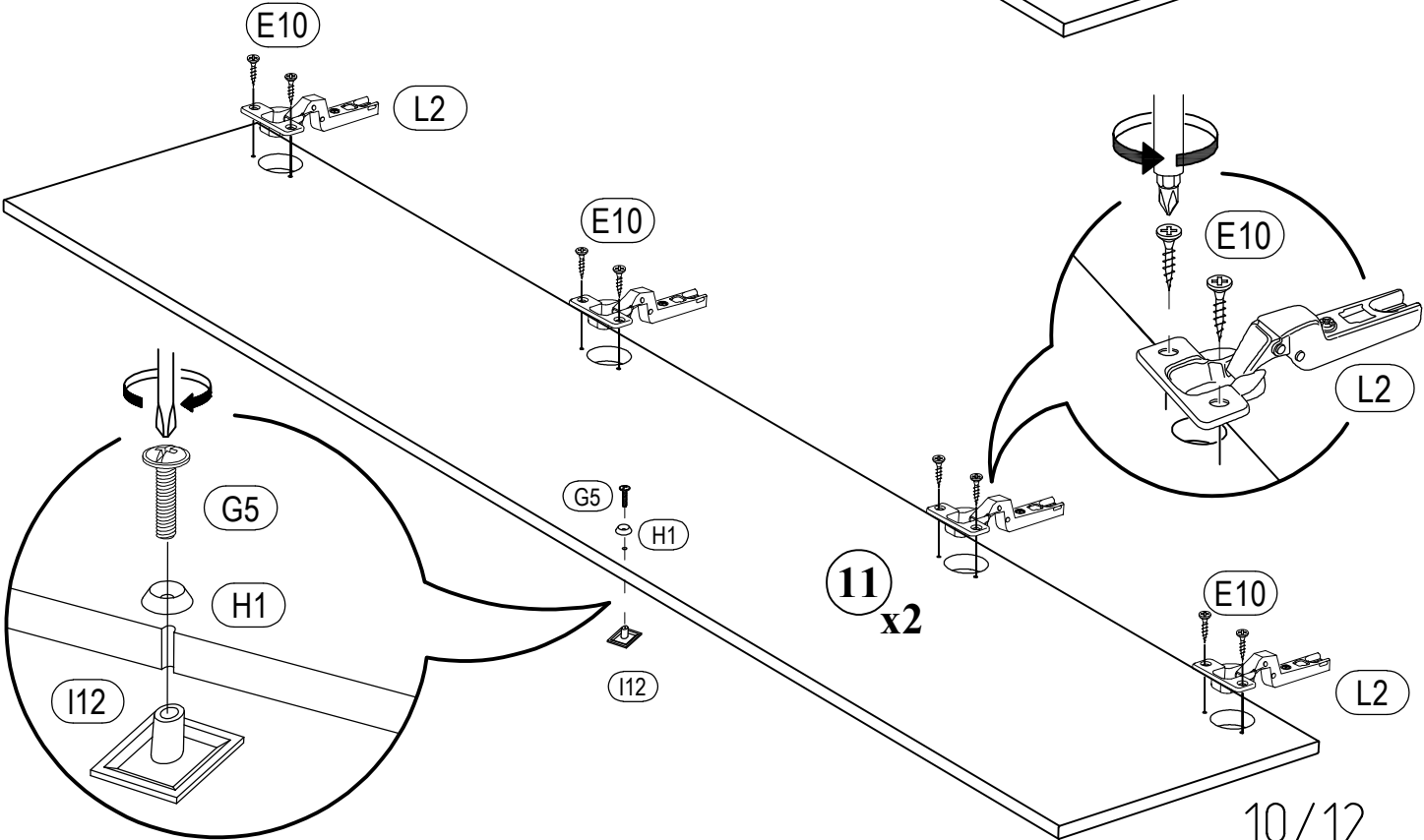
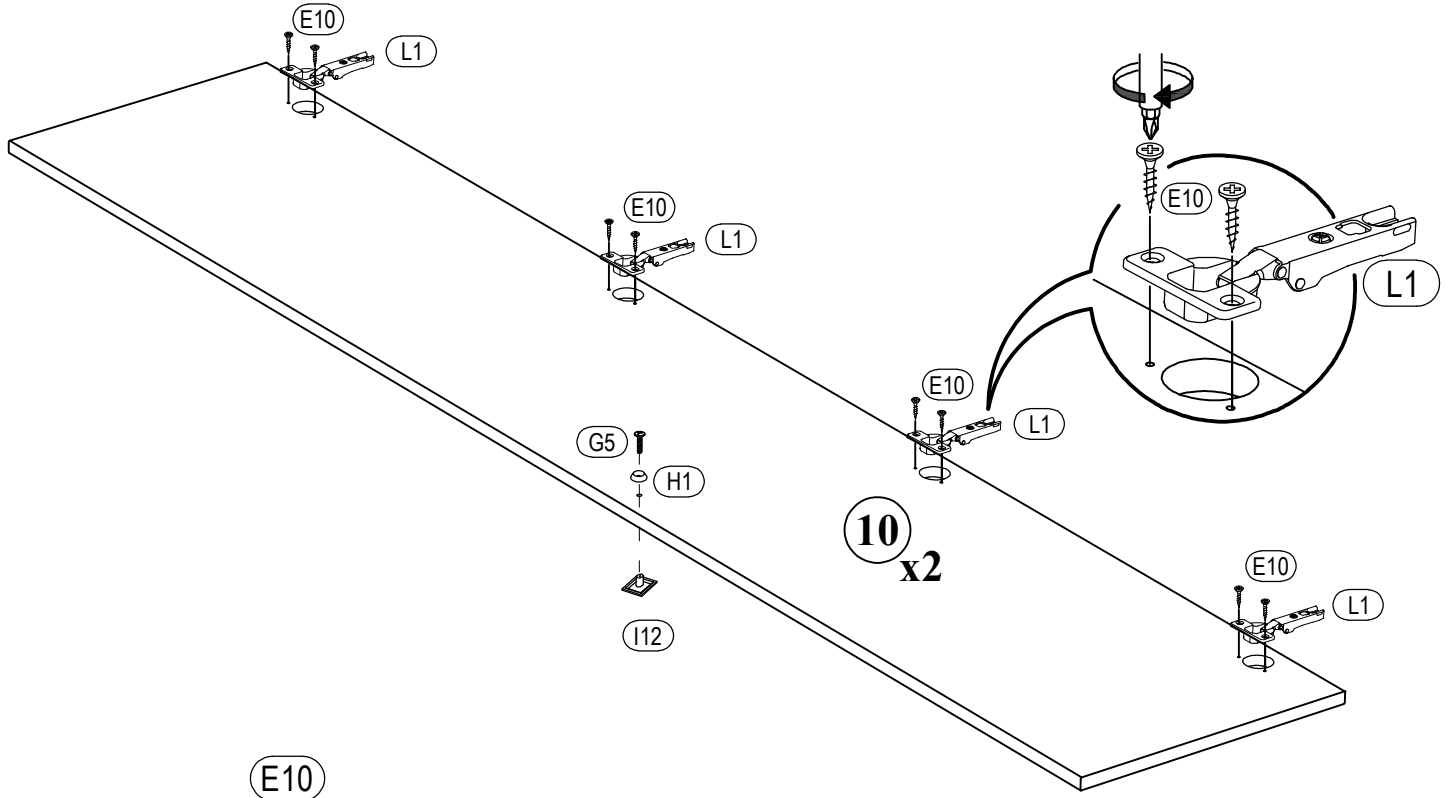
		K1	x6
	14*25mm	R3	0.07kg




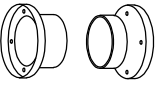
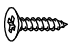


# FELICIA NEW

# 6

 (L1) x10	 (E10) 4*16mm x40	 (I12) x4
 (L2) x10	 (G5) M 4*20MM x4	 (H1) M 4 x4



# 7

 P1 d-25MM L-858 x1	 P3 R-11M/25 x2	 E10 4*16mm x6
 J1 x8	 D x28	

