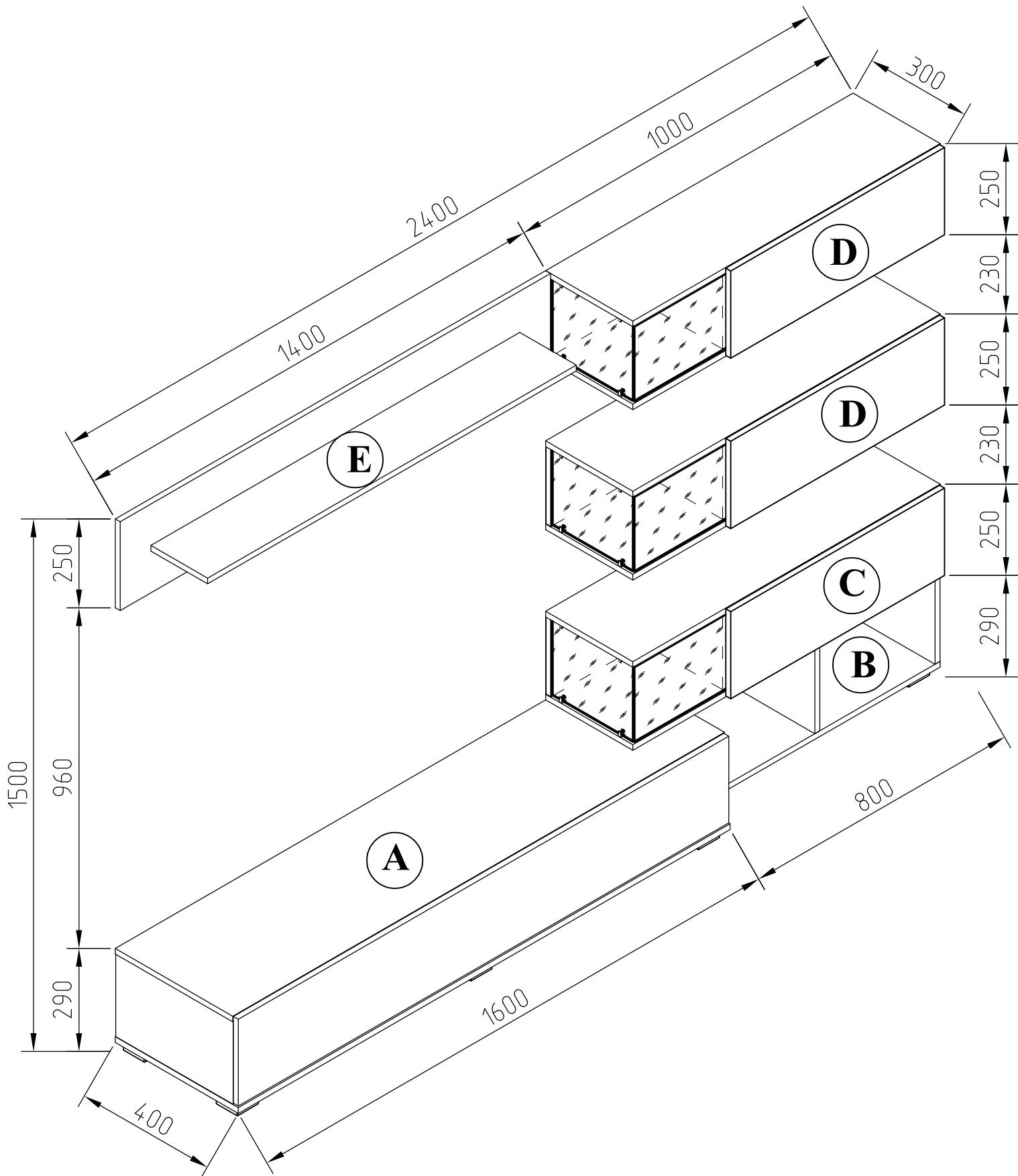
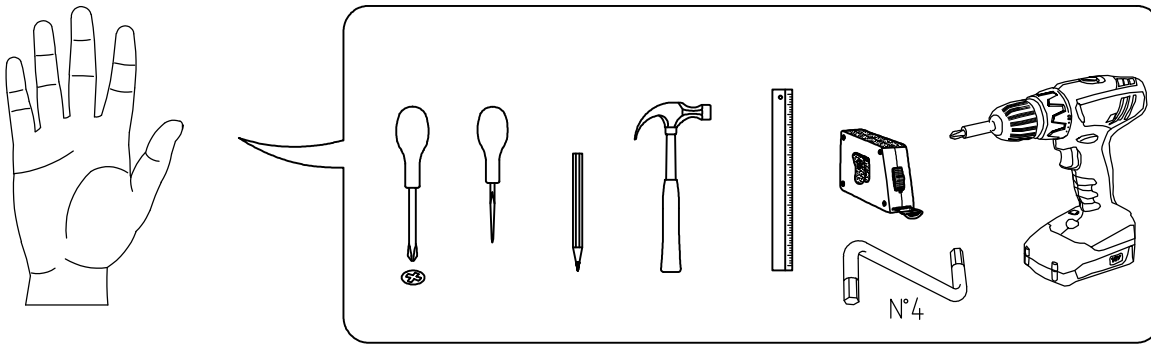


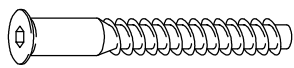
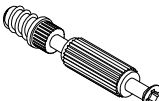
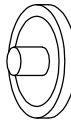

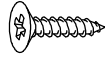
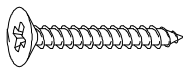
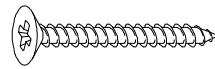
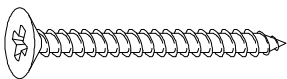

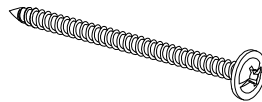

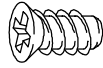
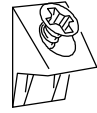
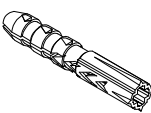
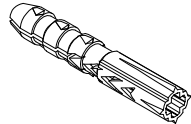

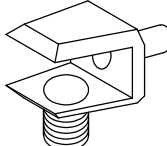
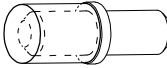
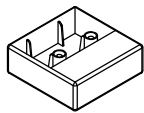
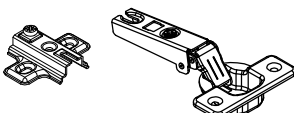
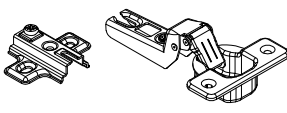
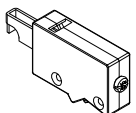
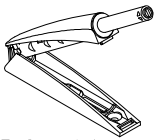
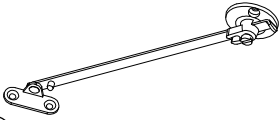
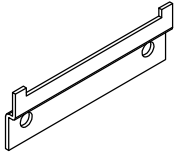
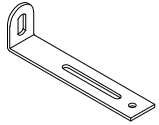
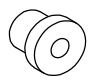


Лего / Lego





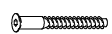
 A1 8*30mm x64	 B x17	 B1 6,3*50mm x17
 C1 6*43mm x44	 D x44	 D1 16mm x44
 E6 3,5*16mm x50	 E15 4*30mm x10	 E16 4*35mm x22
 E25 6*60mm x8	 E-2 4,2*16mm x17	 E-5 4,2*65mm x5
 F1 5,0*9mm x6	 F4 6,3*13mm x18	 H2 RV-8 x32
 H5 8*50mm x5	 H6 10*50mm x8	 H14 PD 35 x3
 J3 x12	 J4 5*16mm x3	 K4 x11
 L1 x6	 L3 x3	 N1 x4

 (N21) P20 Magnet x4	 (N16) L-225mm x5	 (O4) x4
	 (S16) 260.54.900 x2	 (U7) M6 x9

A

No	a*b	x	N°→...
1L	233x382	x1	1/3
1R	233x382	x1	1/3
2	233x368	x2	1/3
3	1600x382	x1	1/3
4	1600x400	x1	1/3
5	1596x244	x1	3/3
6	1575x242	x1	1/3

B

No	a*b	x	N°→...
1	249x284	x2	3/3
2	800x284	x1	2/3
		x1	3/3

С

№	a*b	x	№→...
1R	218x284	x1	1/3
2	275x218	x1	1/3
3	262x211	x1	3/3
4	1000x284	x1	2/3
5	1000x284	x1	2/3
6	300x218	x1	3/3
7	696x246	x1	3/3
8	320x211	x1	3/3
9	675x227	x1	2/3

Д x 2

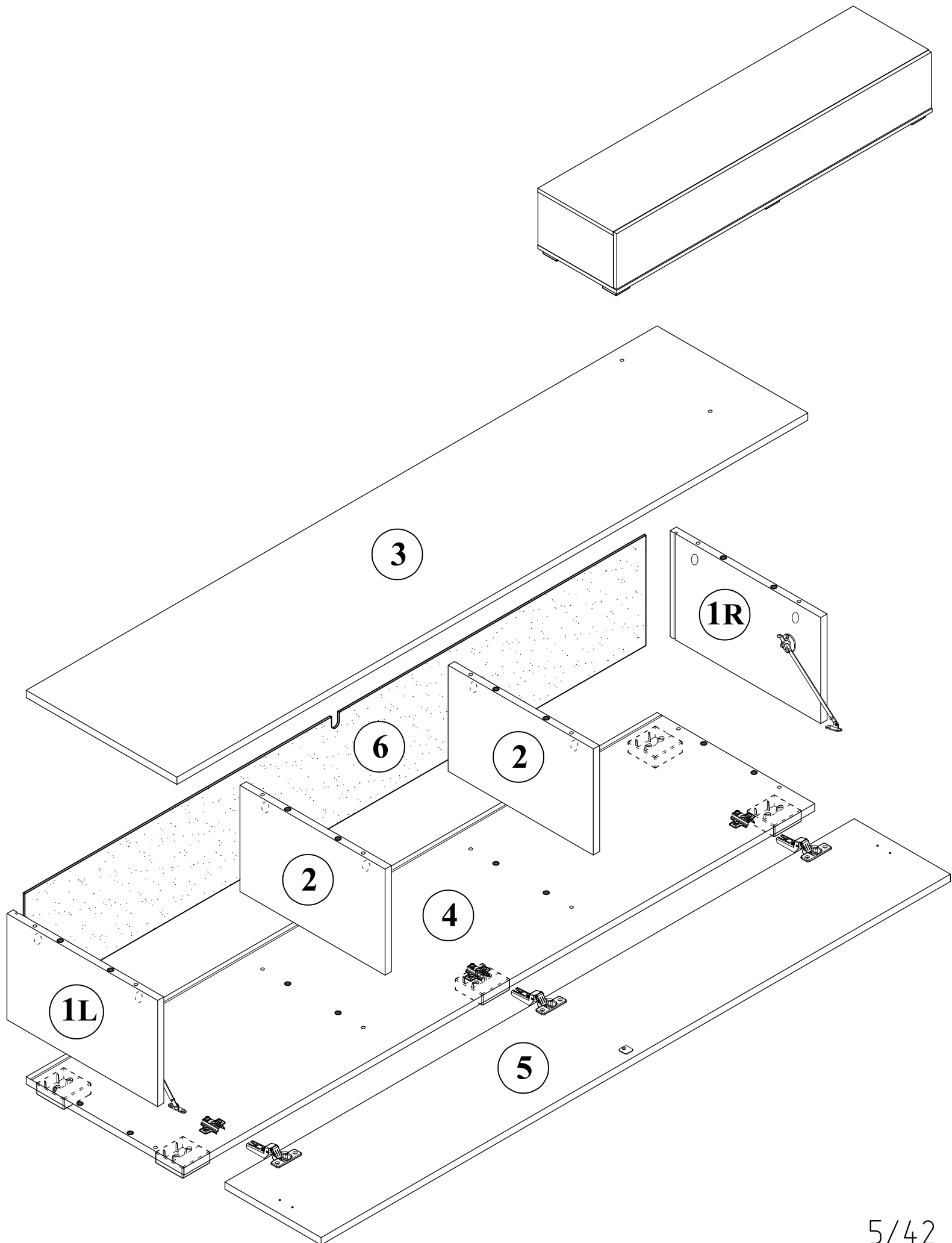
№	a*b	x	№→...
1R	218x284	x1	1/3
2	275x218	x1	1/3
3	262x211	x1	3/3
4	1000x284	x1	2/3
5	1000x284	x1	2/3
6	300x218	x1	1/3
7	696x246	x1	3/3
8	320x211	x1	3/3
9	675x227	x1	2/3

Е


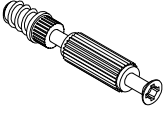
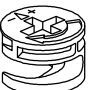
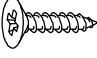
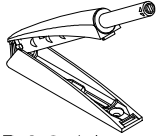
№	a*b	x	№→...
1	1400x250	x1	3/3
2	1200x184	x1	1/3

A

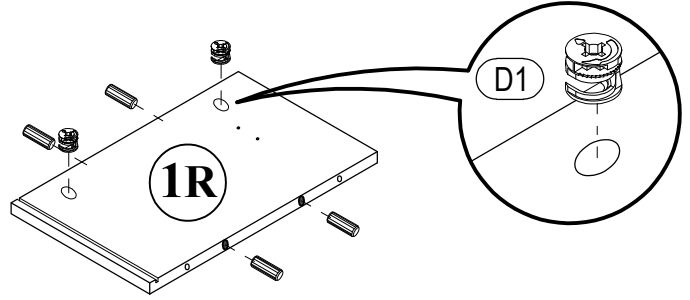
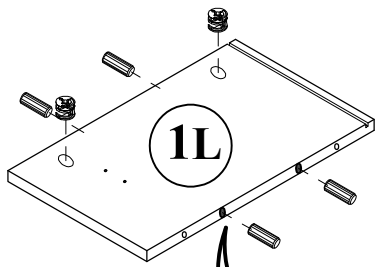
Лего / Lego



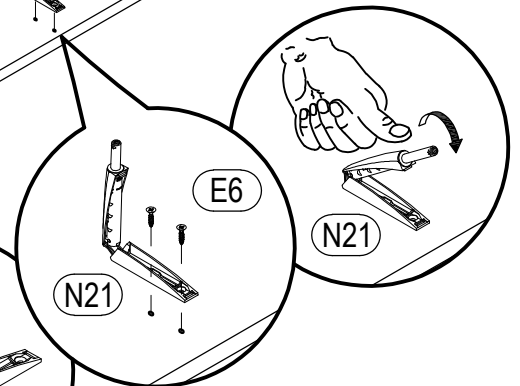
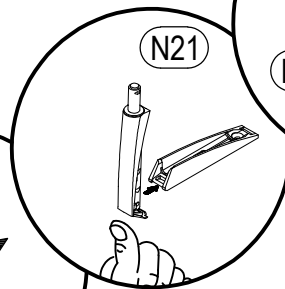
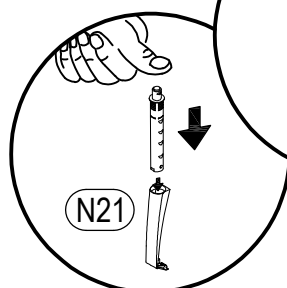
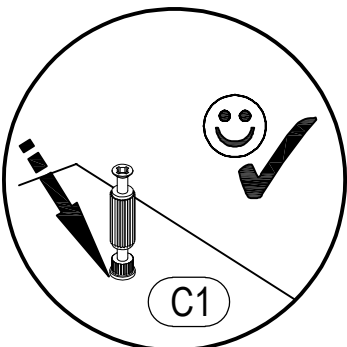
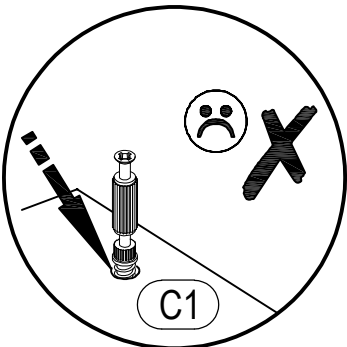
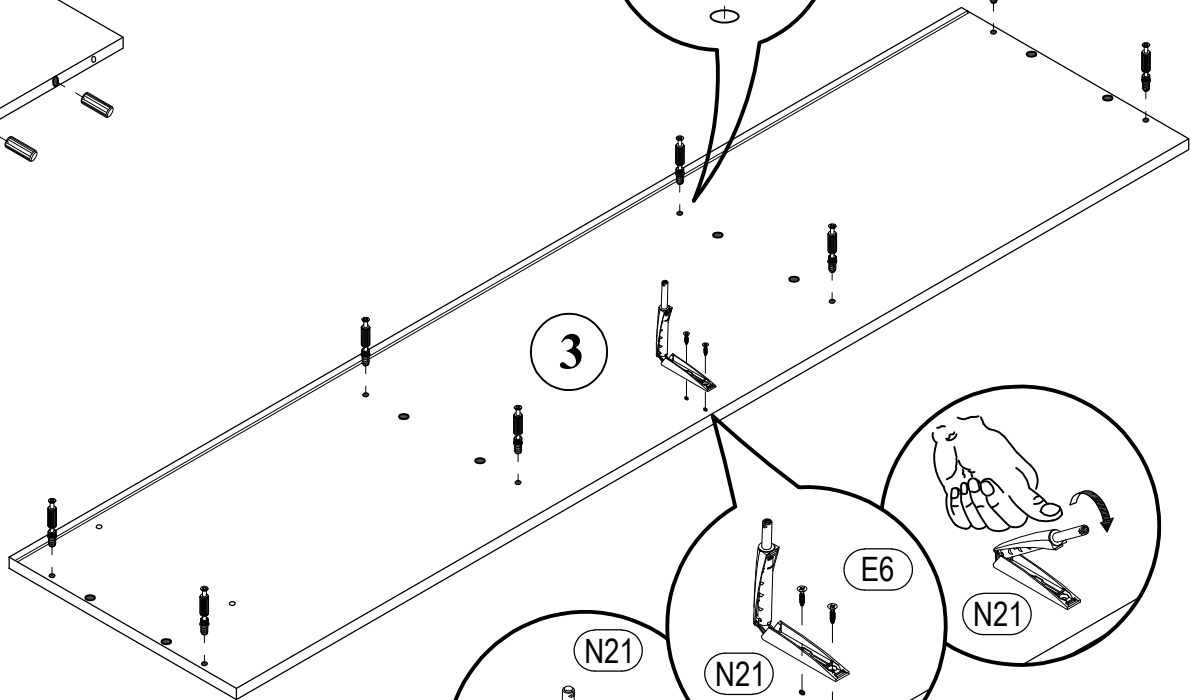
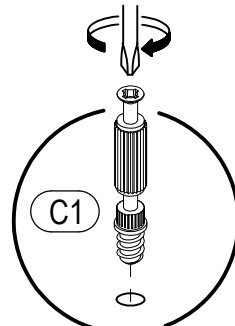
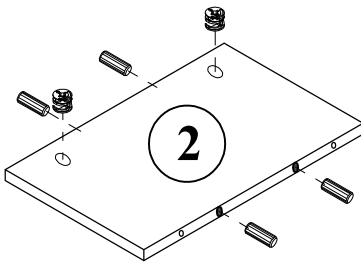
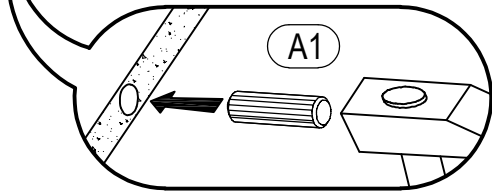
A

 A1 8*30mm x16	 C1 6*43mm x8	 D1 16mm x8
 E6 3,5*16mm x2	 N21 P20 Magnet x1	

1

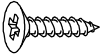

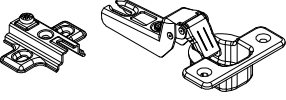



x2

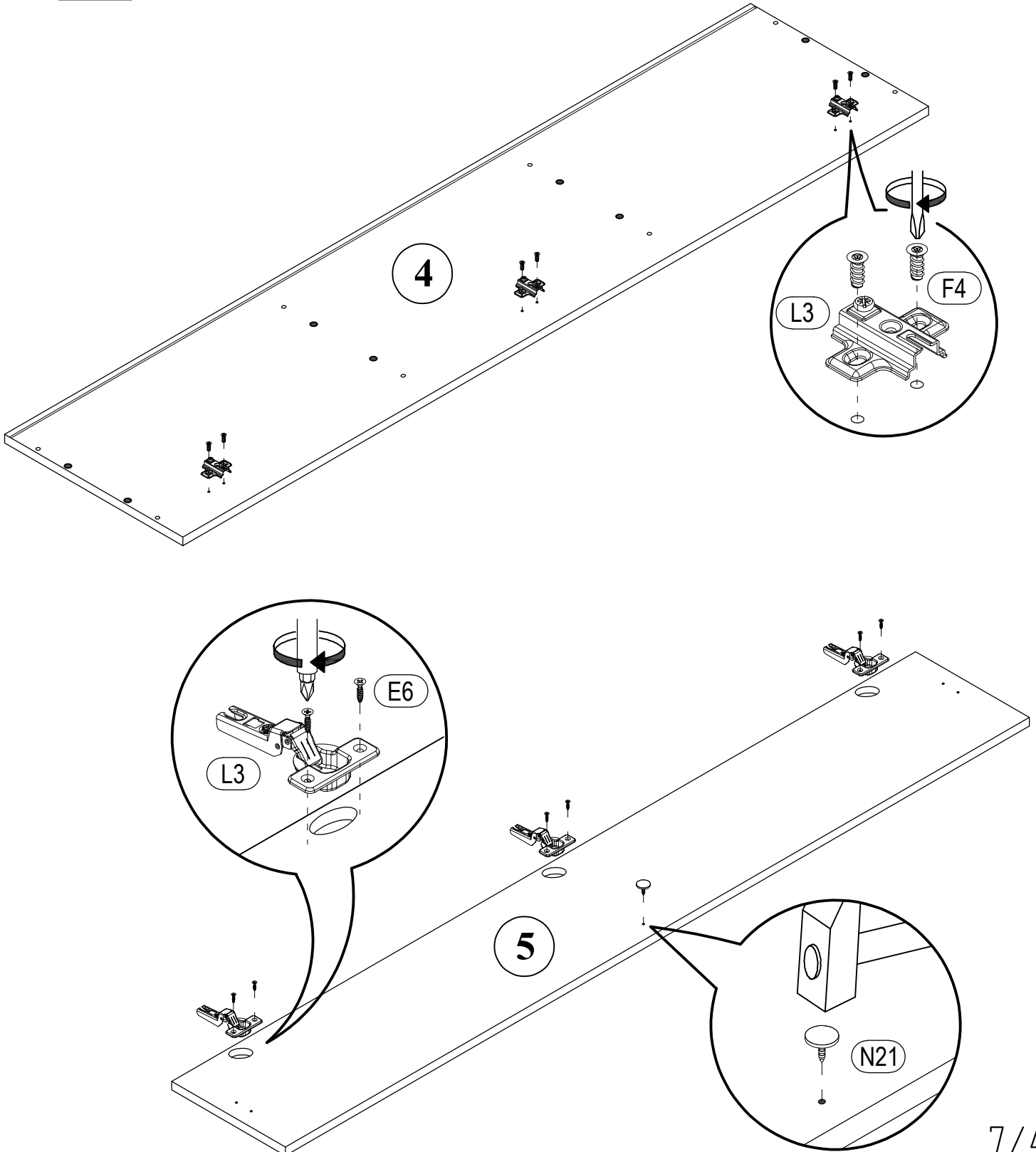


A

Лего / Lego

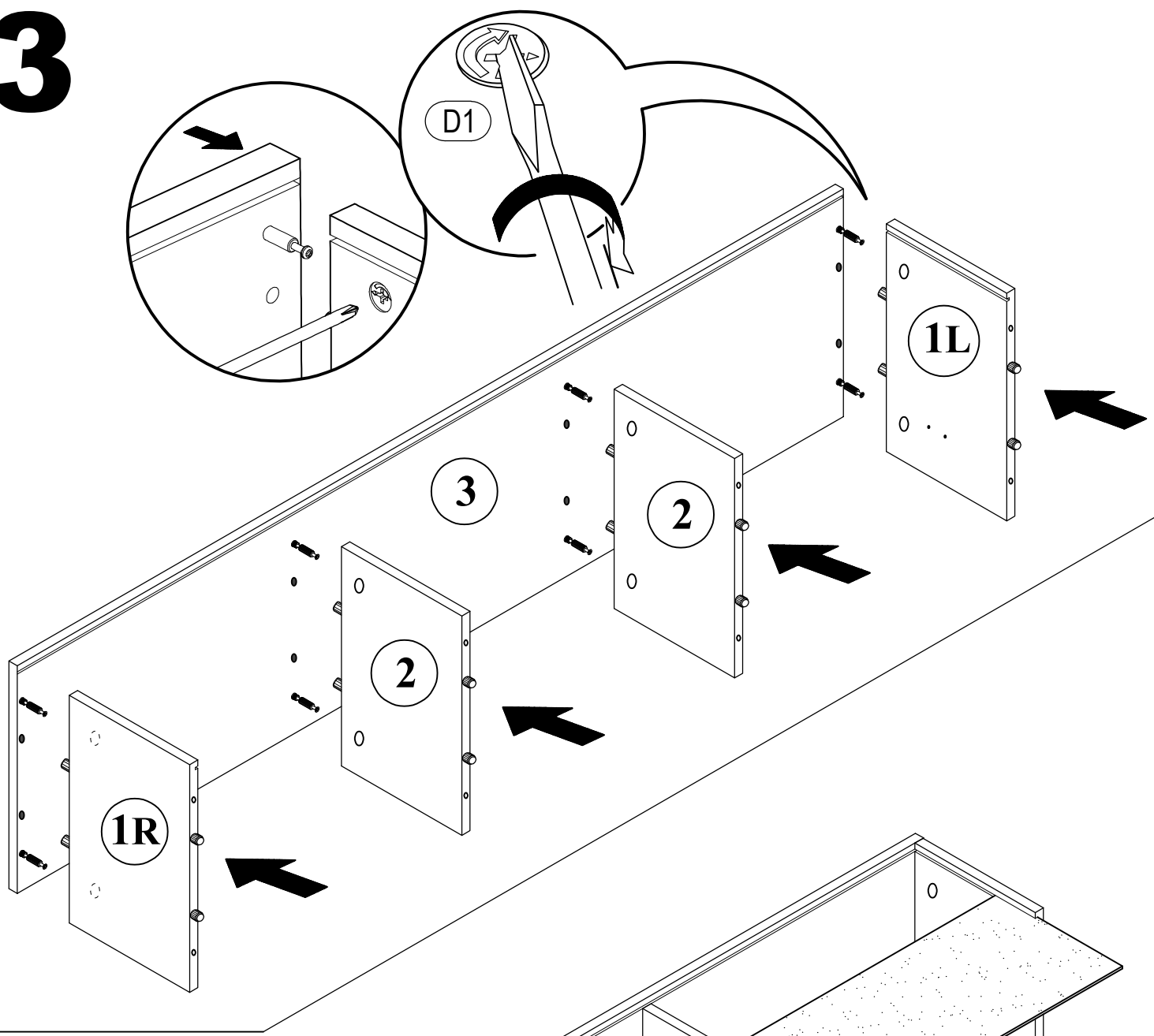
 (E6) 3,5*16mm x6	 (F4) 6,3*13mm x6	 (L3) x3
 (N21) P20 Magnet x1		

2

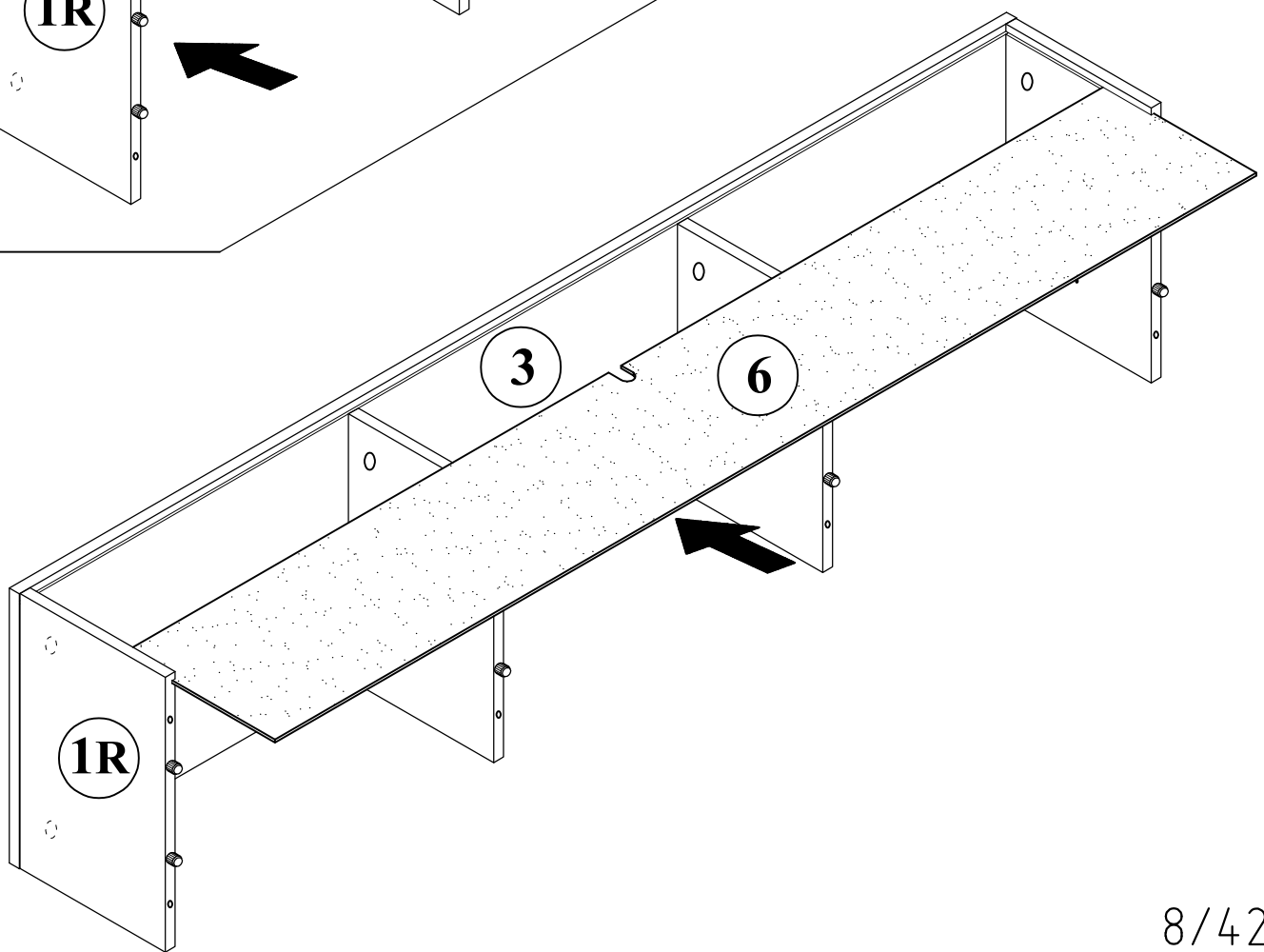


A

3



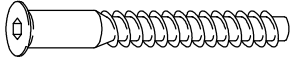
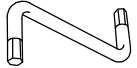
4

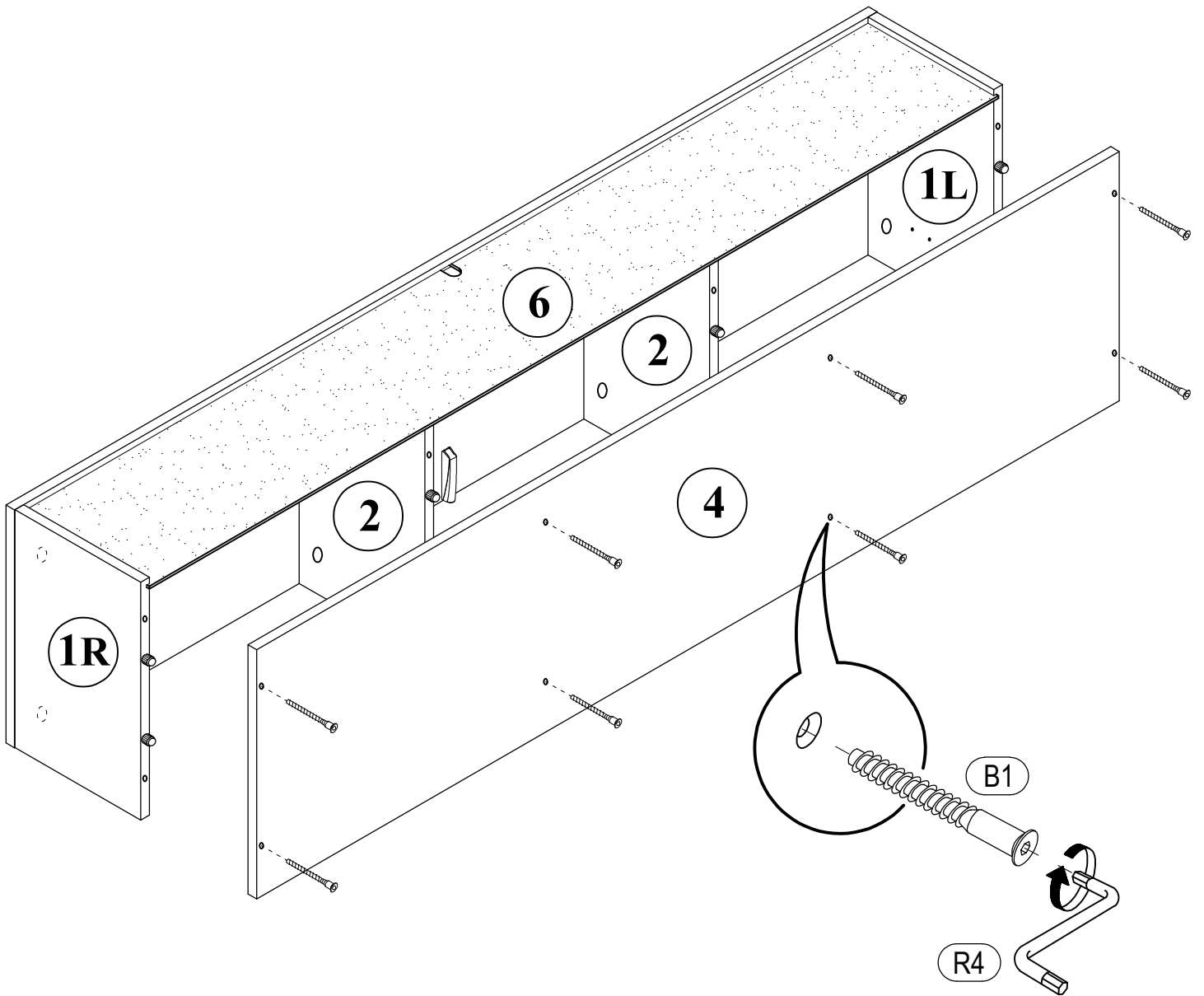


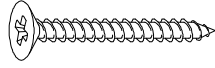

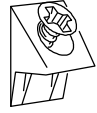
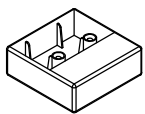
A

Лего / Lego

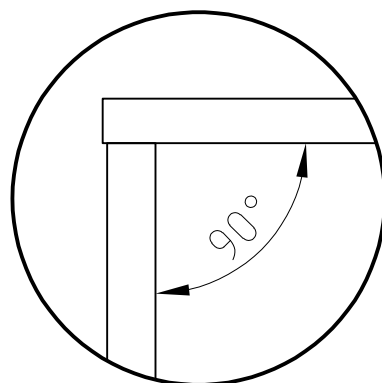
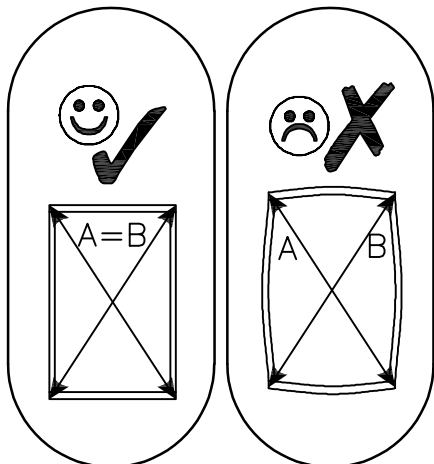
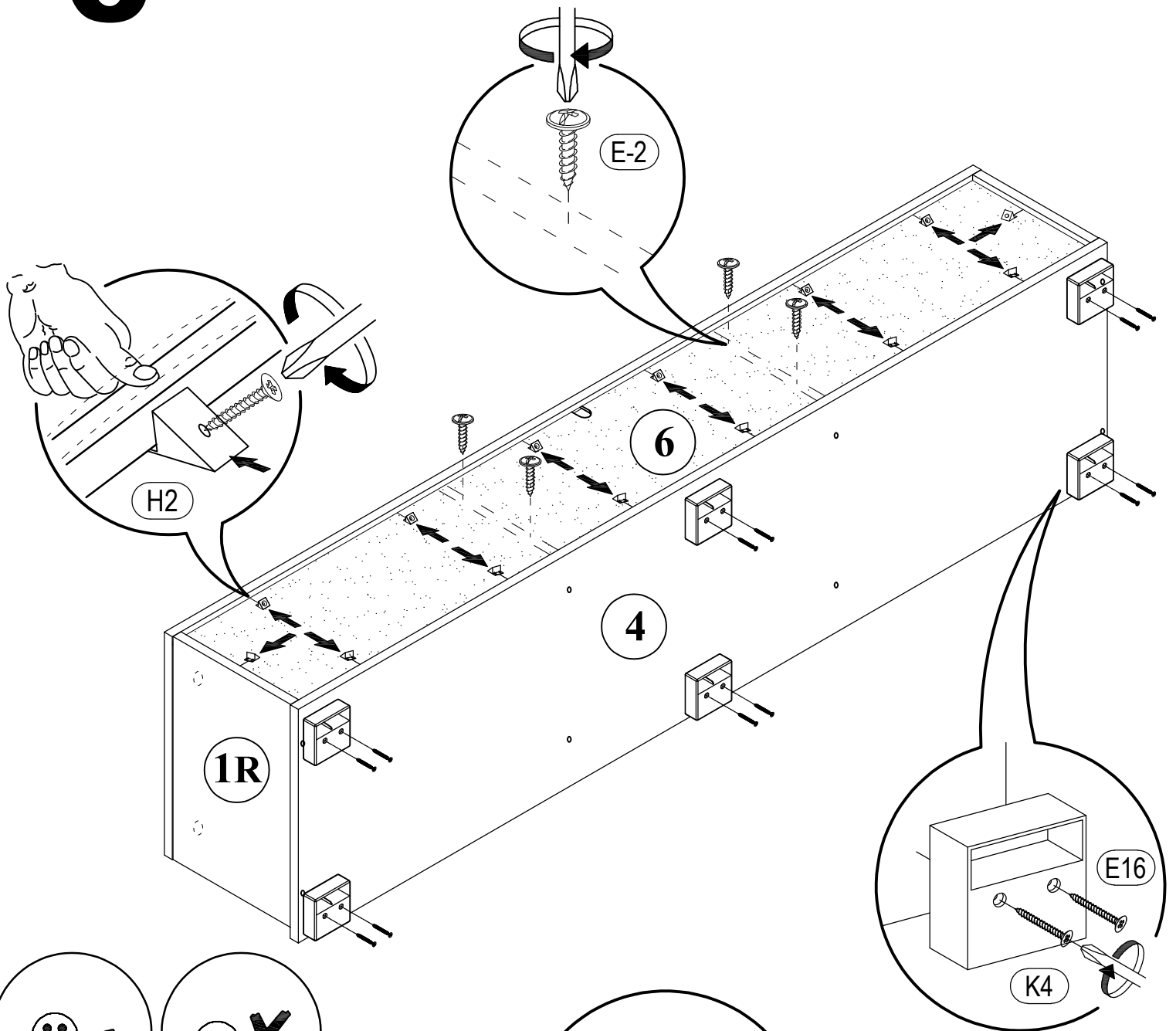
5



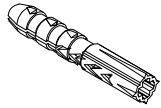
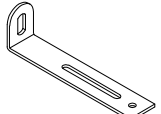
	
B1 6,3*50mm x8	R4 №4 x1



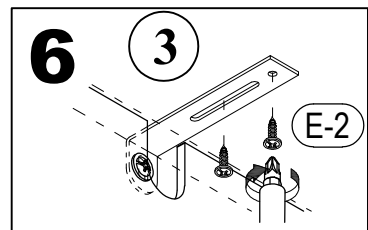
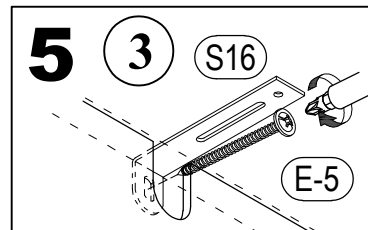
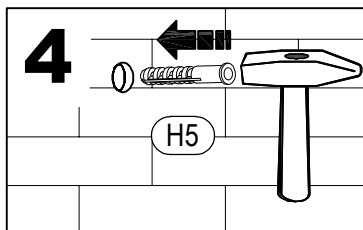
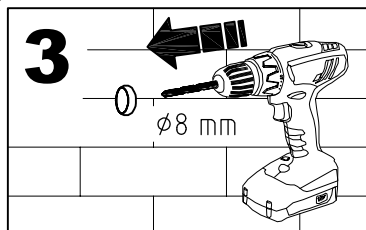
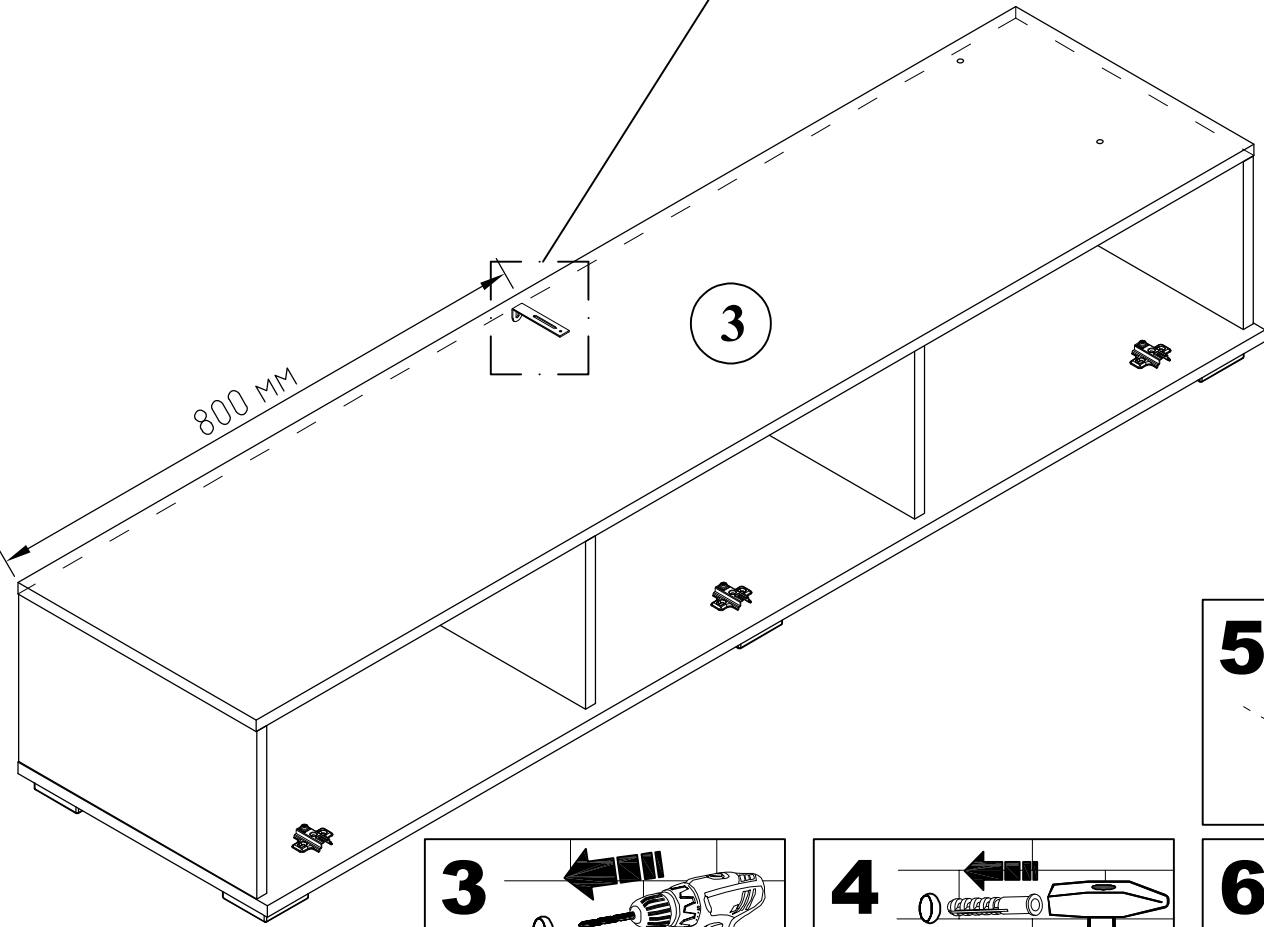
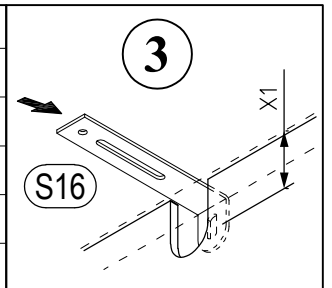
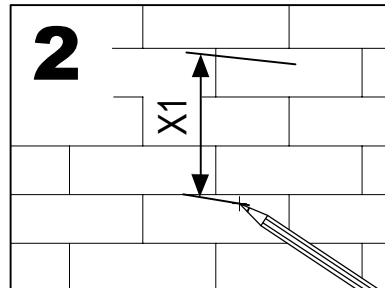
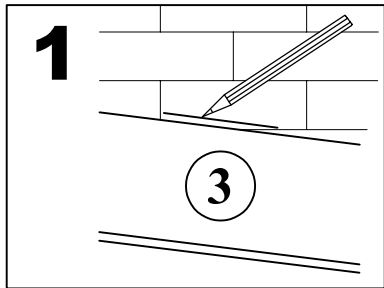
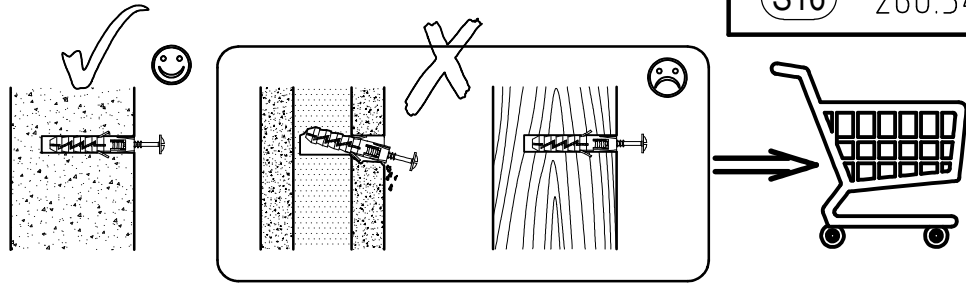
 E16 4*35mm x12	 E-2 4,2*16mm x4	 H2 RV-8 x14
		 K4 x6

6



 (E-2) 4,2*16mm x2	 (E-5) 4,2*65mm x1	 (H5) 8*50mm x1
		 (S16) 260.54.900 x1


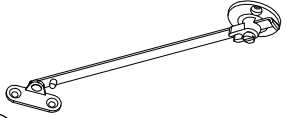
7

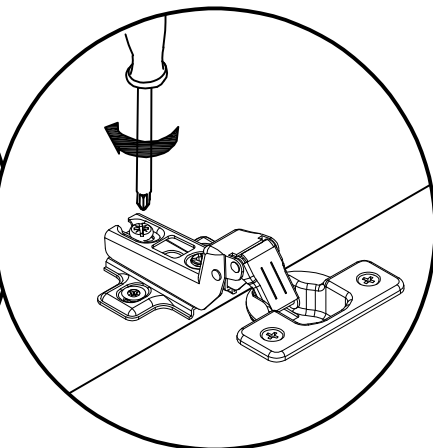
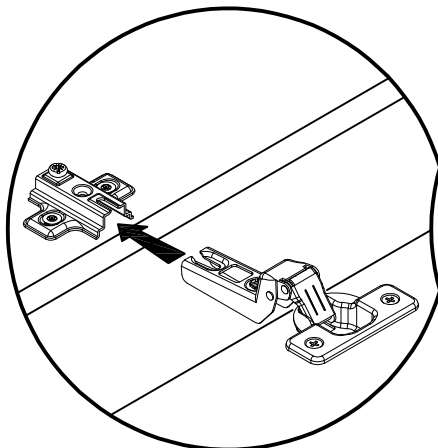
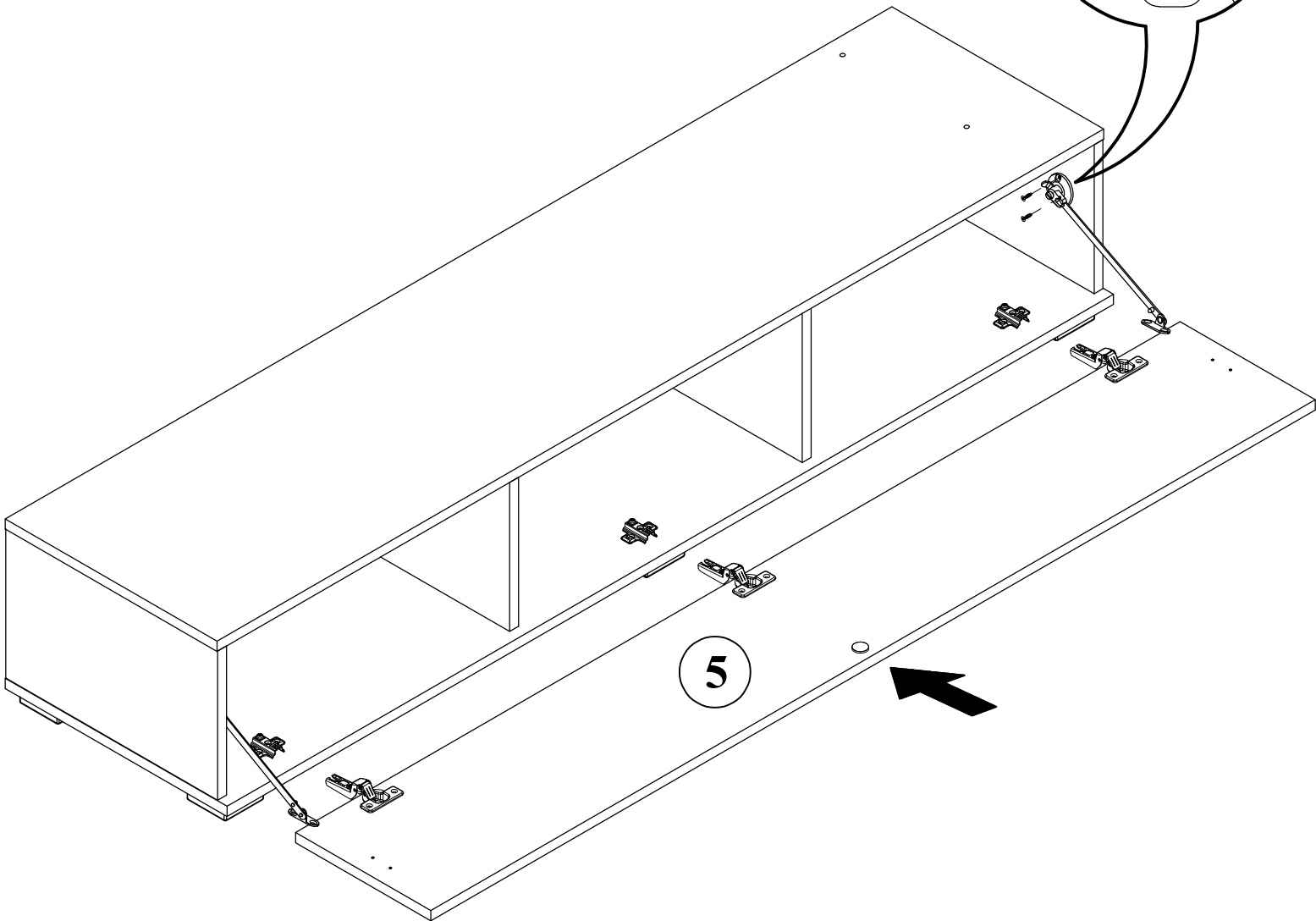
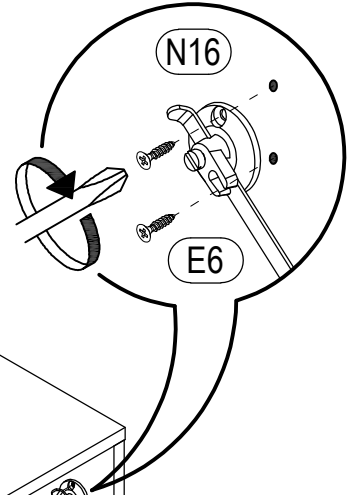


A

Лего / Lego

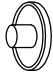


8

 <p>E6 3,5*16mm x4</p>	 <p>N16 L-225mm x2</p>
---	---

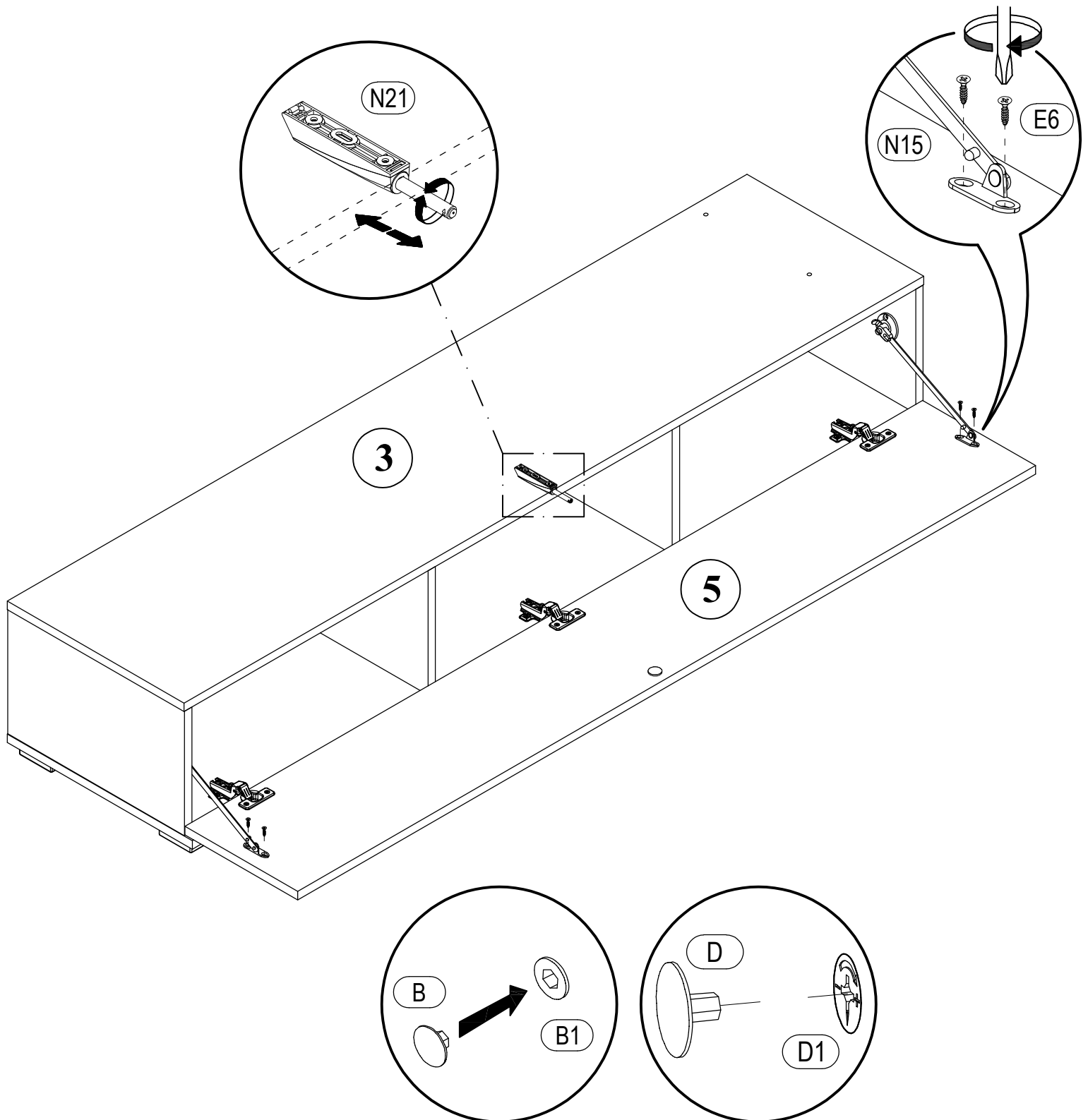


A

Лего / Lego

<p>B</p>  <p>x8</p>	<p>D</p>  <p>∅20mm</p> <p>x8</p>	<p>E6</p>  <p>3,5*16mm</p> <p>x4</p>
--	---	---

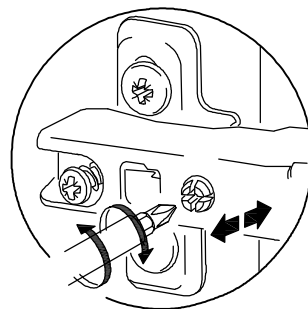
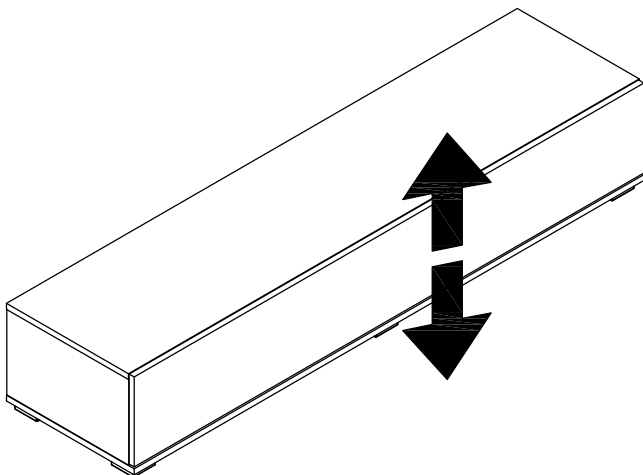
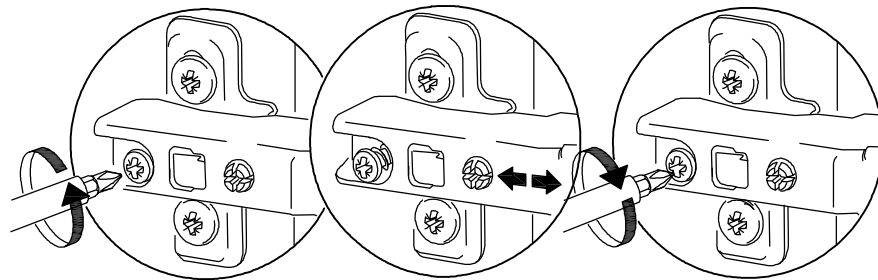
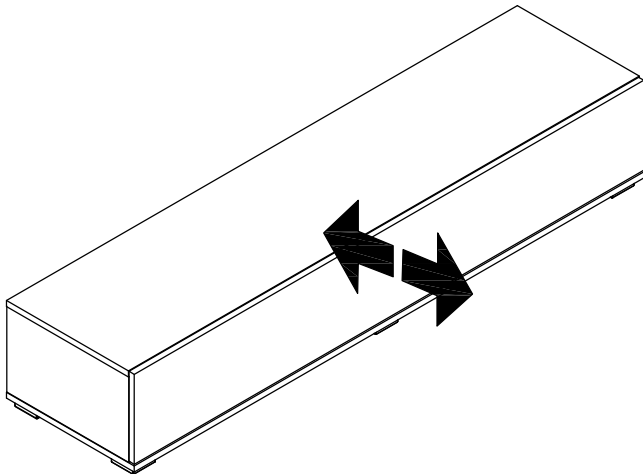
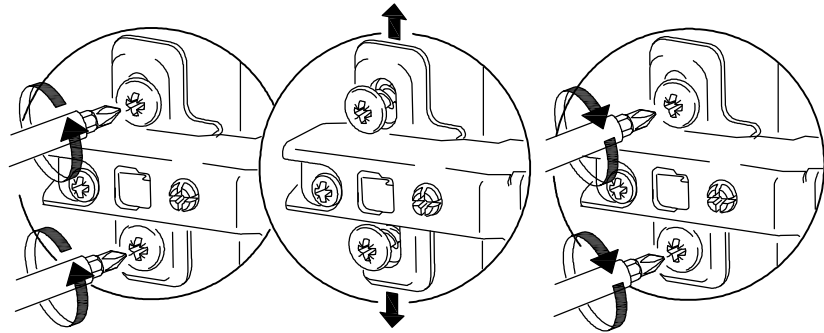
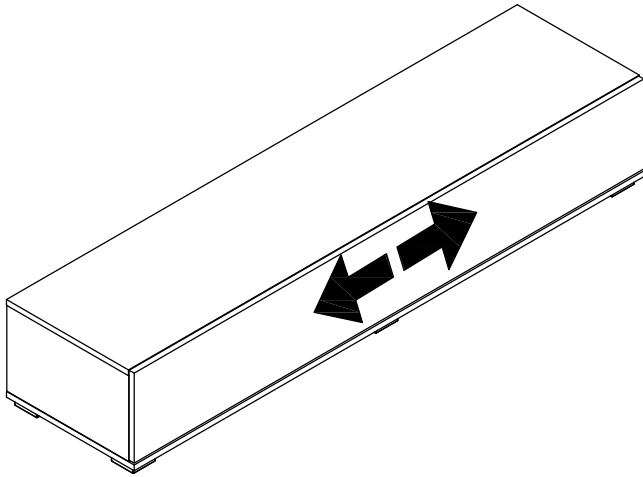
9



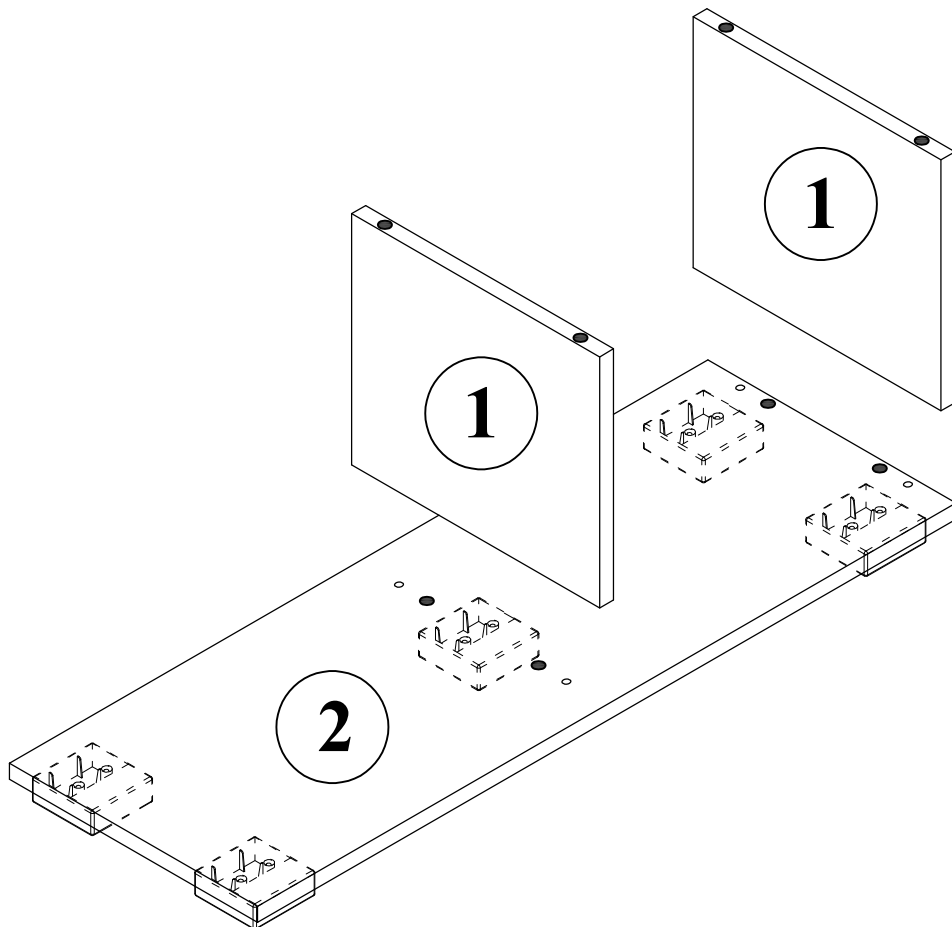
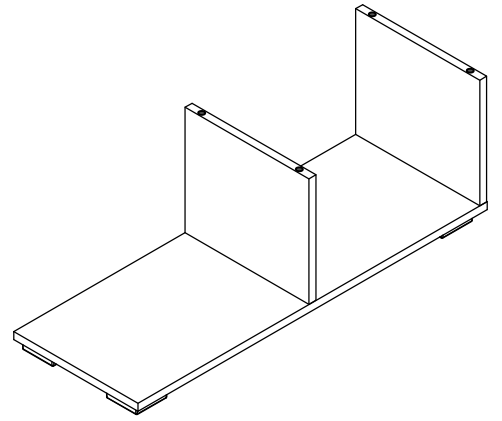
10

A

Лего / Lego



B

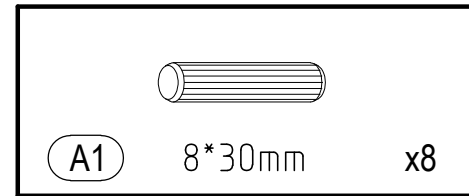
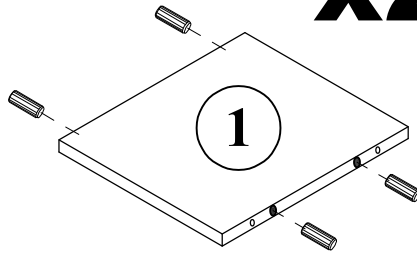


В

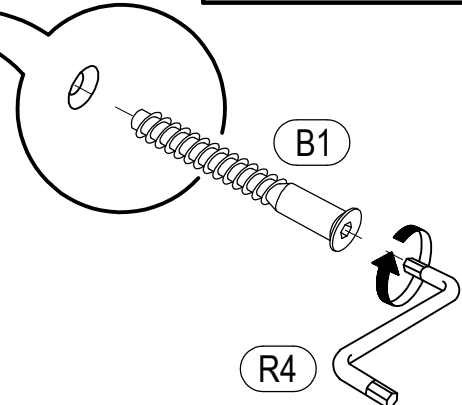
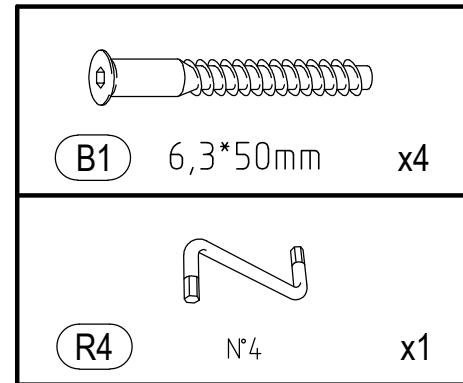
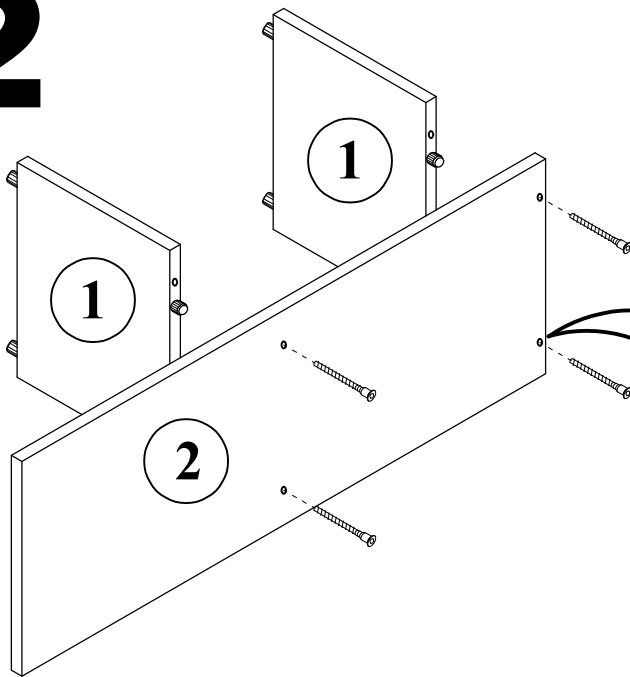
Лего / Lego

11

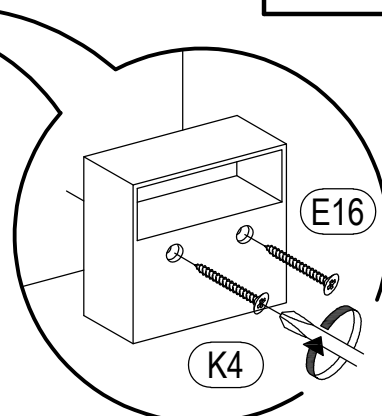
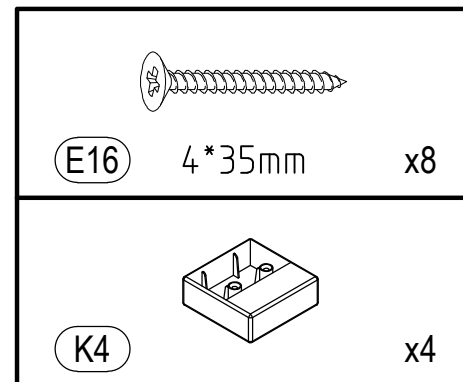
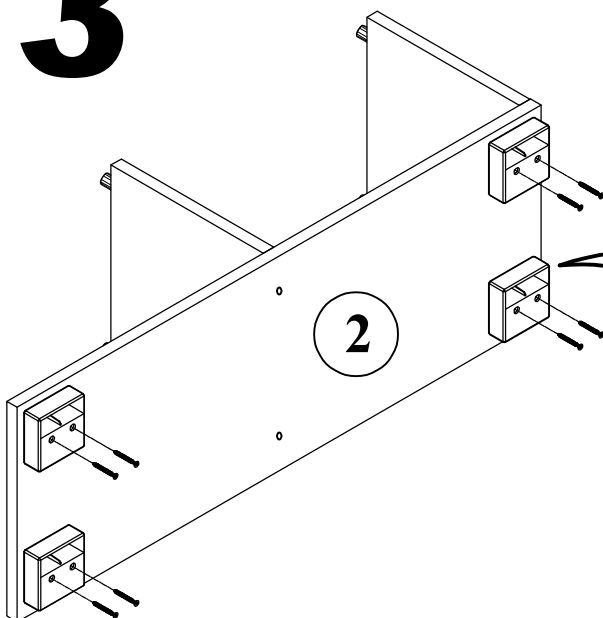
x2



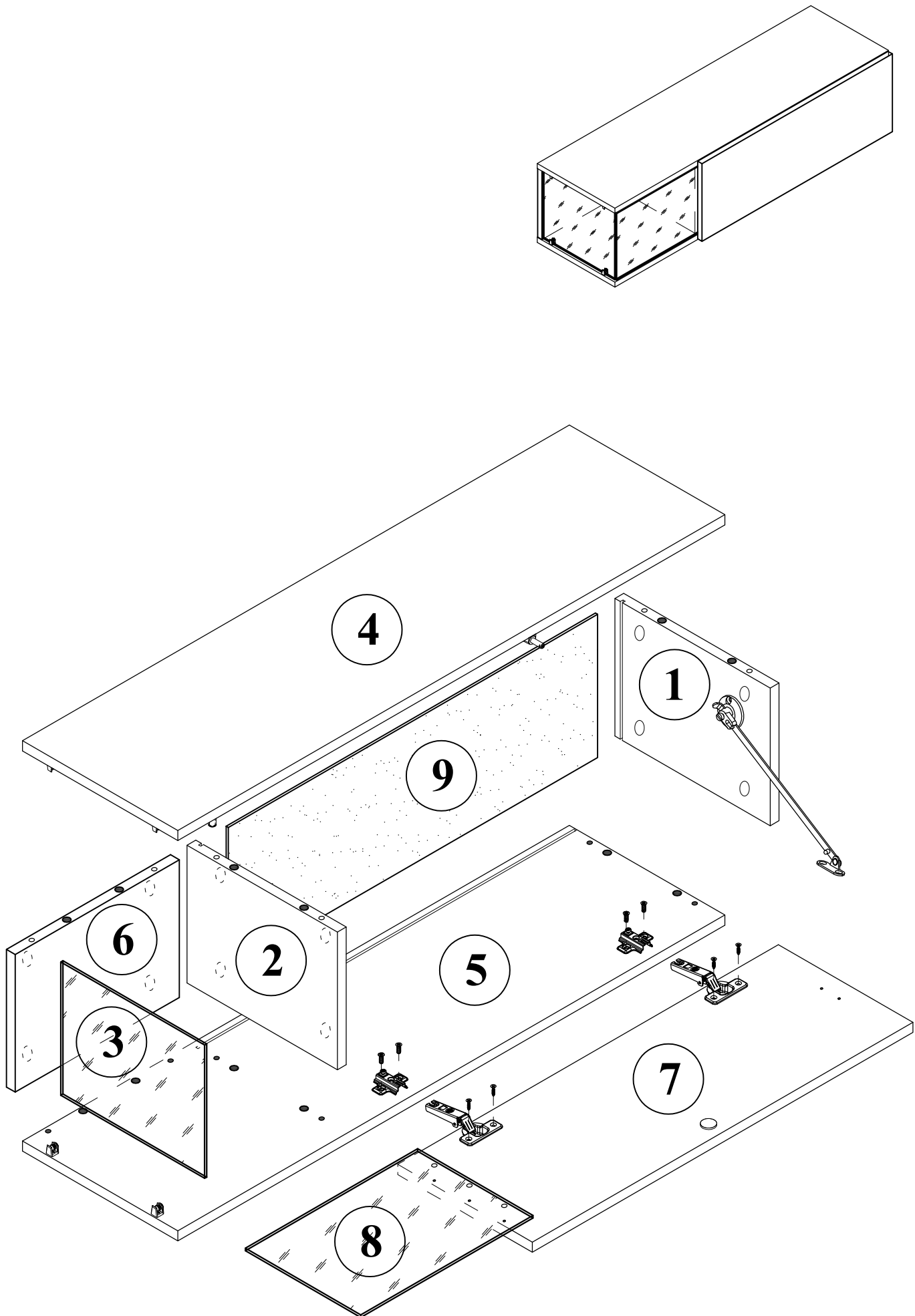
12


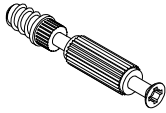


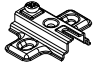


13

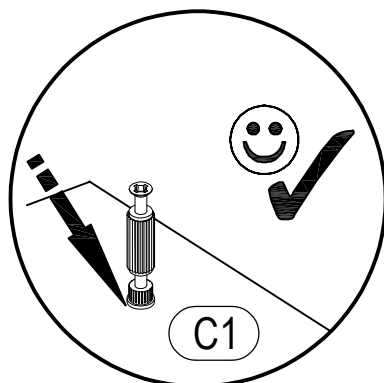
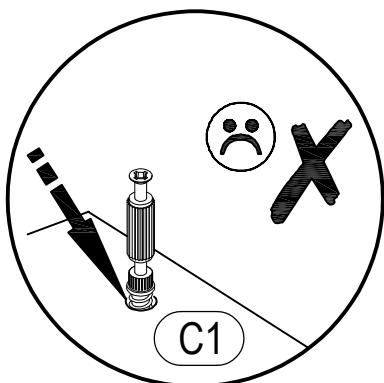
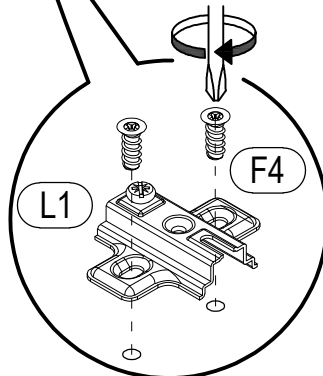
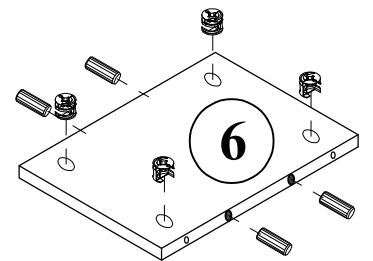
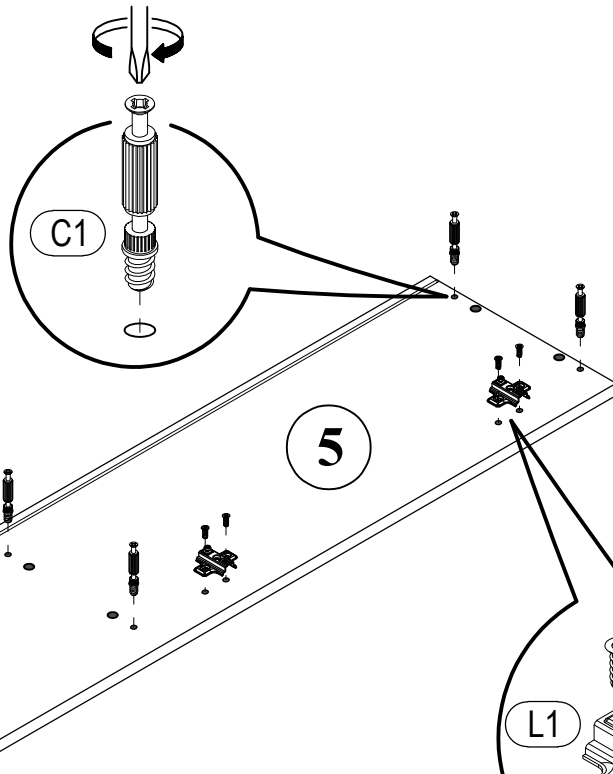
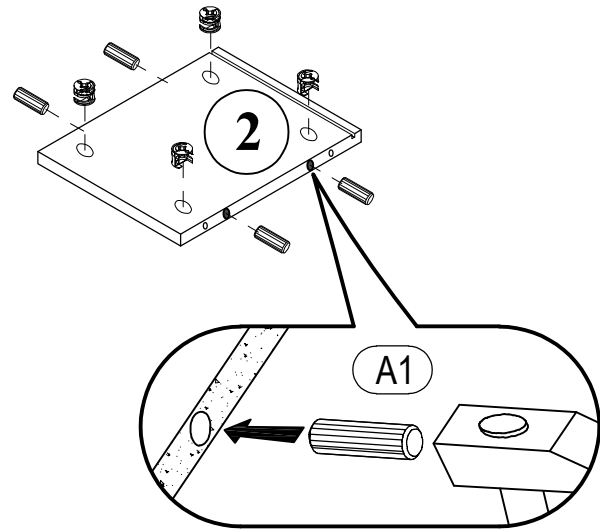
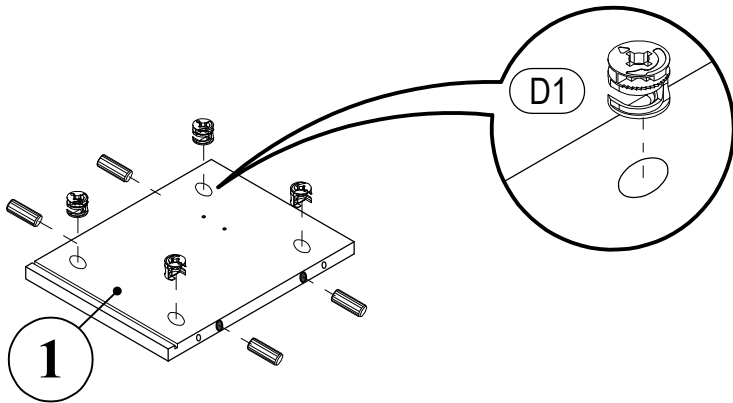


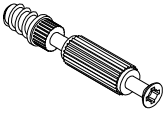


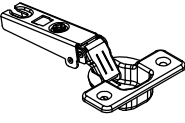
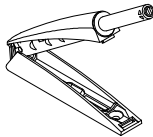

С



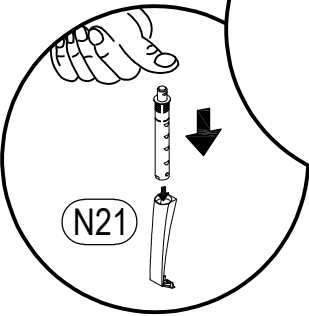
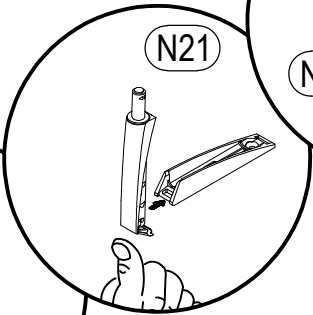
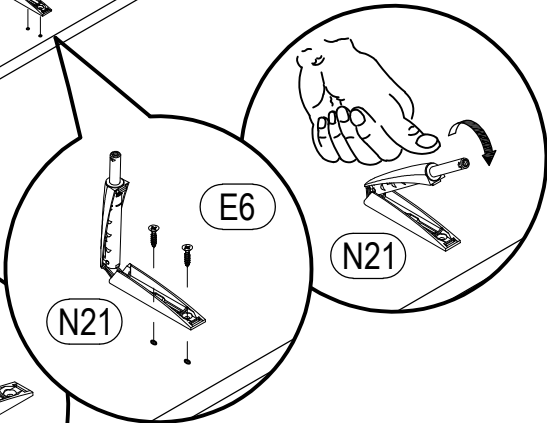
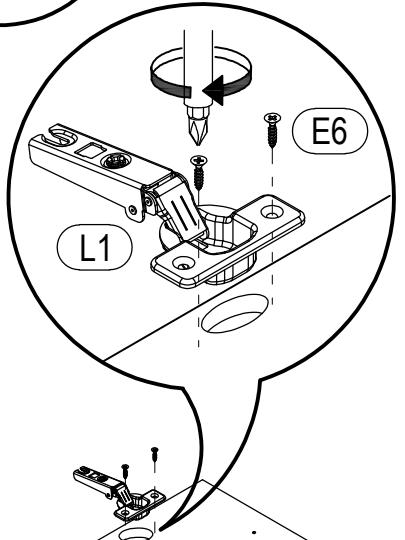
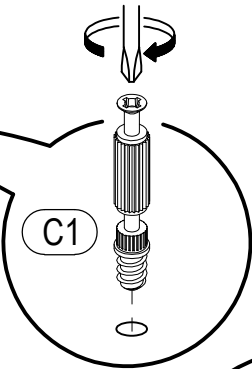
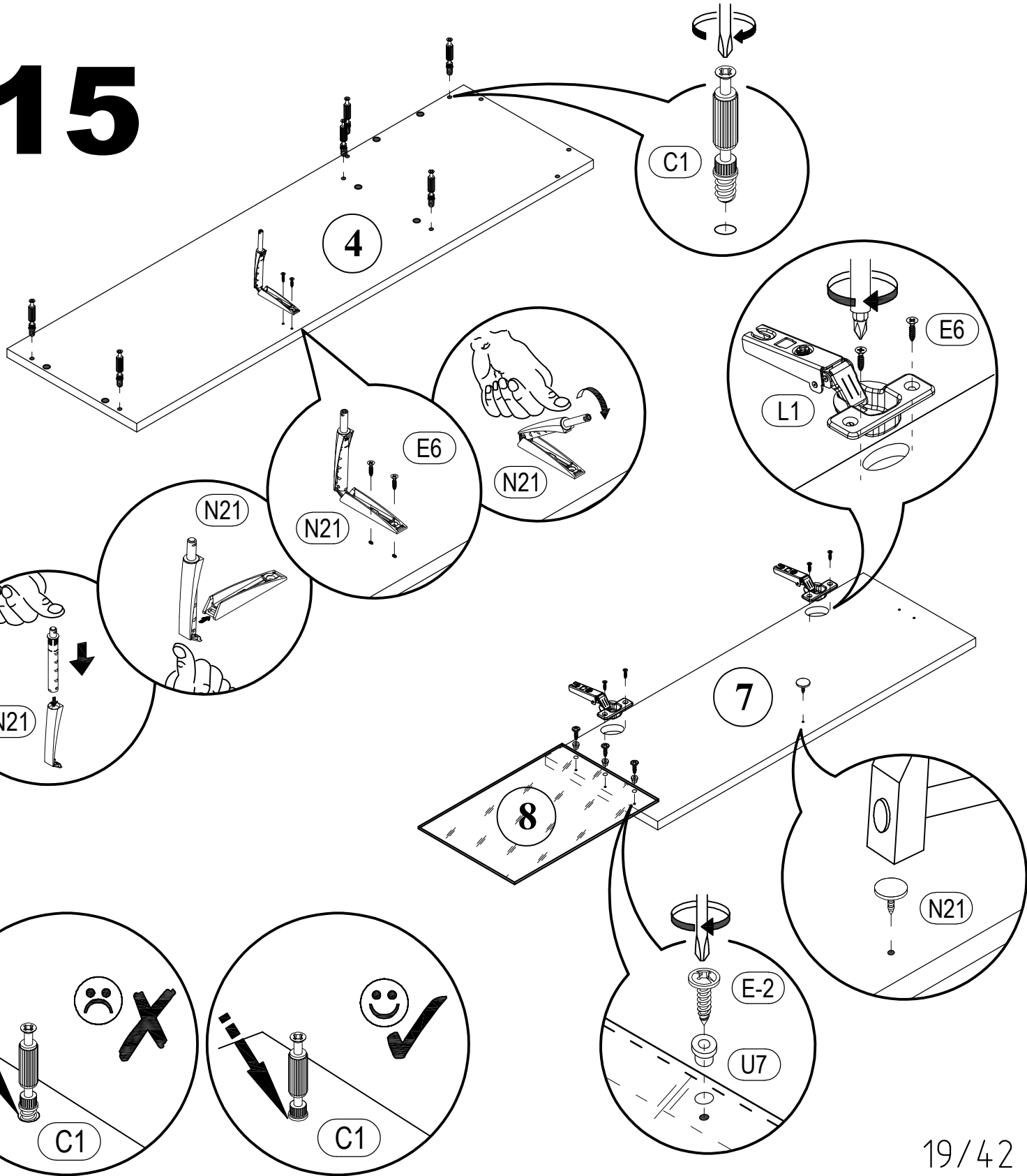
 A1 8*30mm x12	 C1 6*43mm x6	 D1 16mm x12
 F4 6,3*13mm x4		 L1 x2

14



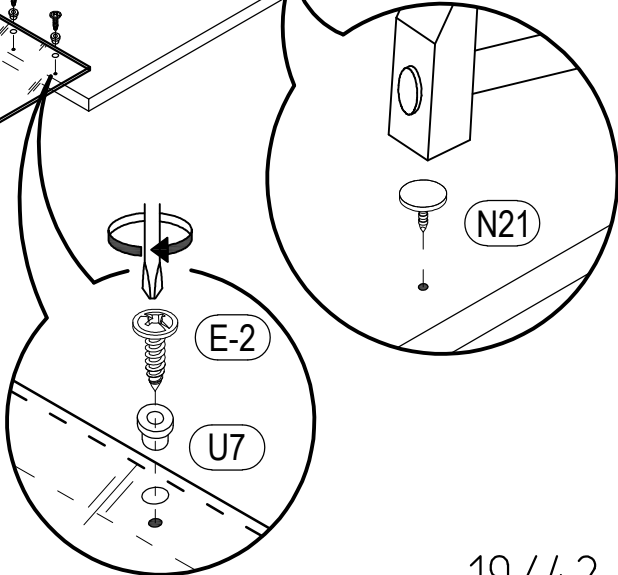
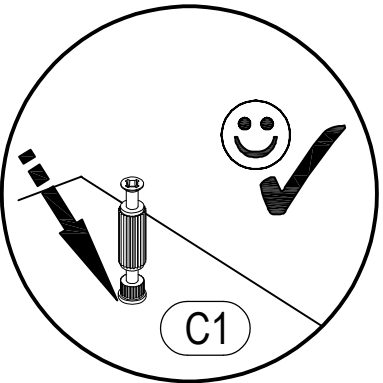
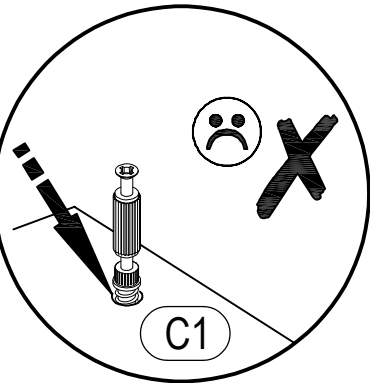
 C1 6*43mm x6	 E6 3,5*16mm x6	 E-2 4,2*16mm x3
 L1 x2	 N21 P20 Magnet x1	 U7 M6 x3

15



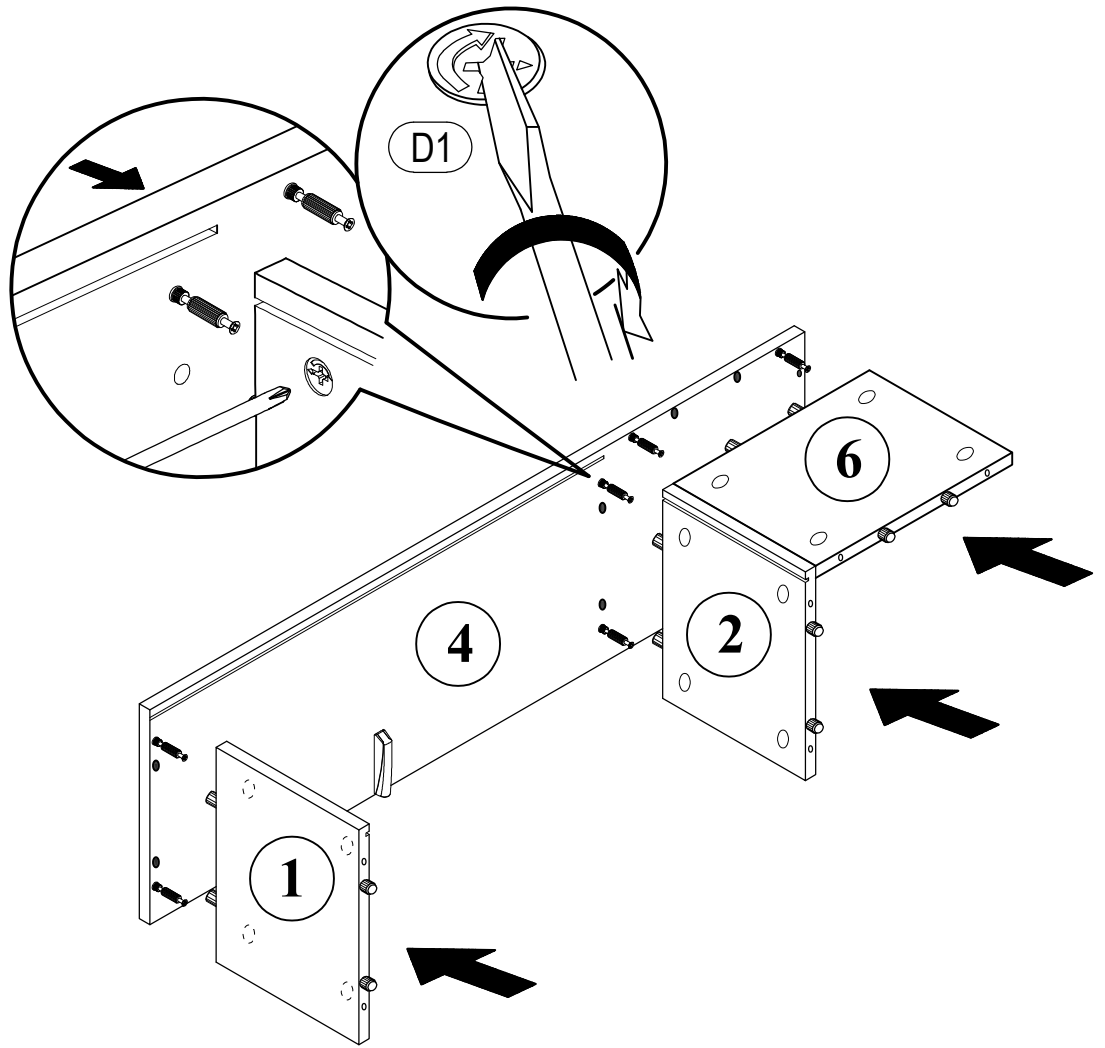
7

8

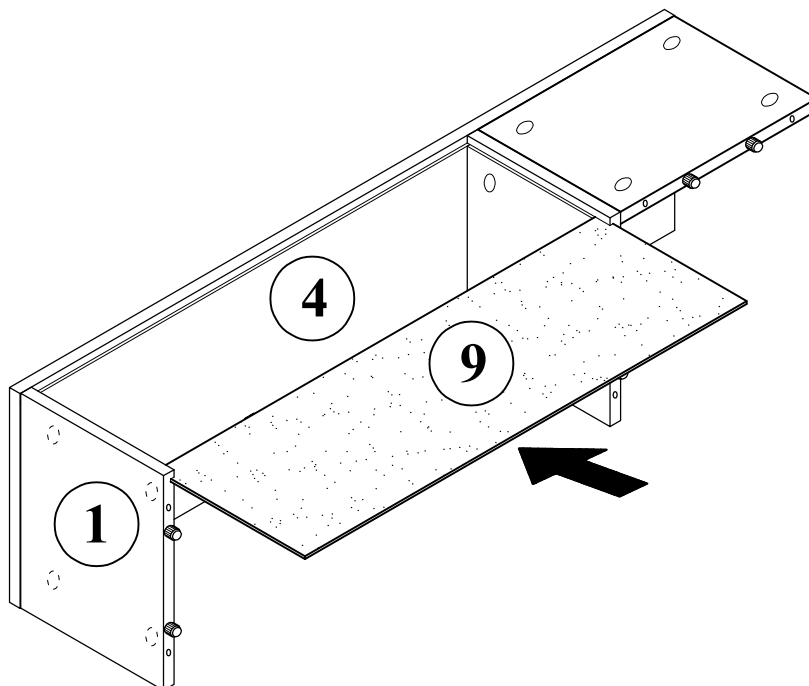


C

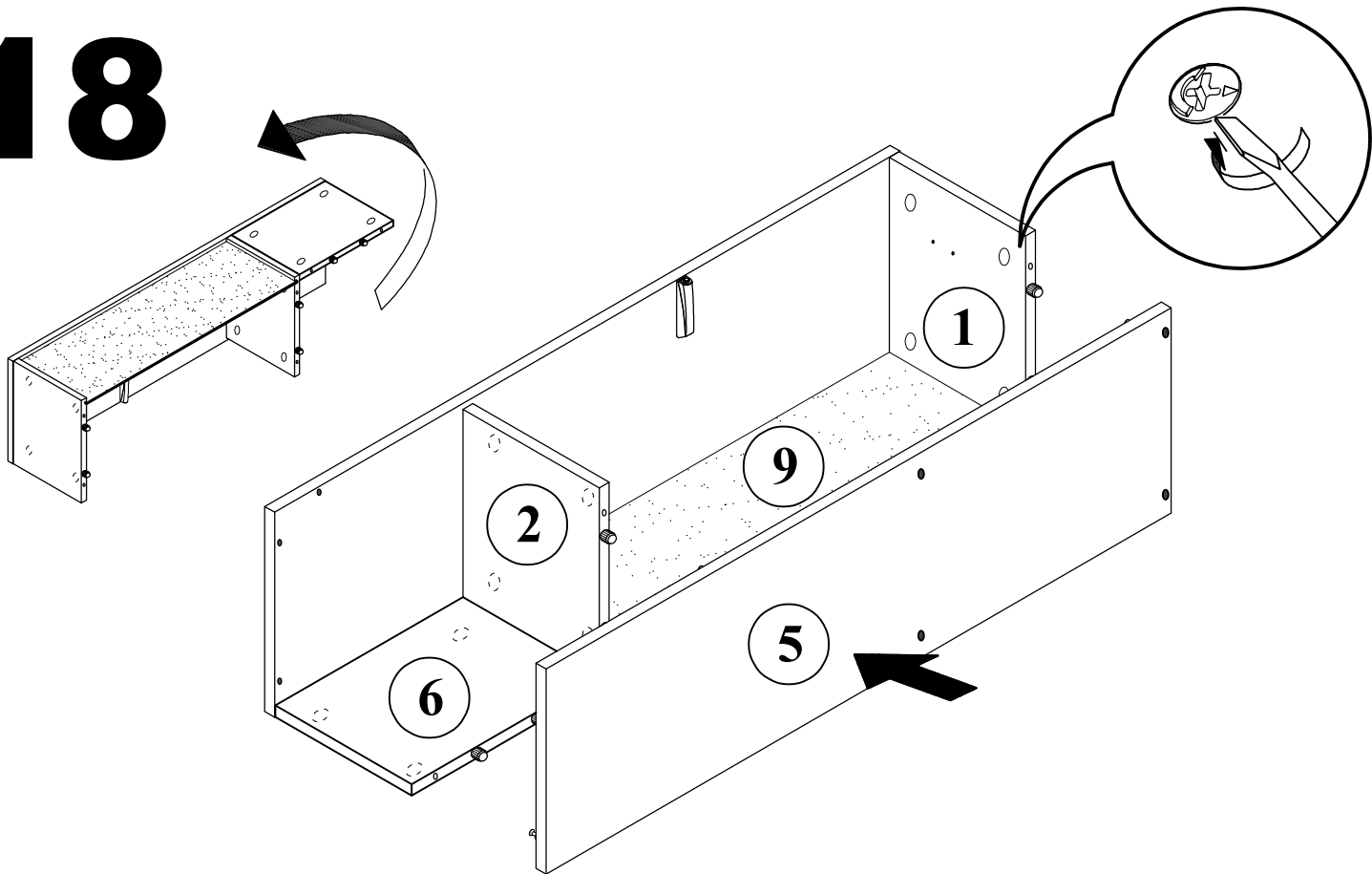
16



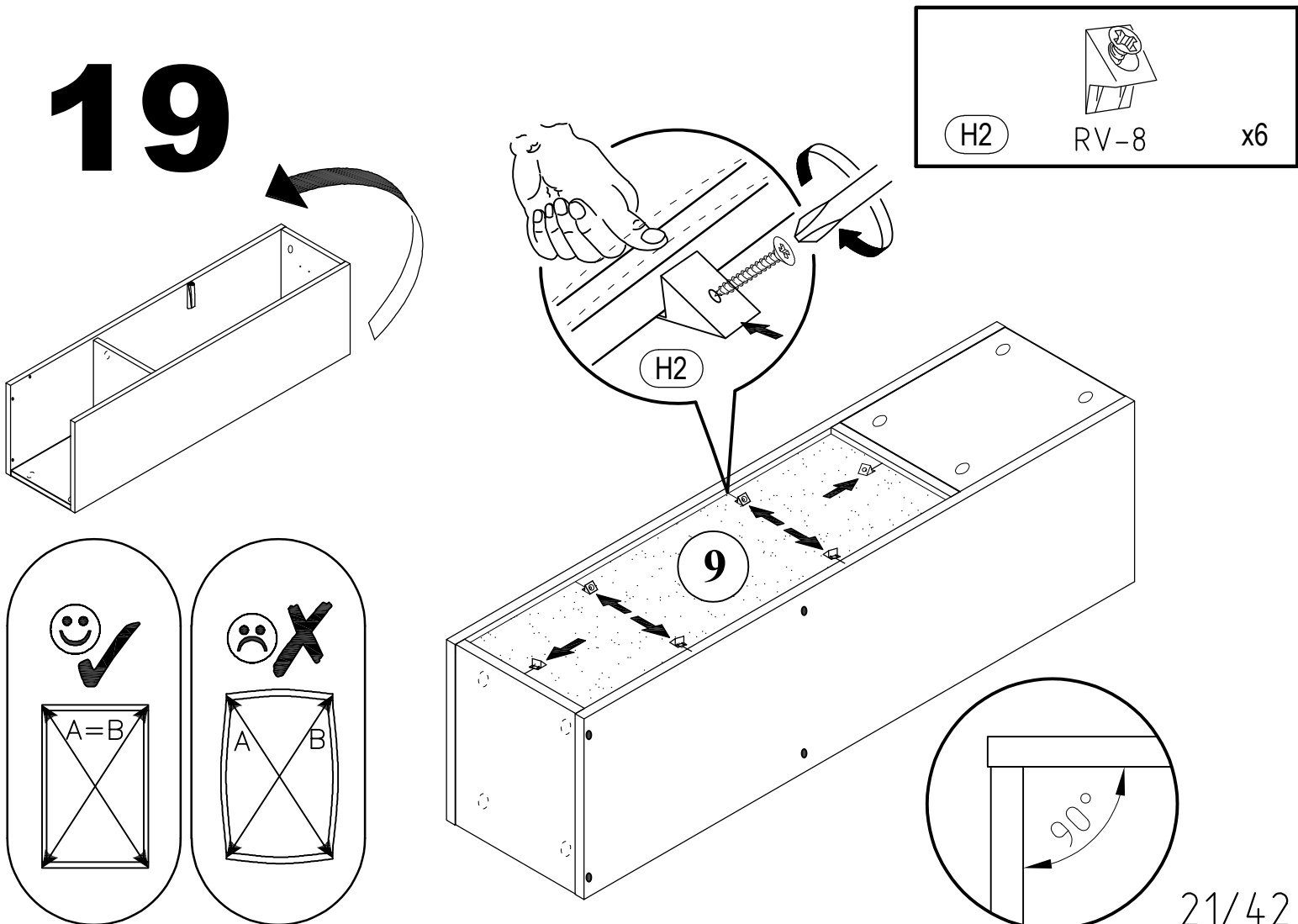
17

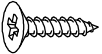
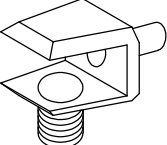

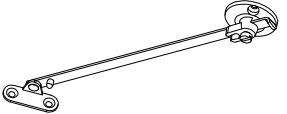


18

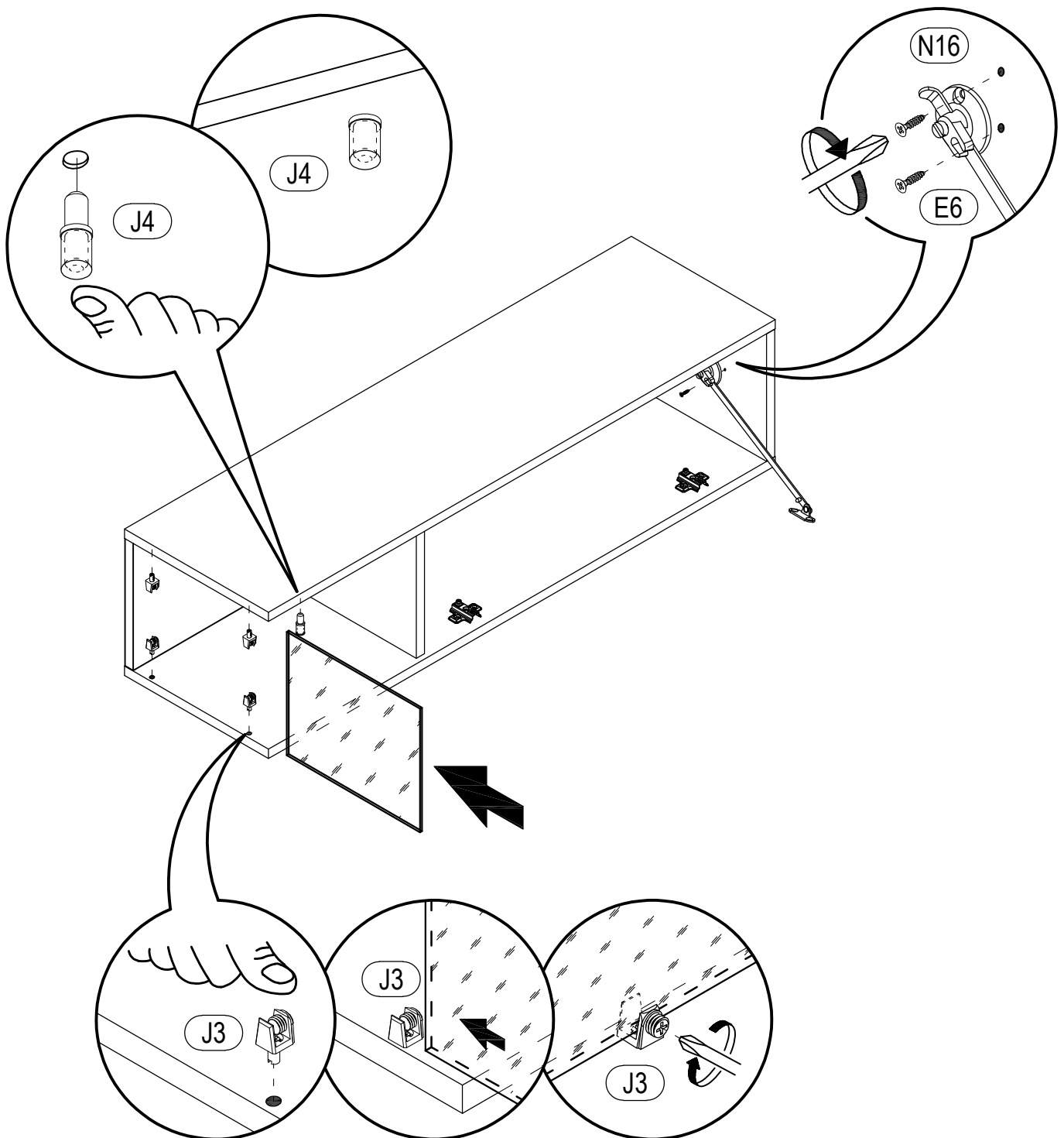


19



 <p>(E6) 3,5*16mm x2</p>	 <p>(J3) x4</p>	 <p>(J4) 5*16mm x1</p>
 <p>(N16) L-225mm x1</p>		

20

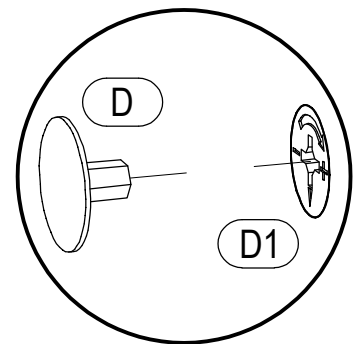
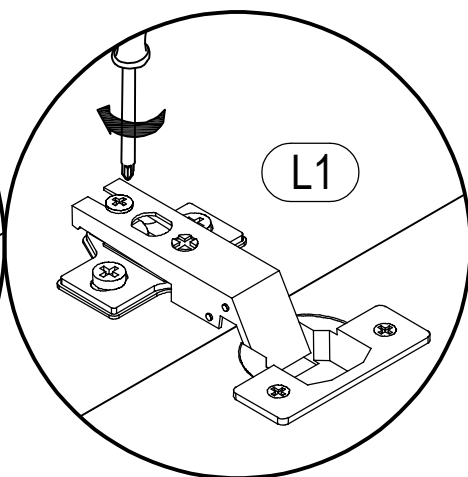
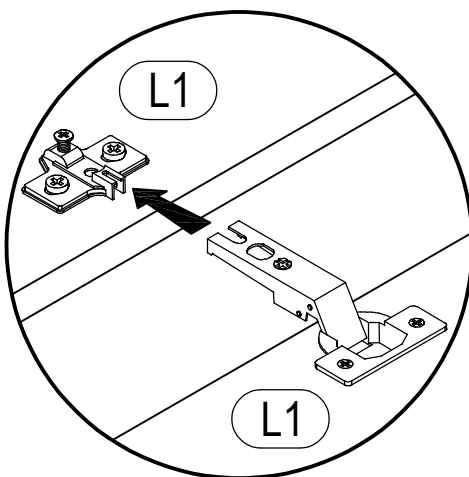
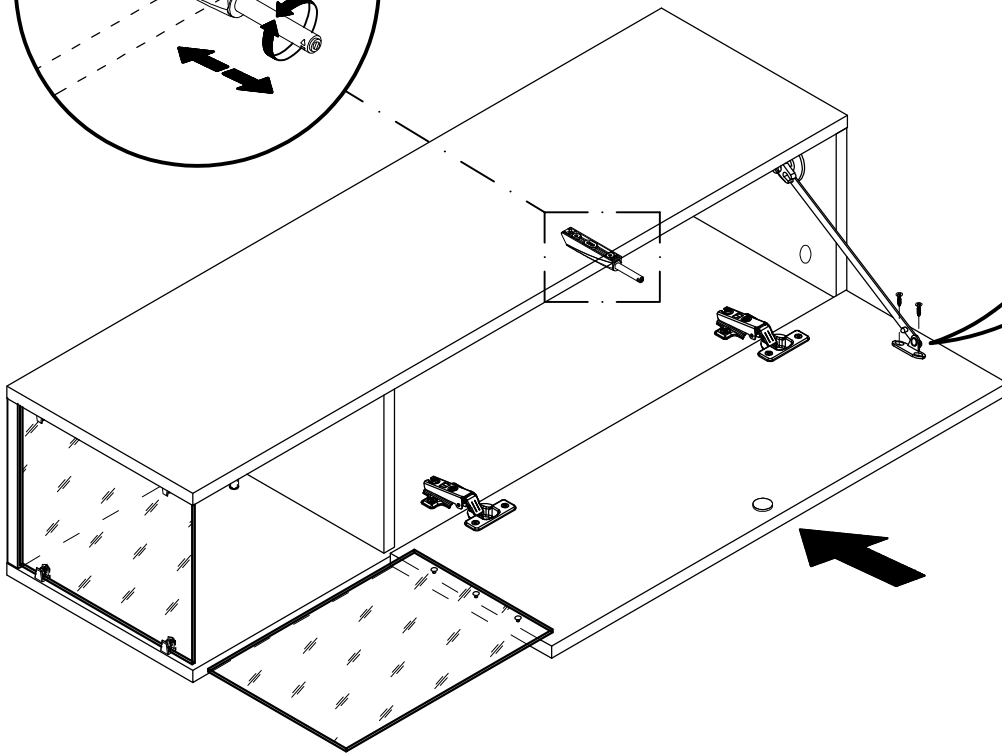
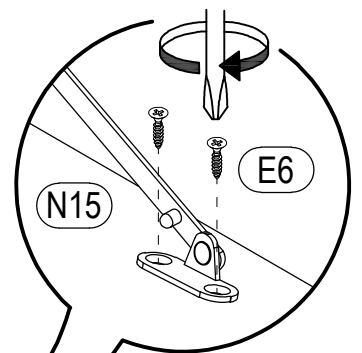
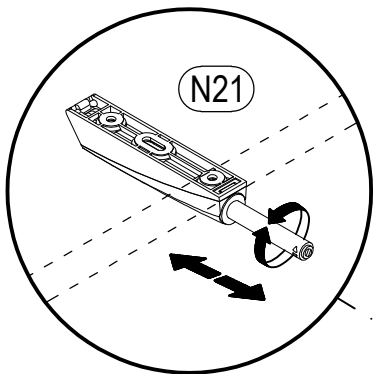


C

Лего / Lego

21

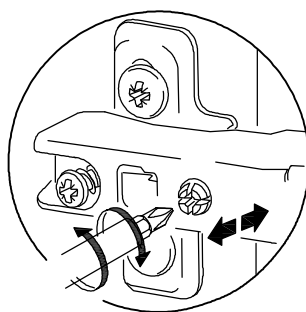
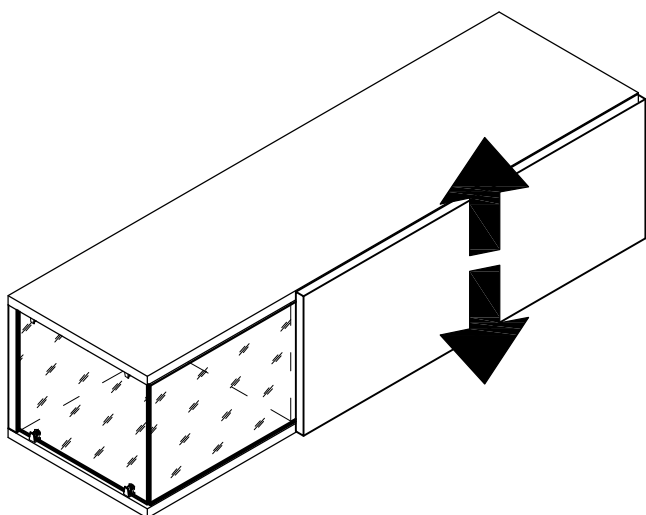
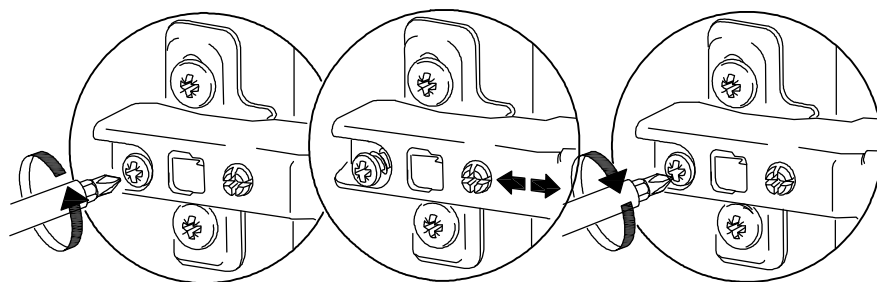
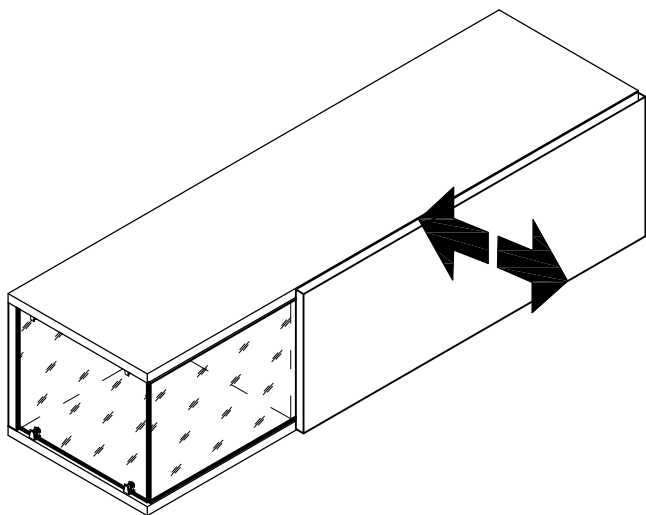
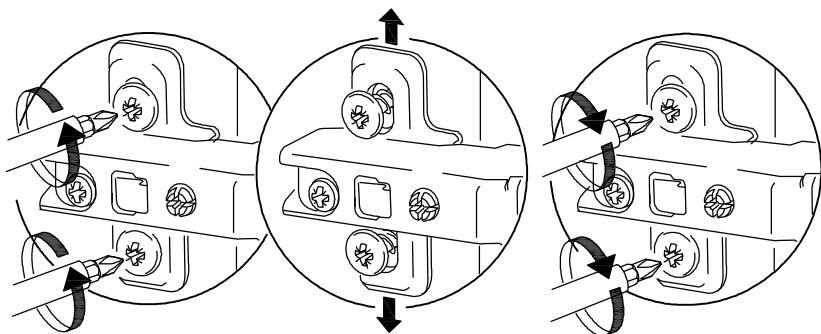
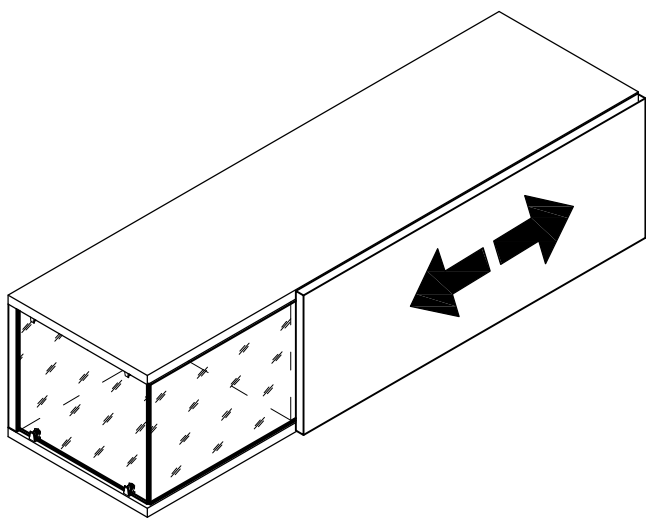
<p>D $\phi 20\text{mm}$ x12</p>	<p>E6 3,5*16mm x2</p>
--	-----------------------



22

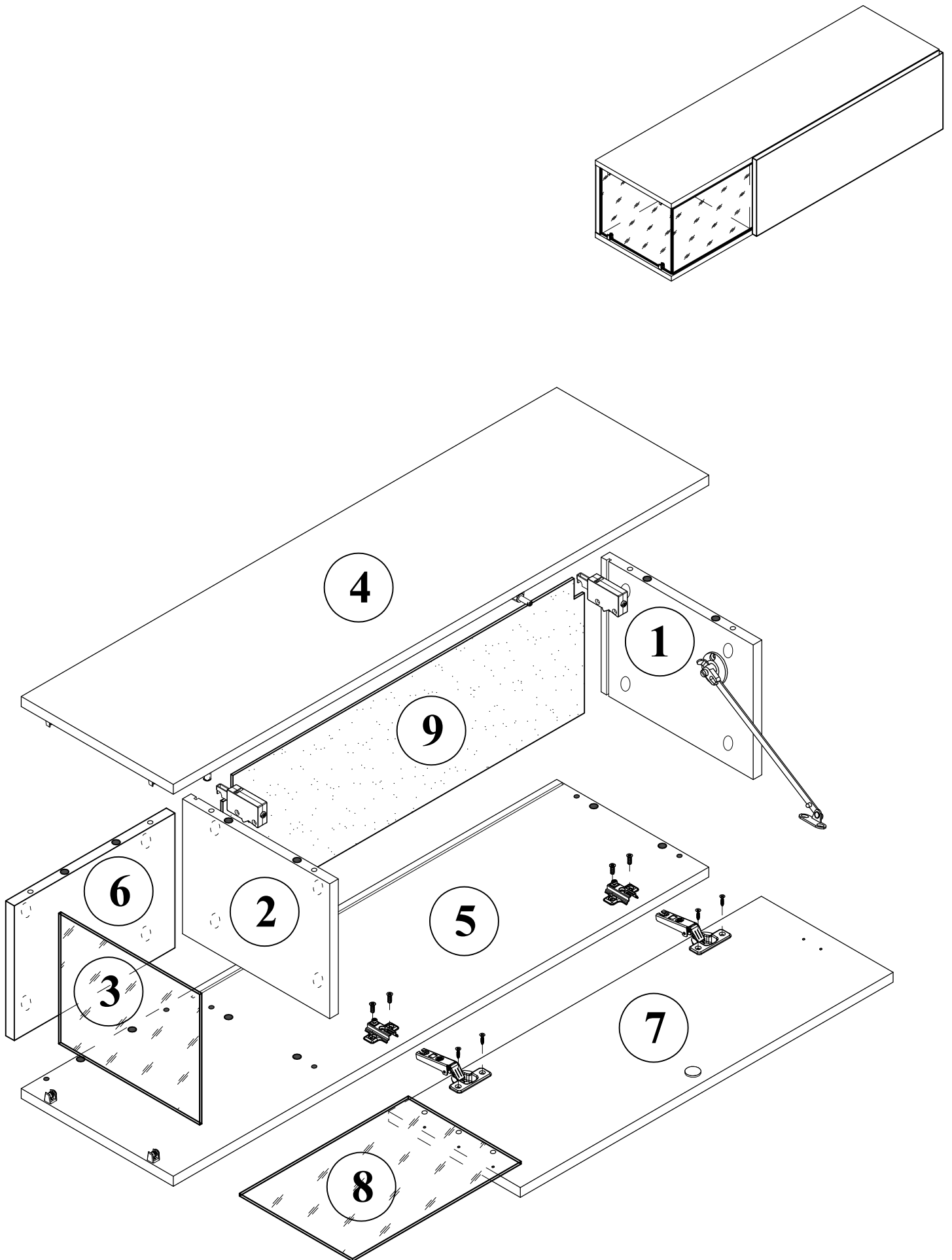
С

Лего / Lego




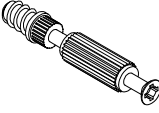
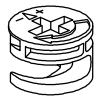

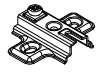
D x2

Лего / Lego

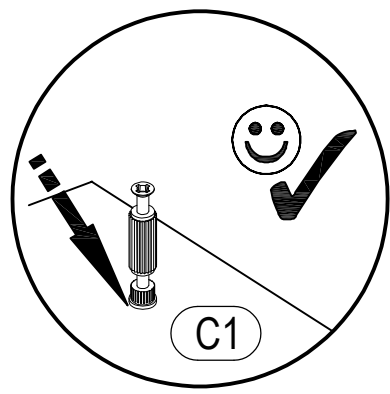
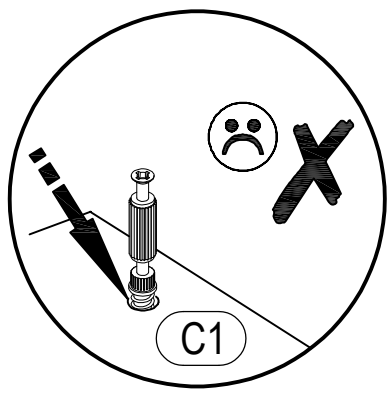
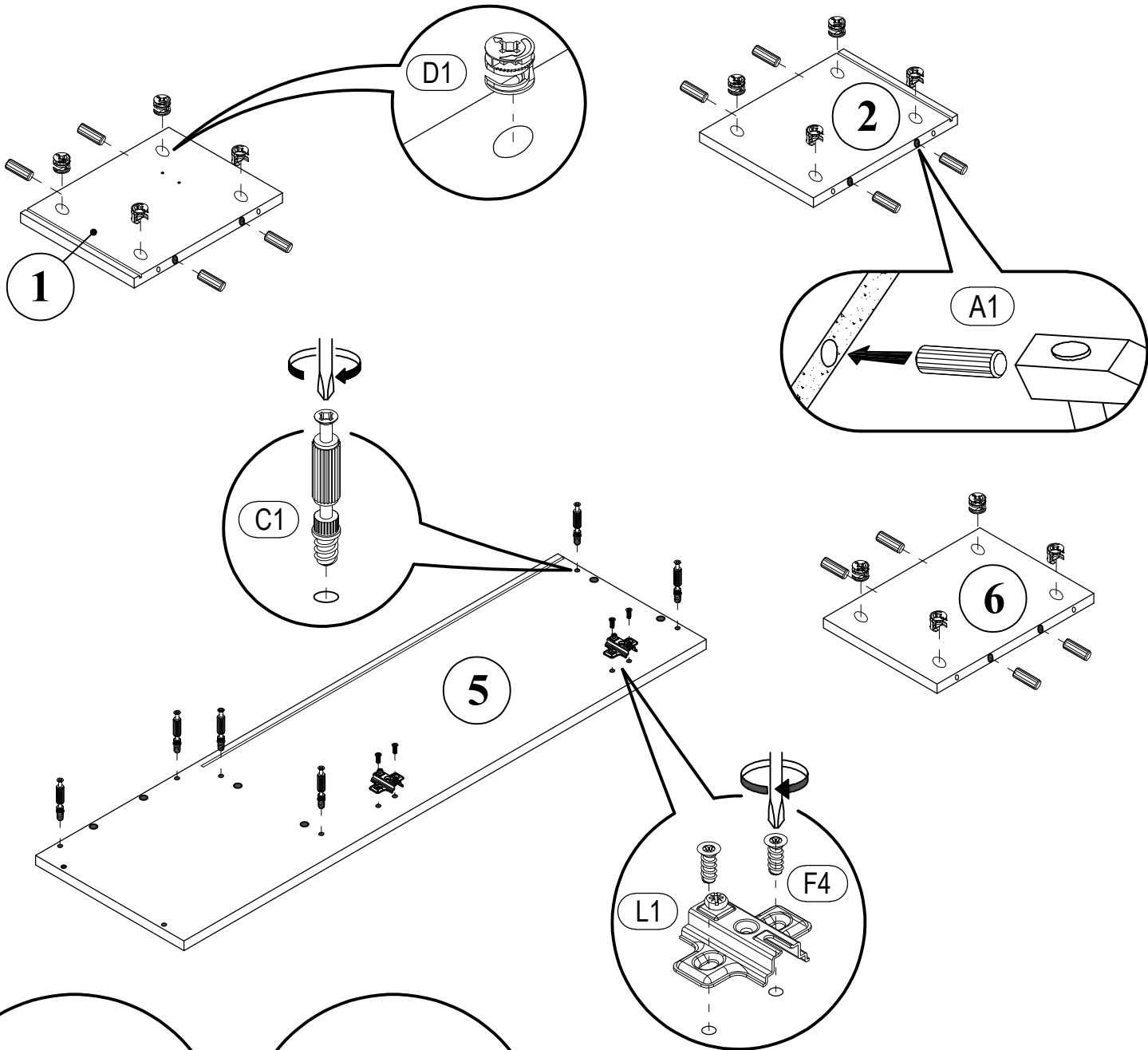


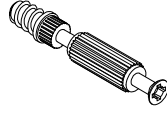
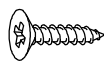

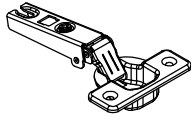
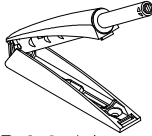
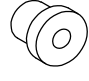
D x2

Лего / Lego

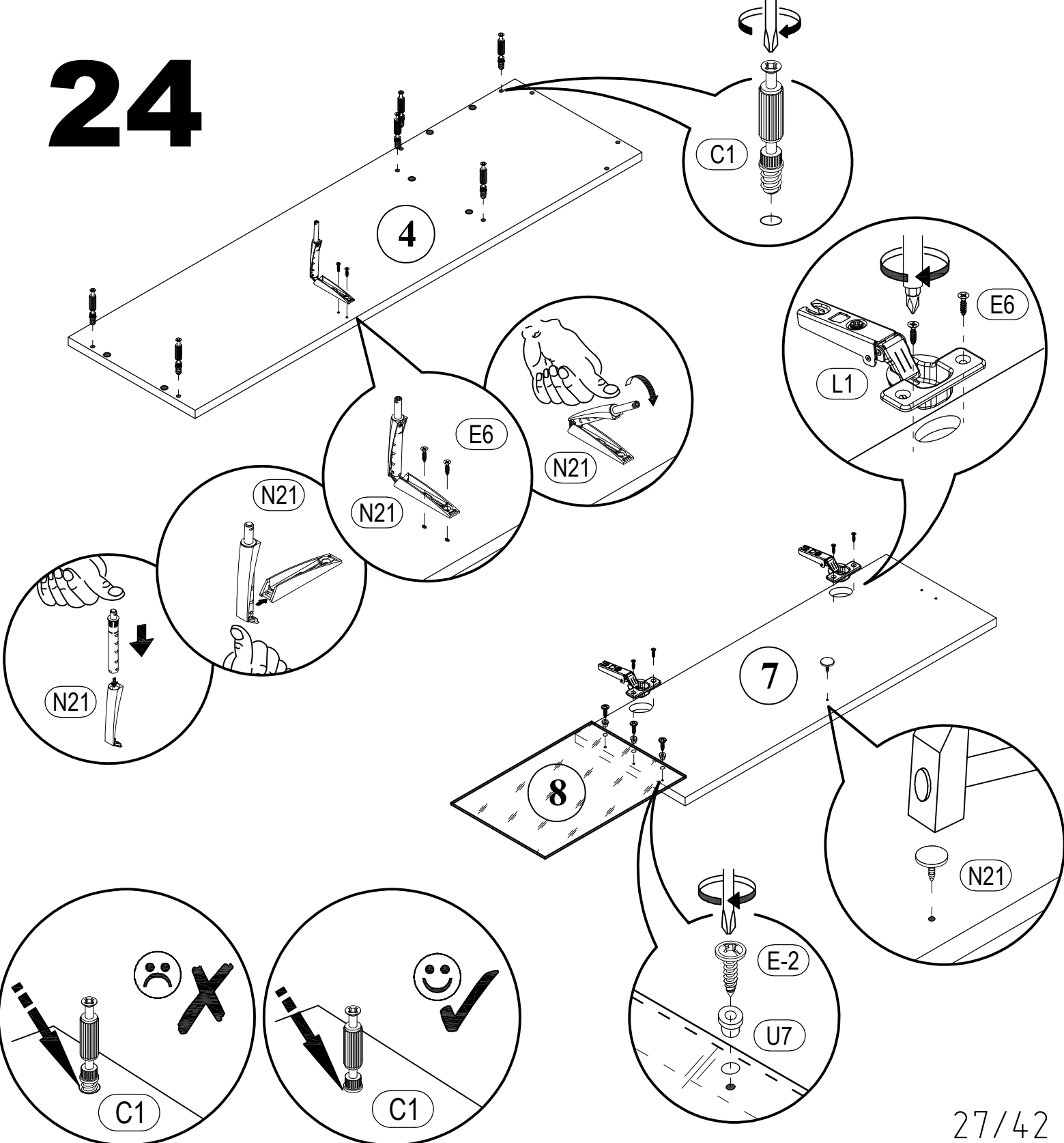
 A1 8*30mm x12	 C1 6*43mm x6	 D1 16mm x12
	 F4 6,3*13mm x4	 L1 x2

23



 C1 6*43mm x6	 E6 3,5*16mm x6	 E-2 4,2*16mm x3
 L1 x2	 N21 P20 Magnet x1	 U7 M6 x3

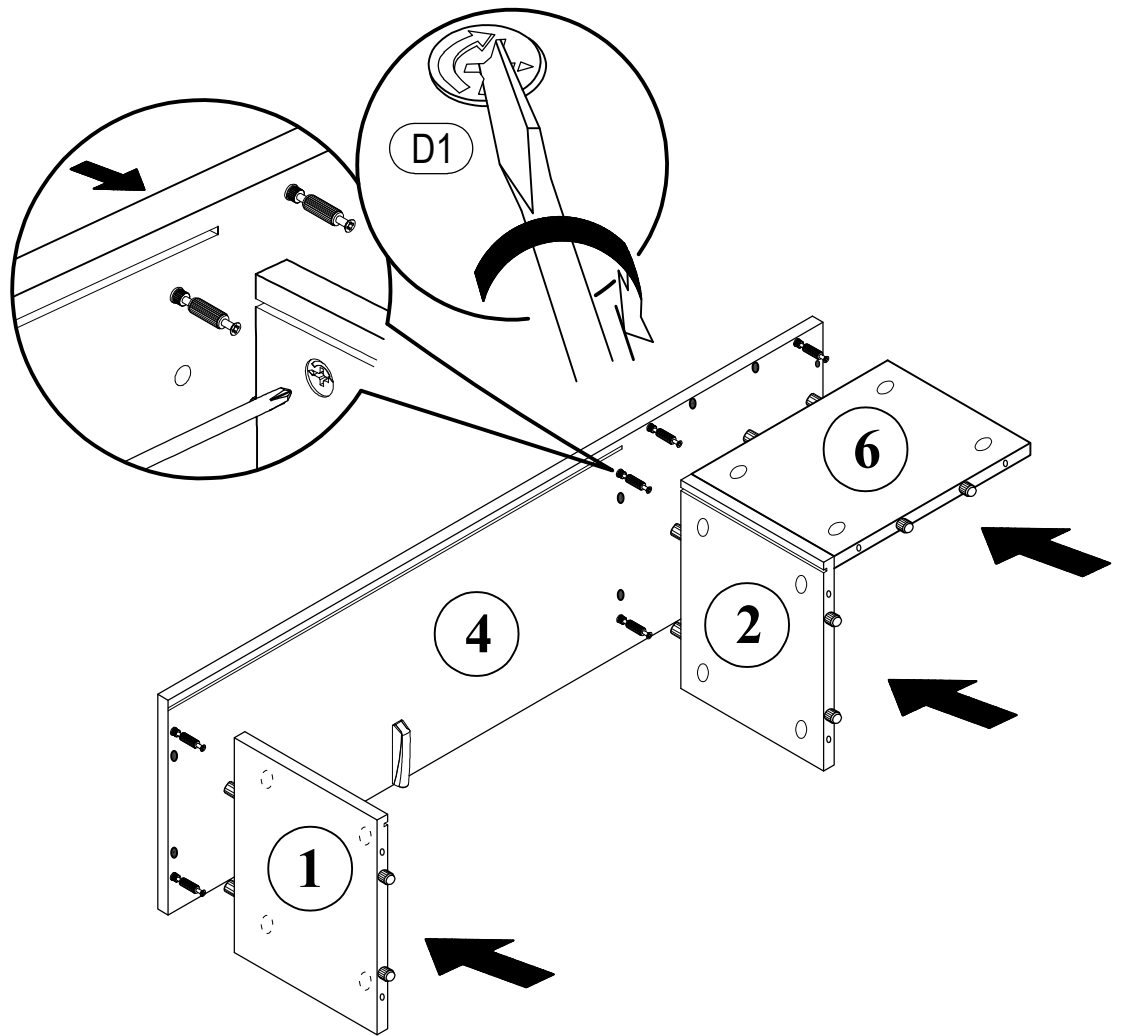
24



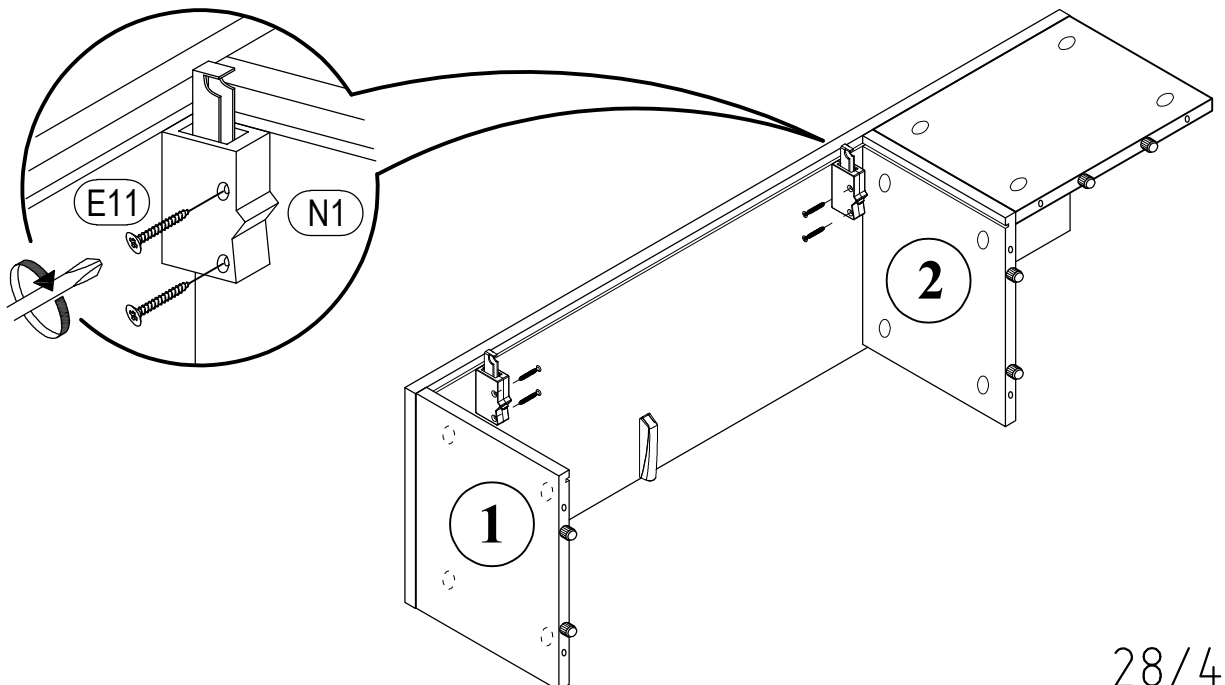
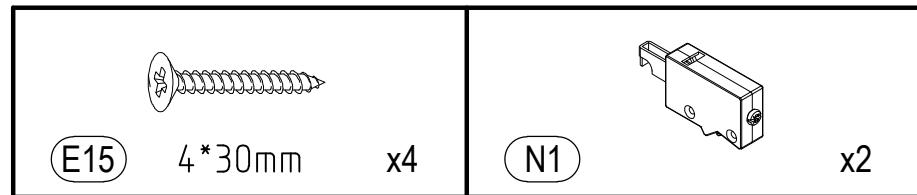
D x2

Лего / Lego

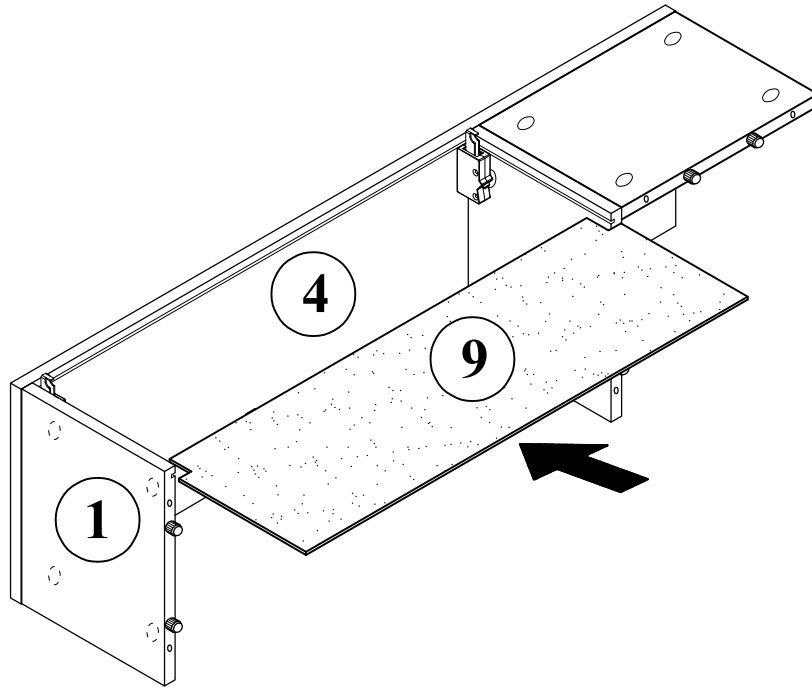
25



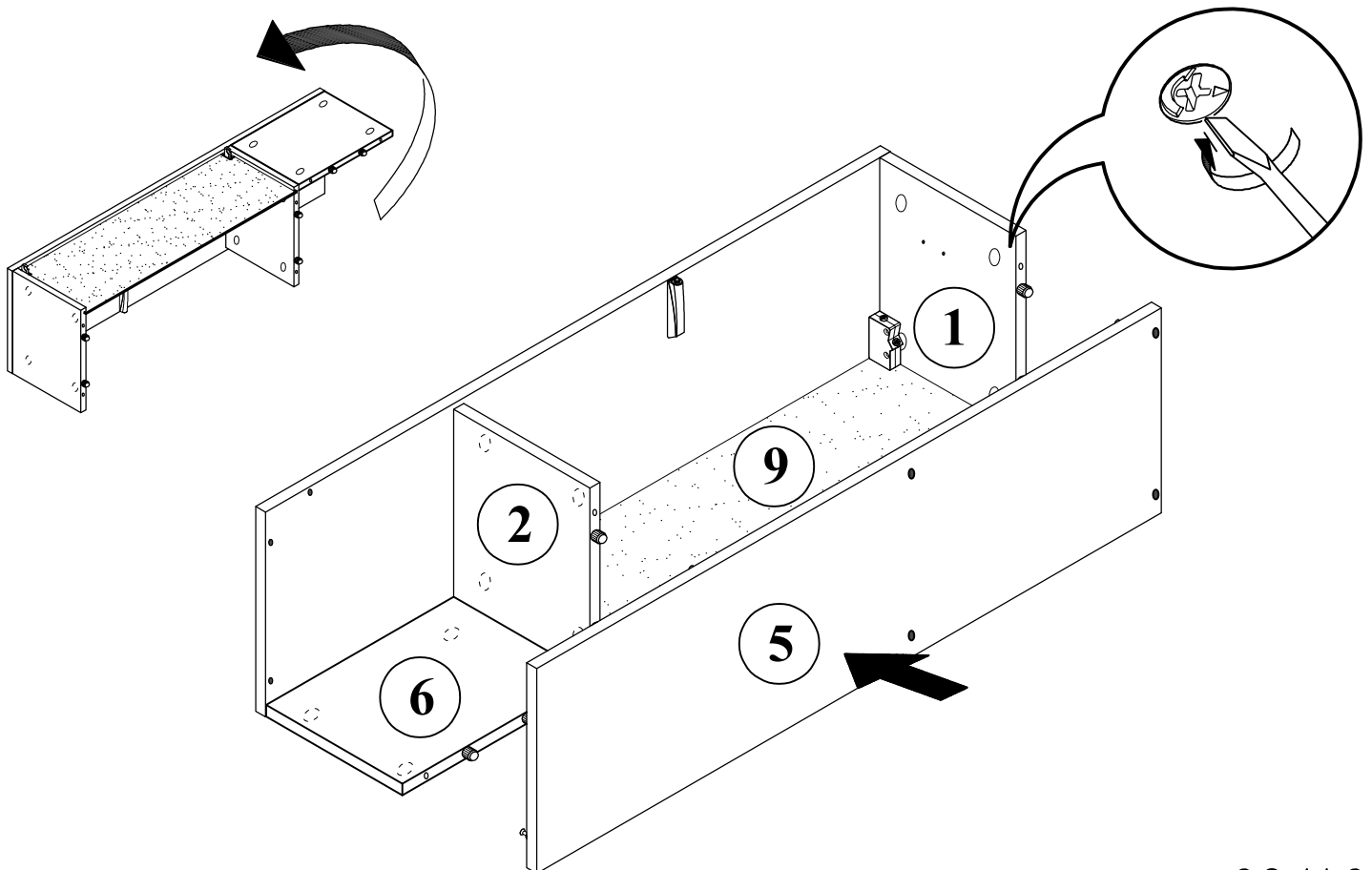
26



27



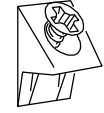
28

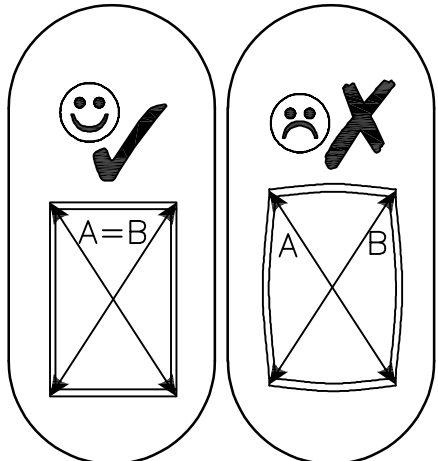
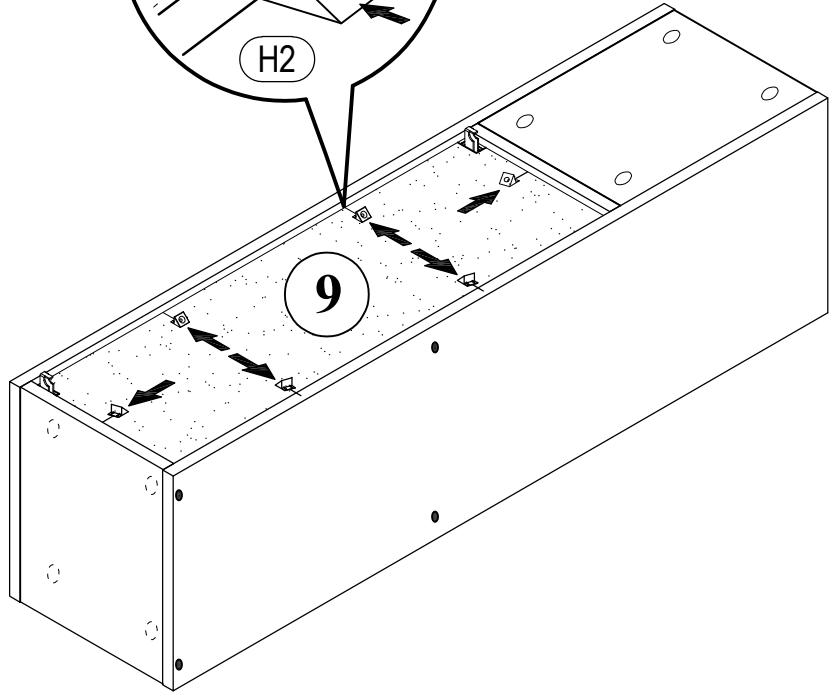
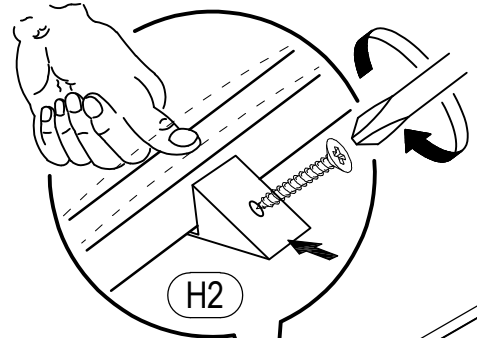
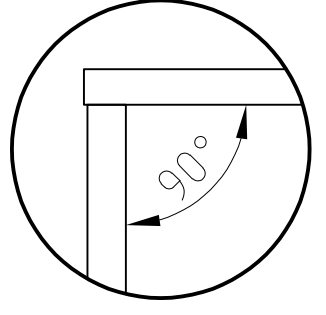
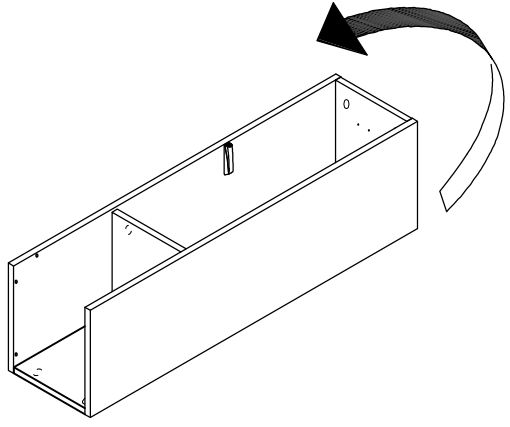


D x2

Лего / Lego

29

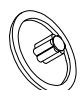
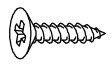
H2		x6
----	---	----

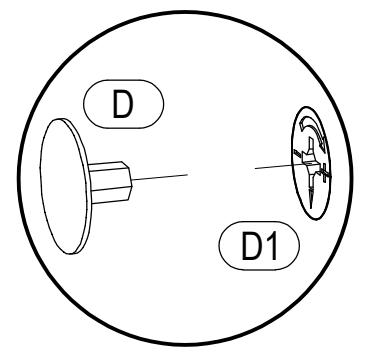
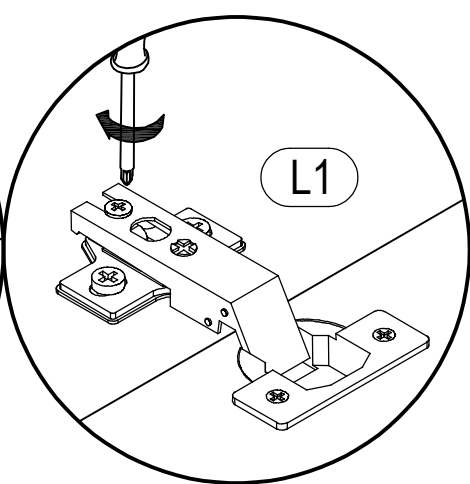
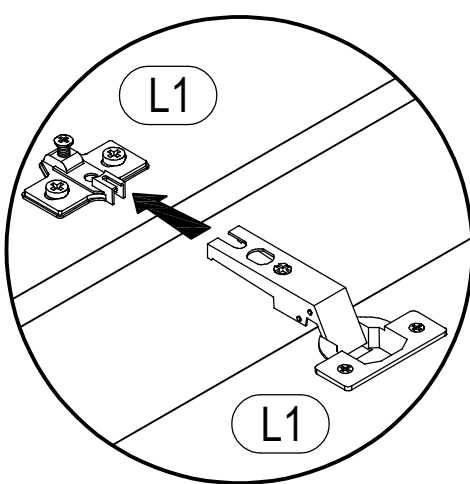
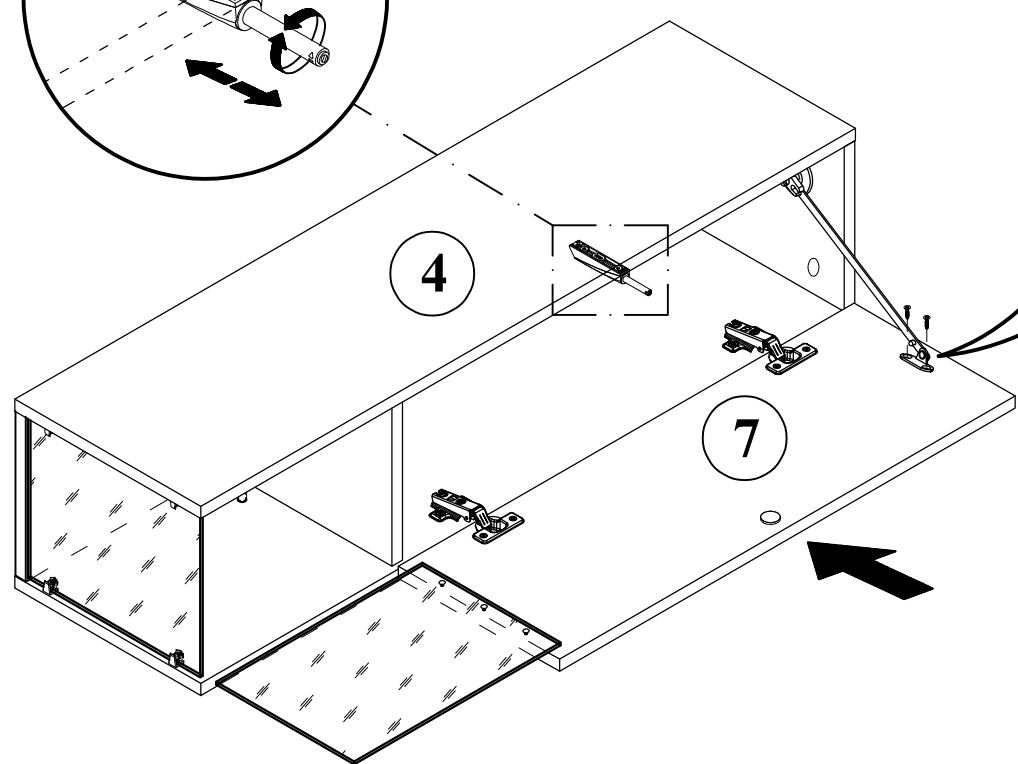
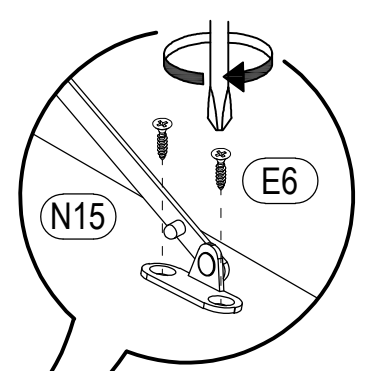
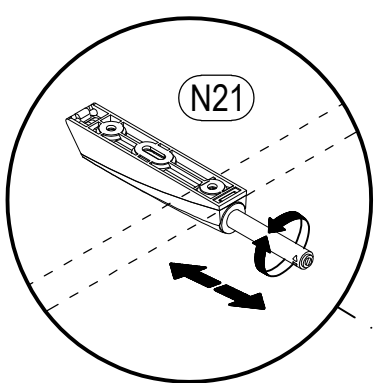


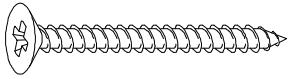
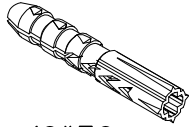
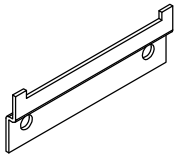
D x2

Лего / Lego

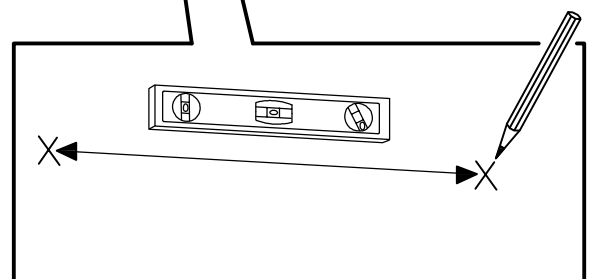
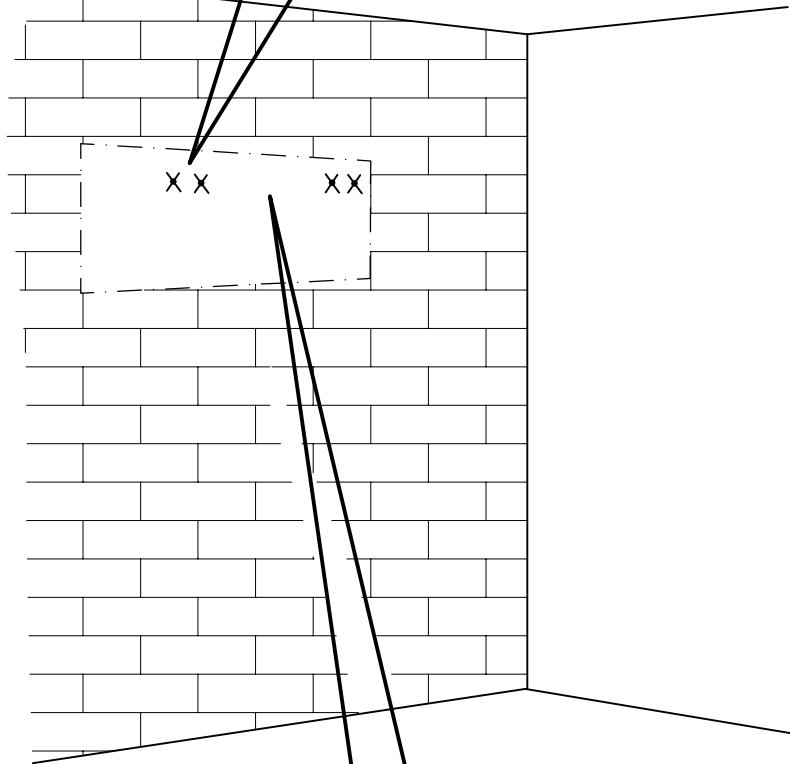
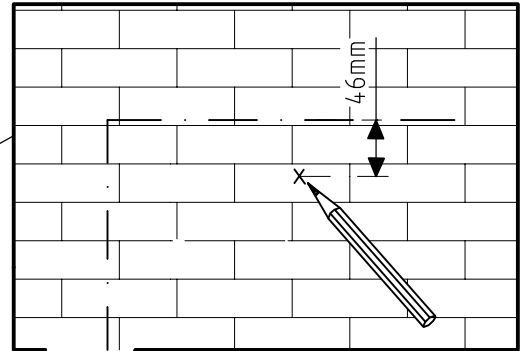
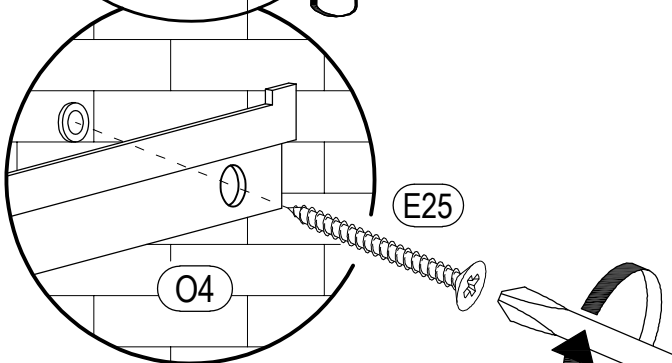
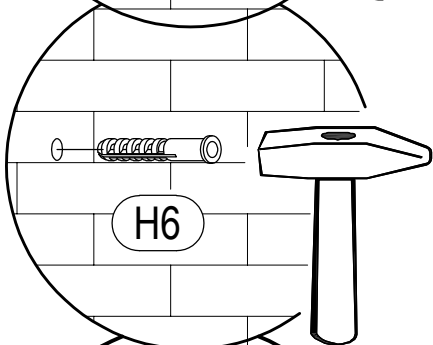
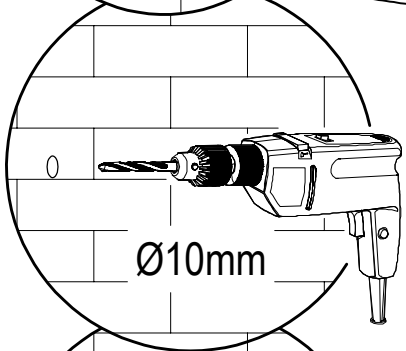
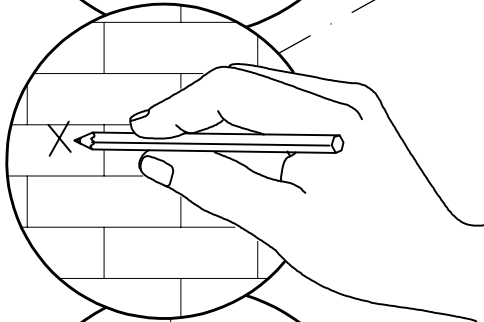
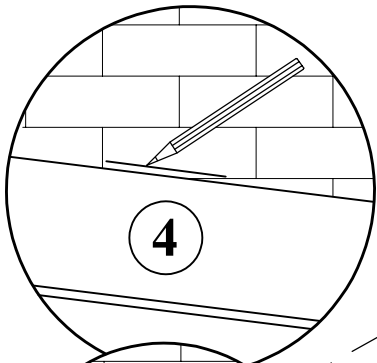
31

 D $\phi 20\text{mm}$ x12	 E6 3,5*16mm x2
--	---

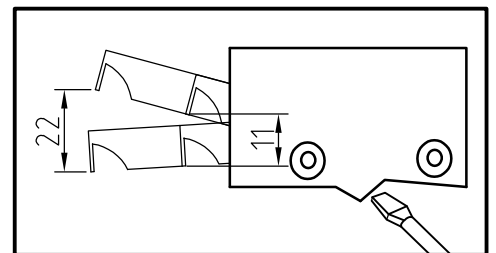
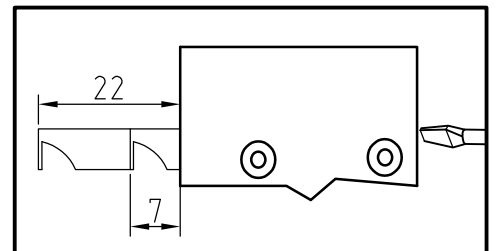
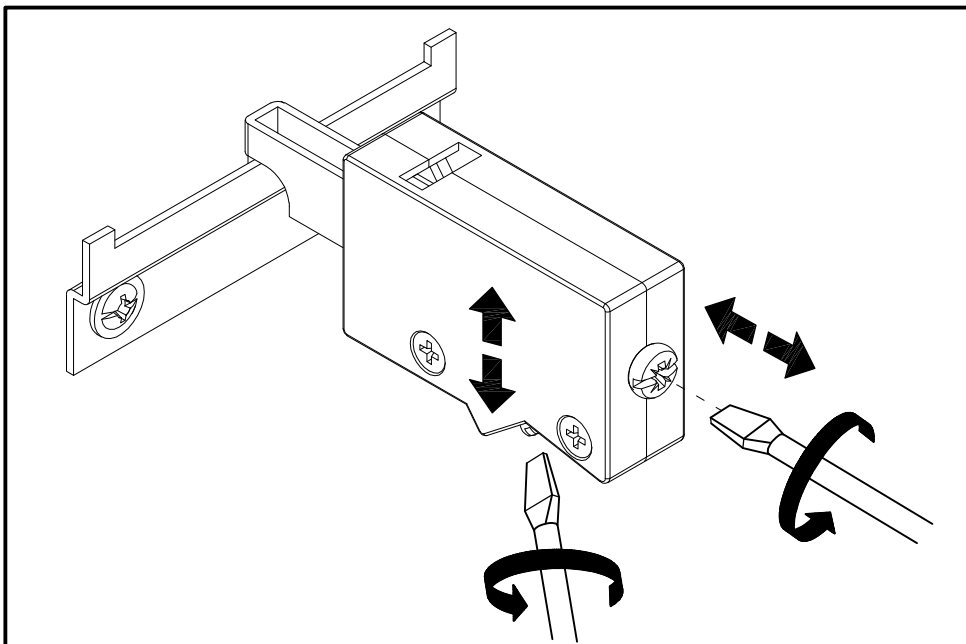
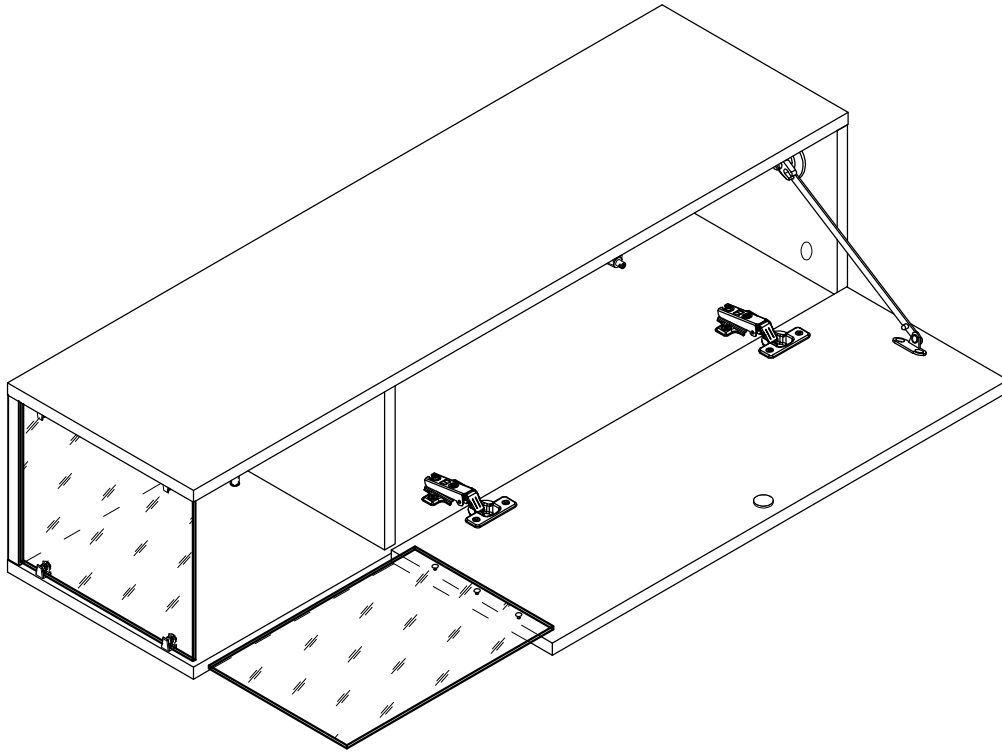


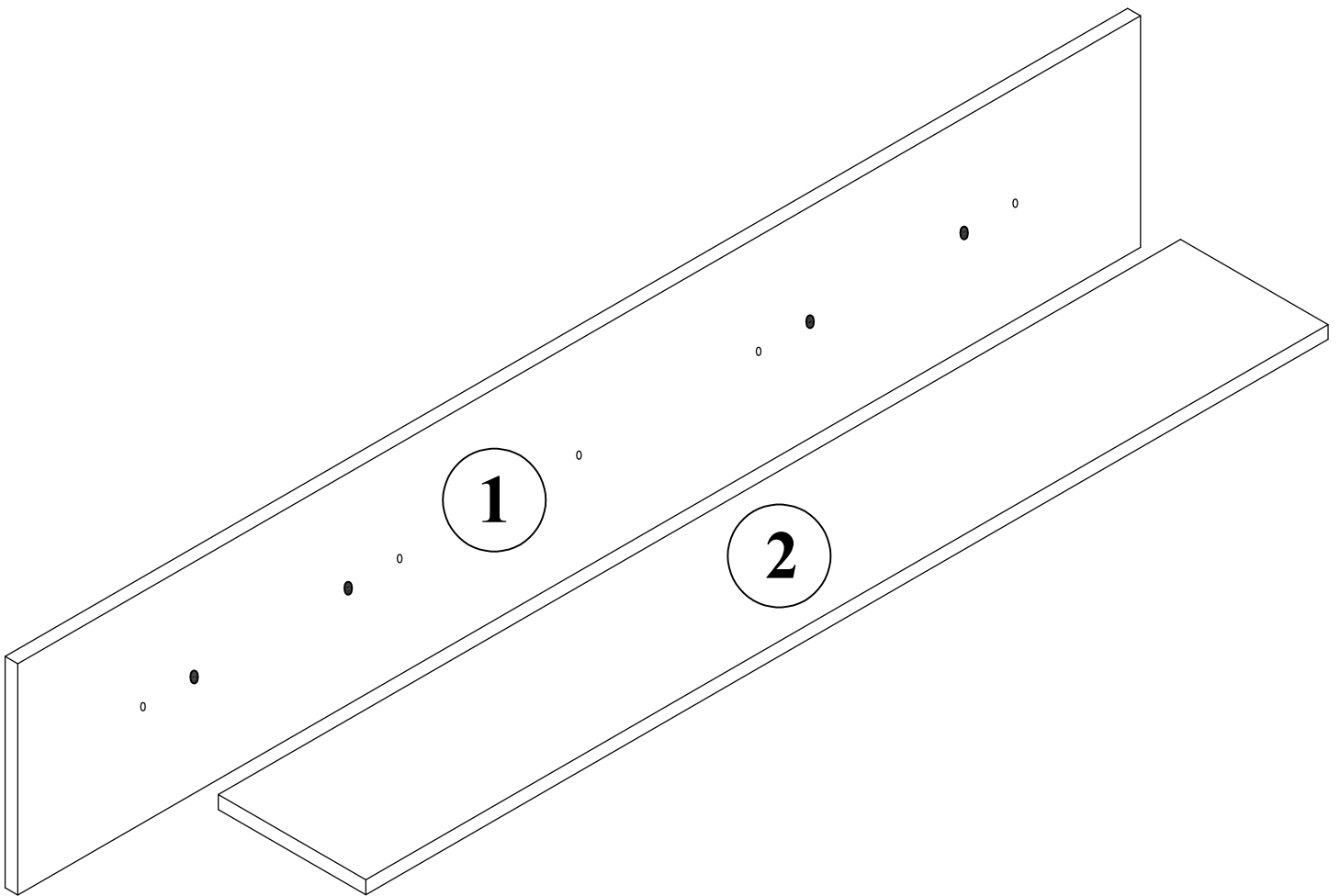
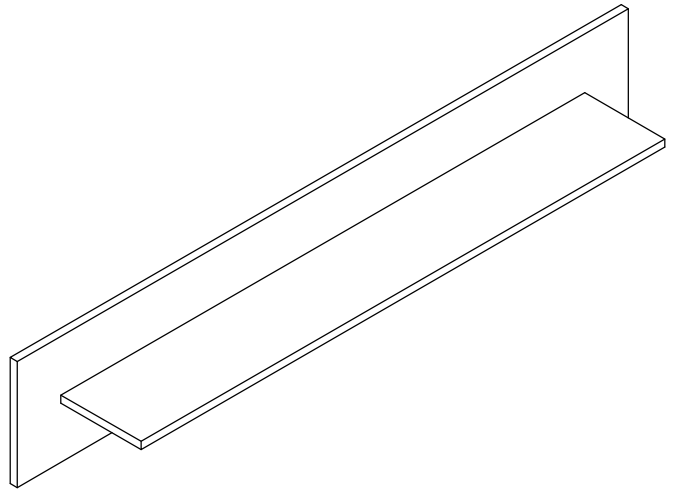
 E25 6*60mm x4	 H6 10*50mm x4	 O4 x2
---	---	---



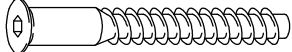
32

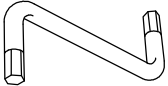


33

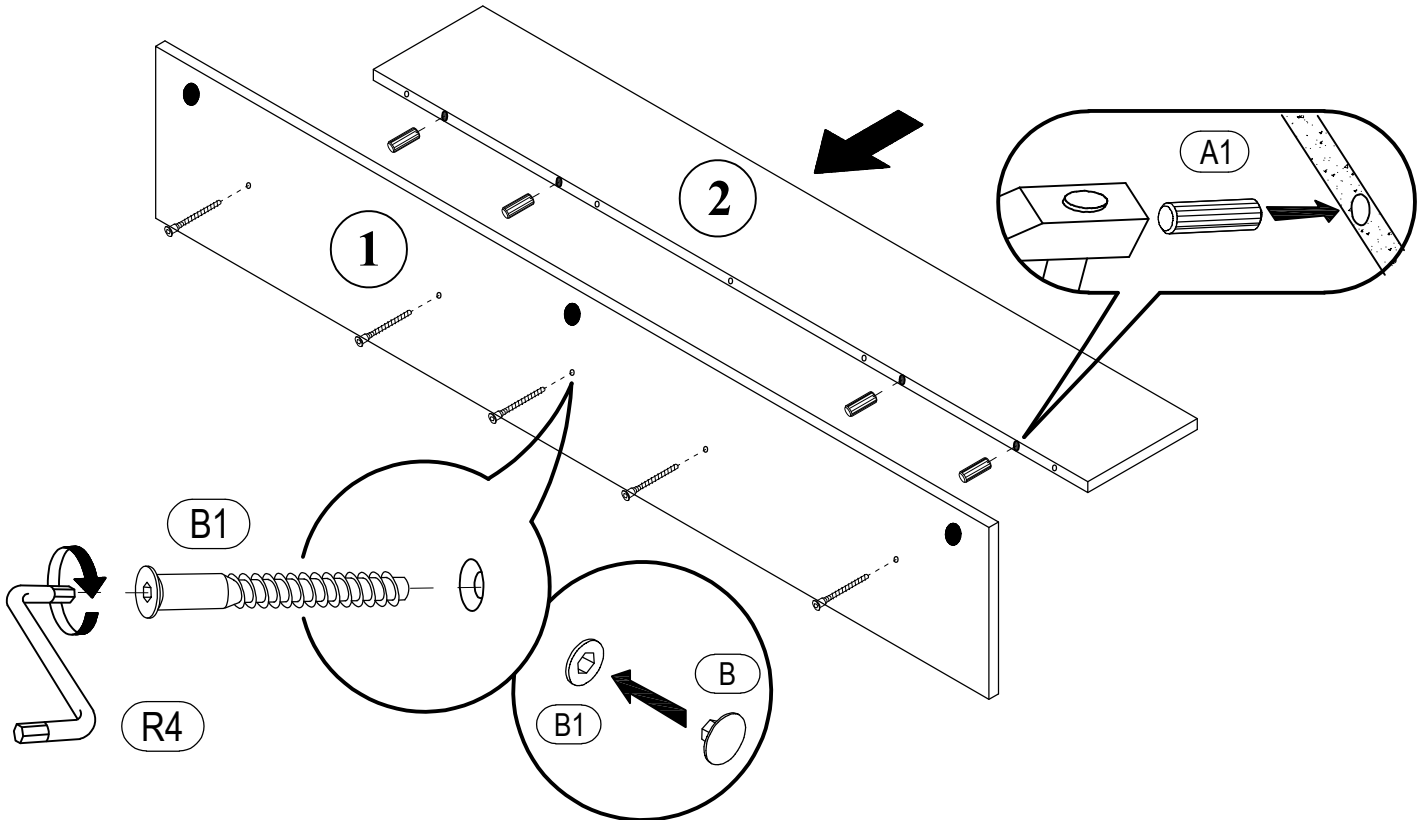






 A1 8*30mm x4	 B x5	 B1 6,3*50mm x5
--	--	--

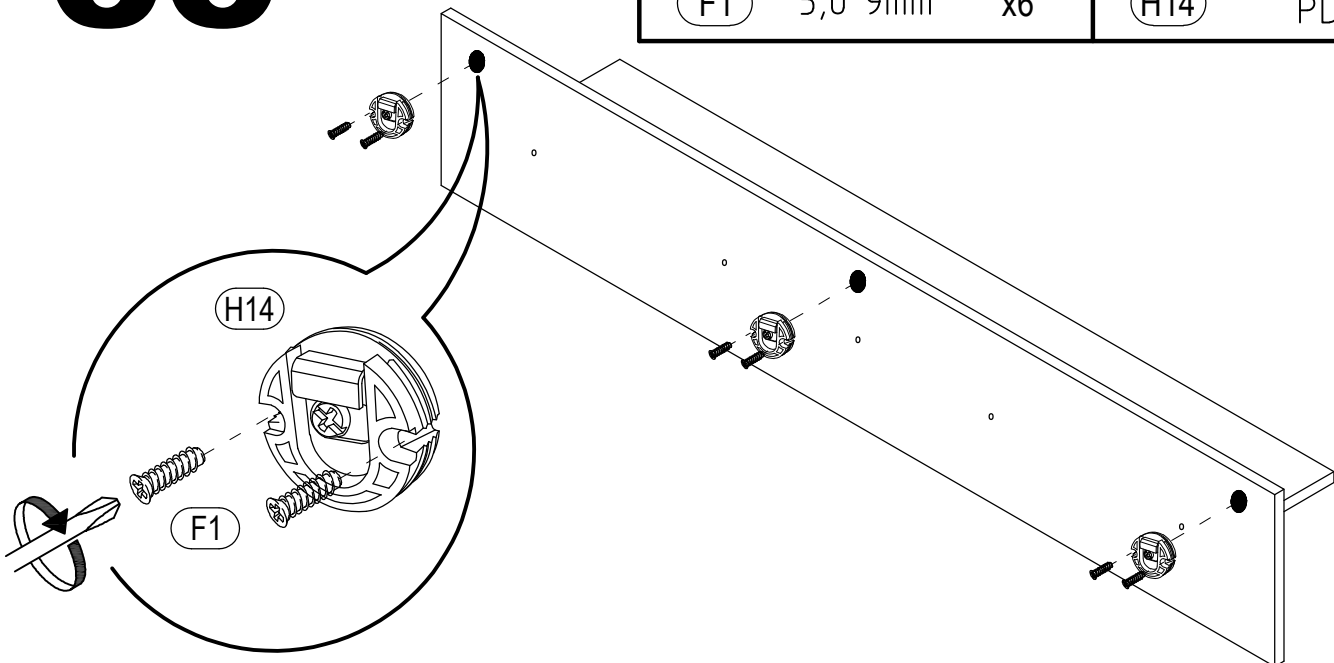
 R4 N°4 x1

34

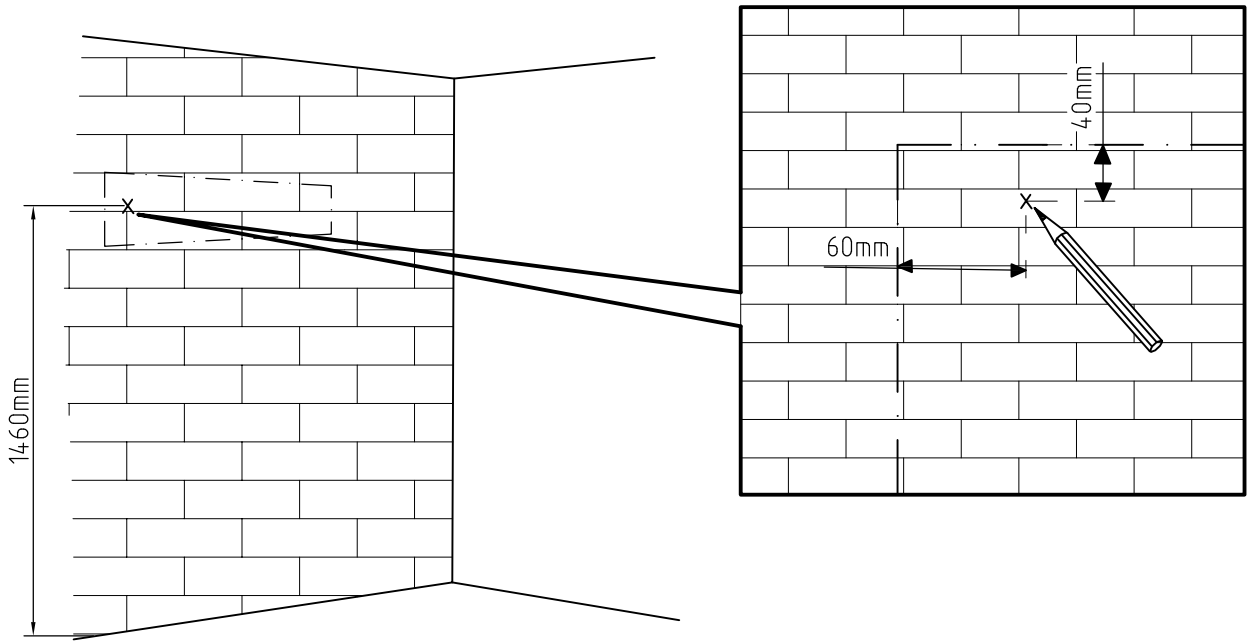


35

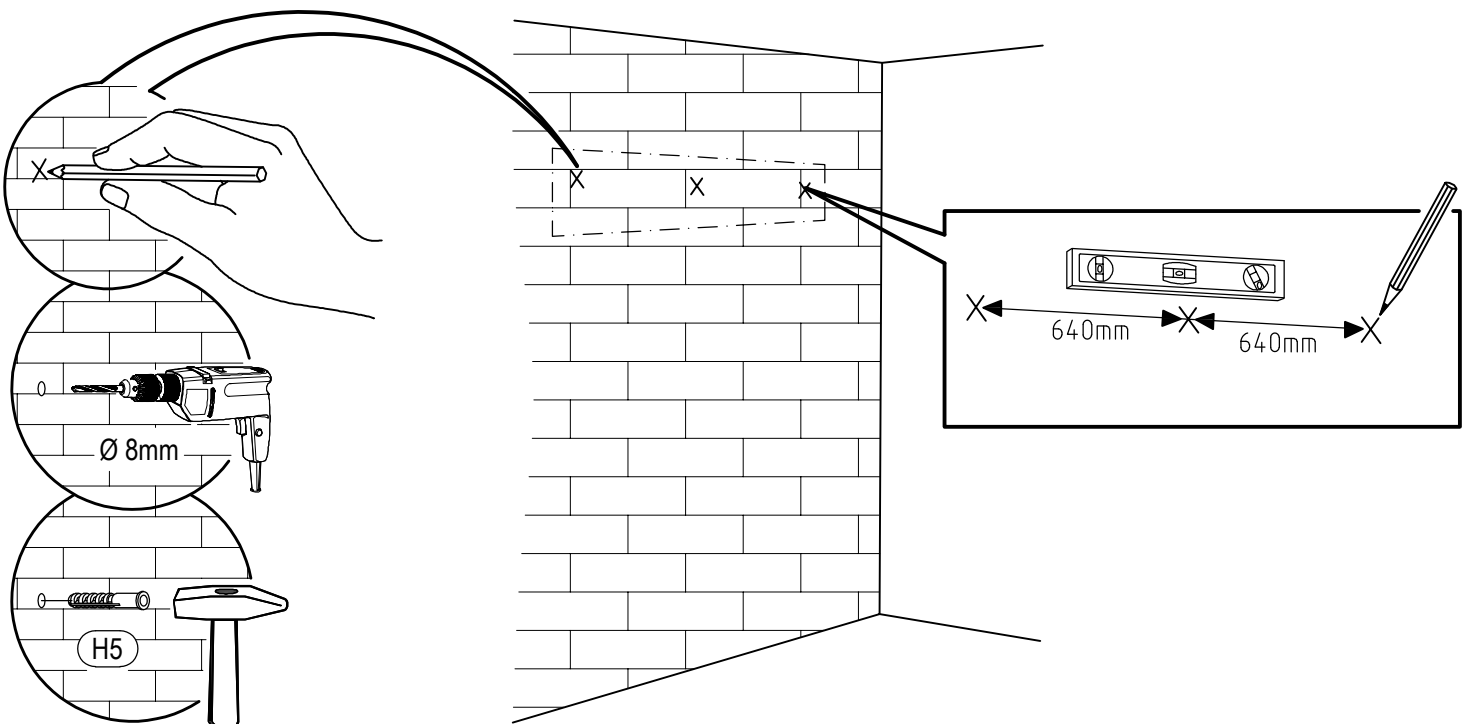
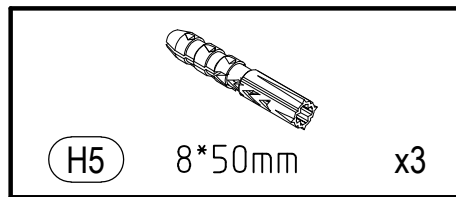
 F1 5,0*9mm x6	 H14 PD 35 x3
---	--



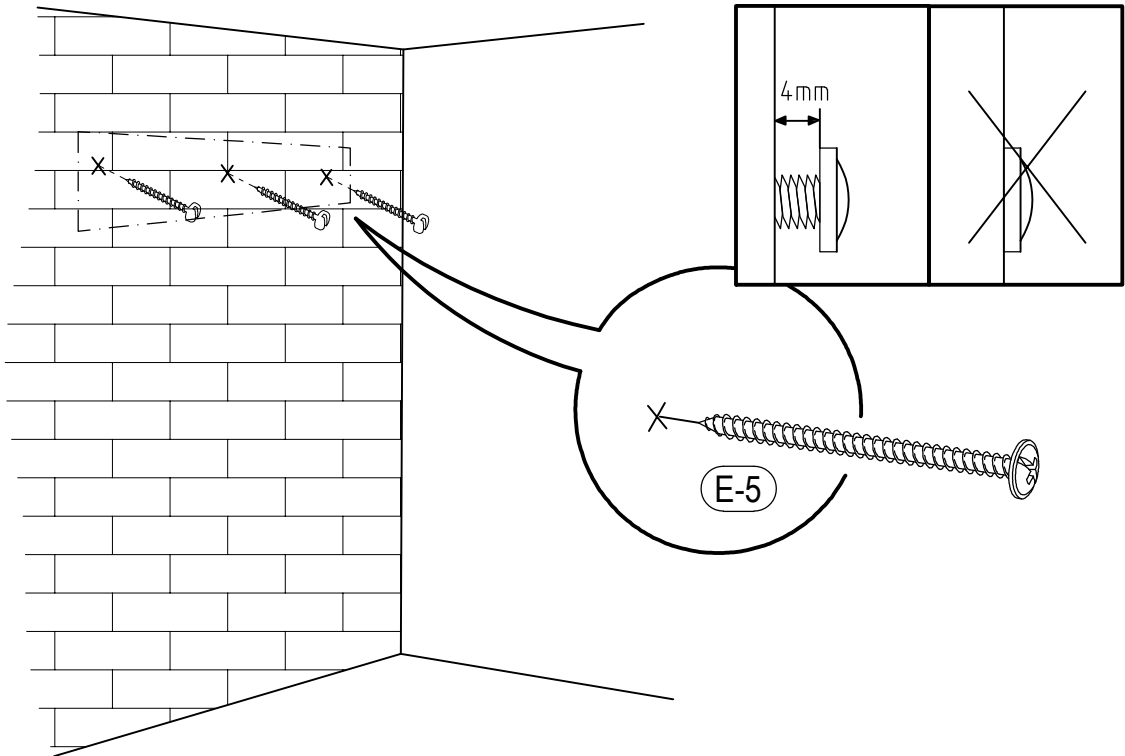
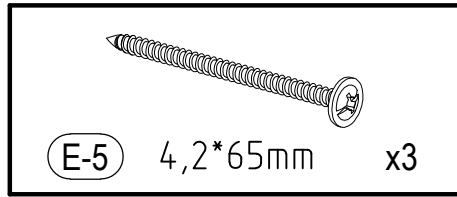
36



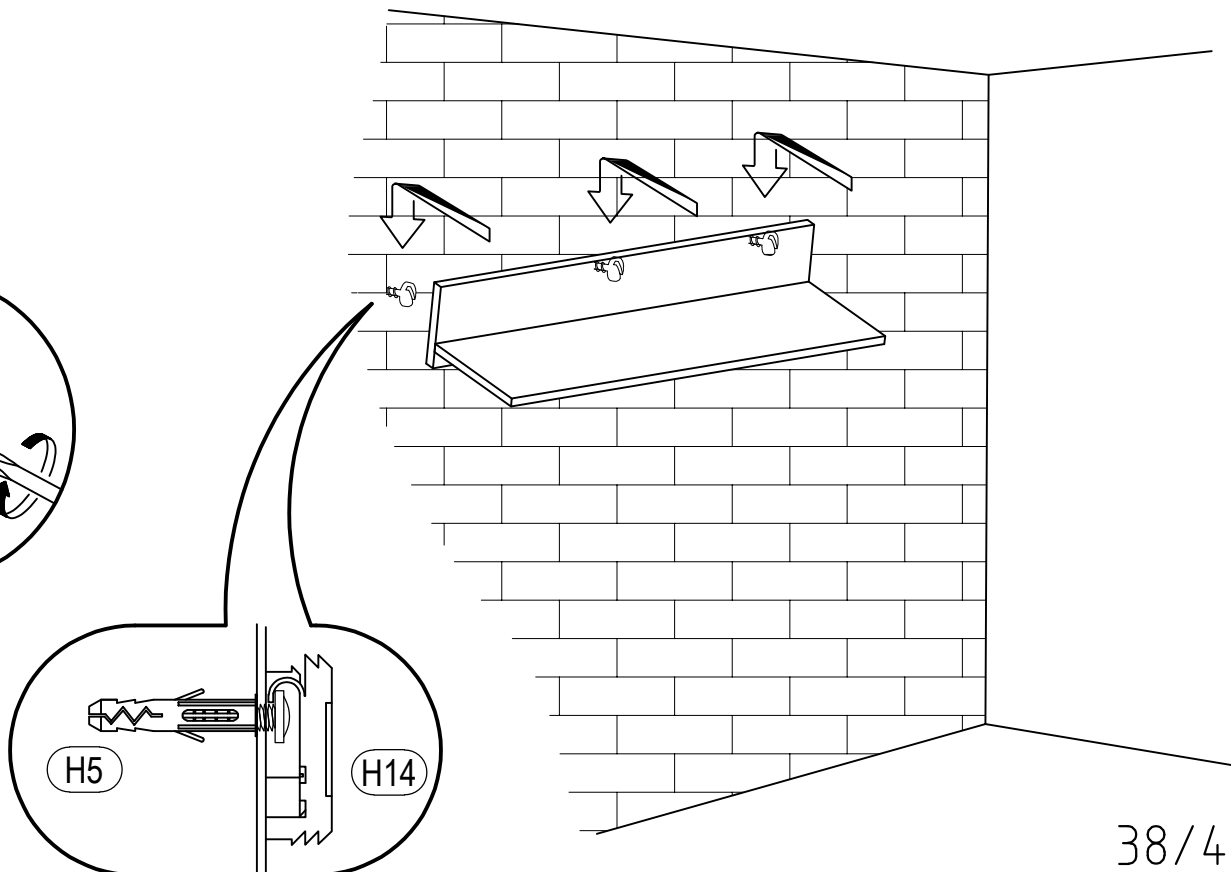
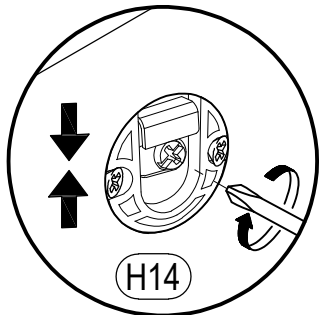
37



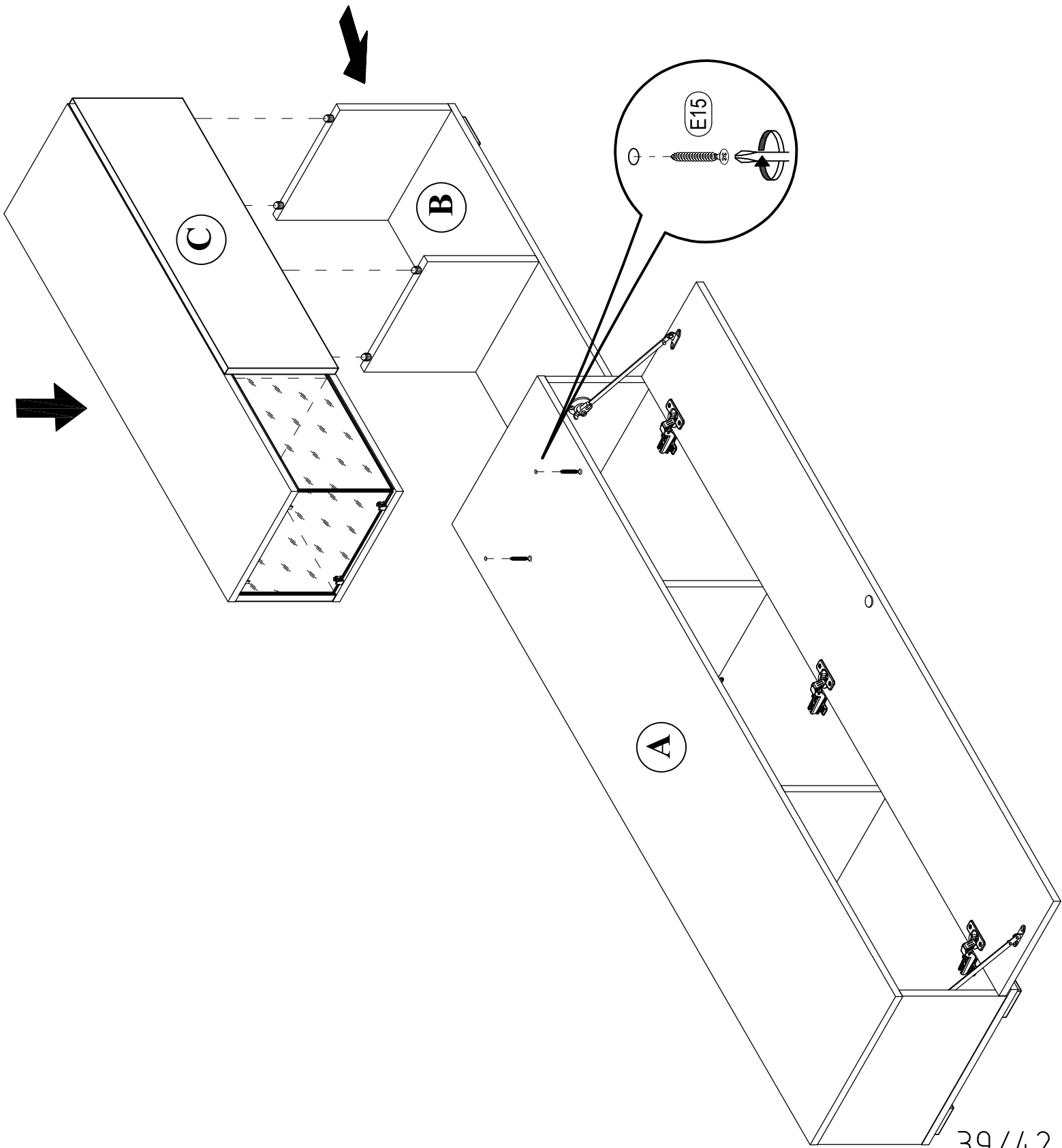
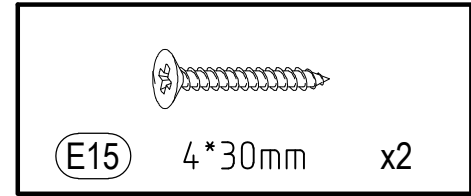
38



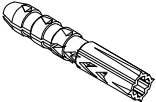
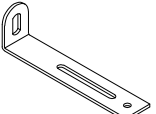


39



40



 (E-2) 4,2*16mm x2	 (E-5) 4,2*65mm x1	 (H5) 8*50mm x1
		 (S16) 260.54.900 x1

41

