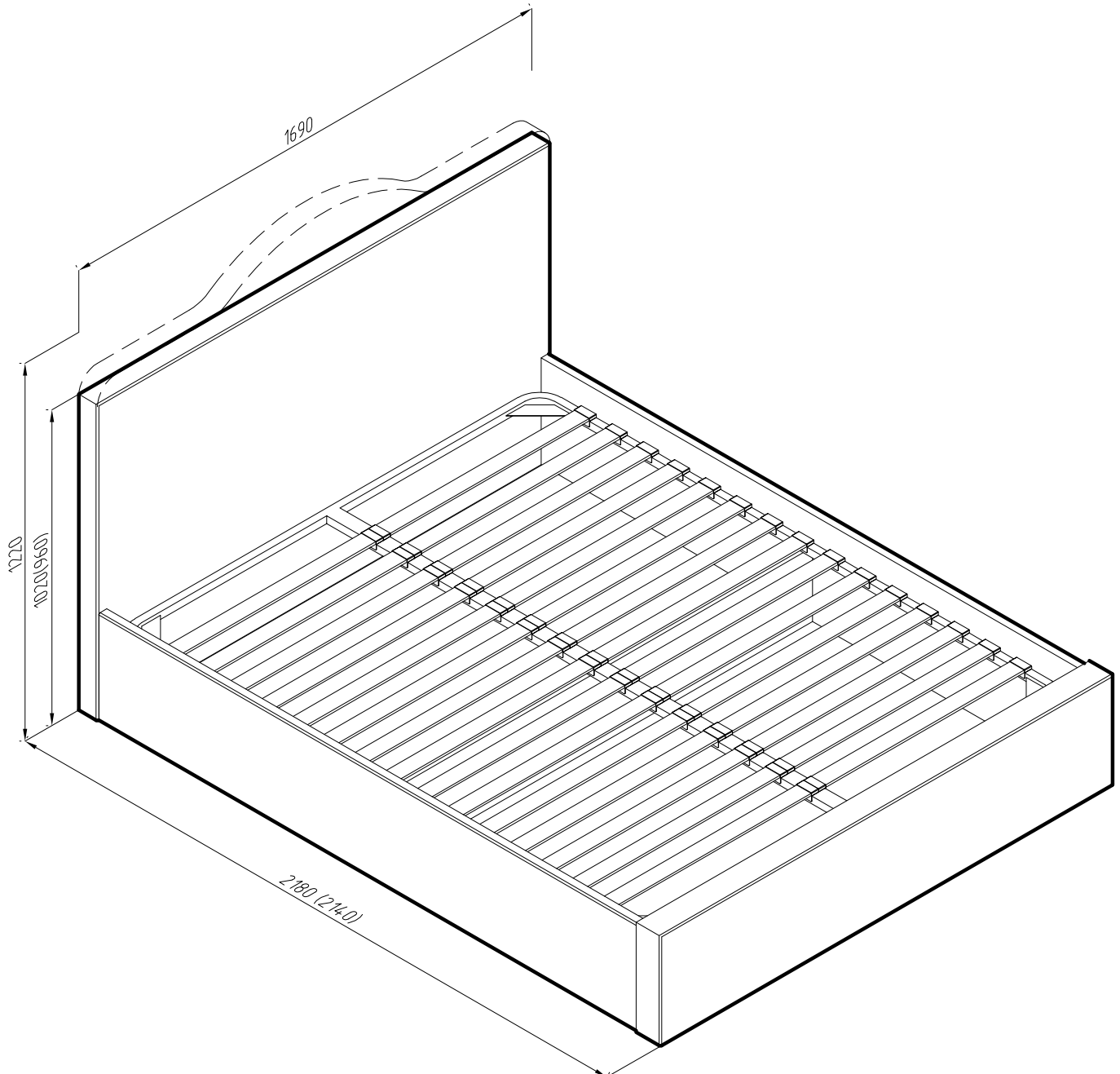
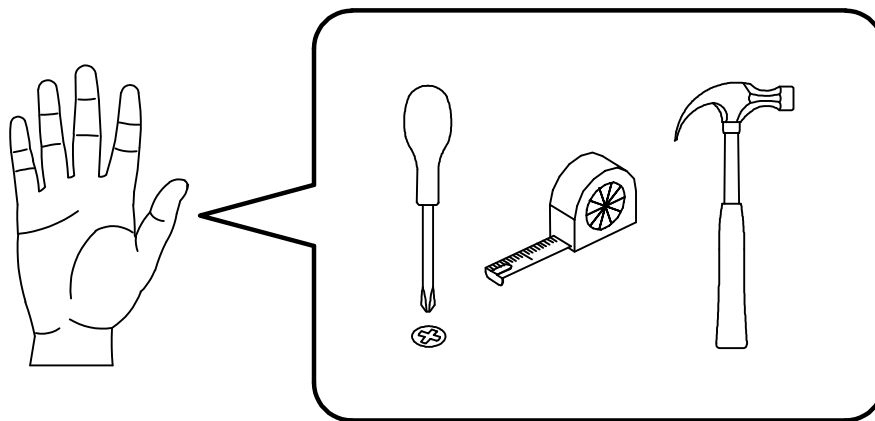


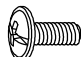
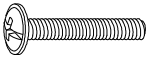
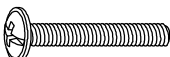
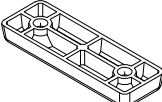
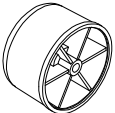
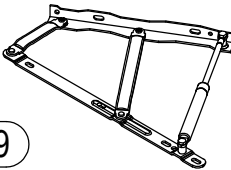
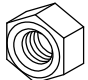


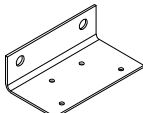
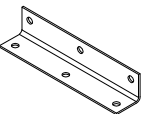



CAROLINA 1-5

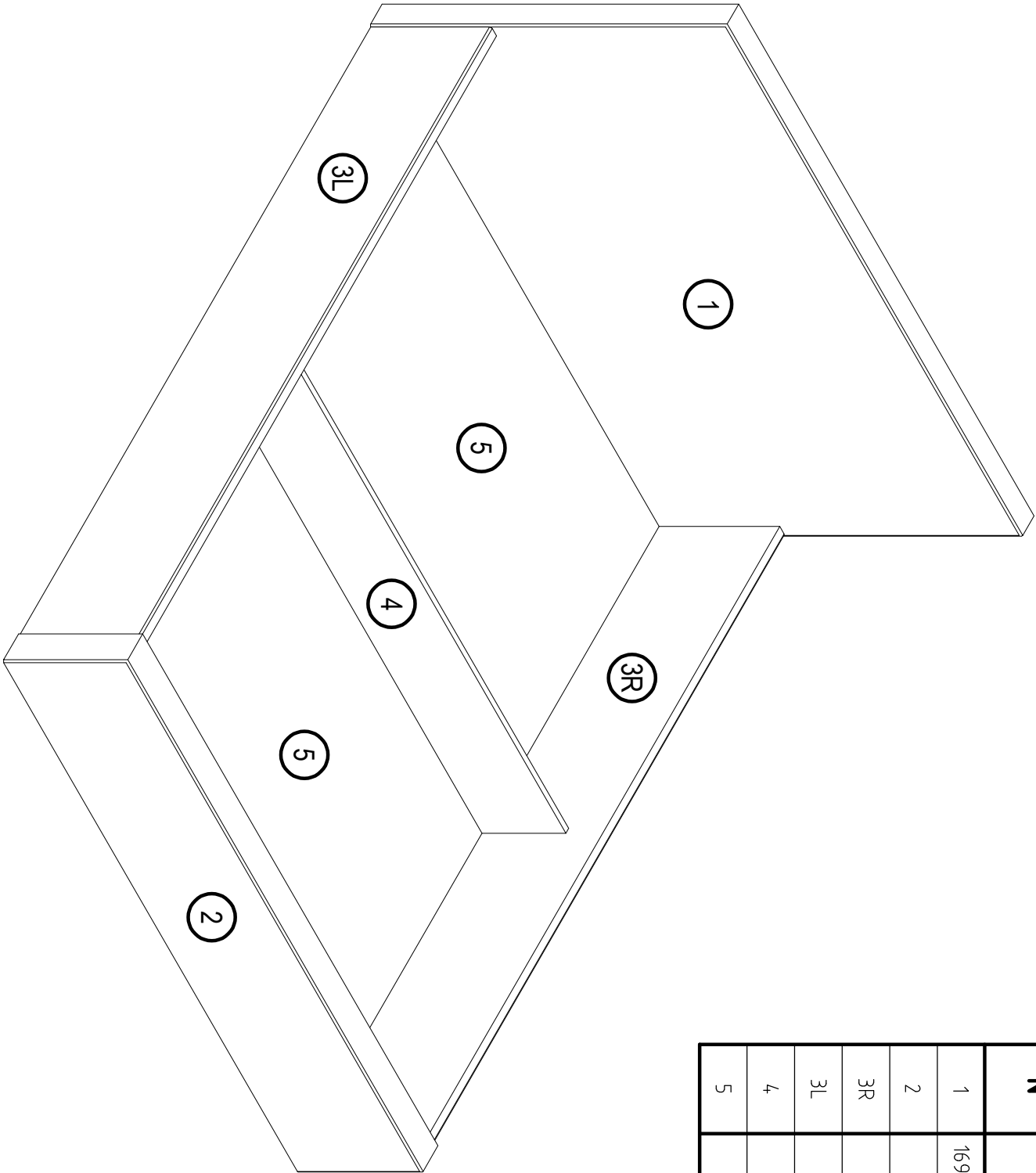
Double bed with lifting mechanism

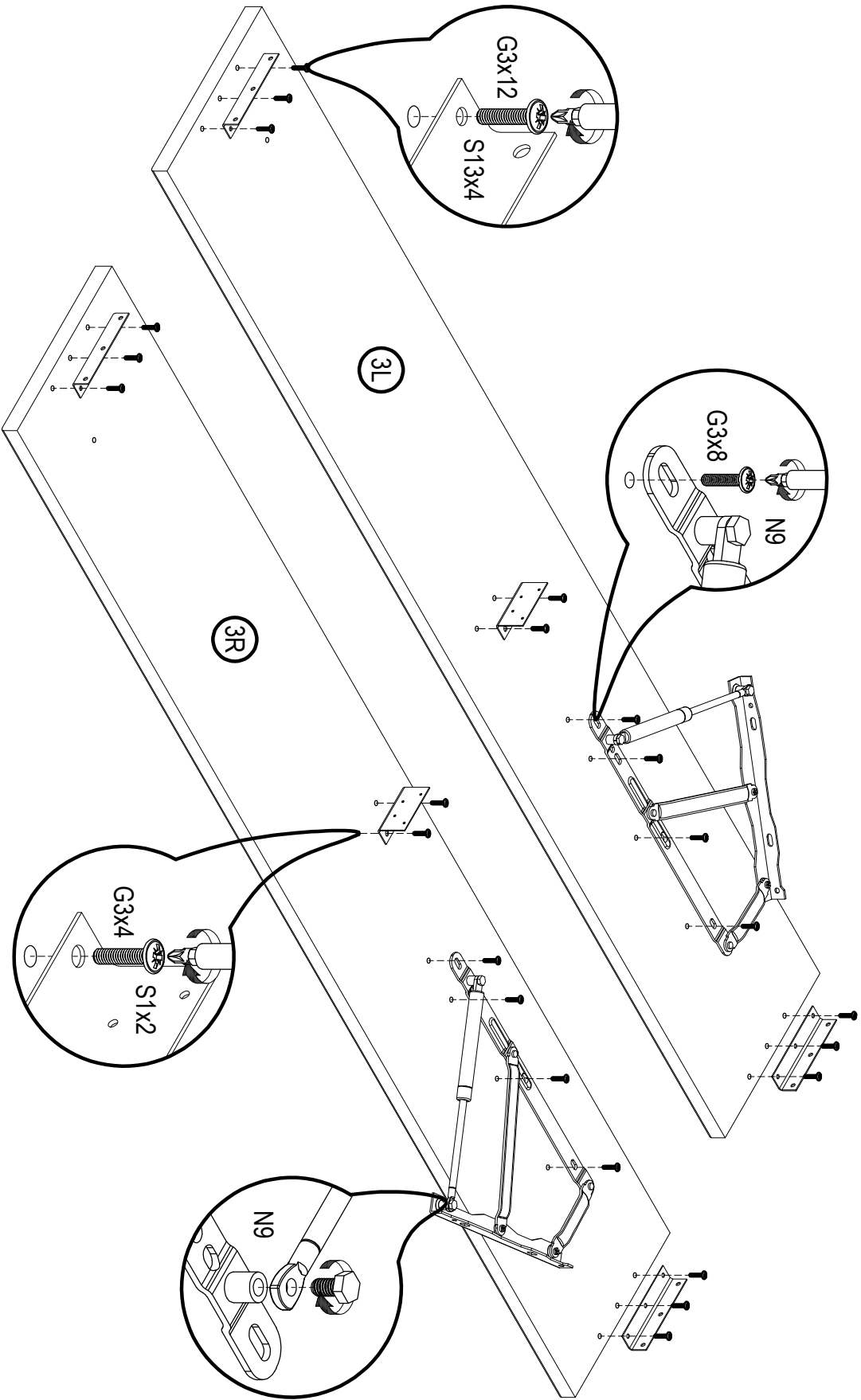


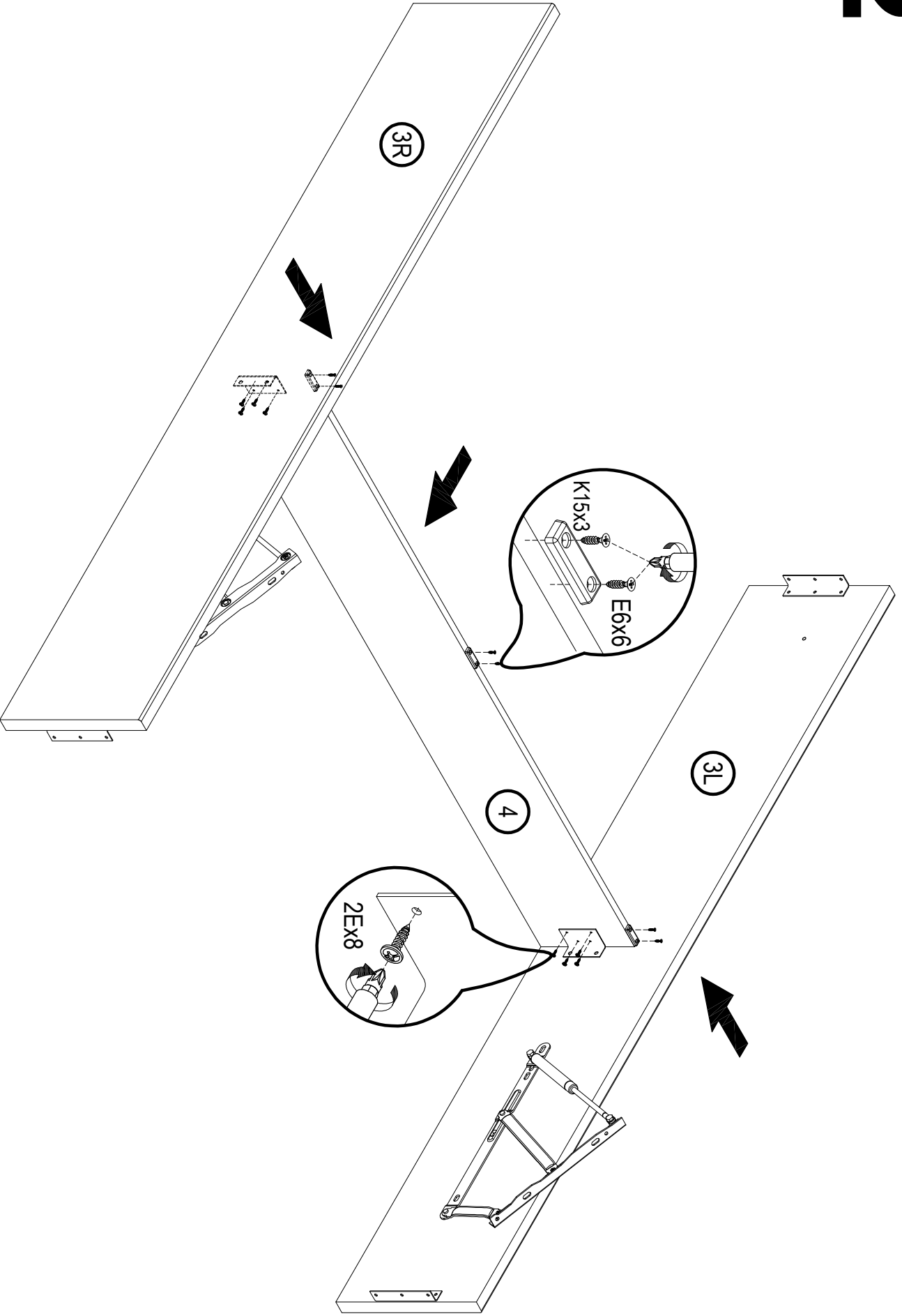


| | | |
|--|--|--|
|  (E6) 3,5*16mm x6 |  (2E) 4,2*16mm x8 |  (G3) M6*20mm x36 |
|  (G7) M6*40 x4 |  (G10) M6*55mm x4 |  (K15) 5*15*50 x3 |
|  (K28) ϕ 52*h35 x4 |  (N9) 1R+1L x1 |  (Q7) M 6 x4 |
|  (Q9) M 6 x4 |  (R3) 1.4*25mm 110g |  (S1) 30x50x90 x2 |
|  (S13) 30x30x150 x4 |  (U4) 30*30mm x14 | |

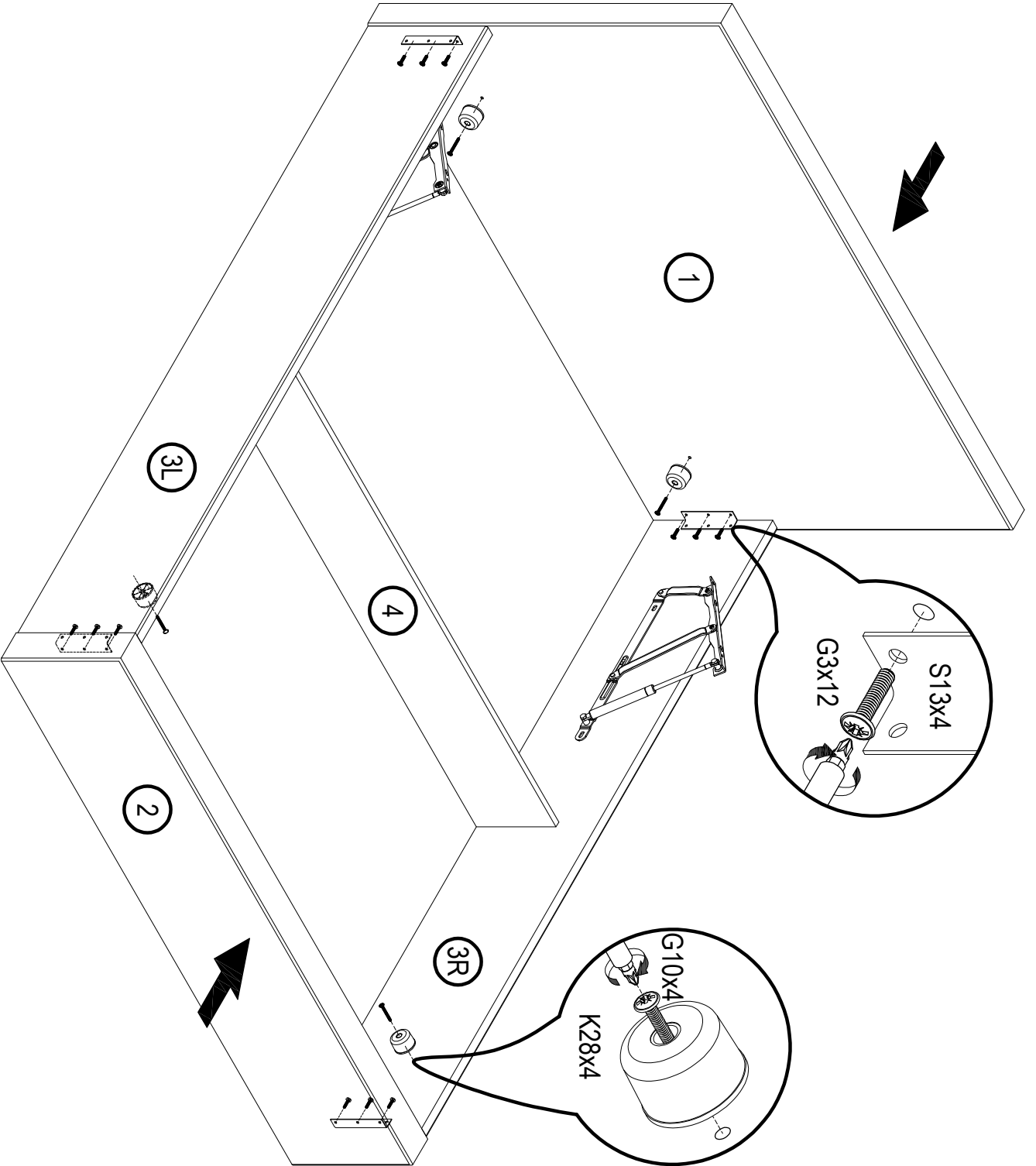
| N° | a*b | X |
|----|---------------------|---|
| 1 | 1690x1020(960,1220) | 1 |
| 2 | 1690x345 | 1 |
| 3R | 2035x345 | 1 |
| 3L | 2035x345 | 1 |
| 4 | 1620x230 | 1 |
| 5 | 1660x1020 | 2 |







3



4

