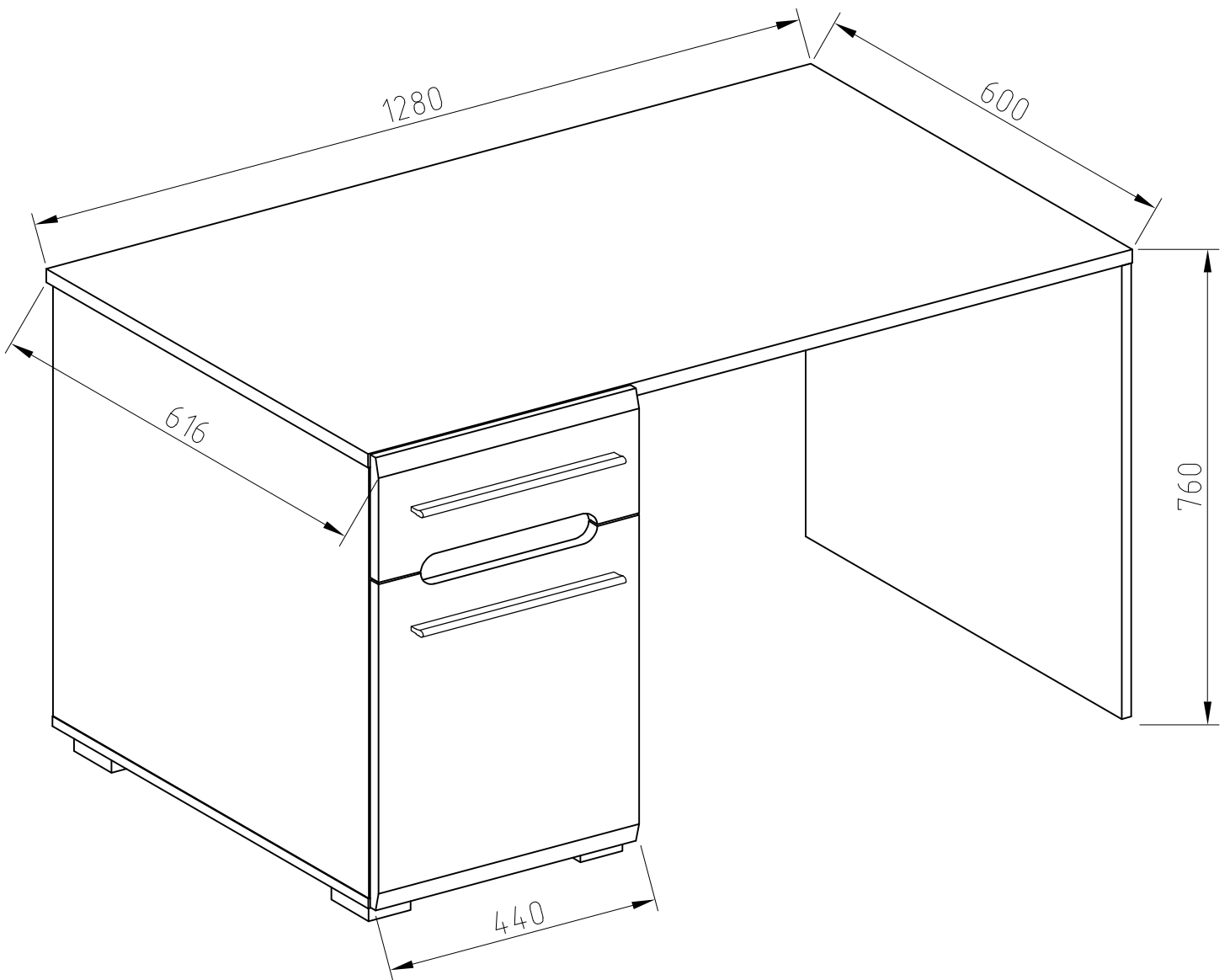
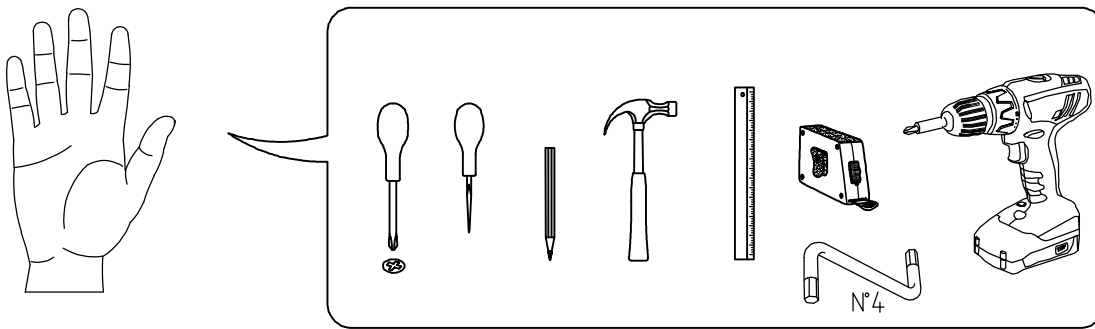



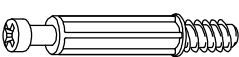
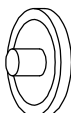







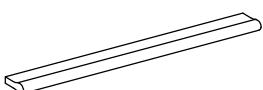
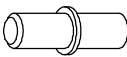
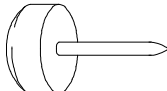
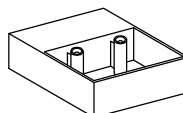
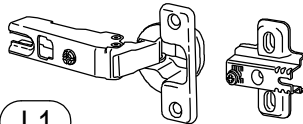
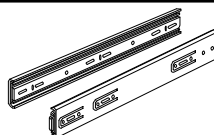


# **BYANKO**

## **DESK**



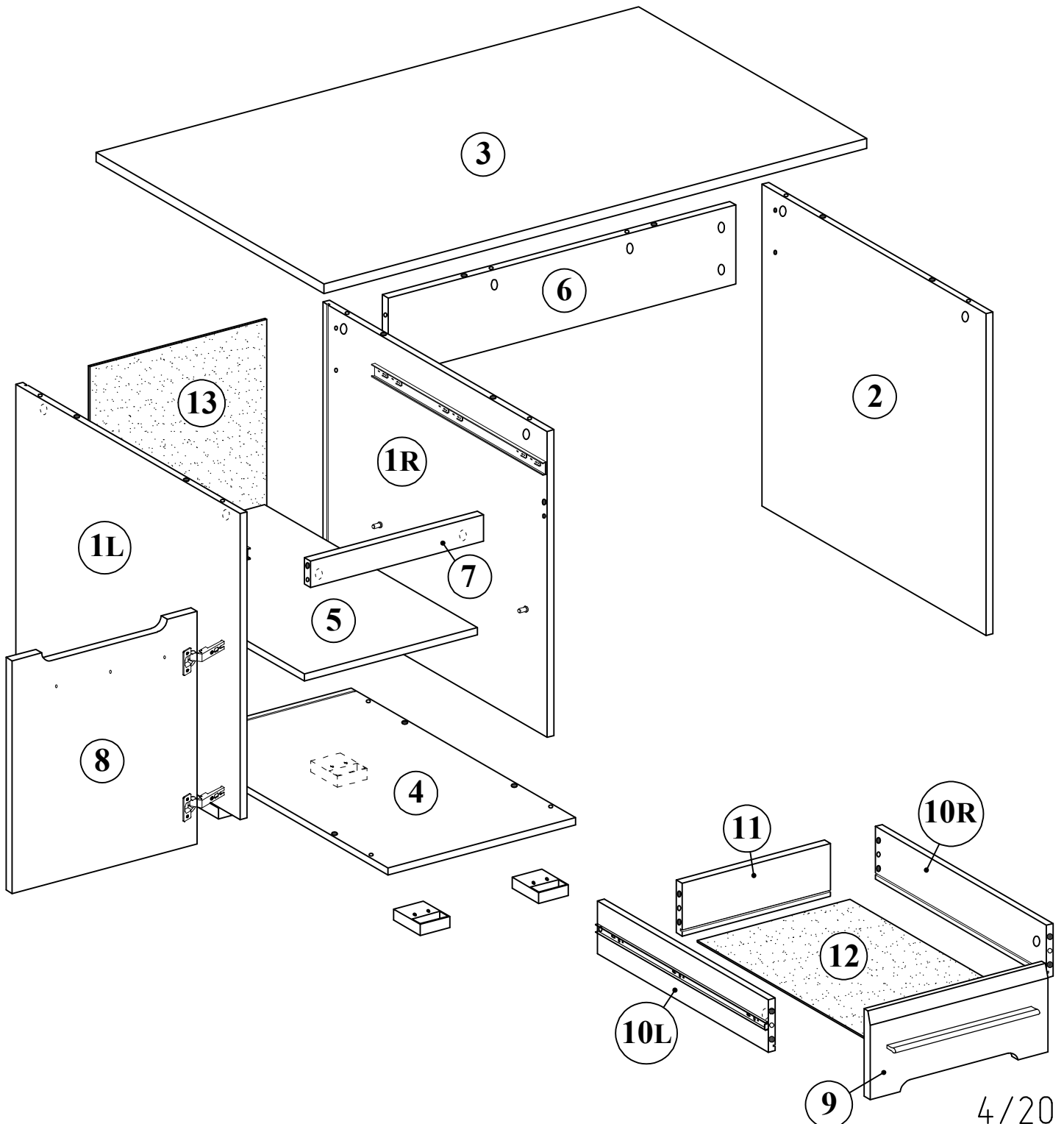
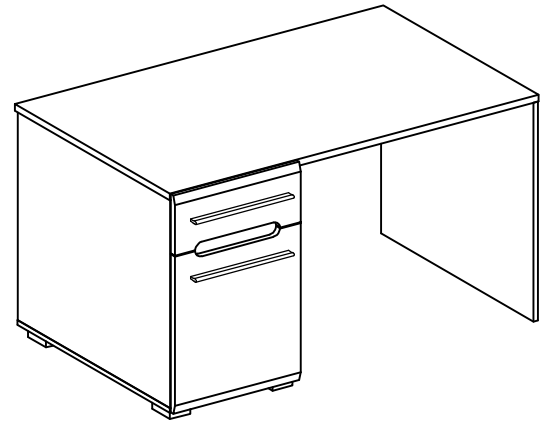


 <b>A1</b> 8*30mm x26	 <b>B</b> x8	 <b>B1</b> 6,3*50mm x8
 <b>C1</b> 5*30mm x14	 <b>D</b> x14	 <b>D1</b> 16mm x14
 <b>E4</b> 3,5*16mm x8	 <b>E8</b> 3,5*27mm x6	 <b>E9</b> 4*16mm x4
 <b>E11</b> 4*35mm x8	 <b>F5</b> 6,3*13mm x4	 <b>H2</b> x10
 <b>I9</b> x2	 <b>J1</b> 5*16mm x4	 <b>K1</b> x3
 <b>K4</b> x4	 <b>L1</b> x2	 <b>M2</b> L-450mm x1

<b>№</b>	<b>a*b</b>	<b>x</b>	<b>№→...</b>
1L	697x590	x1	
1R	697x590	x1	
2	733x590	x1	
3	1280x600	x1	
4	442x590	x1	
5	407x530	x1	
6	820x180	x1	
7	408x60	x1	
8	530x436	x1	
9	436x199	x1	
10L	450x120	x1	
10R	450x120	x1	
11	350x120	x1	
12	359x443	x1	
13	706x417	x1	


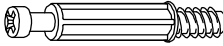



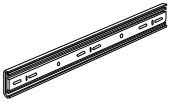
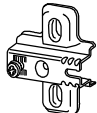
# BYANKO

## DESK

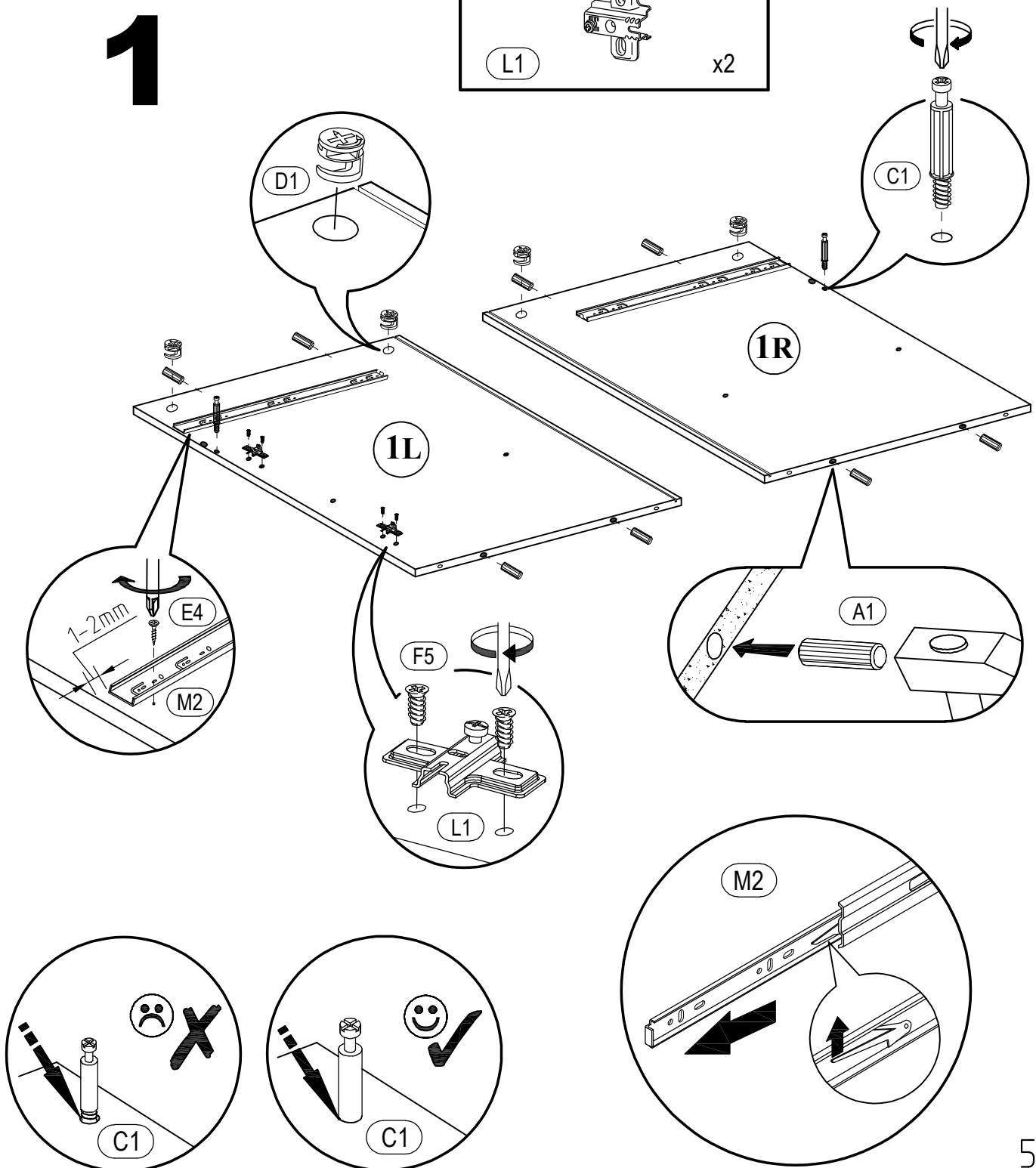


# BYANKO

## DESK



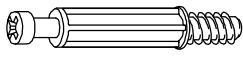


 A1 8*30mm x8	 C1 5*30mm x2	 D1 16mm x4
 E4 3,5*16mm x4	 F5 6,3*13mm x4	 M2 L-450mm x1
	 L1 x2	

# 1

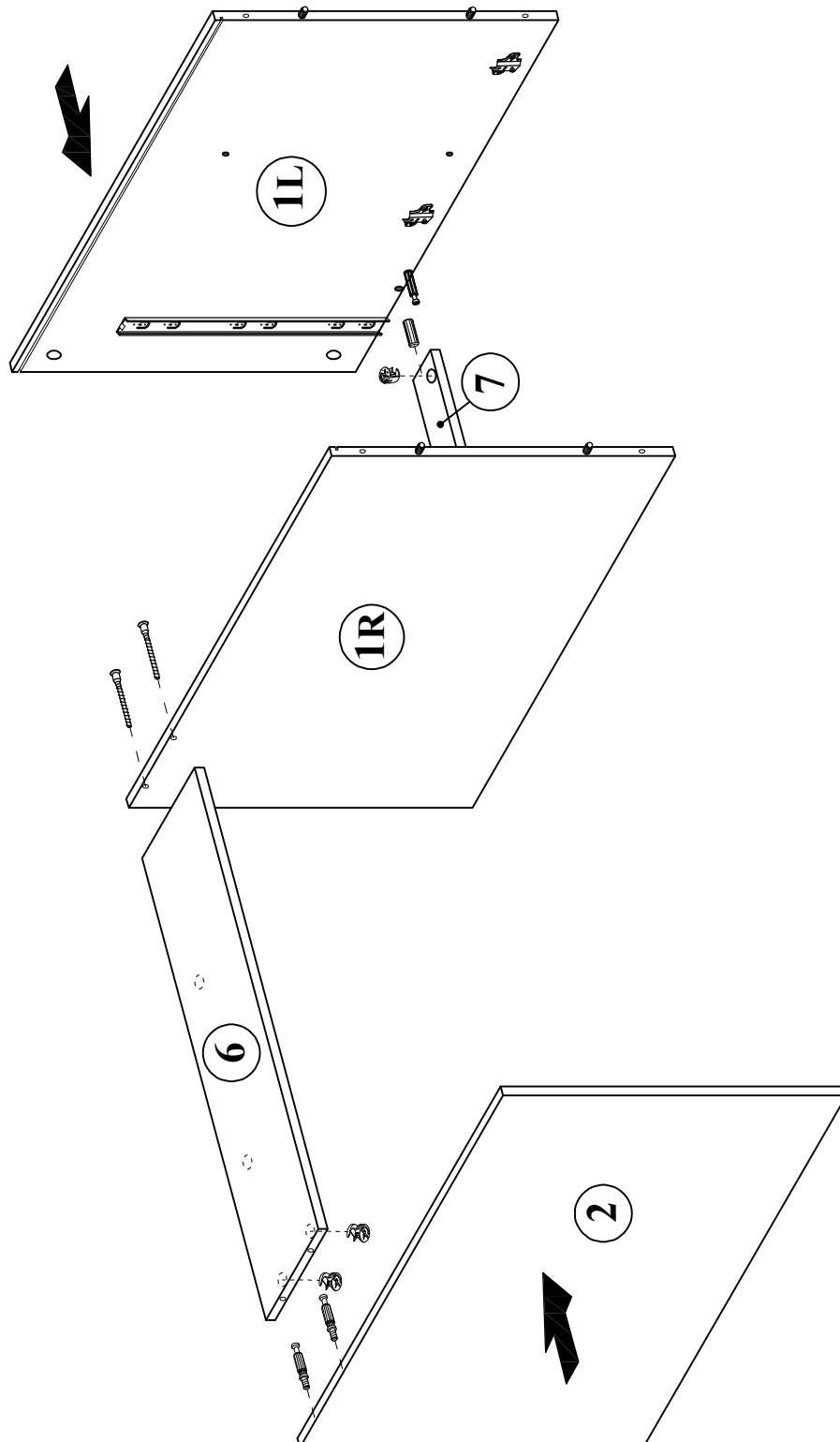


# BYANKO

## DESK


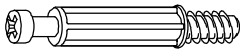

 A1 8*30mm x2	 B1 6,3*50mm x2	 C1 5*30mm x2
	 D1 16mm x4	 R4 N°4

# 2

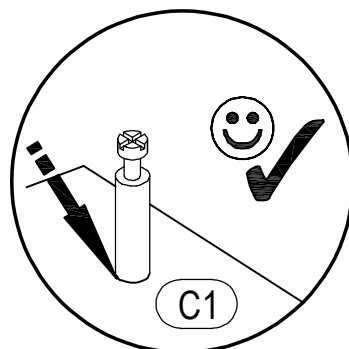
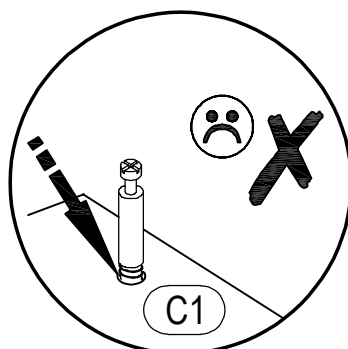
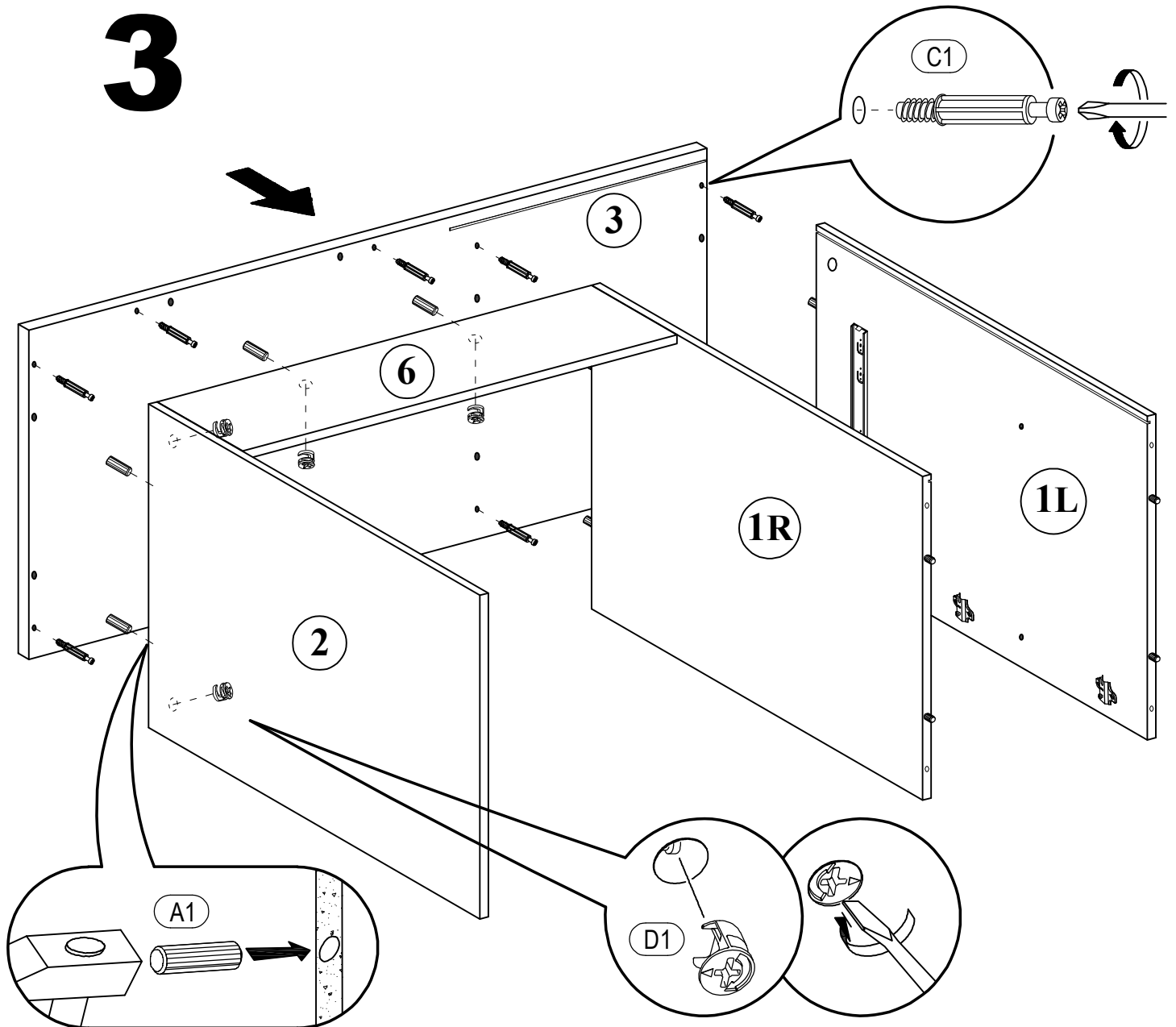


# BYANKO

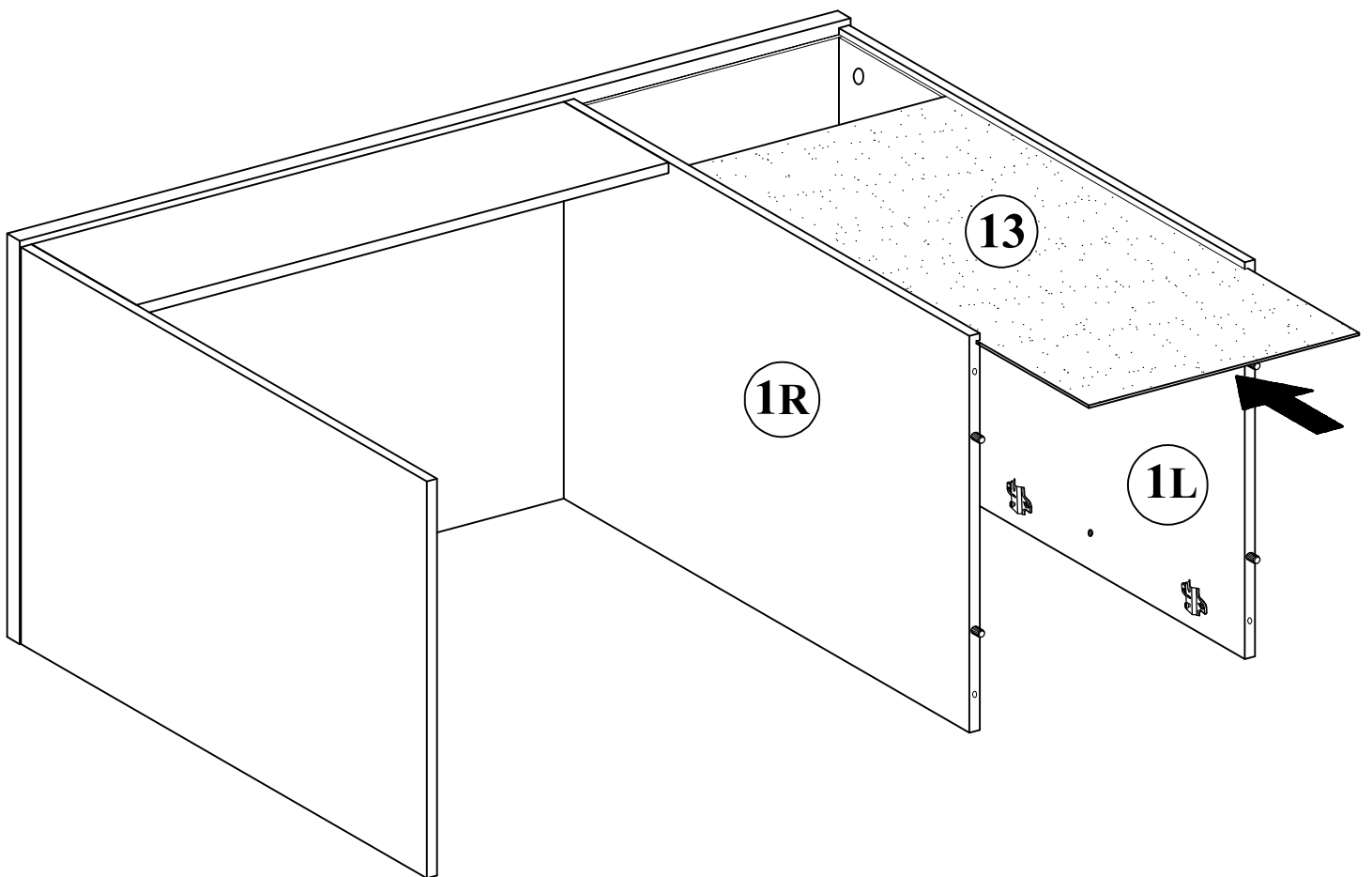
## DESK

 A1 8*30mm x4	 C1 5*30mm x8	 D1 16mm x4
---	---	---

# 3

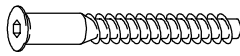
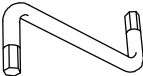


**4**

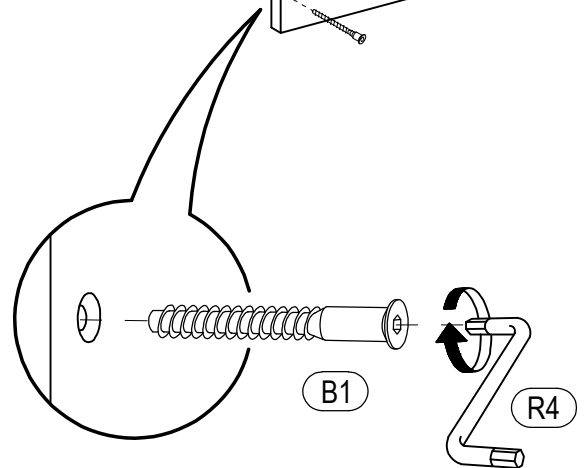
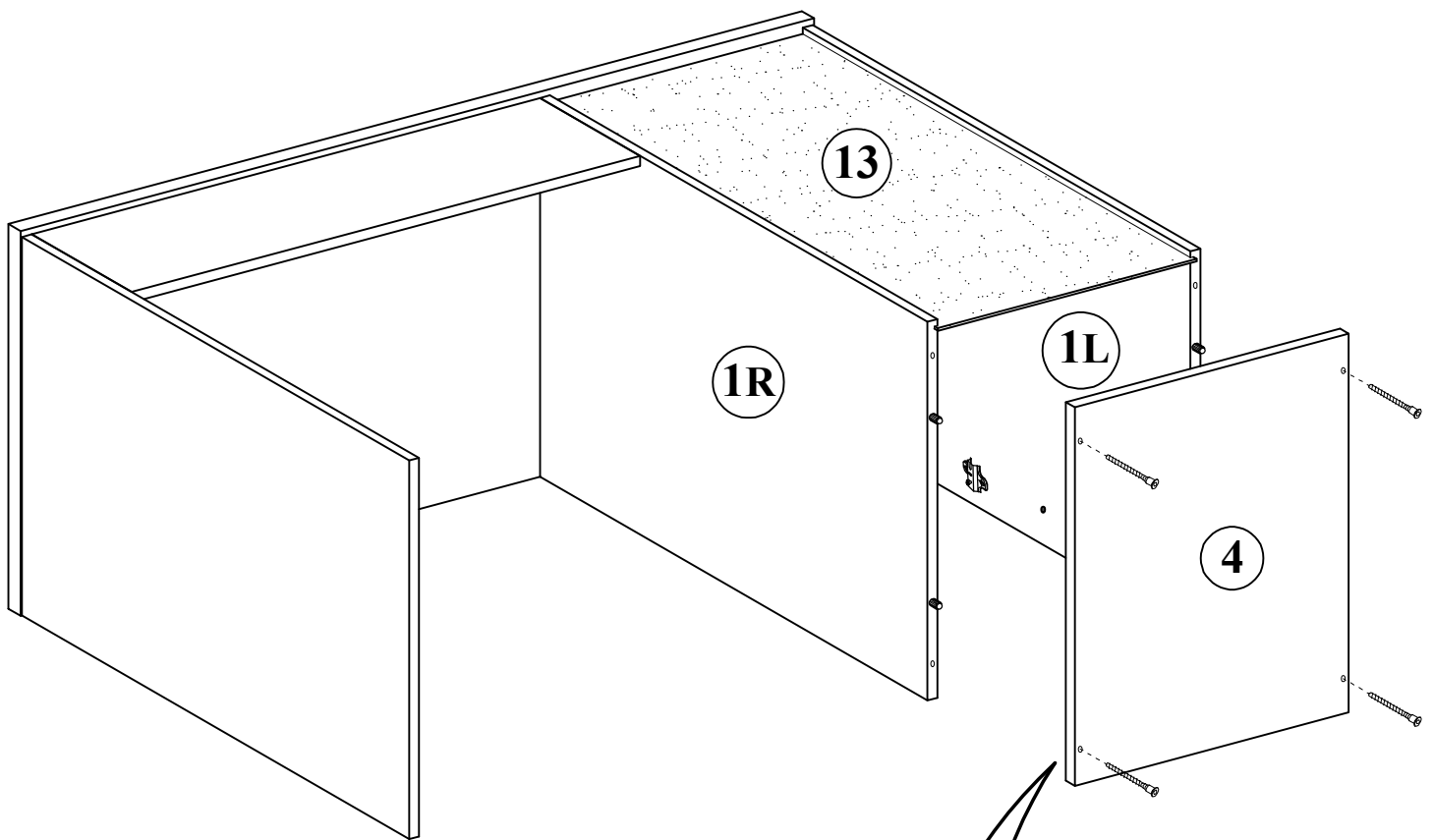




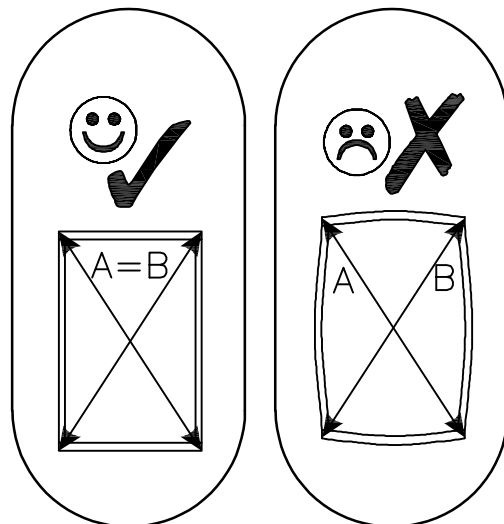
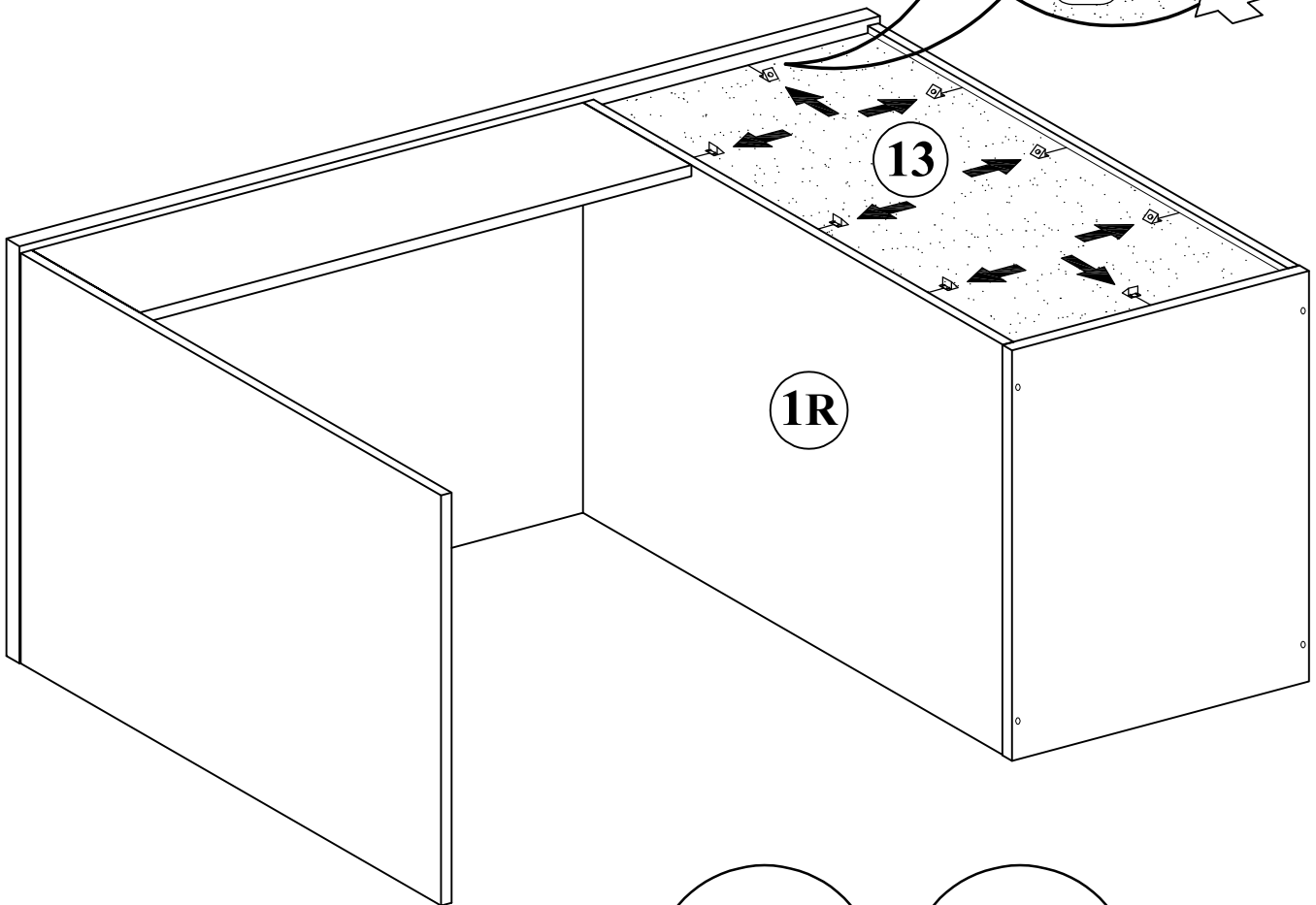
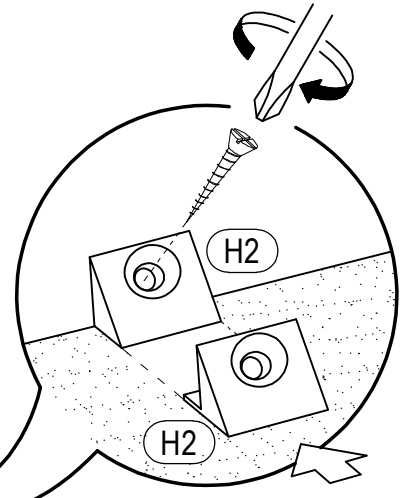
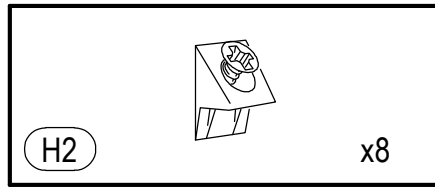
**BYANKO**  
**DESK**

 B1 6,3*50mm x2	 R4 N°4
---	---

**5**

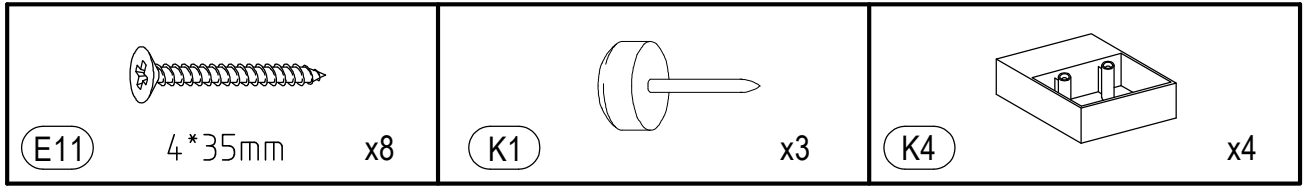


**6**

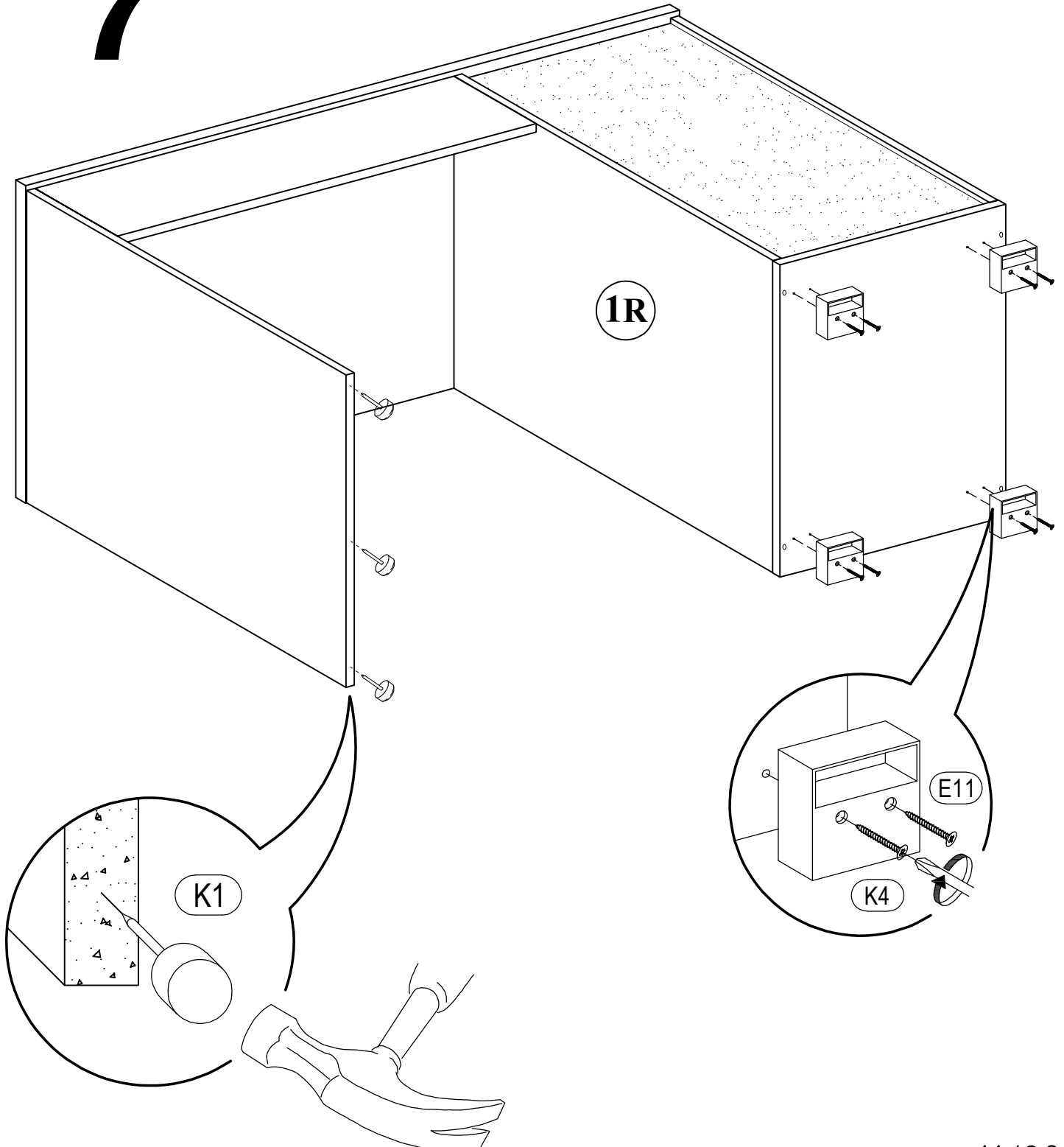


# BYANKO

## DESK

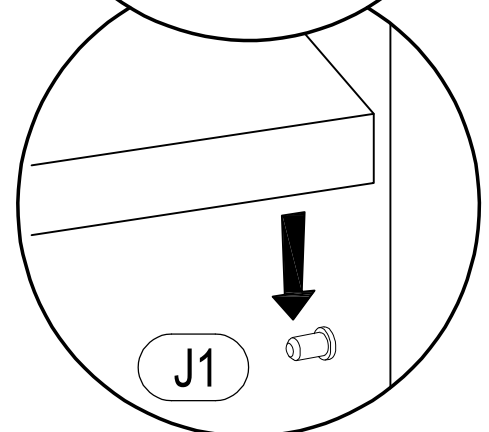
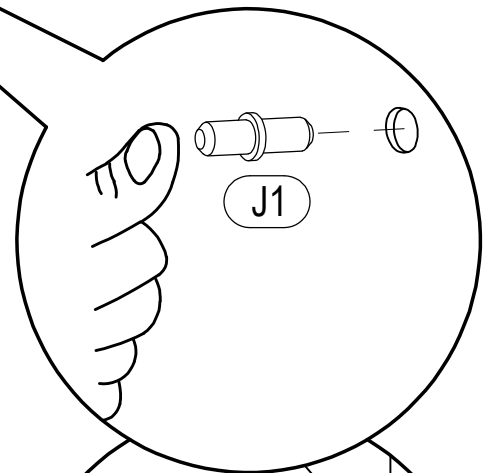
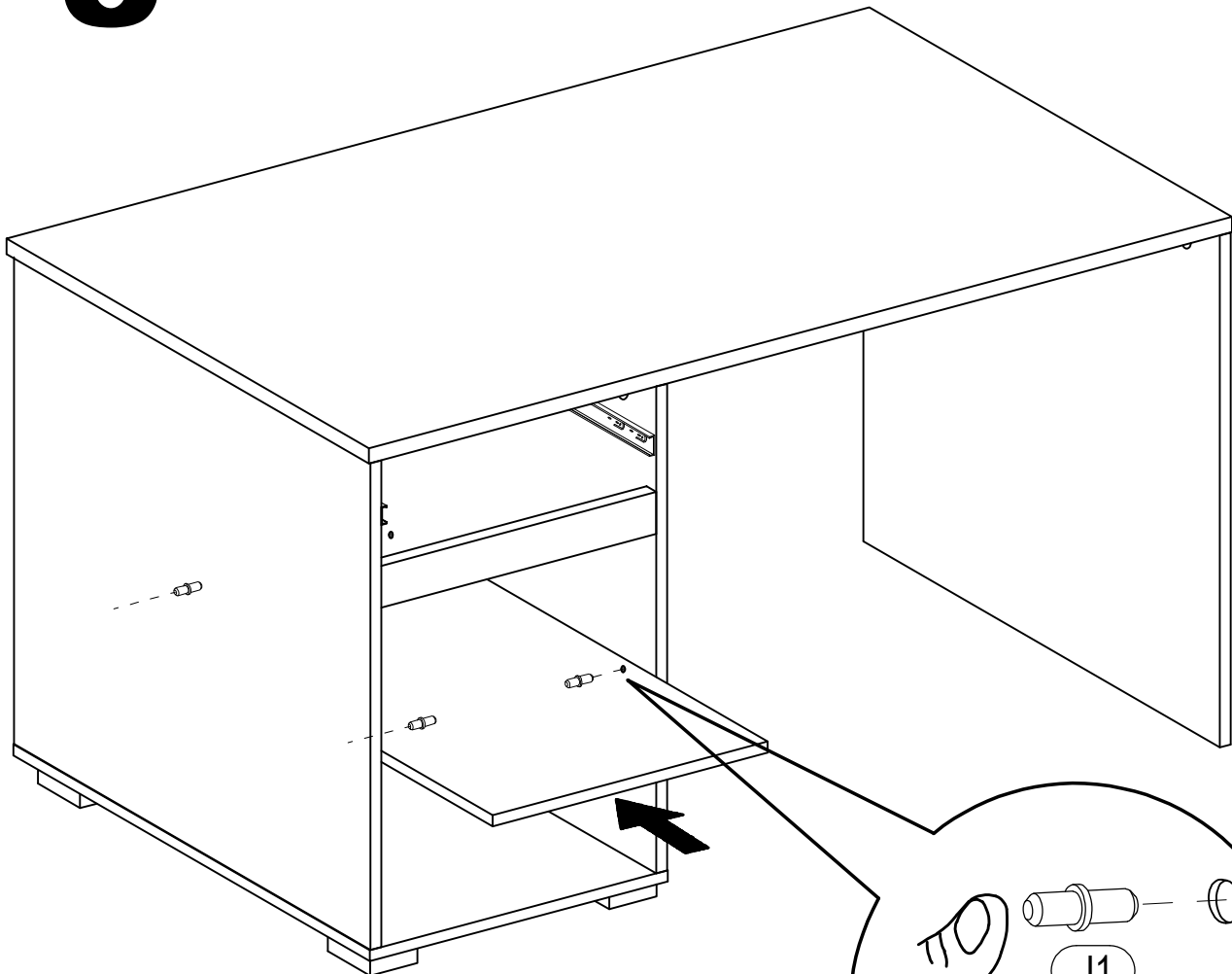
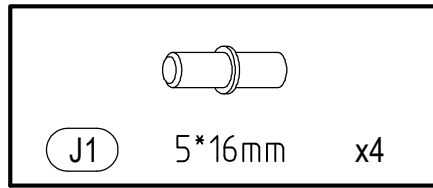


# 7





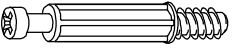
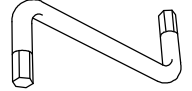
**BYANKO**  
**DESK**

**8**



# BYANKO

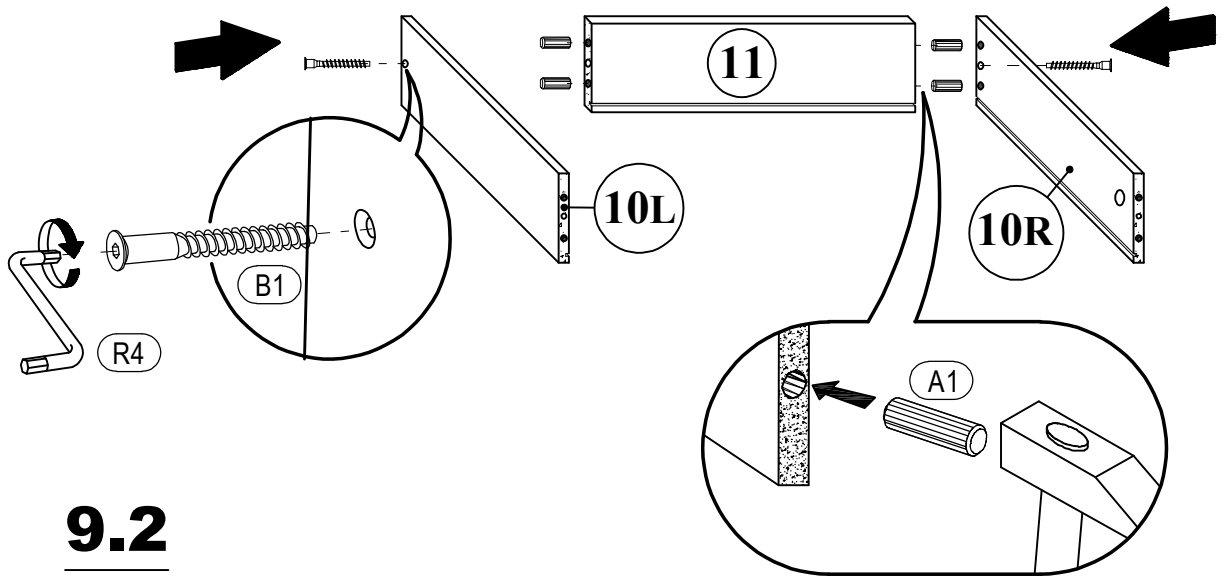
## DESK

 <p>A1 8*30mm x4</p>	 <p>B1 6,3*50mm x2</p>	 <p>C1 5*30mm x2</p>
		 <p>R4 N°4</p>

# 9

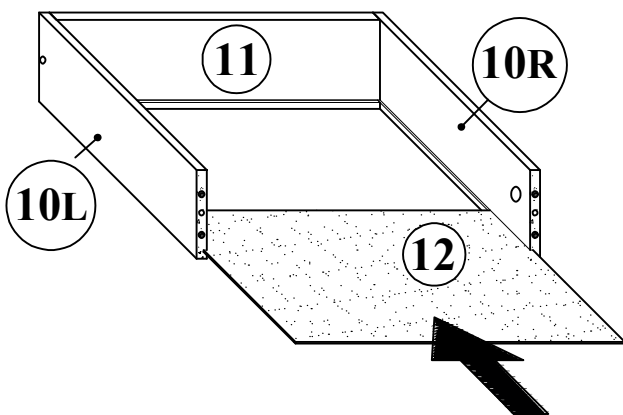
## 9.1

### x1



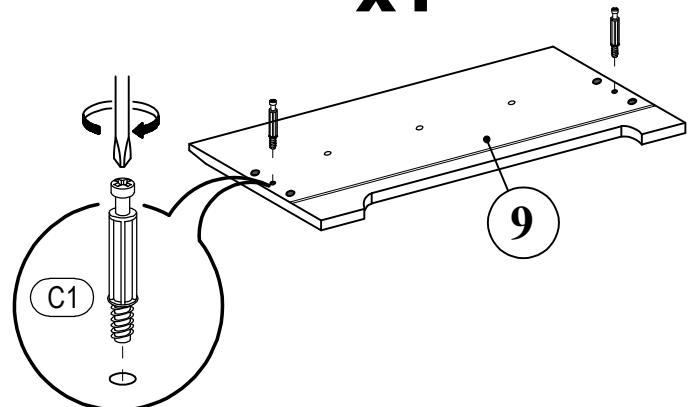
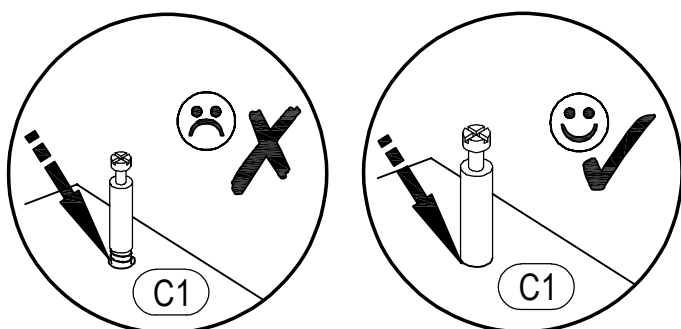
## 9.2

### x1




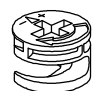

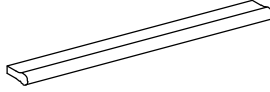
## 9.3

### x1



# BYANKO

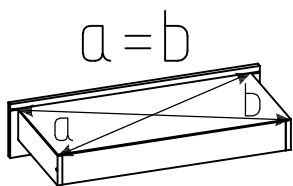
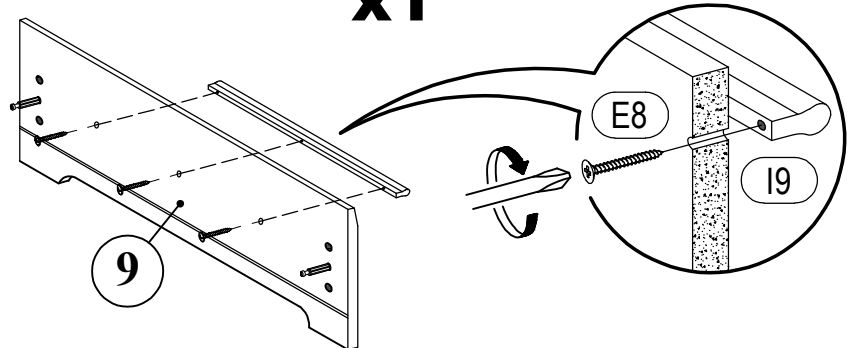
## DESK

 <b>(A1)</b> 8*30mm x4	 <b>(D1)</b> 16mm x2	 <b>(E8)</b> 3,5*27mm x3
		 <b>(I9)</b> x1

# 9

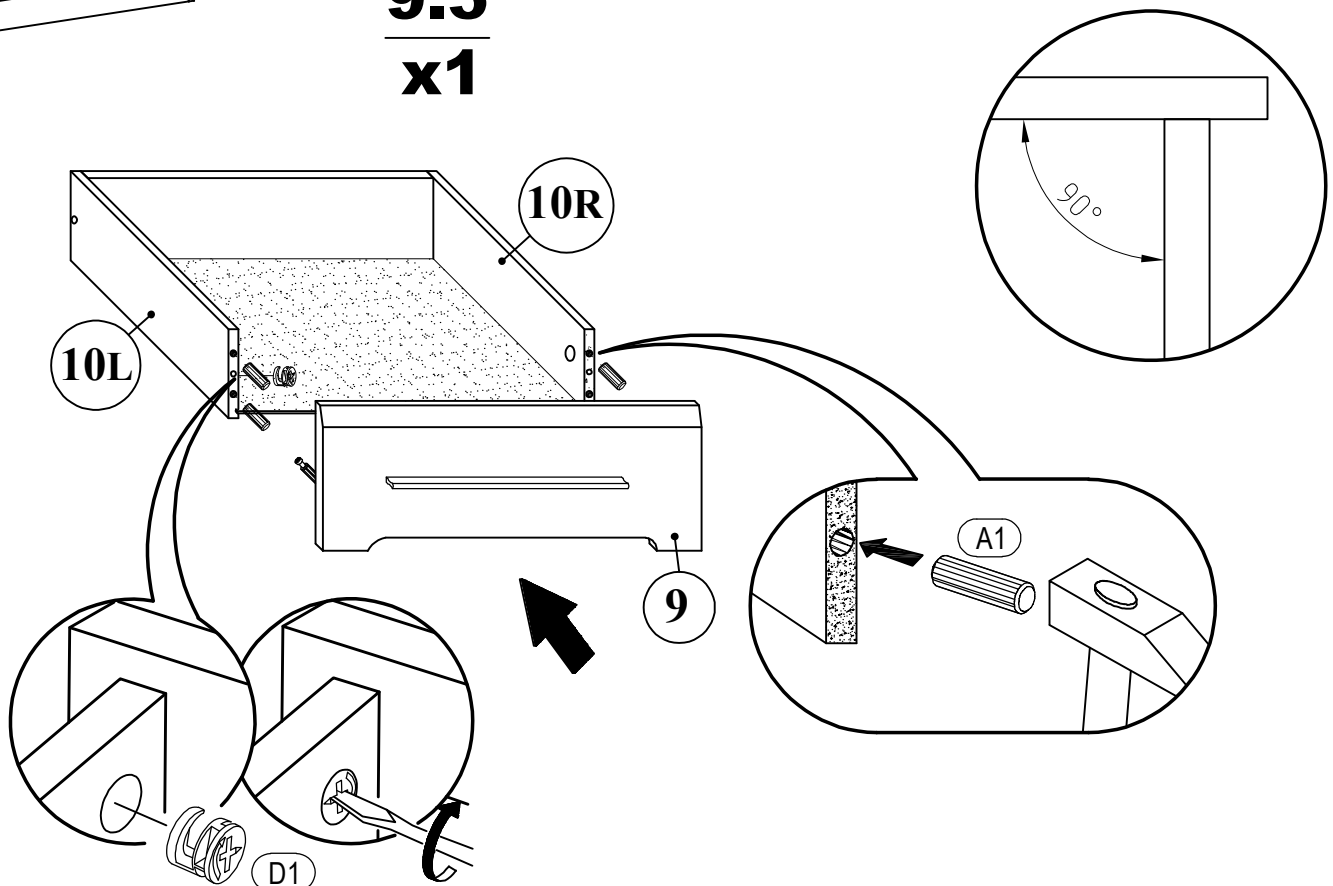
### 9.4



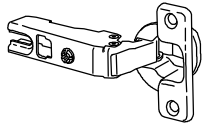
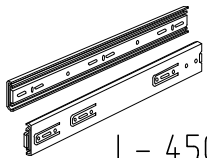
#### x1



### 9.5

#### x1



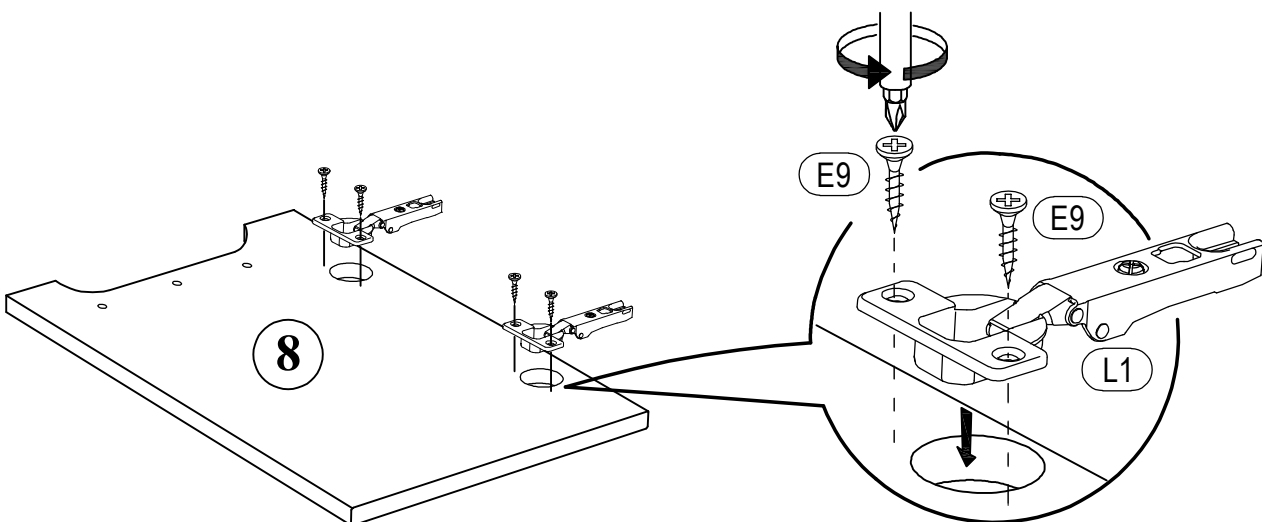
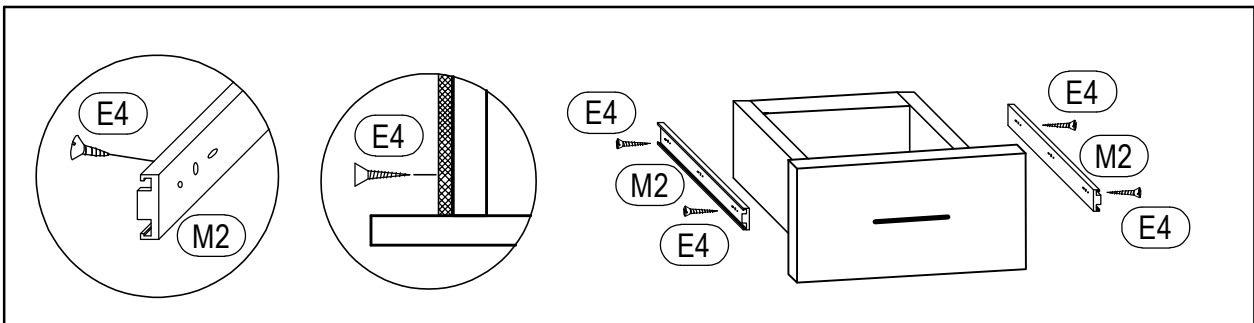
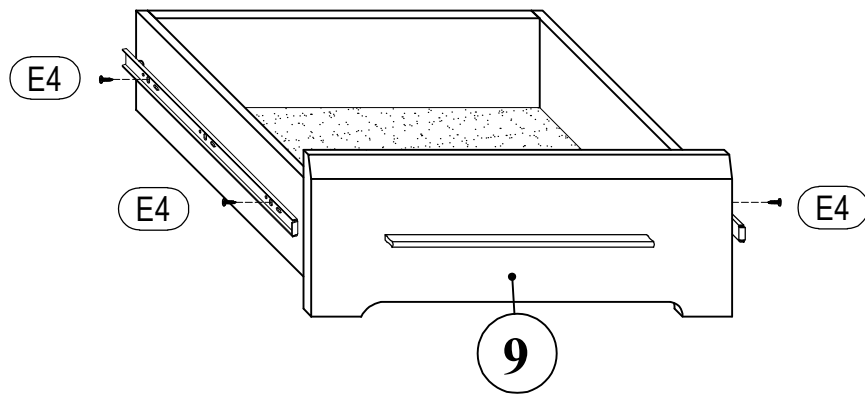
 E4 3,5*16mm x4	 E9 4*16mm x4	 L1 x2
		 M2 L-450 x1

# 9

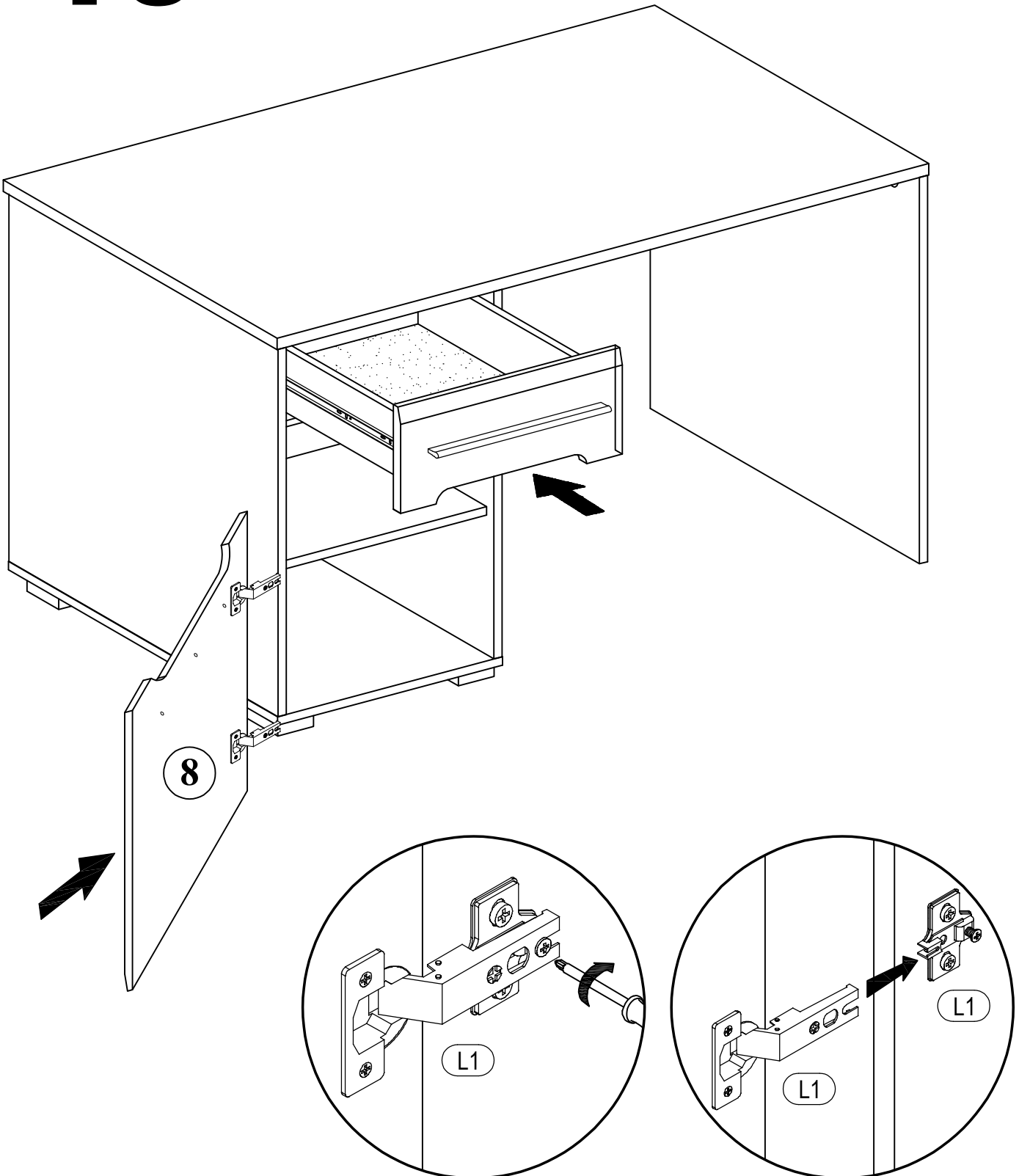
# 9.6

---


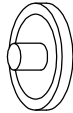

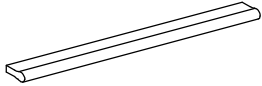
# x1



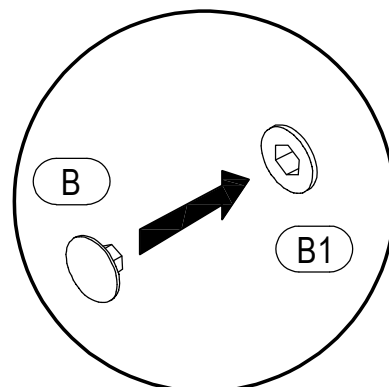
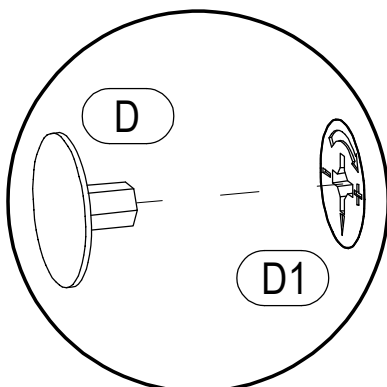
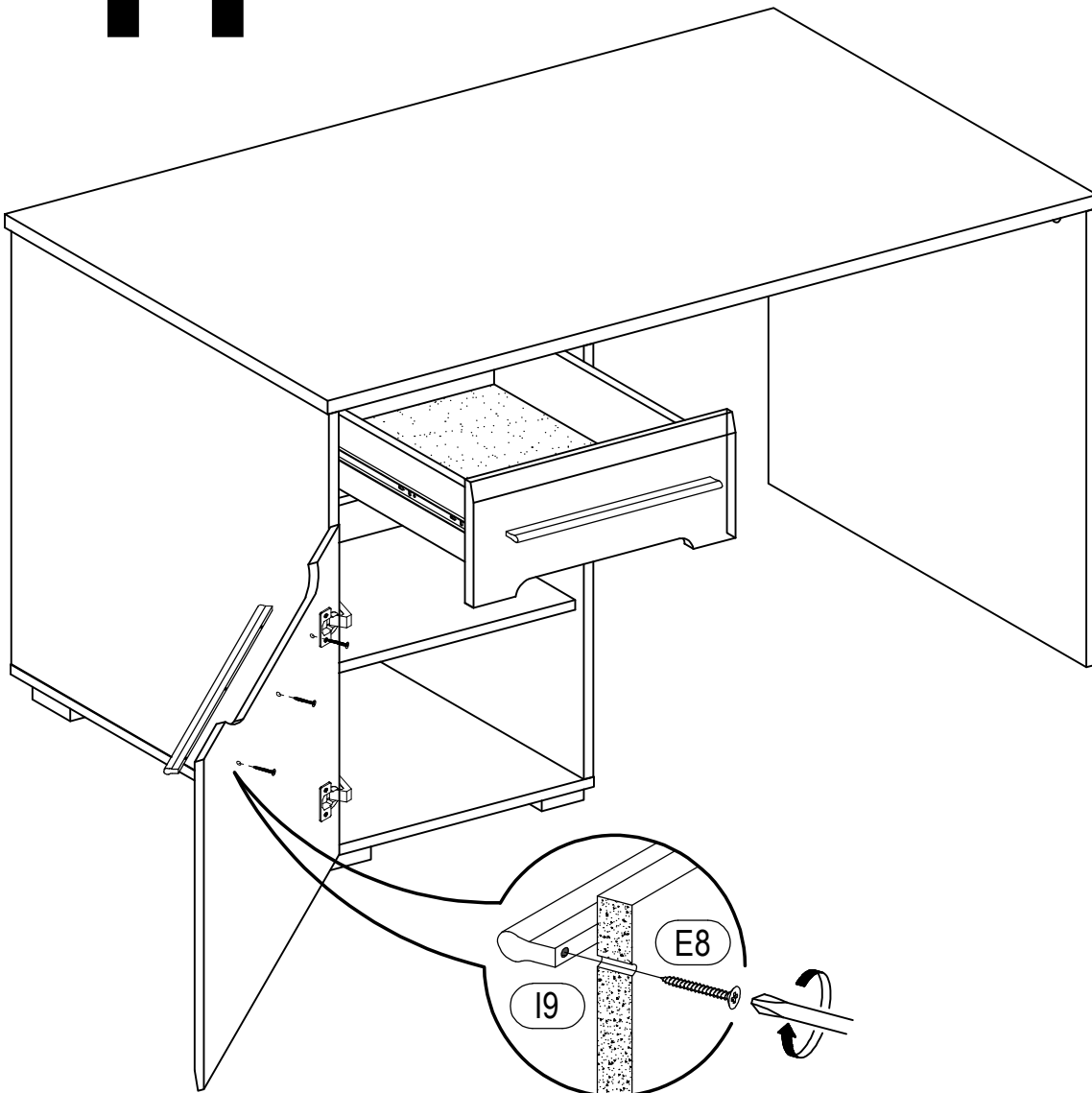
# 10



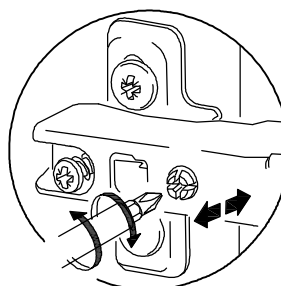
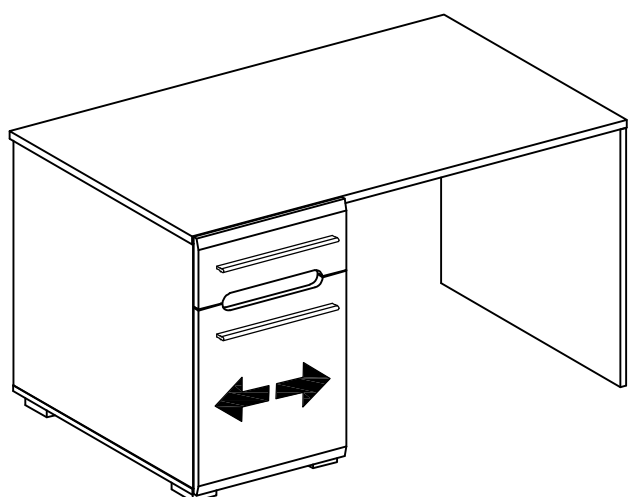
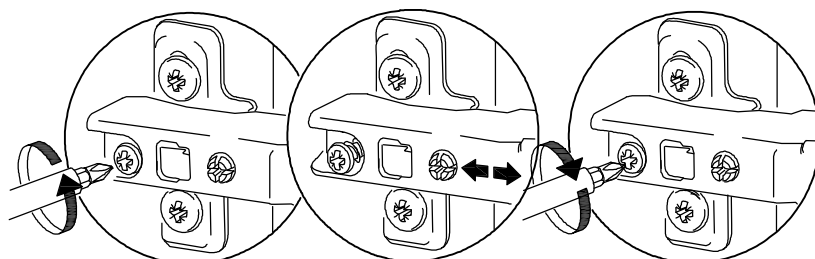
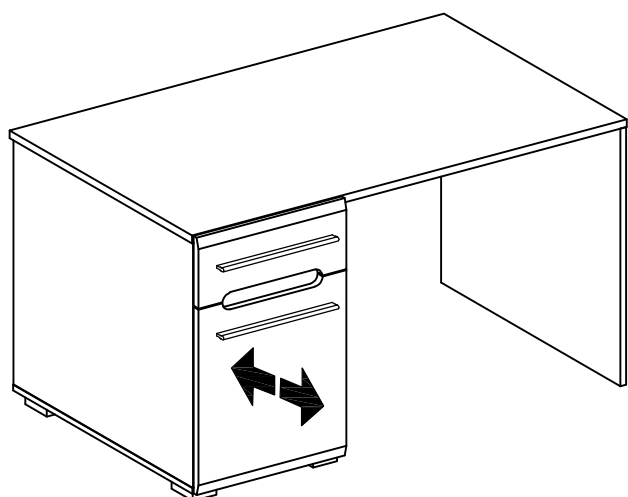
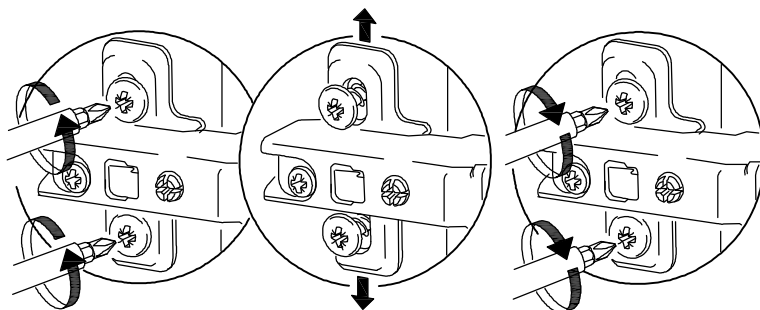
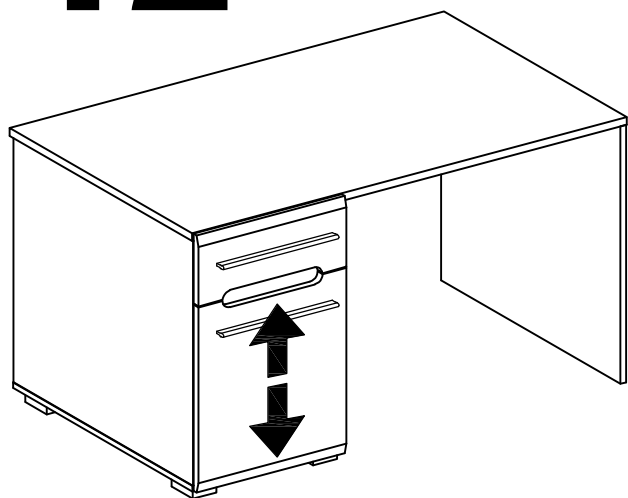


 B	x8	 D	x14	 E8 3,5*27mm	x3
				 I9	x1

# 11



# 12



# BYANKO

## DESK

