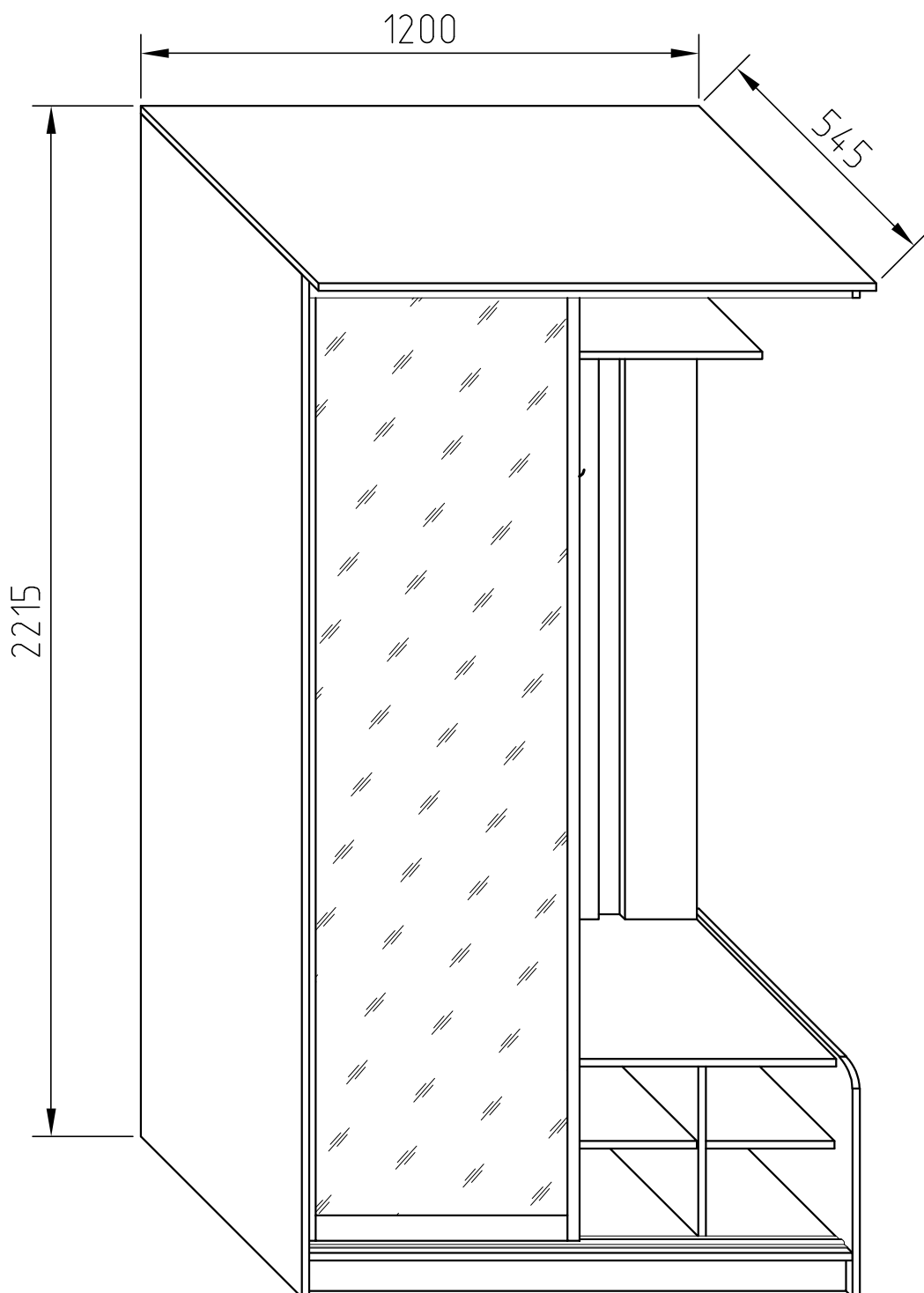
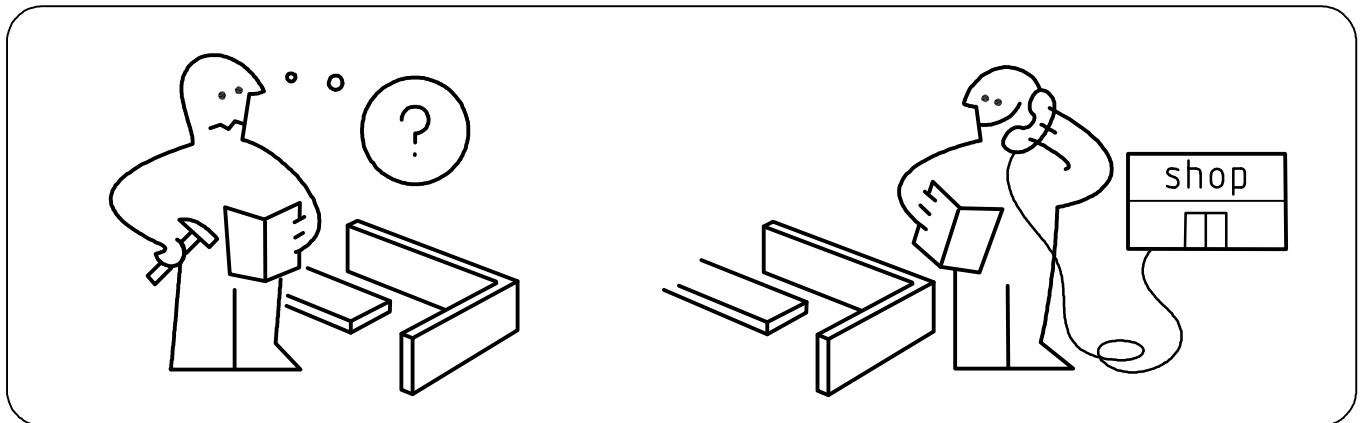
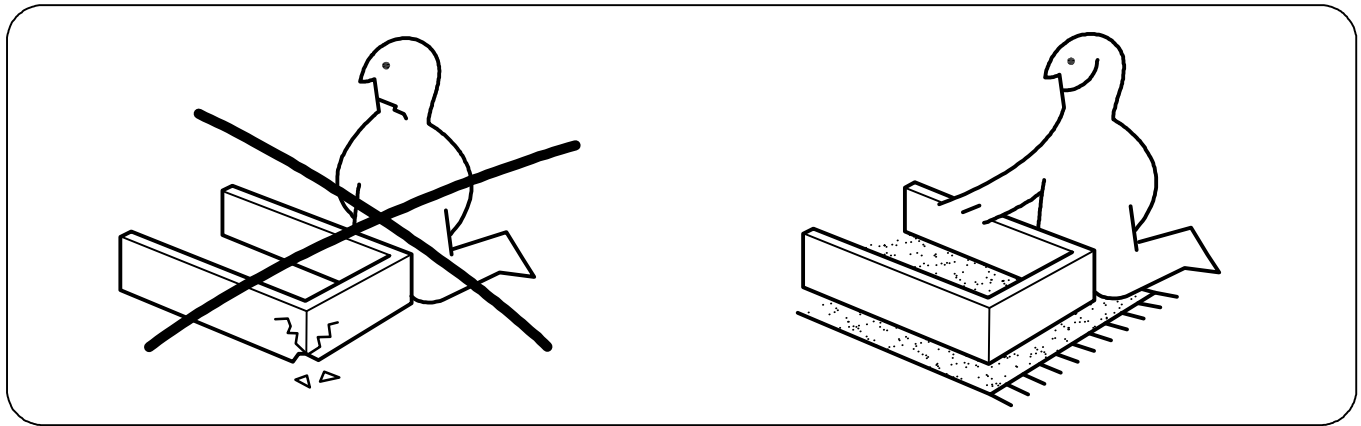
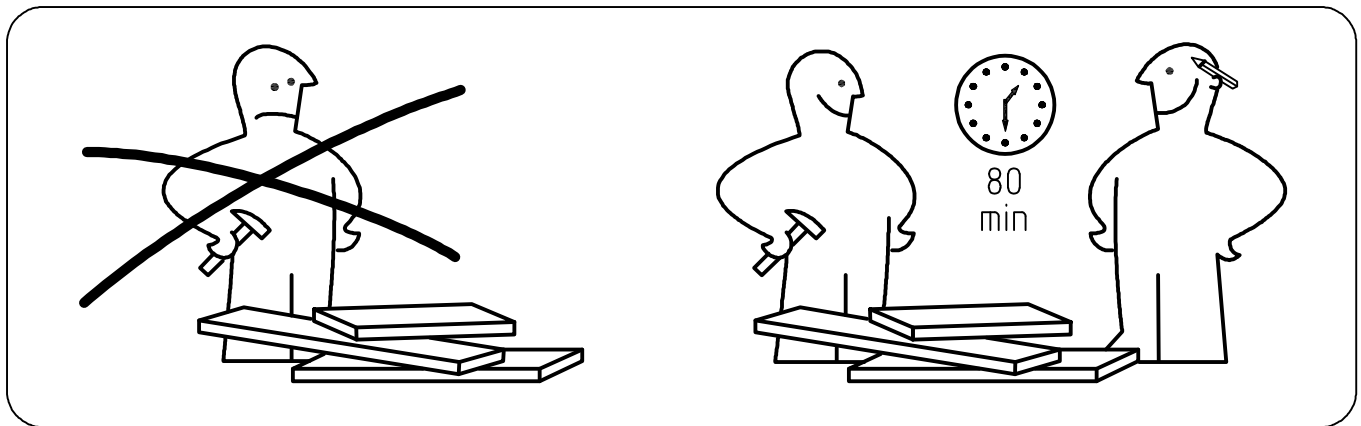
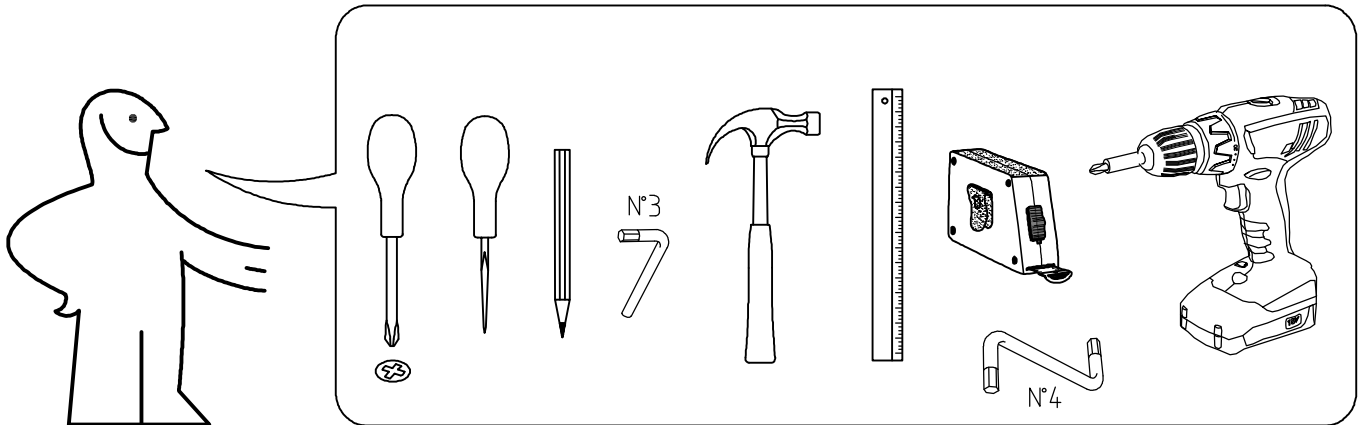



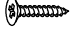
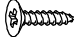

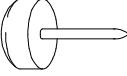
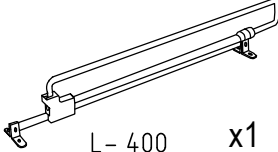
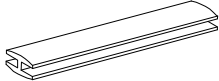
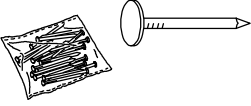
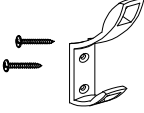
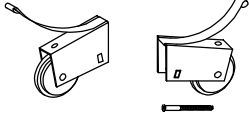

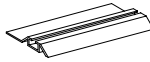
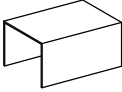



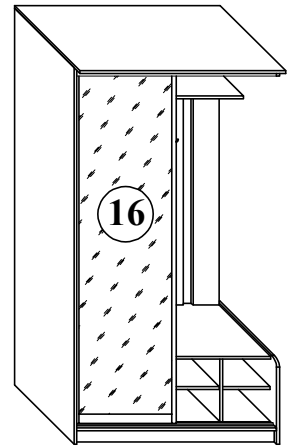
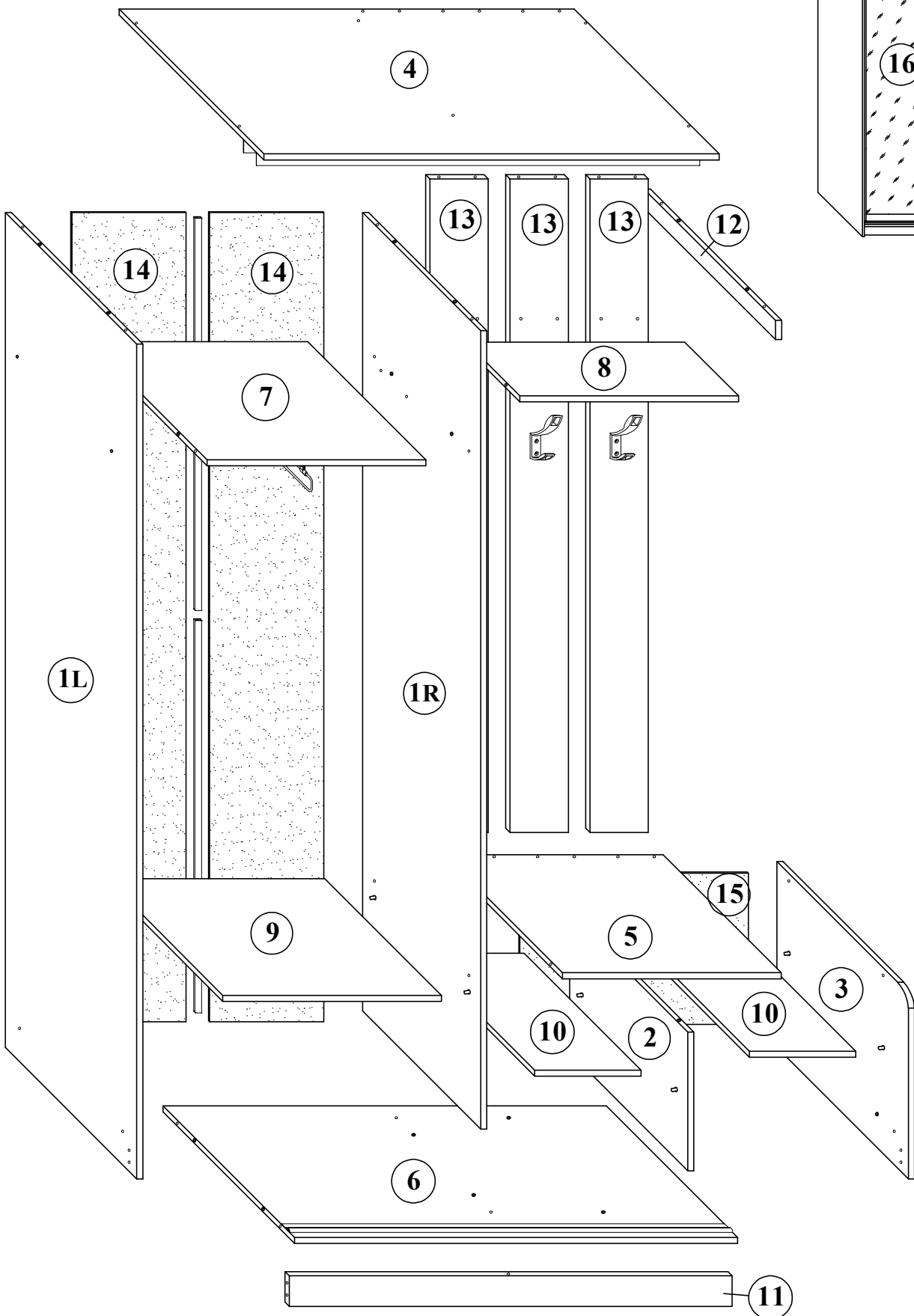
VISIT



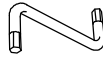




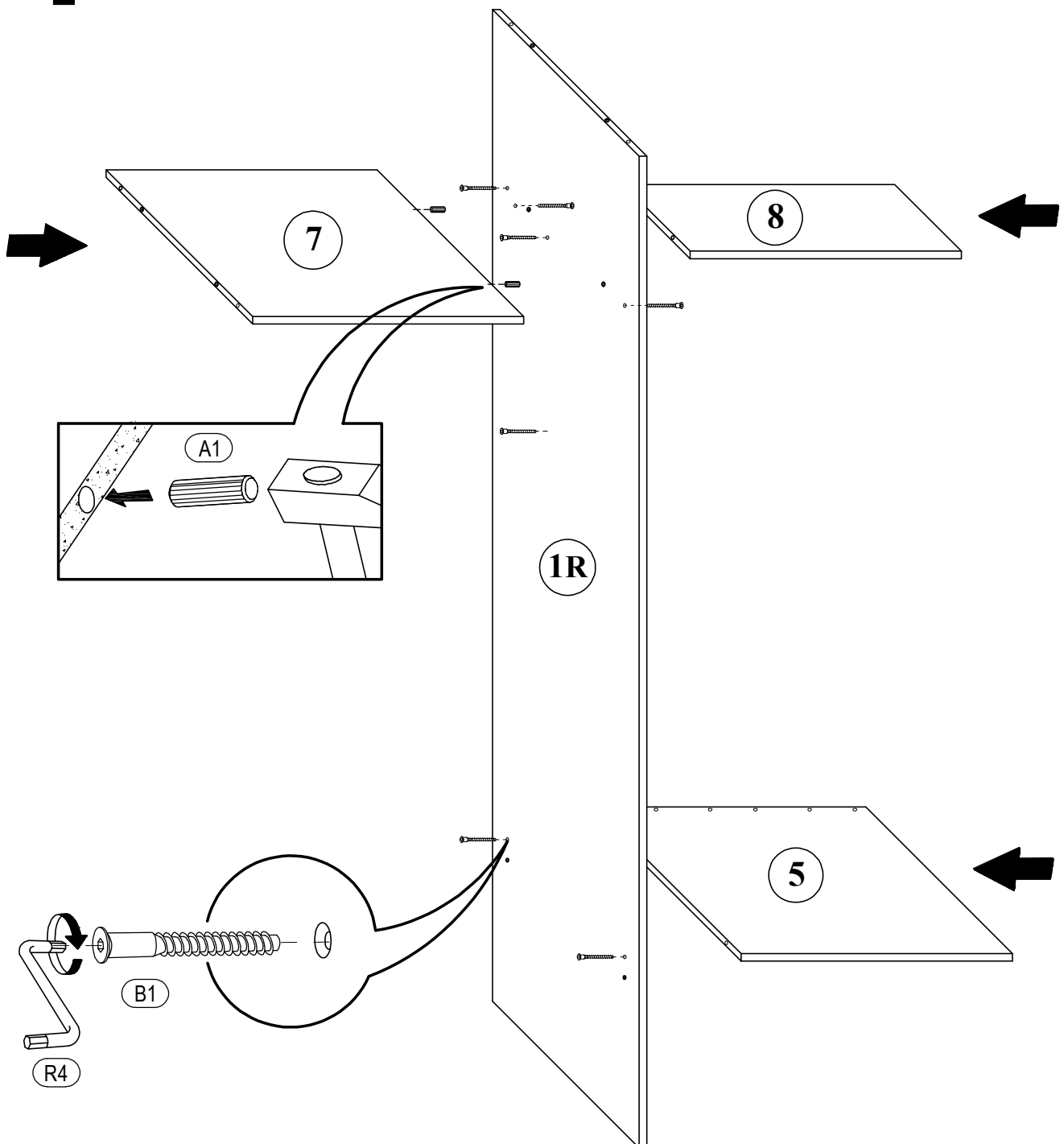
 A1 8*30mm x20	 B x25	 B1 6,3*50mm x48
 E3 3*15mm x10	 E9 4*16mm x4	 J1 5*16mm x12
 K1 x5	 N6 L- 400 x1	 P4 L-1050 x2
 R3 1.4*25mm 0.050kg	 X4 DW08 x3	 W1 x1
 W3 x1	 W4 L- 1165 mm x1	 W6 L- 1165 mm x1

No	a*b	x	N°→...	No	a*b	x	N°→...
1R	210x440	x1	2	10	279x435	x2	3
1L	2200x490	x1	2	11	80x1168	x1	1
2	366x440	x1	1	12	50x540	x1	1
3	490x490	x1	1	13	1722x154	x3	2
4	1200x540	x1	1	14	2132x298	x2	2
5	576x440	x1	3	15	394x598	x1	2
6	1168x490	x1	1	16	2064x593	x1	4
7	576x440	x1	3				
8	576x200	x1	3			x1	3
9	576x435	x1	3				

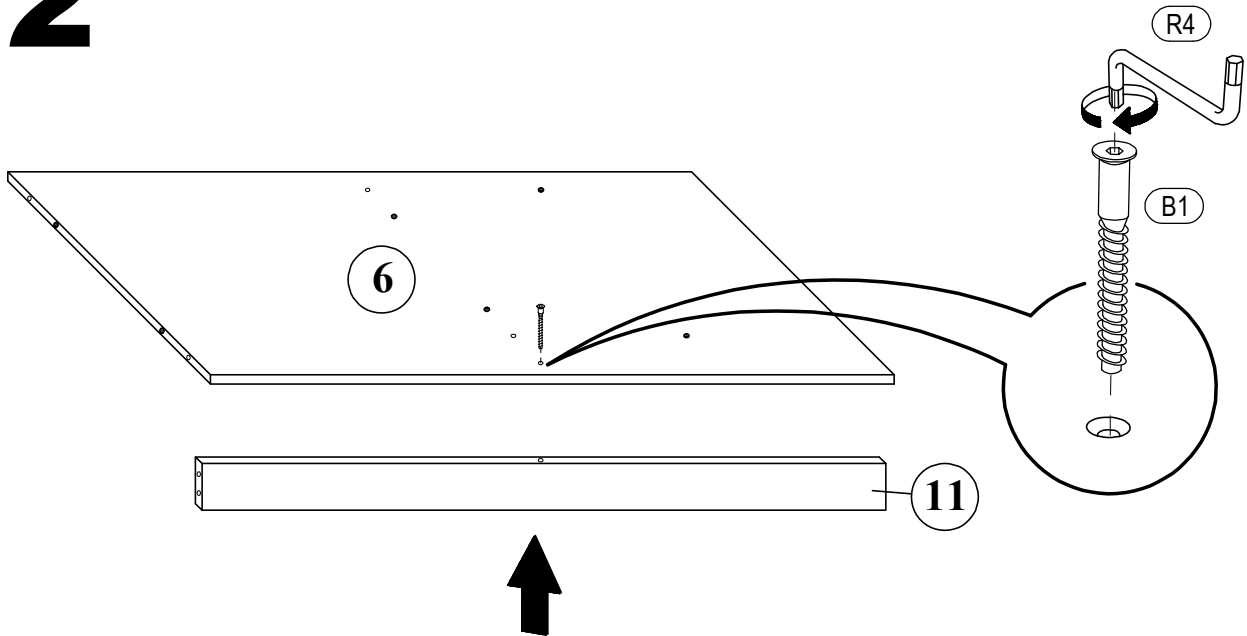
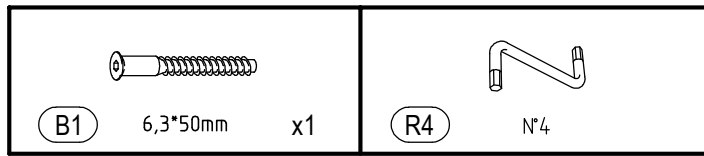


 (A1) 8*30mm x2	 (B1) 6,3*50mm x6	 (R4) N°4
---	---	---

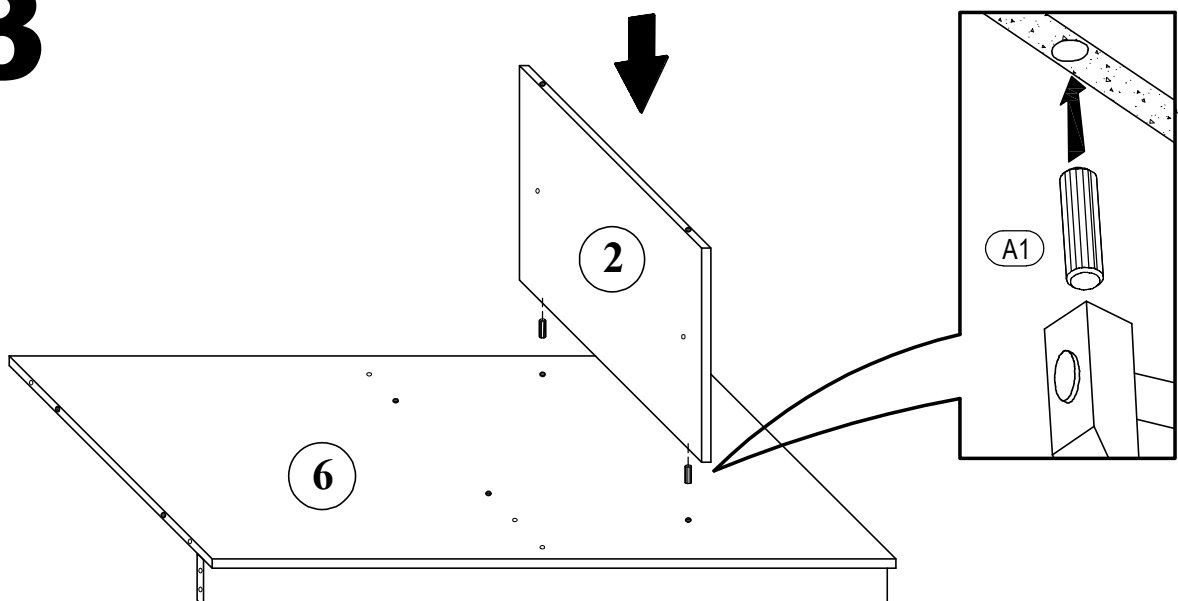
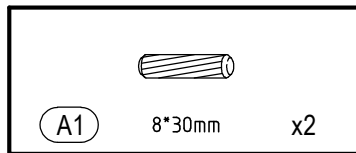
1


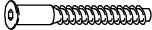
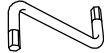


2

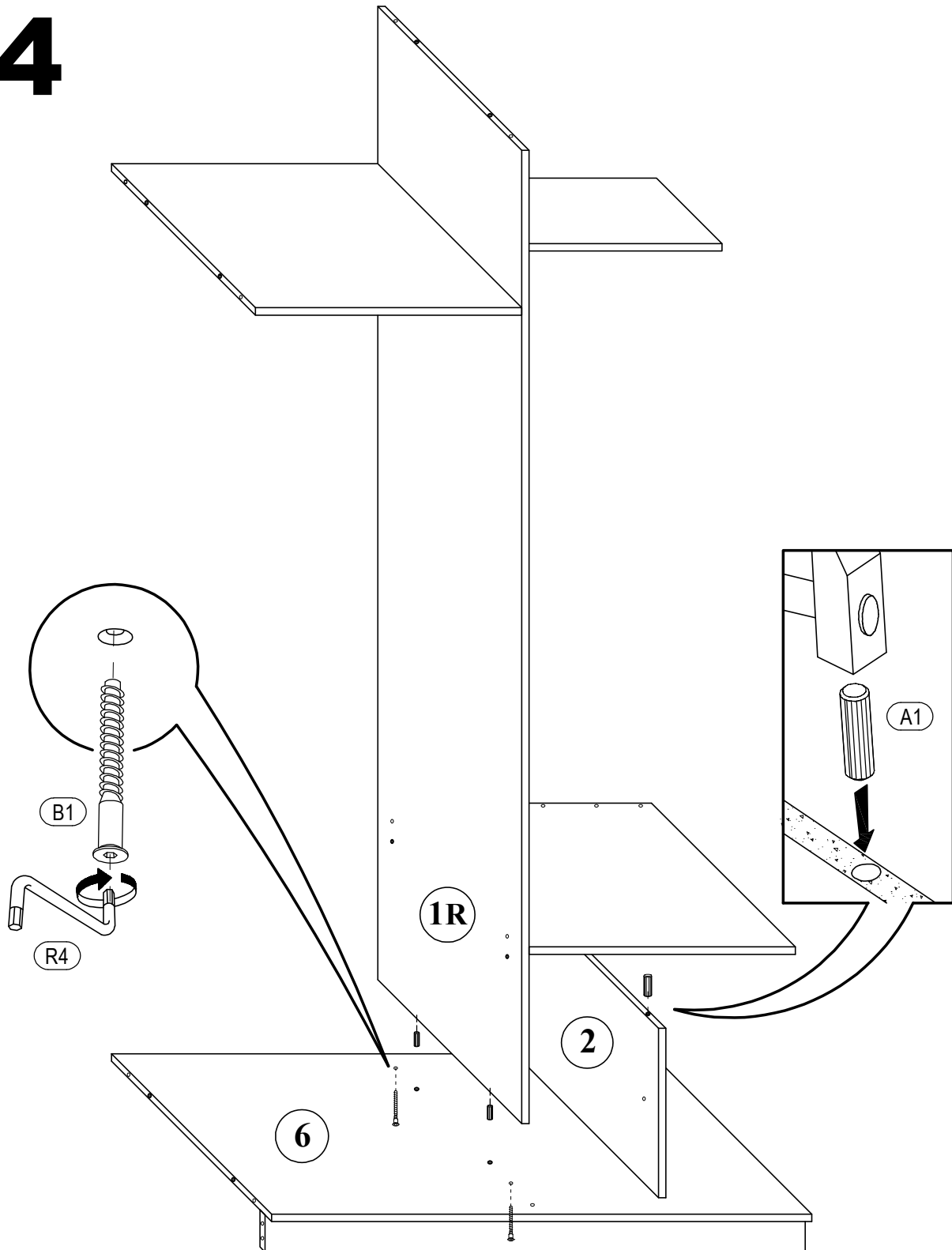



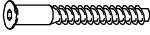
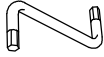
3



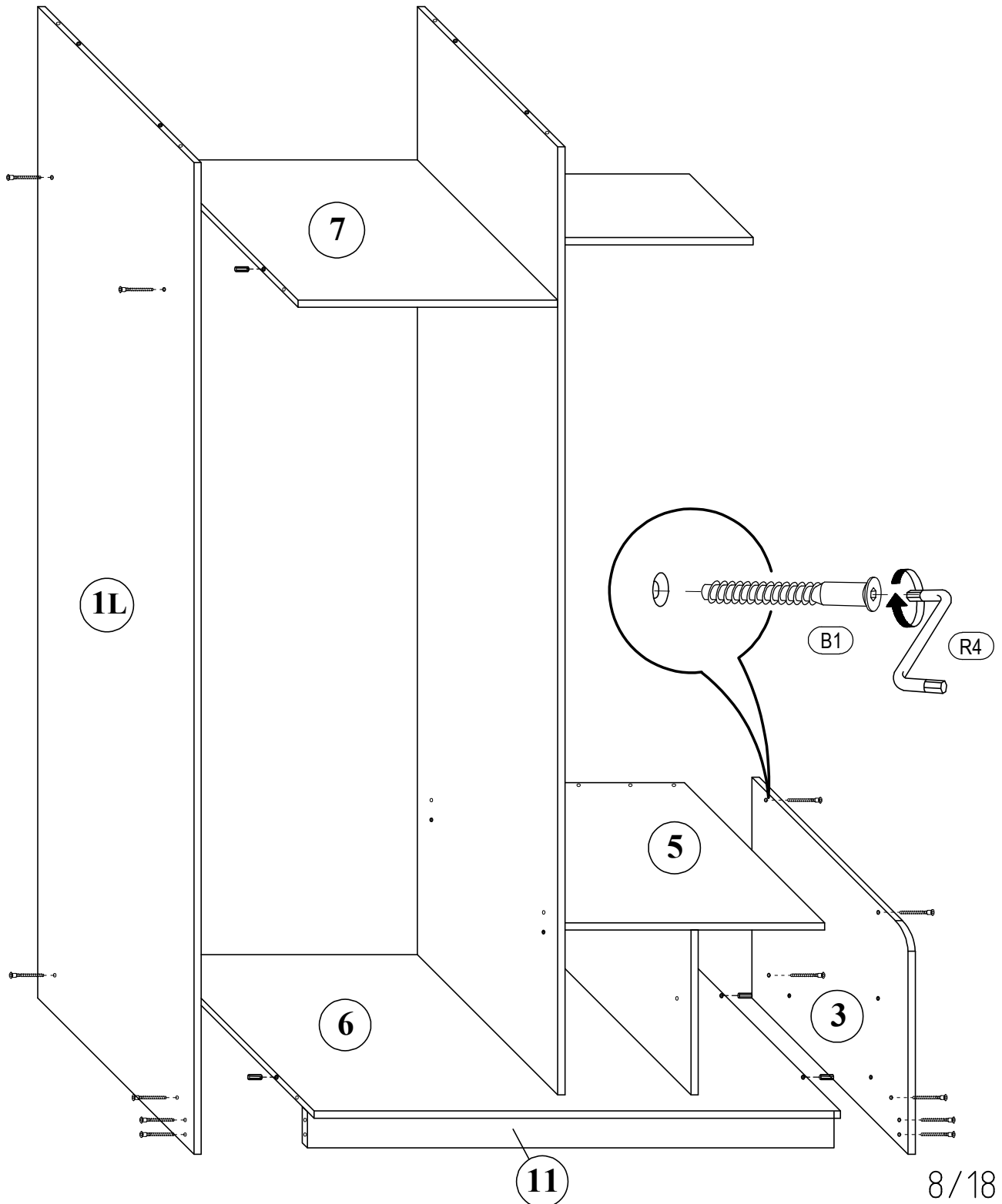
 <p>A1 8*30mm x4</p>	 <p>B1 6,3*50mm x2</p>	 <p>R4 N°4</p>
---	---	---

4


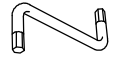


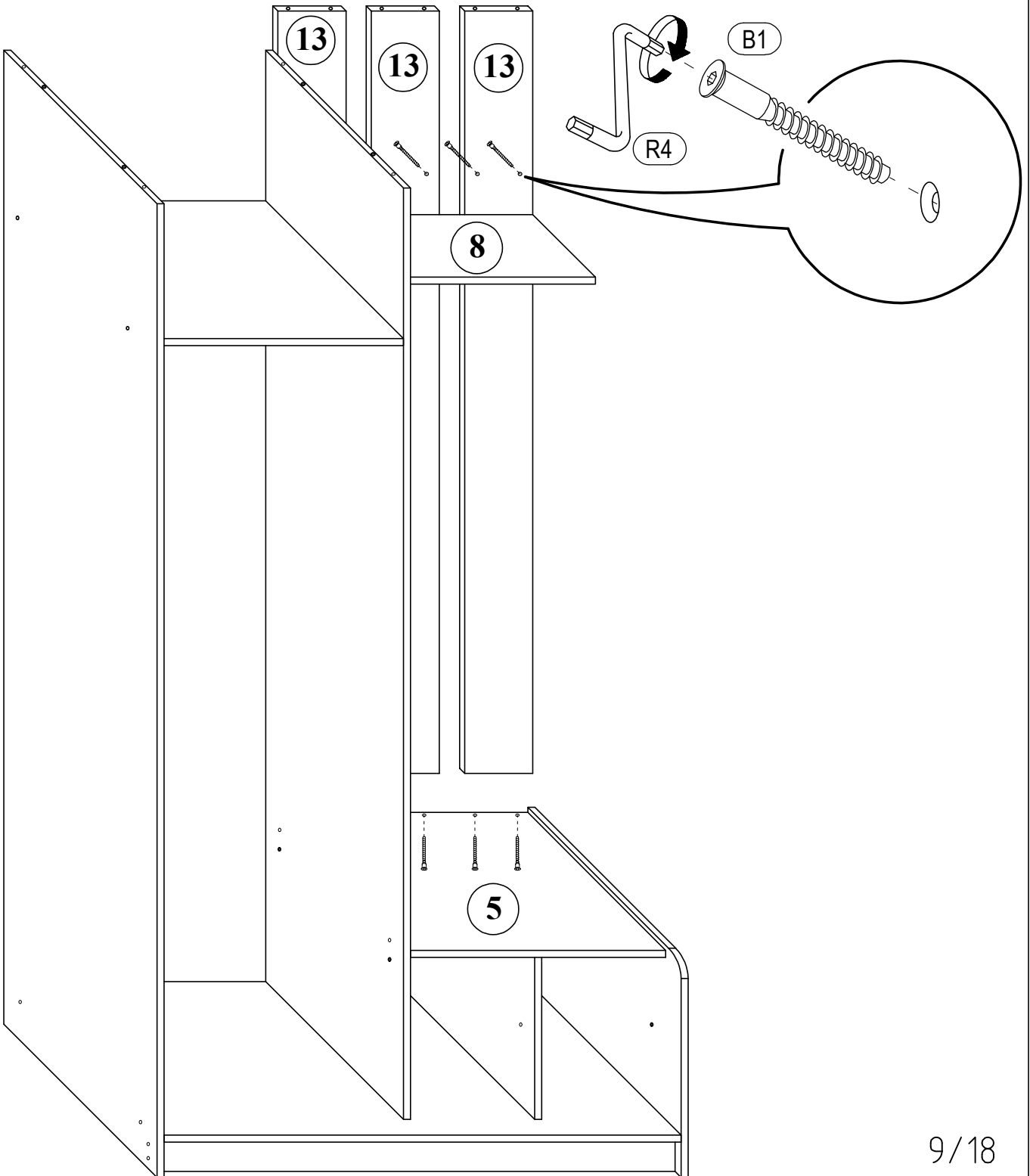
 <p>(A1) 8*30mm x6</p>	 <p>(B1) 6,3*50mm x12</p>	 <p>(R4) N°4</p>
---	--	---

5



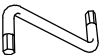


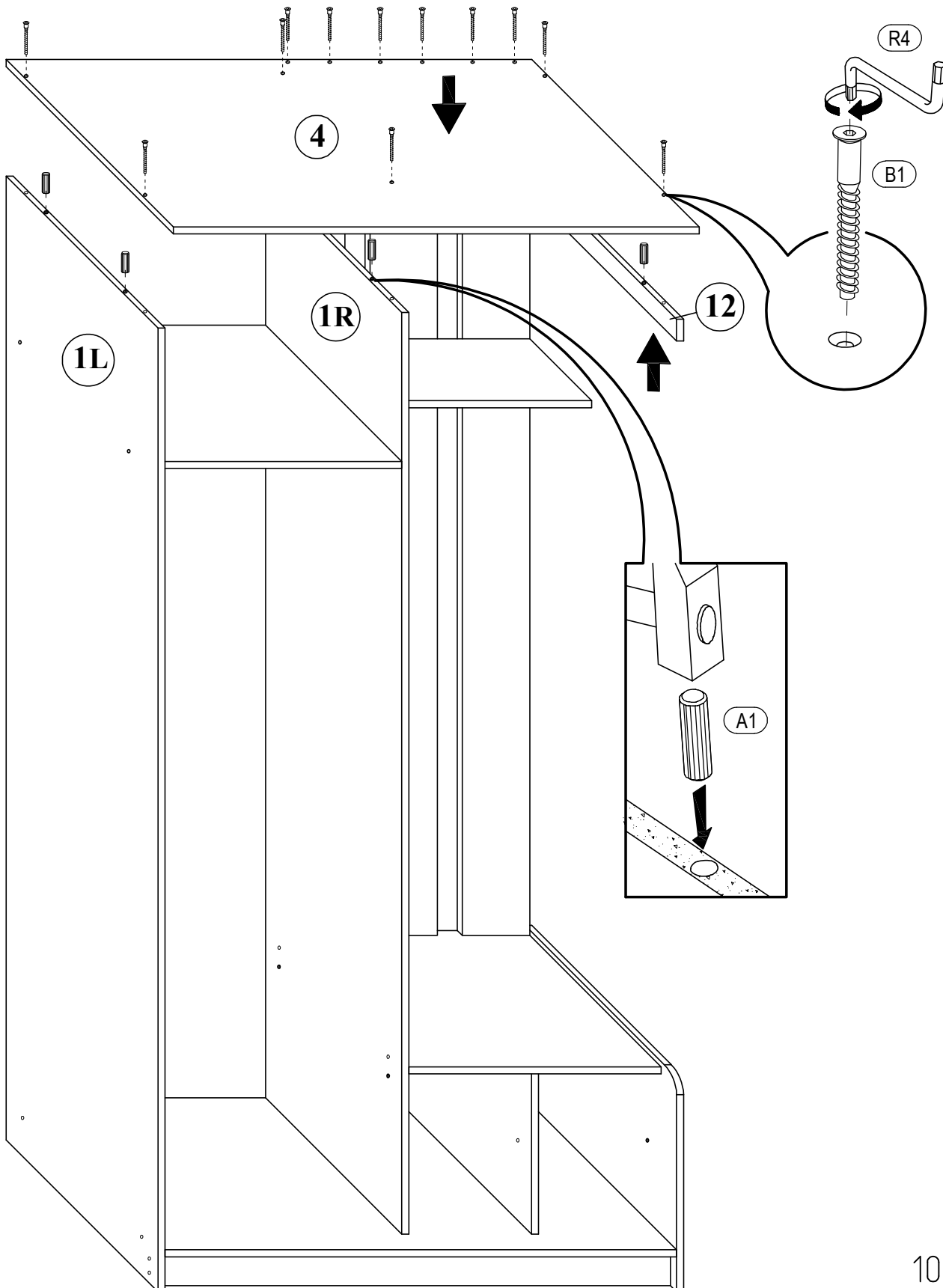
6

 B1 6,3*50mm x12	 R4 N°4
--	--

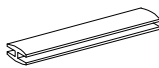



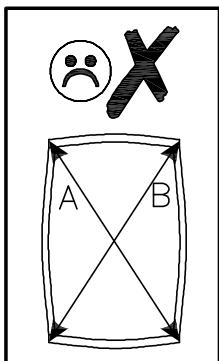
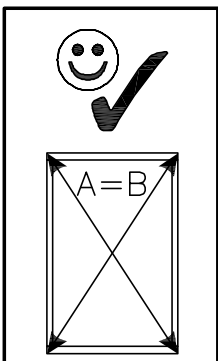
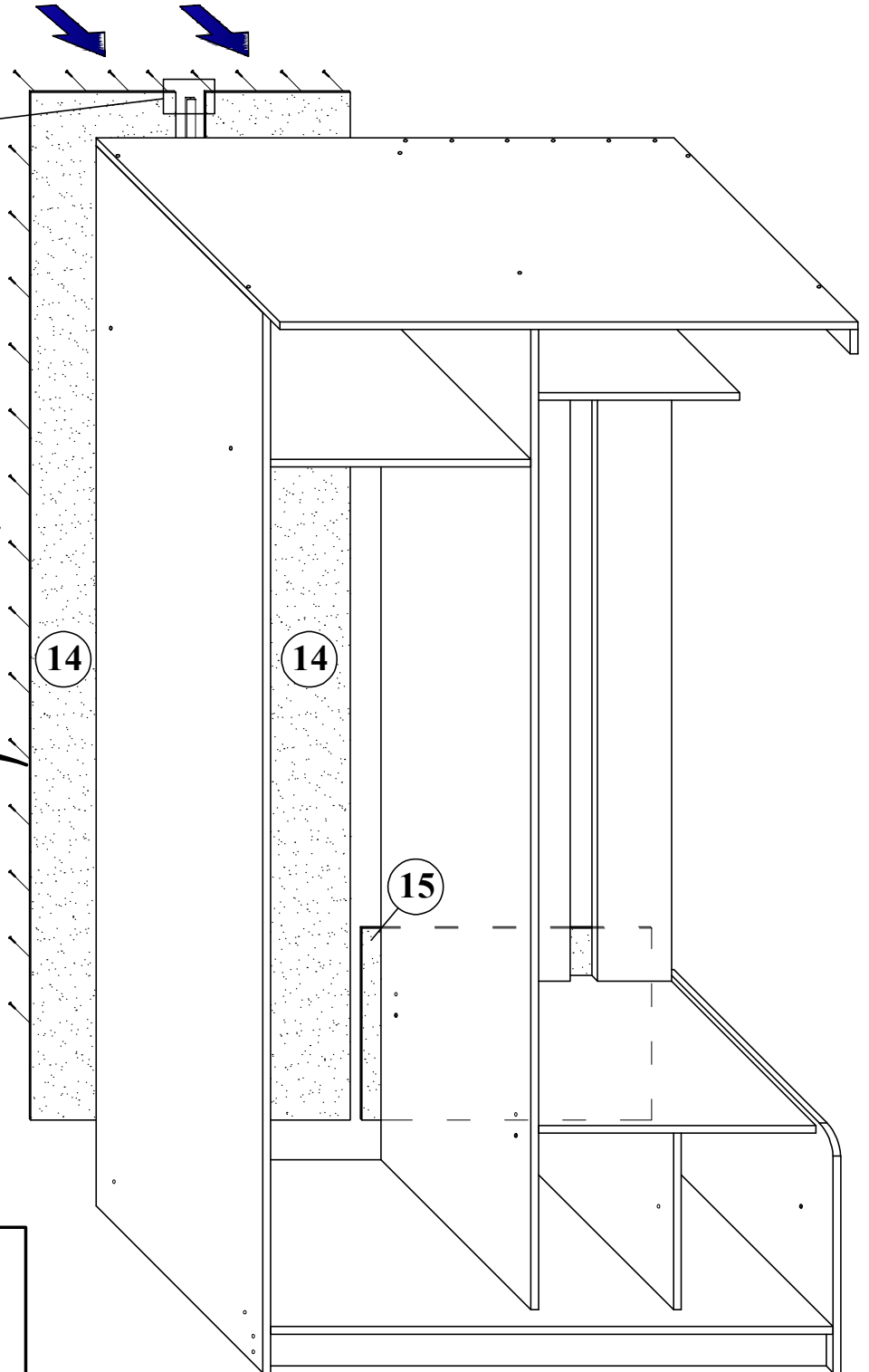
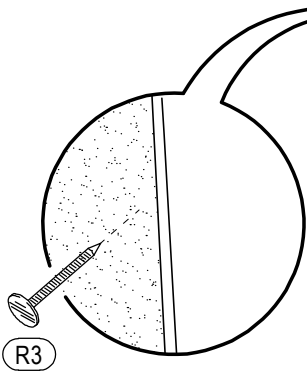
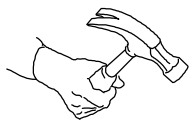
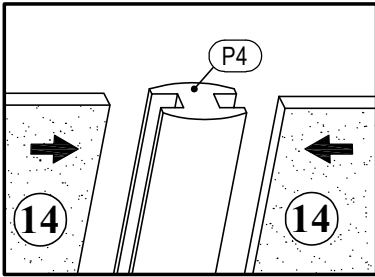
7


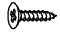
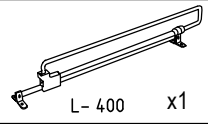


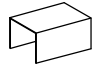

 <p>(A1) 8*30mm x6</p>	 <p>(B1) 6,3*50mm x12</p>	 <p>(R4) N°4</p>
---	--	---



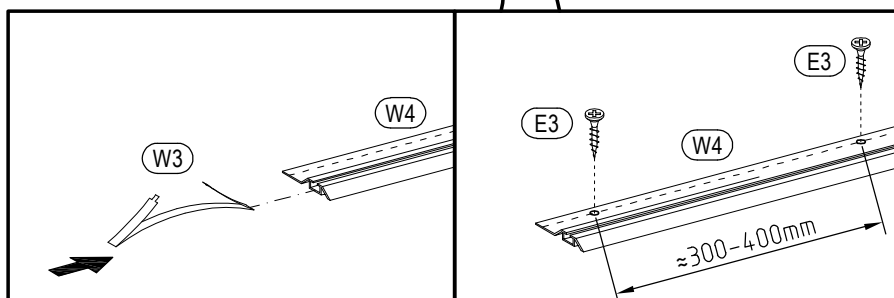
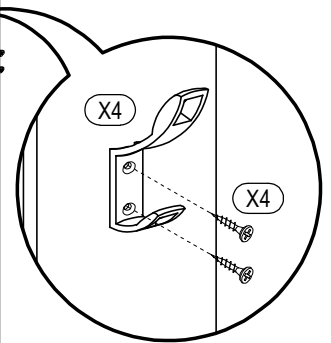
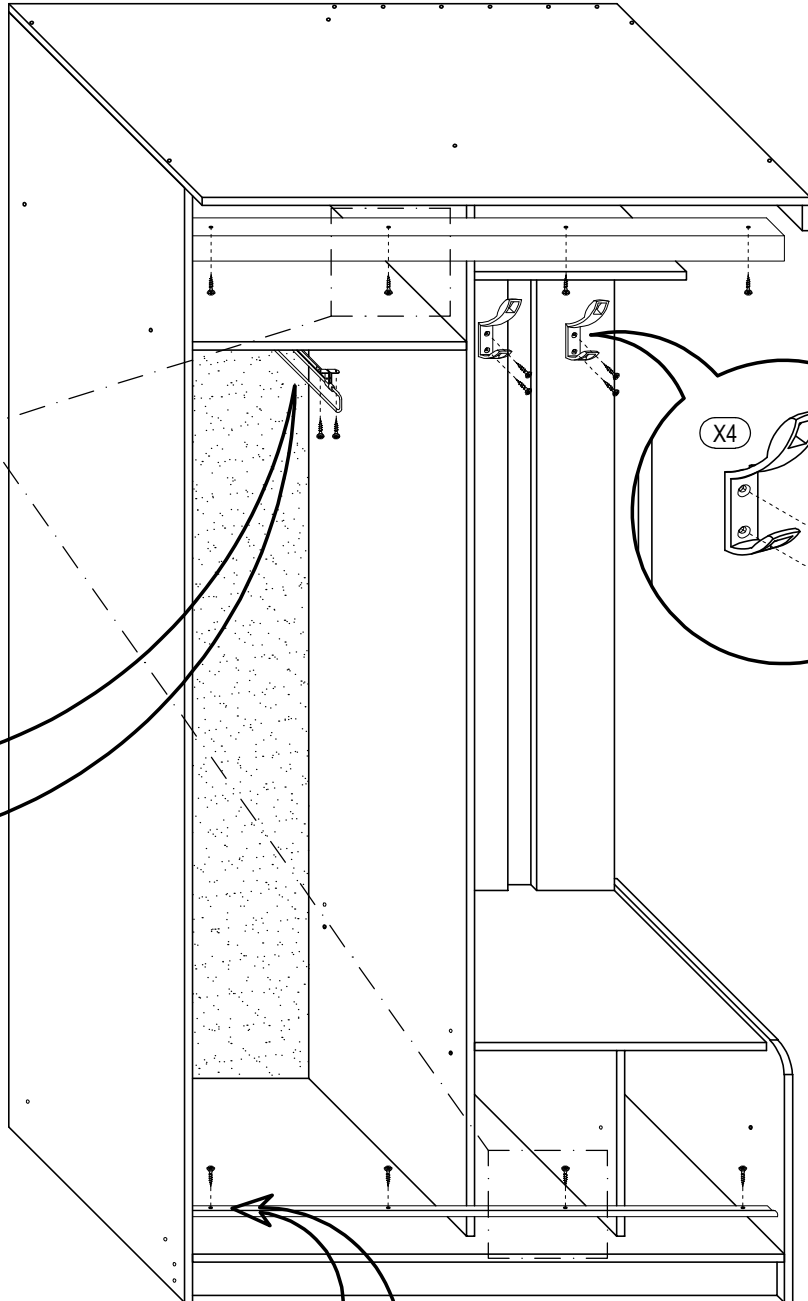
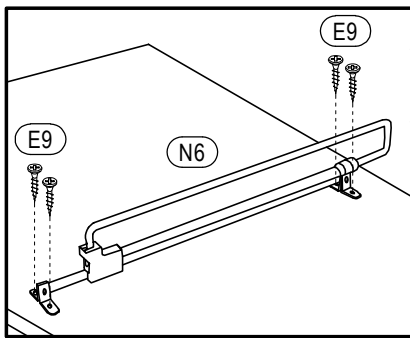
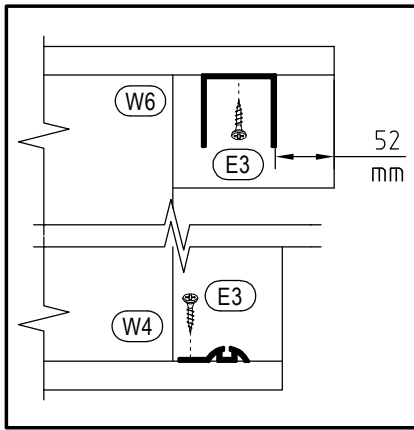
8

 P4 L-1050 x2	 R3 1.4*25mm 0.050kg
---	--

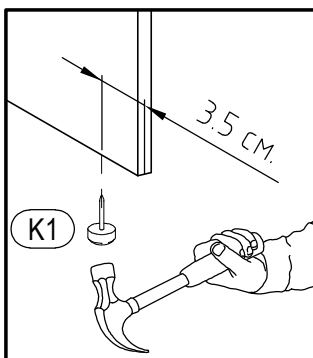
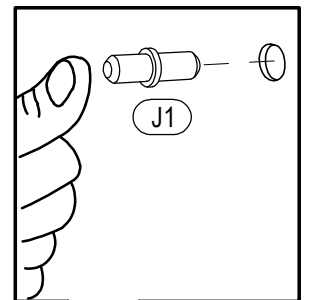
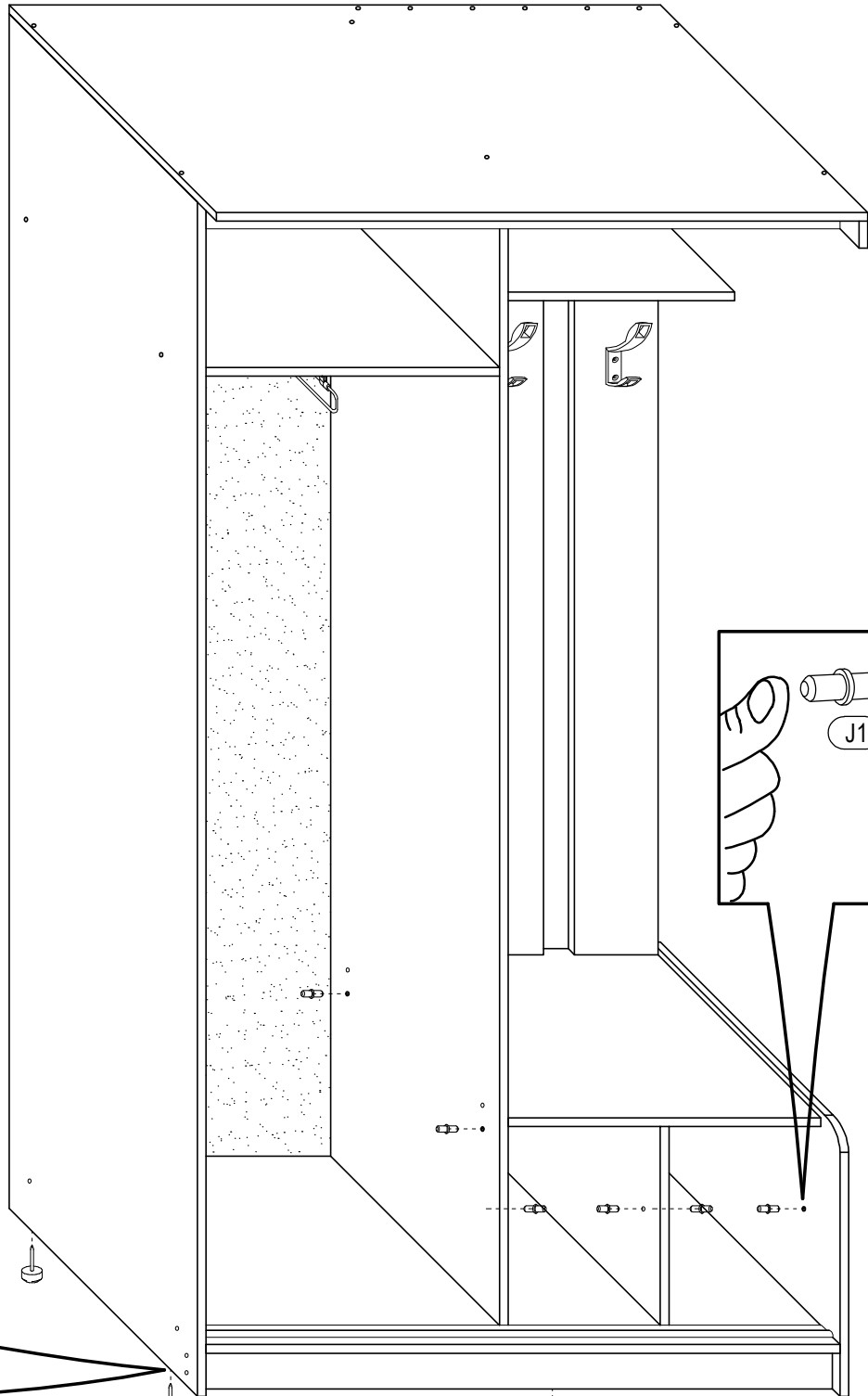
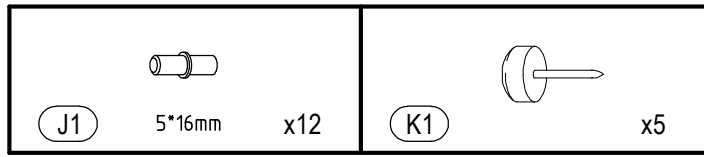


 (E3) 3*15mm x10	 (E9) 4*16mm x4	 (N6) L- 400 x1	 (W3) x1
 (W4) L- 1165 mm x1	 (W6) L- 1165 mm x1	 (X4) DW08 x3	

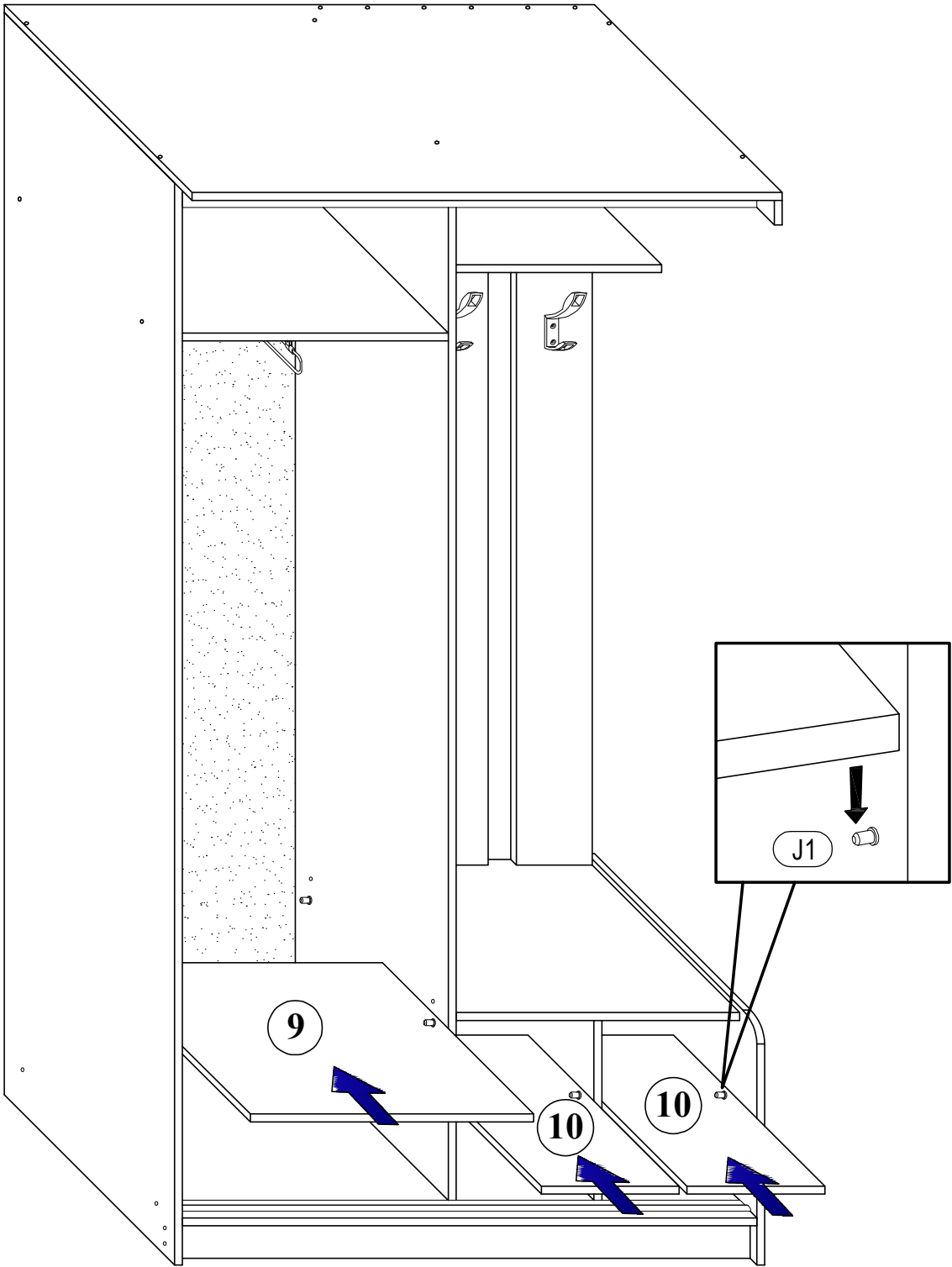
9



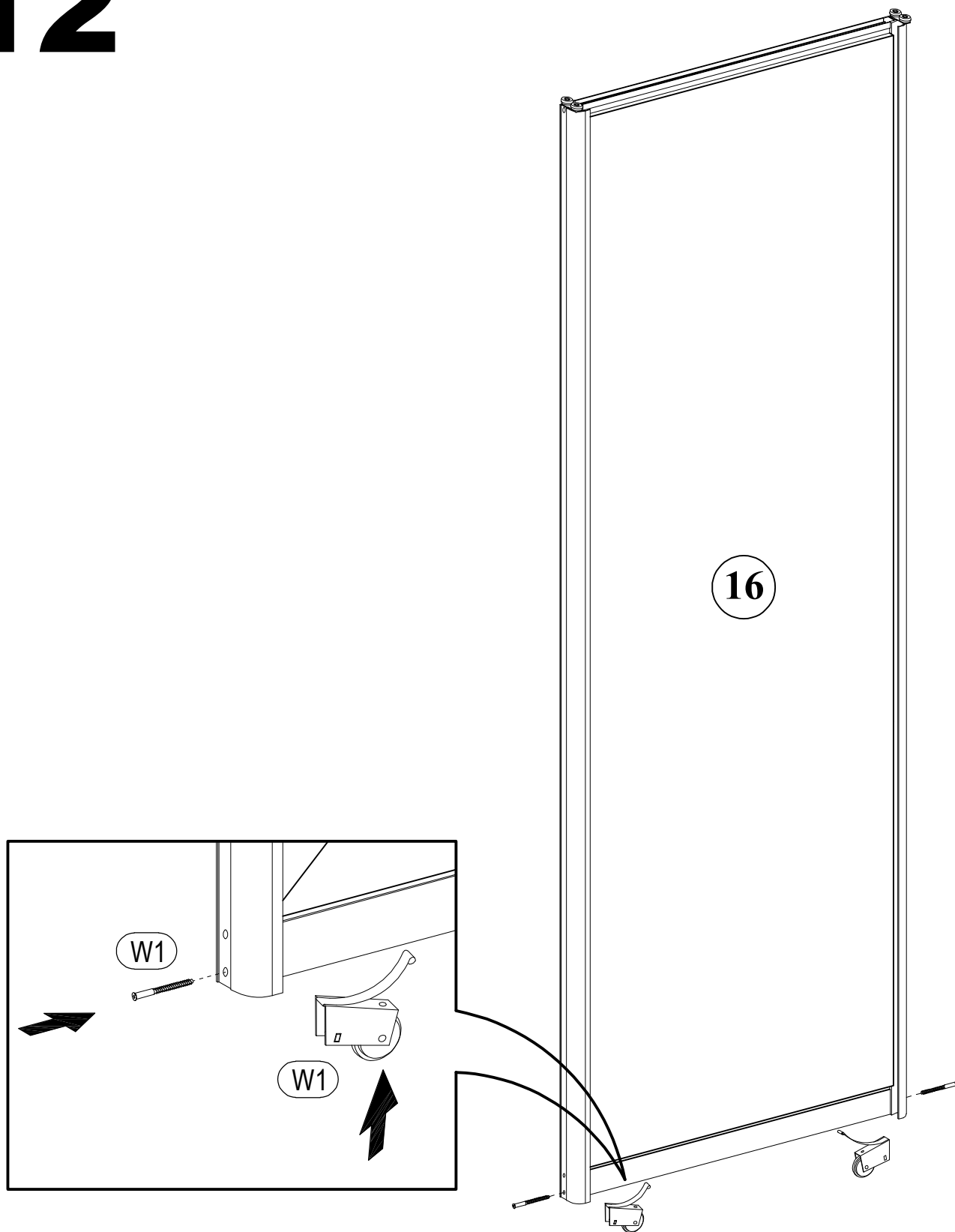
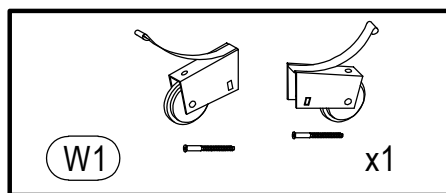
10



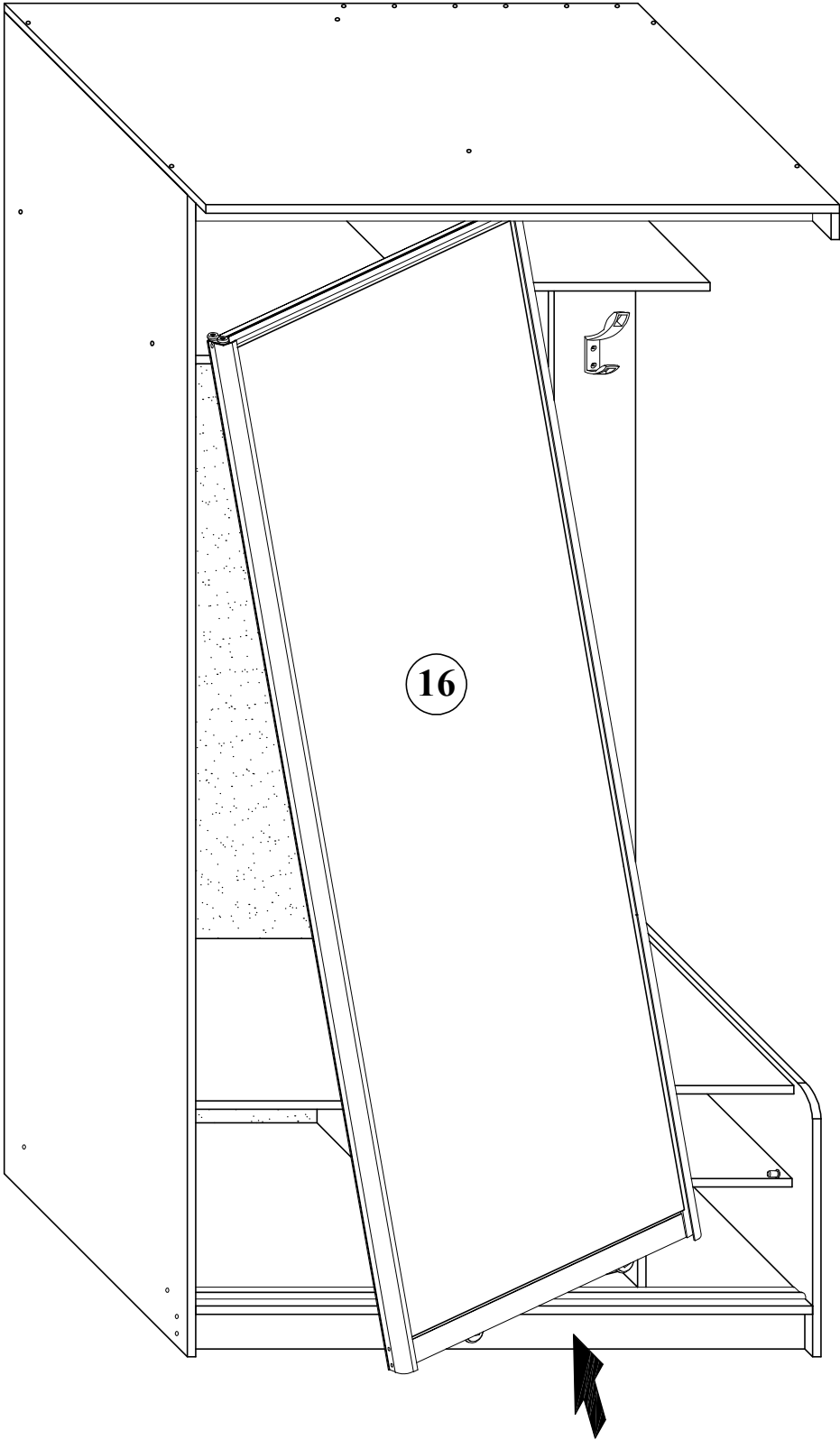
11



12



13



14

