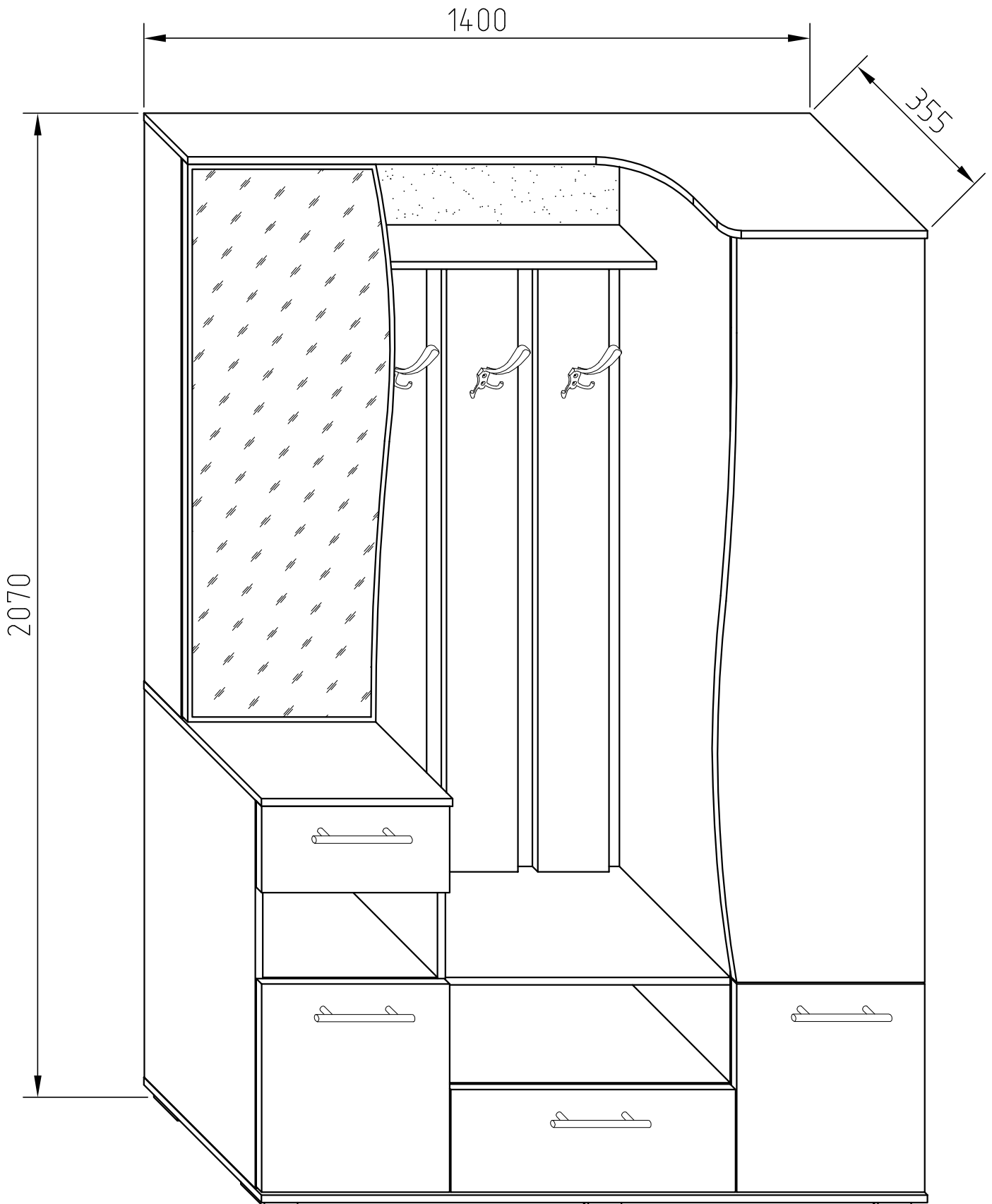
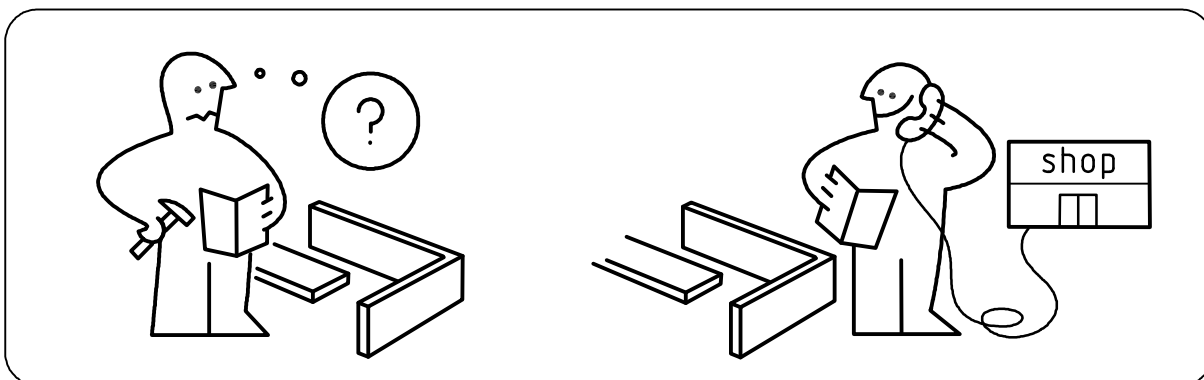
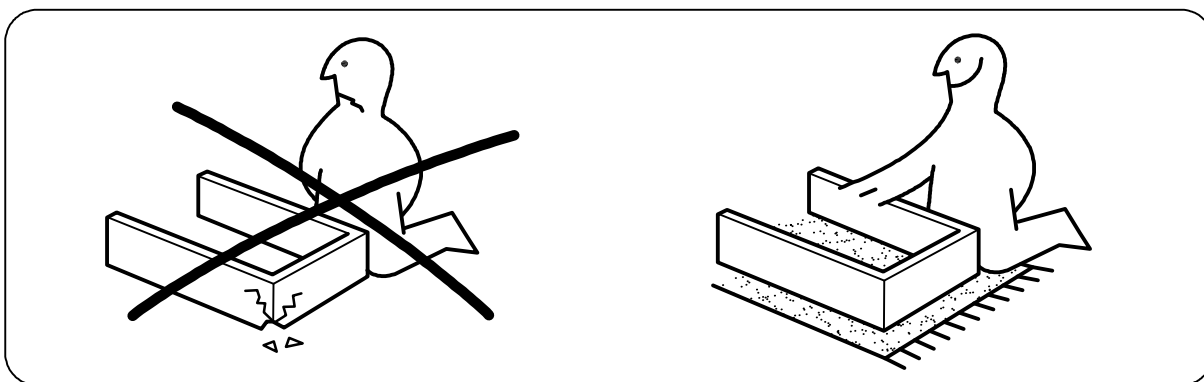
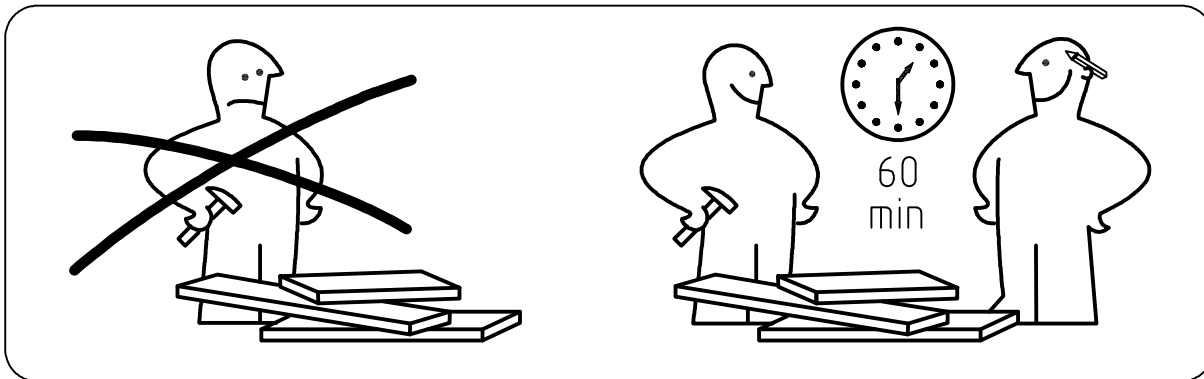
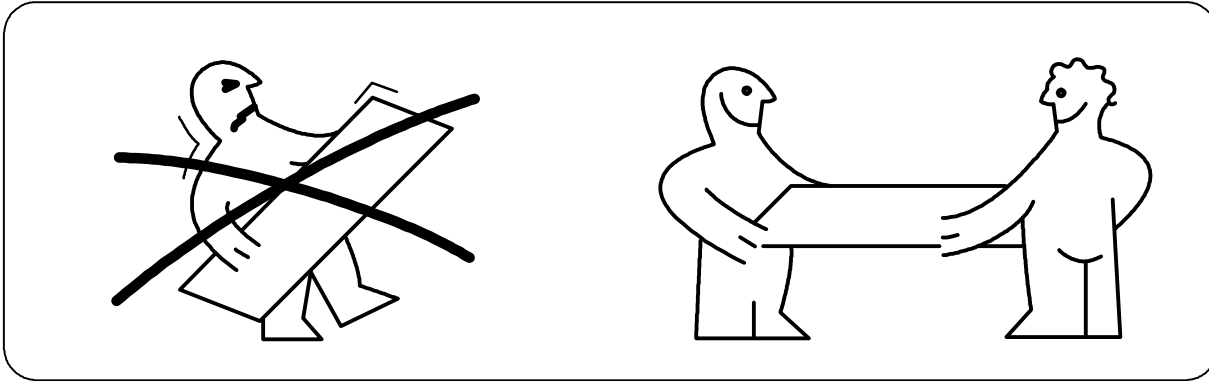
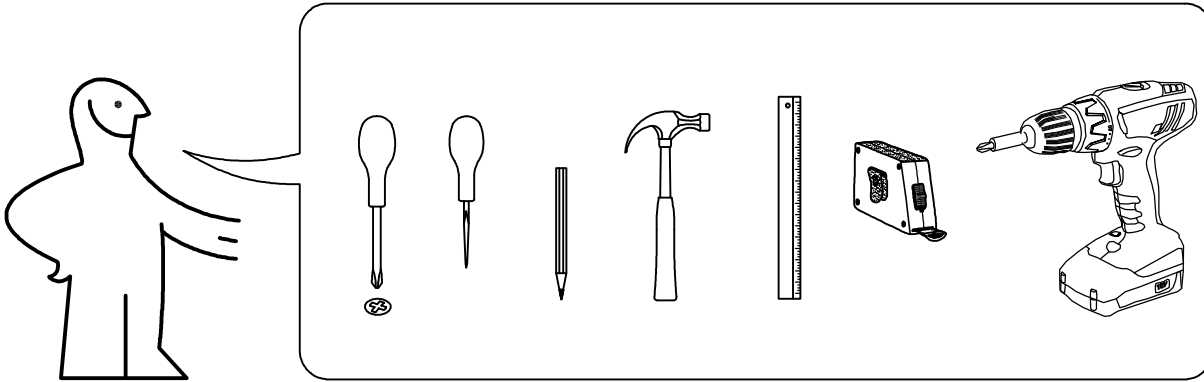




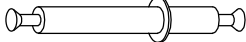


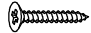
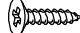
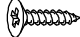
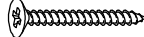
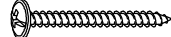
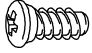

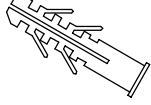

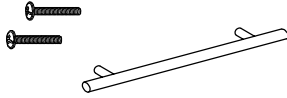

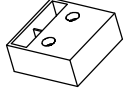
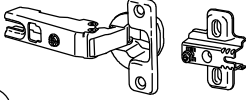
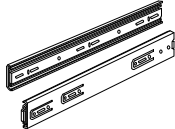

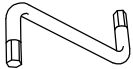

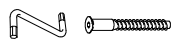


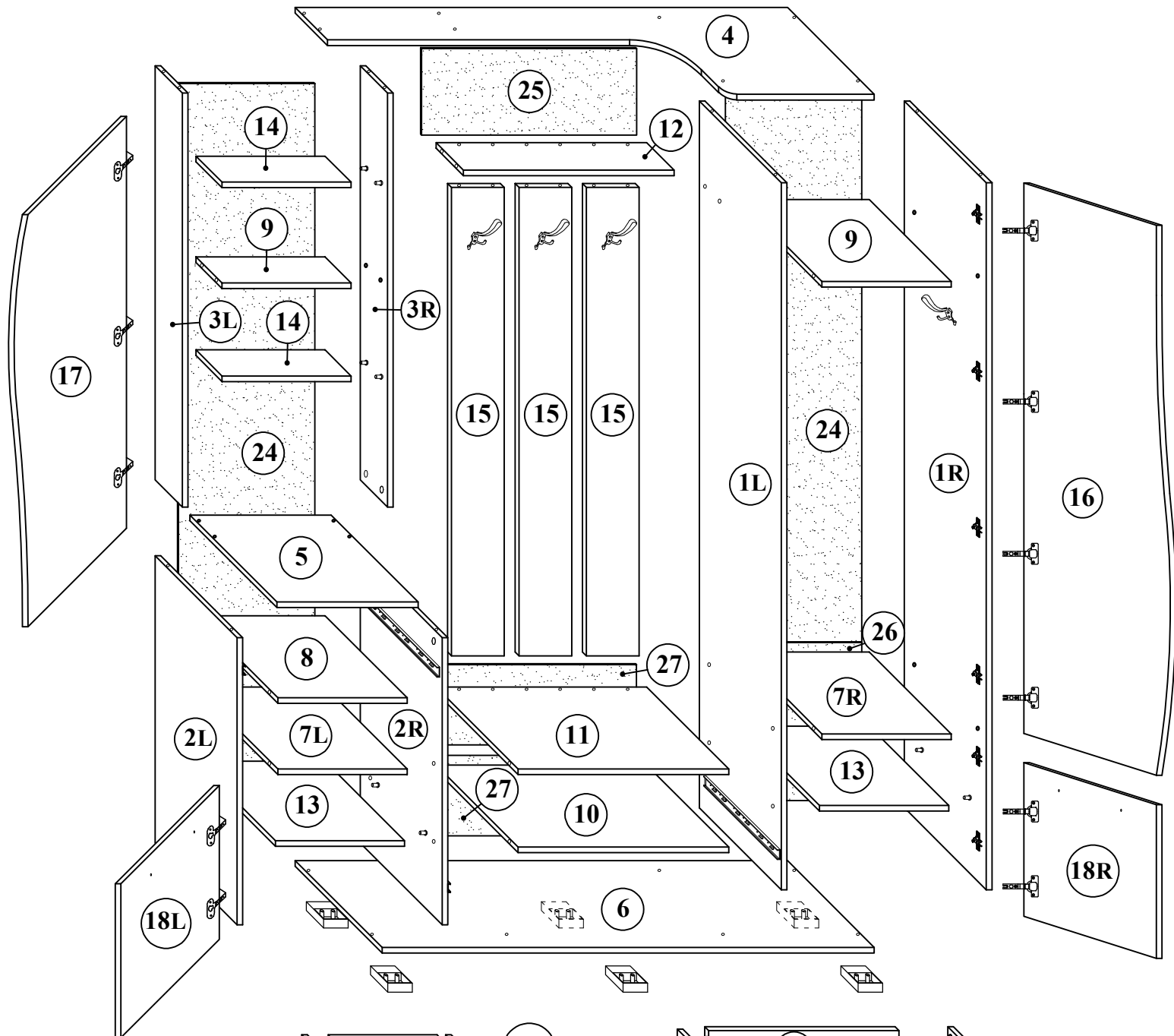
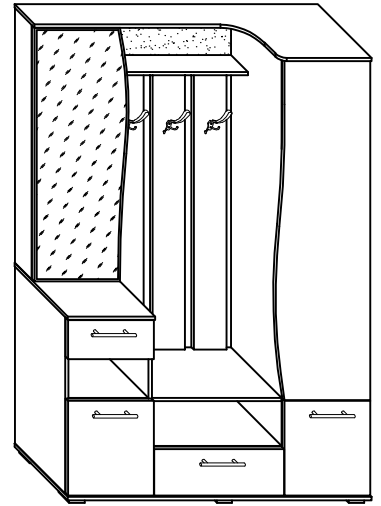
EVITA







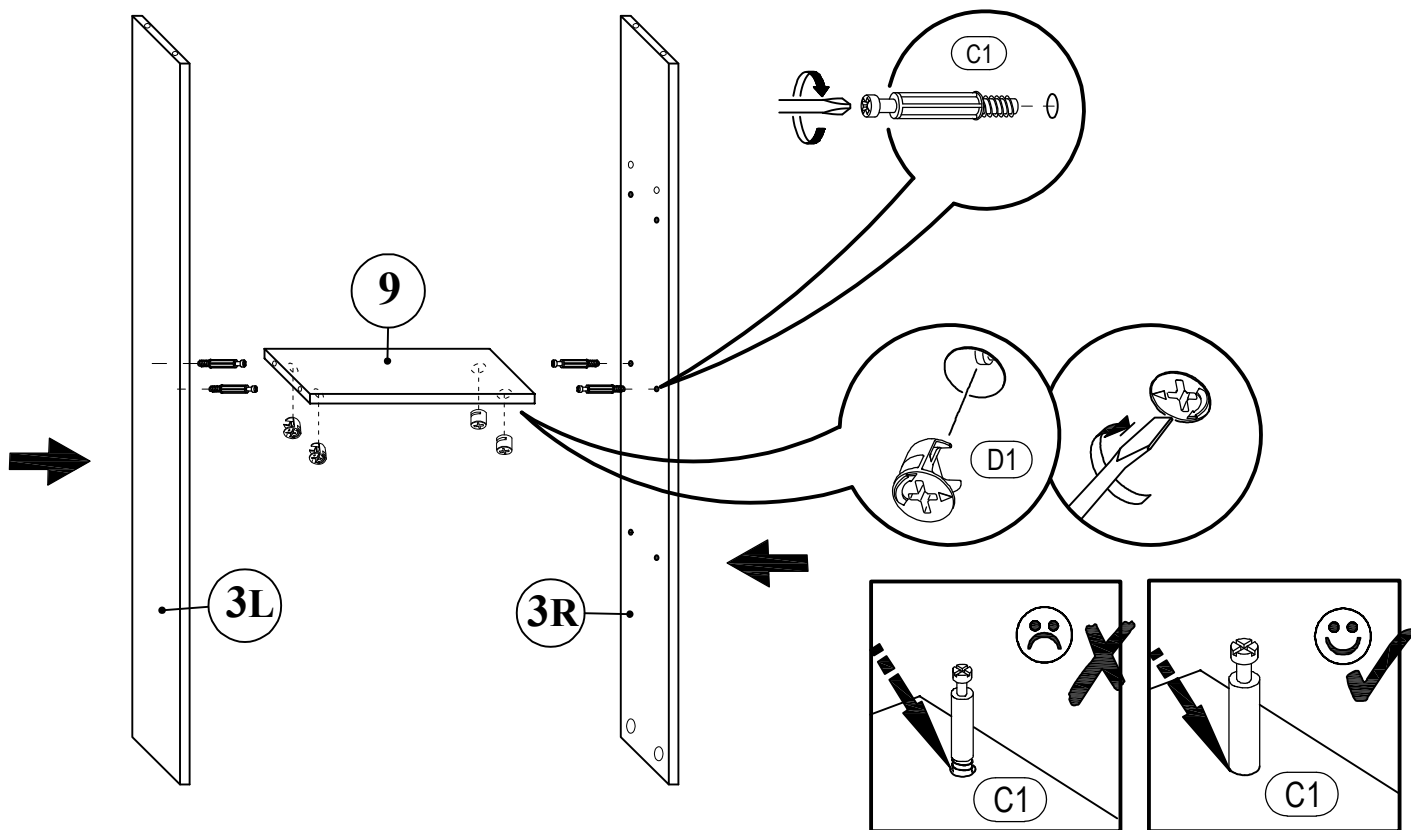
 <p>A1 8*30mm x16</p>	 <p>B x40</p>	 <p>B1 6,3*50mm x40</p>
 <p>C1 5*30mm x28</p>	 <p>C2 8*56mm x4</p>	 <p>D x36</p>
 <p>D1 16mm x36</p>	 <p>E4 3*20mm x10</p>	 <p>E5 3,5*16mm x18</p>
 <p>E8 4*16mm x22</p>	 <p>E11 4*35mm x12</p>	 <p>E17 4,2*41mm x1</p>
 <p>F3 6,3*13mm x22</p>	 <p>H1 M 4 x8</p>	 <p>H5 8*40mm x1</p>
 <p>H6 x1</p>	 <p>I11 192mm x4</p>	 <p>J1 x16</p>
 <p>K4 311.09.K02 x6</p>	 <p>L1 x11</p>	 <p>M2 L-300mm x2</p>
 <p>R3 1.4*25mm 0.050kg</p>	 <p>R4 N°4 x1</p>	 <p>X3 DW59 x5</p>

No	a*b	x	N°→...
1L	2013x330	x1	2/3
1R	2013x330	x1	2/3
2L	818x330	x1	3/3
2R	818x330	x1	3/3
3L	1179x110	x1	3/3
3R	1179x110	x1	3/3
4	1402x350	x1	3/3
5	402x350	x1	1/3
6	1402x350	x1	3/3
7L	368x330	x1	2/3
7R	368x330	x1	2/3
8	368x330	x2	1/3
9	368x110	x1	2/3
10	600x330	x1	2/3
11	600x330	x1	2/3
12	600x110	x1	1/3
13	368x320	x1	1/3
	368x320	x1	3/3
14	368x105	x2	2/3
15	1334x150	x2	2/3
	1334x150	x1	3/3
16	1566x436	x1	1/3
17	1173x436	x1	1/3
18L	438x396	x1	1/3
18R	438x396	x1	1/3
19	216x600	x1	3/3
20	182x396	x1	3/3
21L	300x120	x2	3/3
21R	300x120	x2	3/3
22	542x120	x1	3/3
23	310x120	x1	3/3
24	2041x390	x2	1/3
25	248x614	x1	1/3
26	228x614	x1	1/3
27	228x614	x1	1/3
28	570x304	x1	1/3
29	338x304	x1	1/3
		x1	3/3



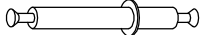


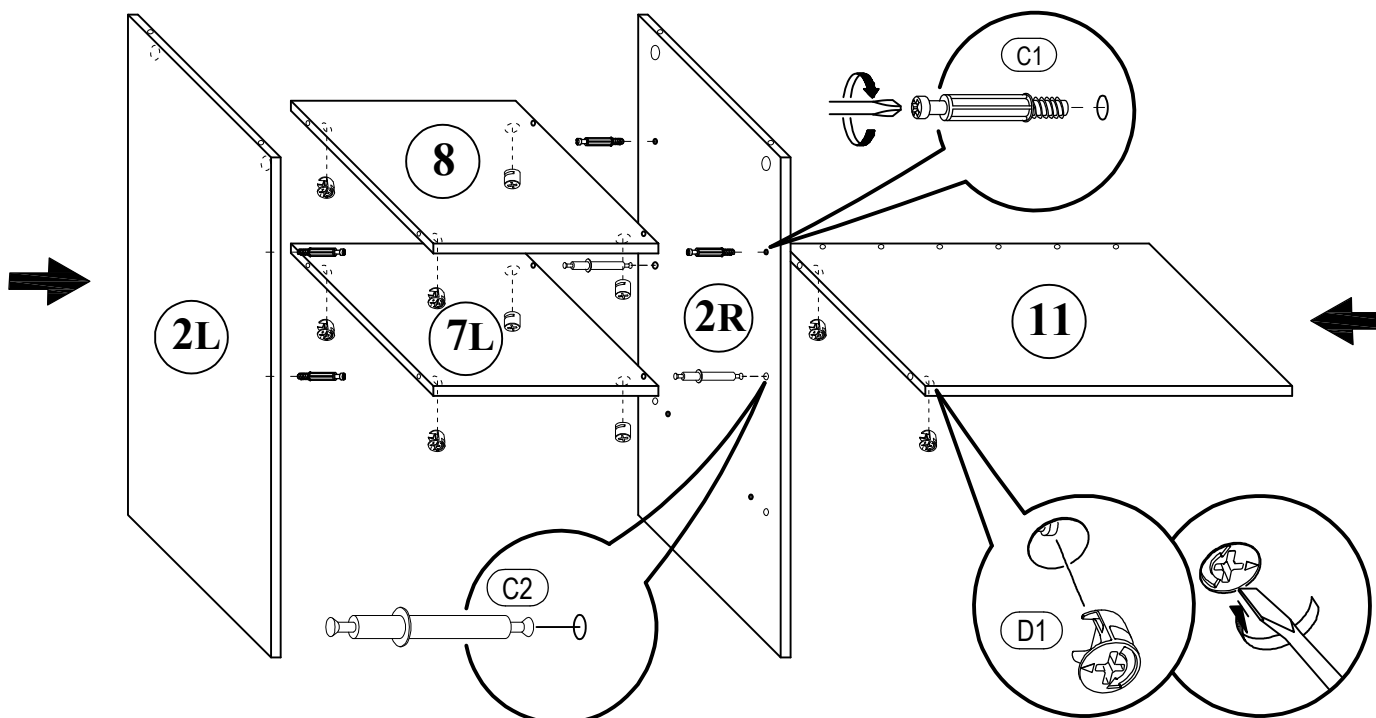
1

 (D1) 16mm x4	 (C1) 5*30mm x4
---	--





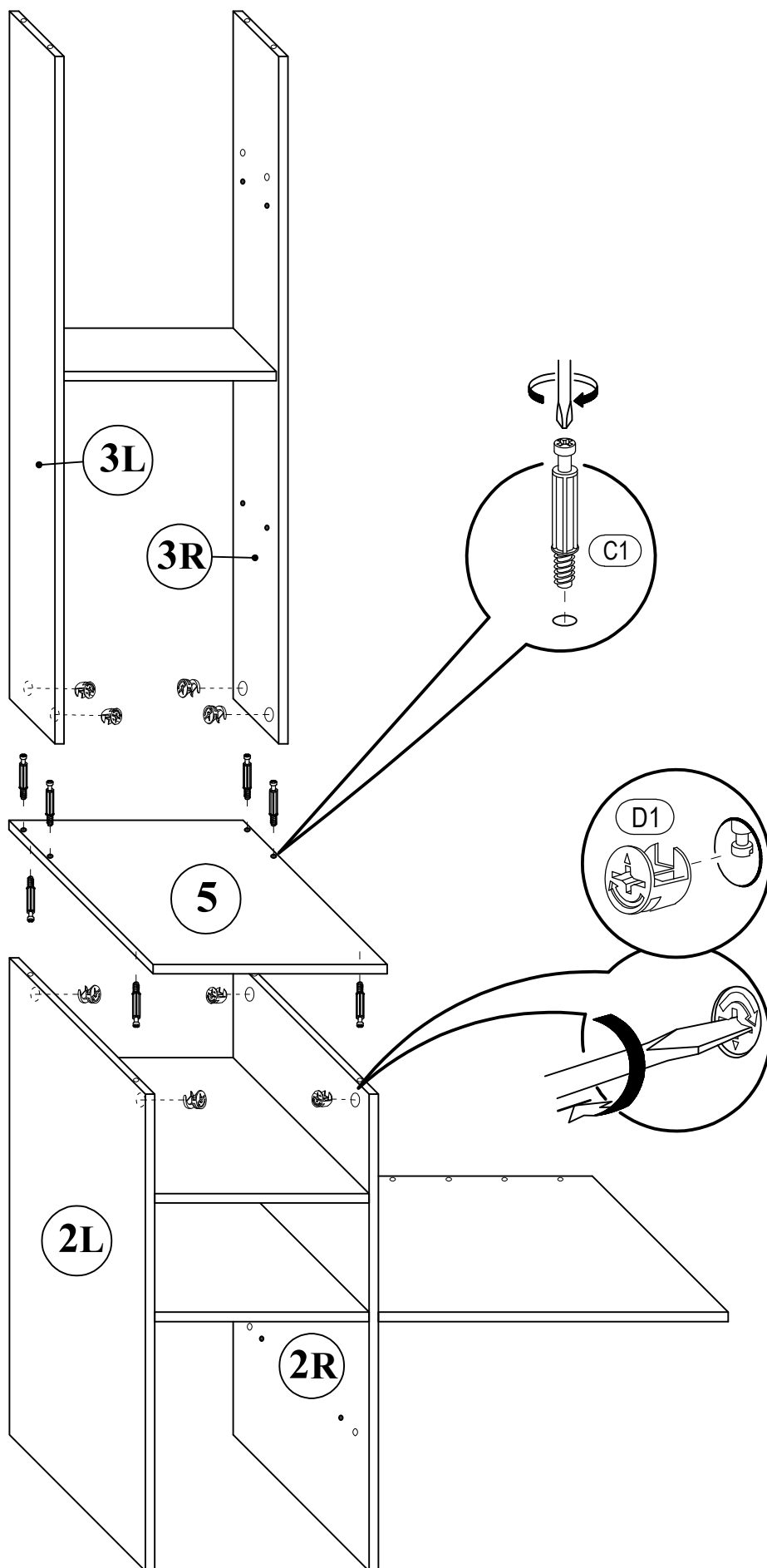
2

 (D1) 16mm x10	 (C1) 5*30mm x6	 (C2) 8*56mm x2
--	---	---

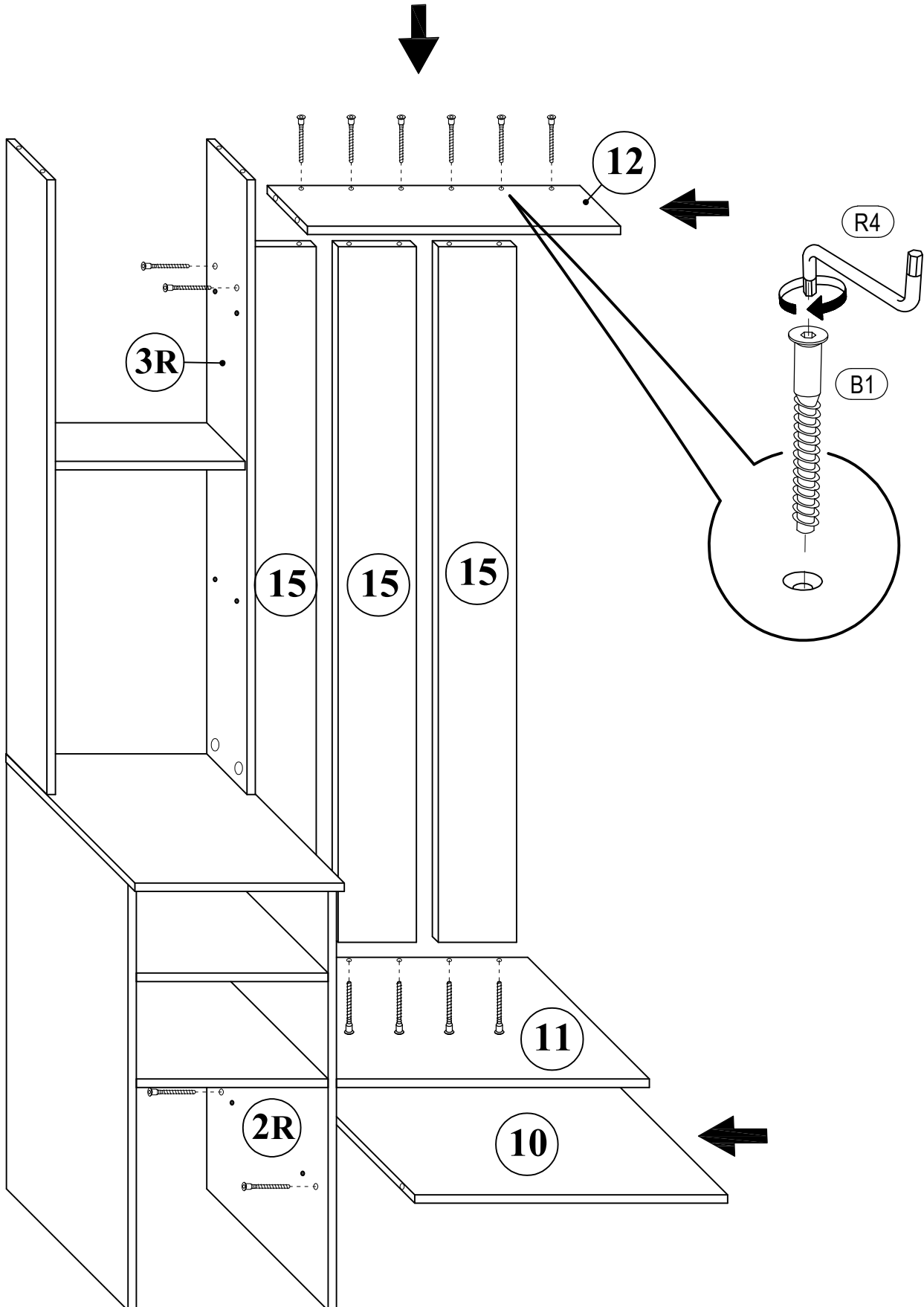
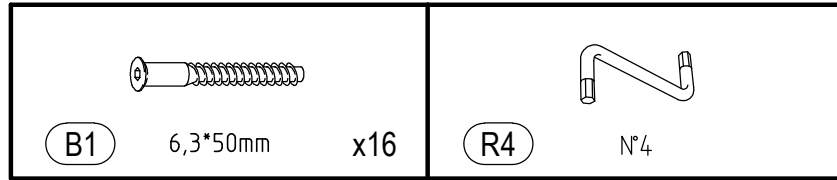


3


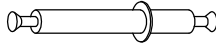
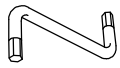
	
(D1) 16mm x8	(C1) 5*30mm x8

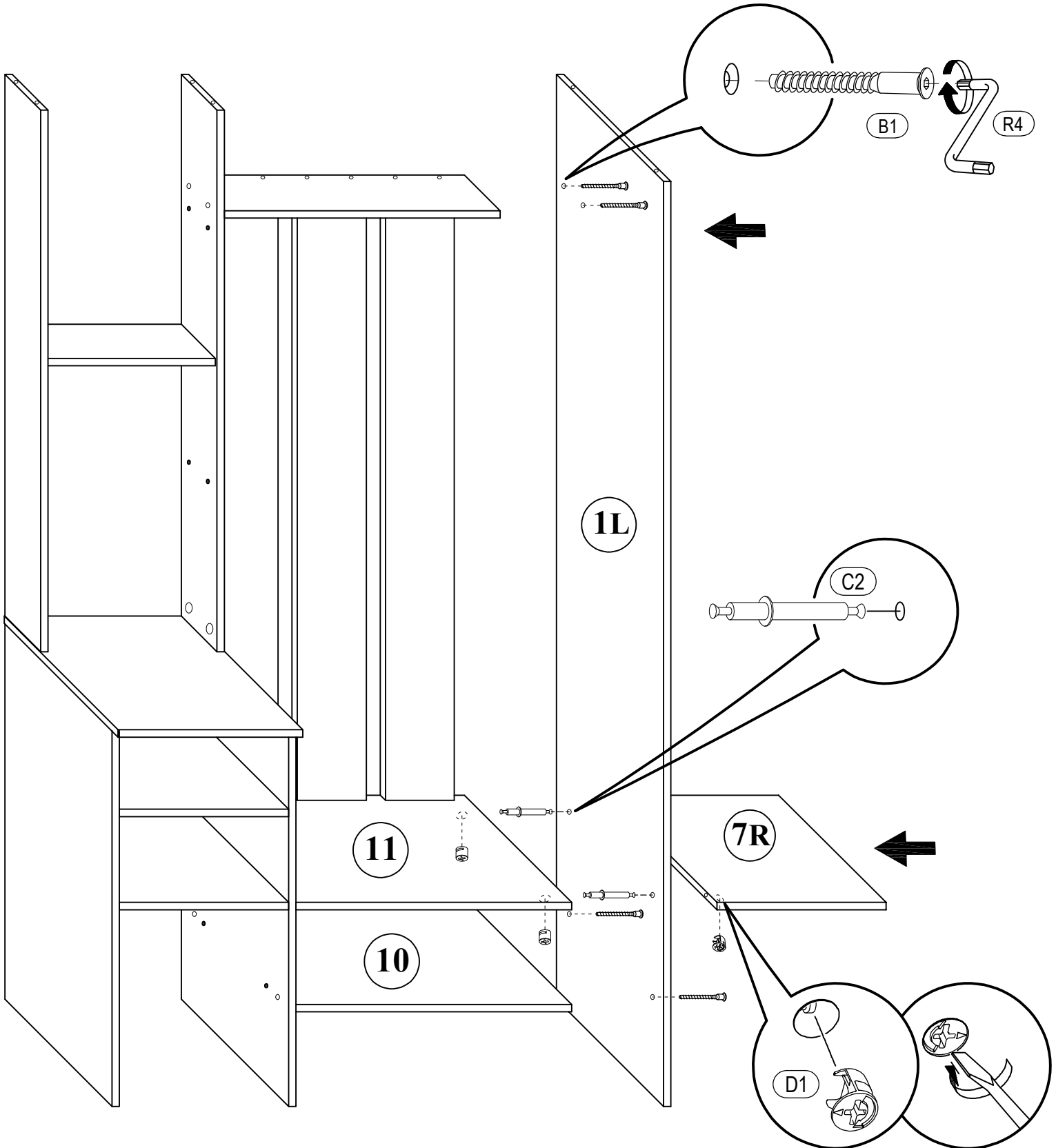


4





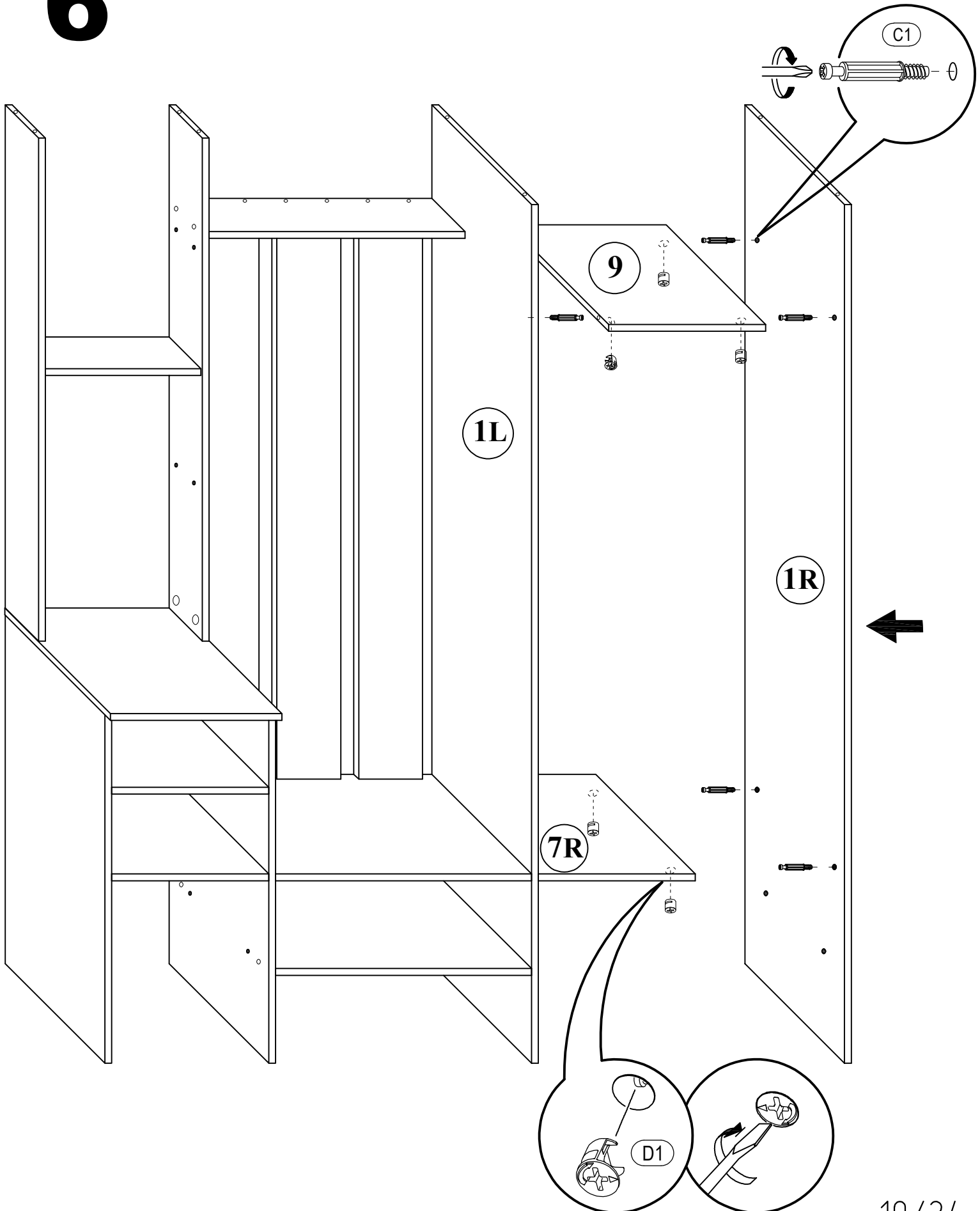
5

 B1 6,3*50mm x4	 C2 8*56mm x2	 R4 N°4
---	--	---

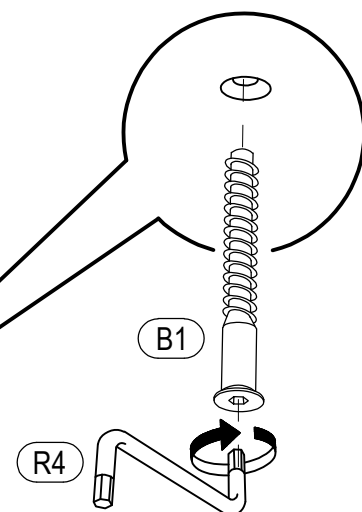
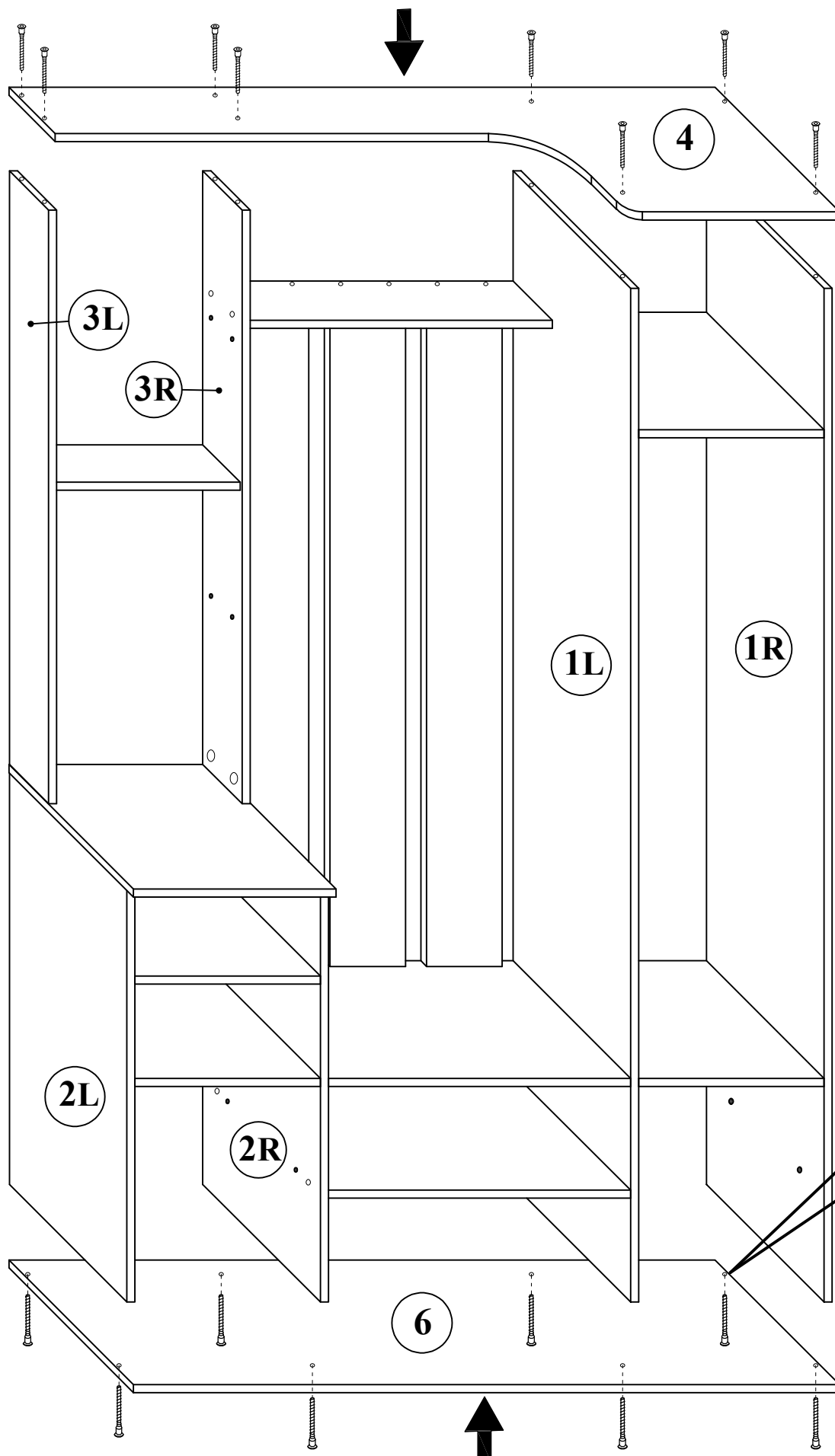
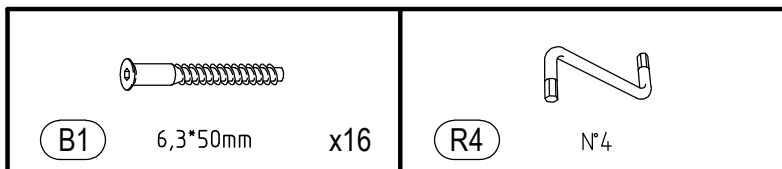


6


 D1 16mm x6	 C1 5*30mm x6
---	--

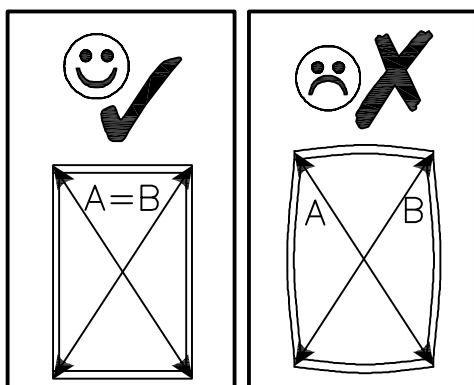
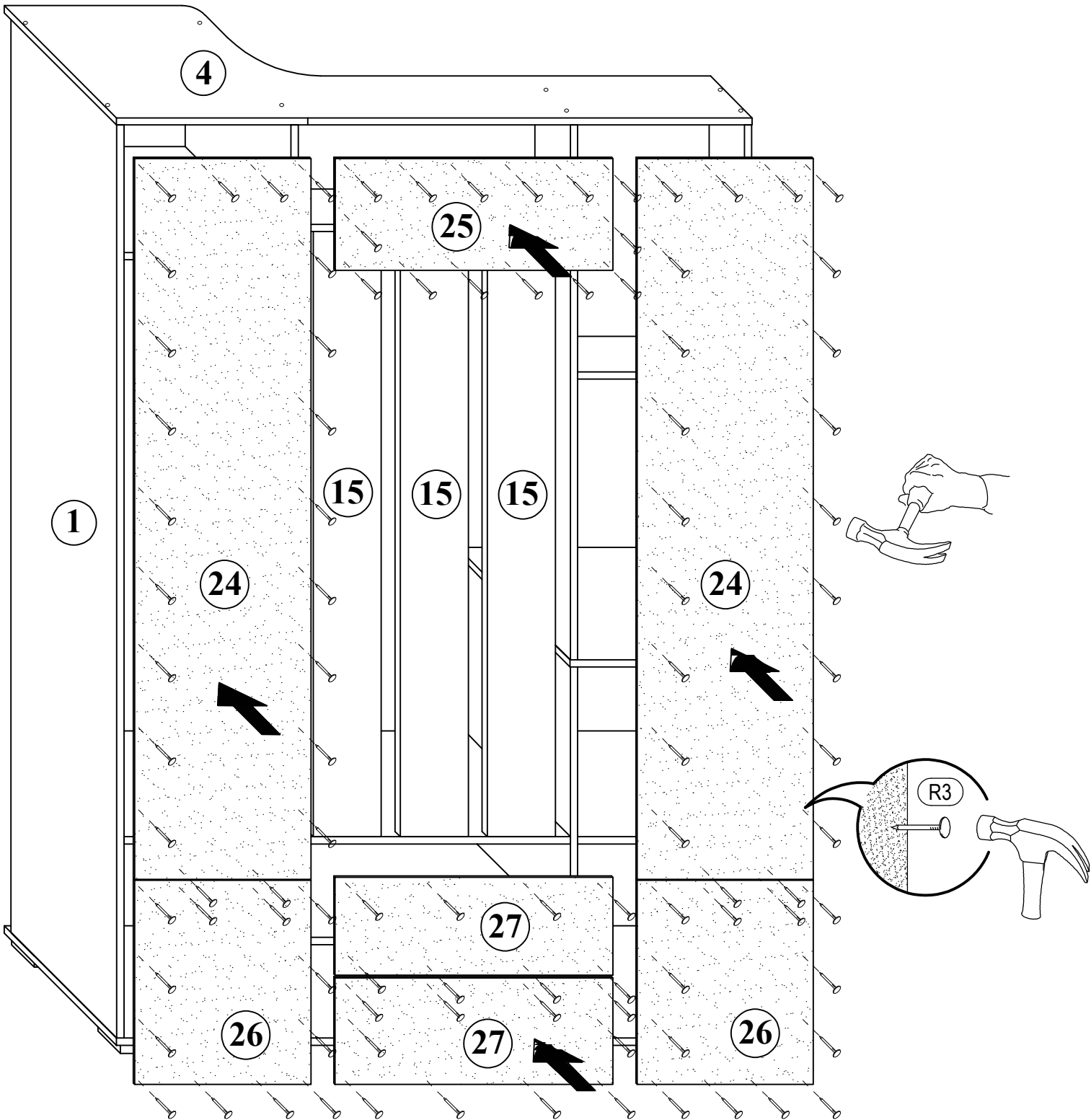


7


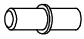
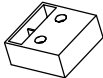


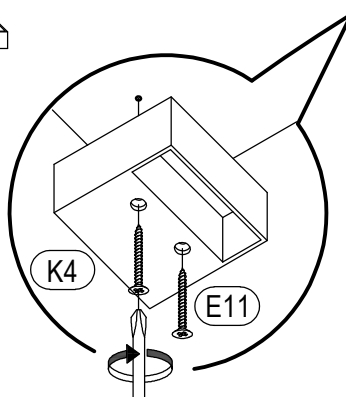
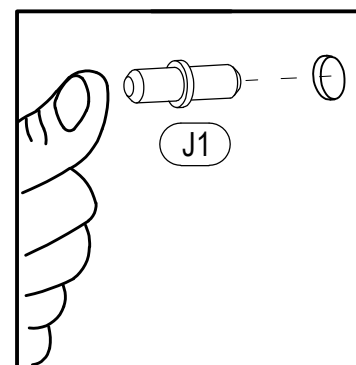
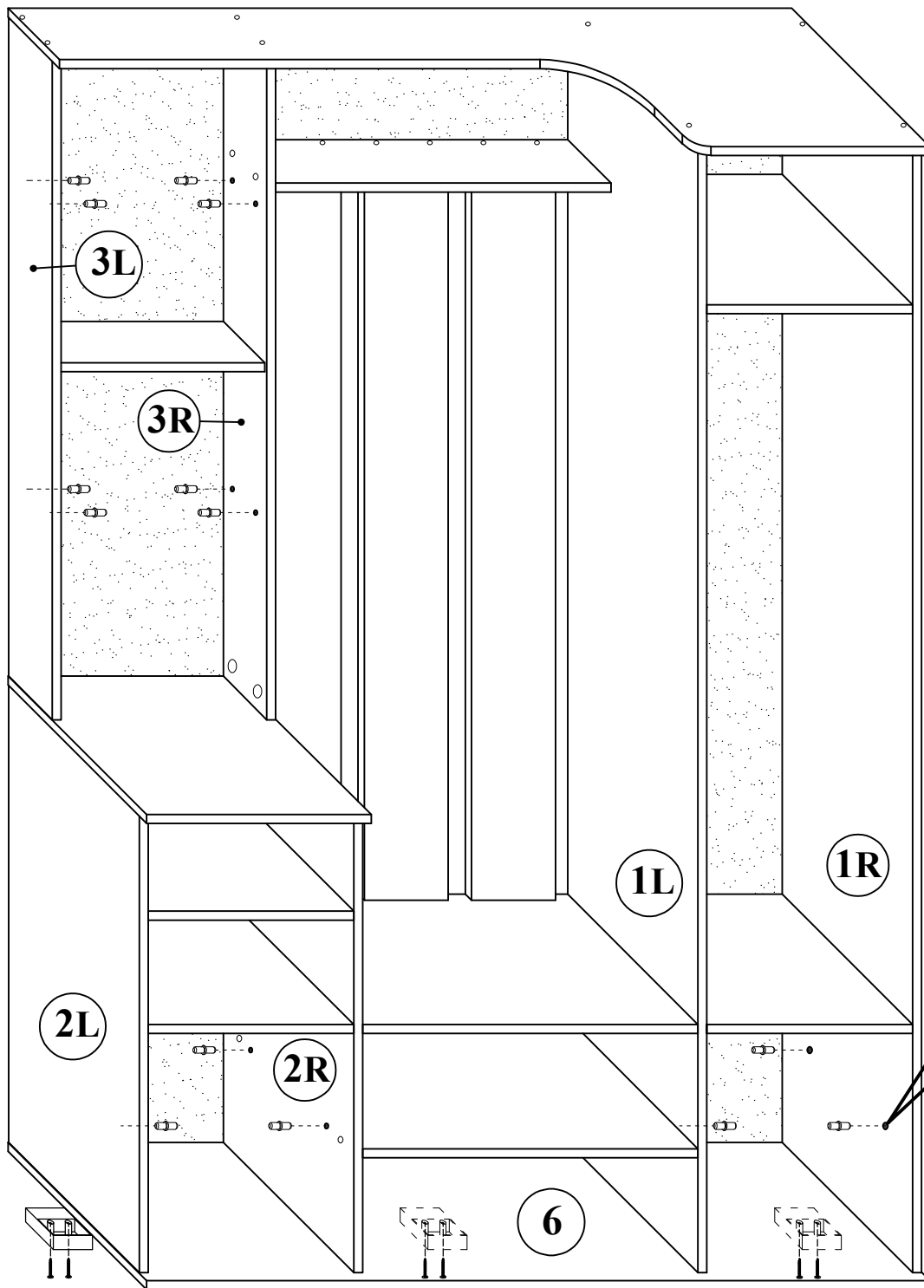
8



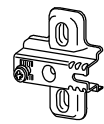
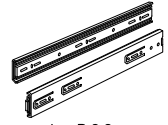

R3 1.4*25mm 0.040kg



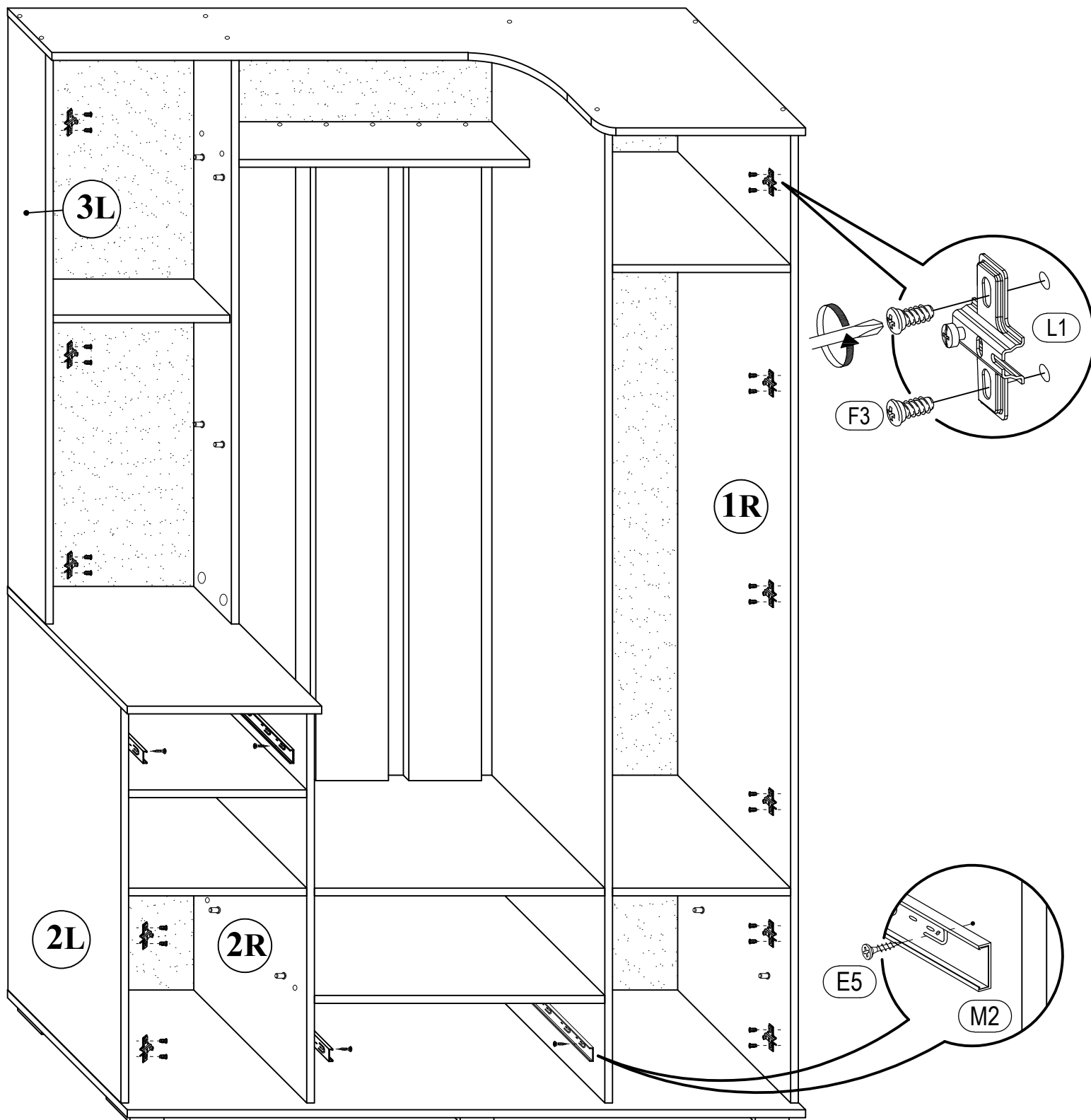
9

 E11 4*35mm x12	 J1 5*16mm x16	 K4 x6
---	--	--

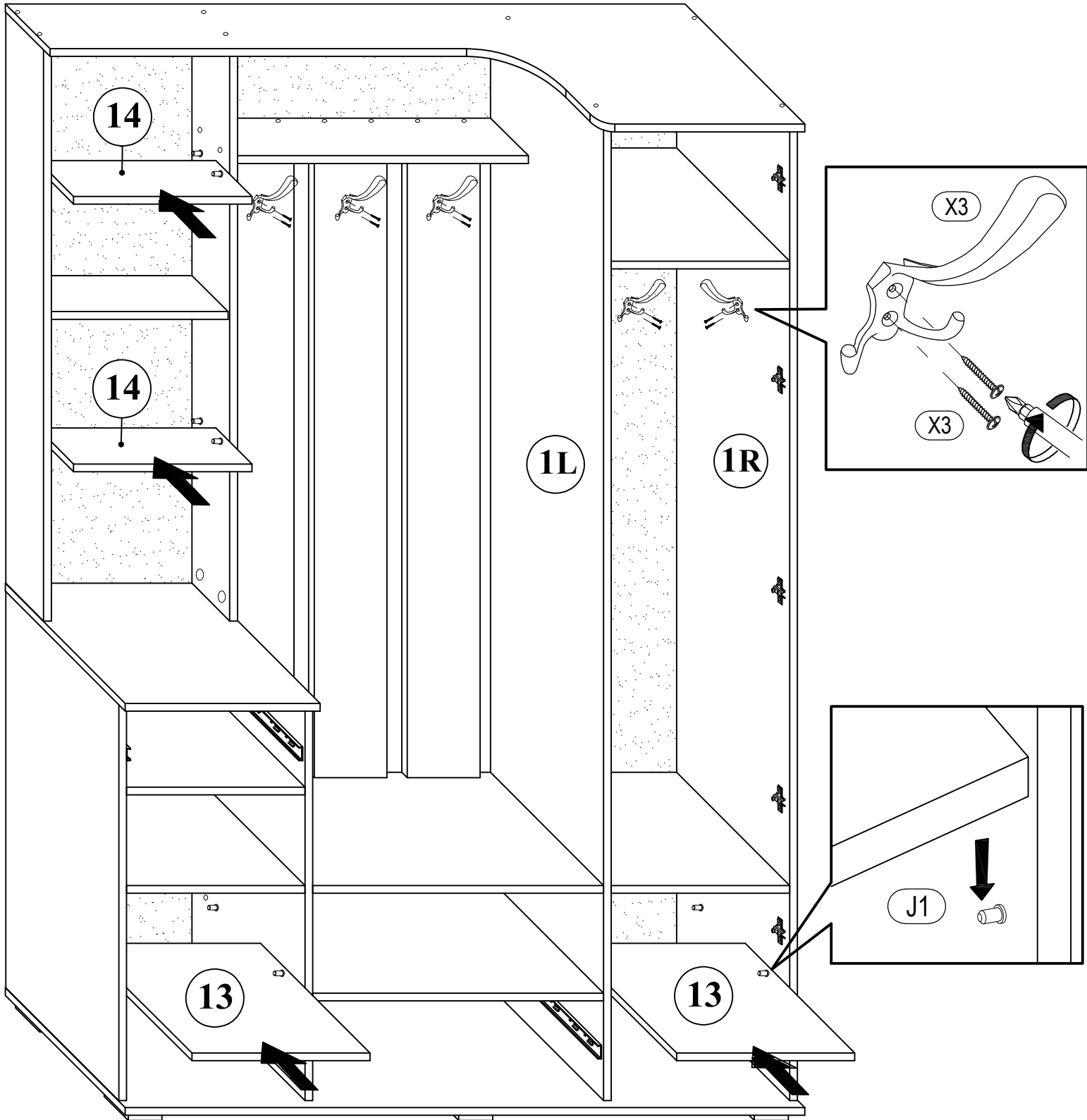
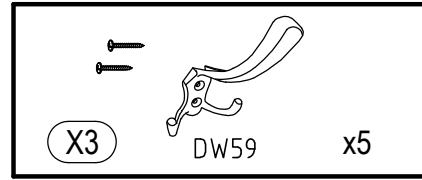



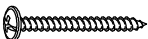
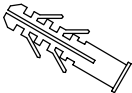
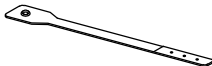
 E5 3,5*16mm x8	 F3 6,3*13mm x22	 L1 x11
		 M2 L-300mm x2

10

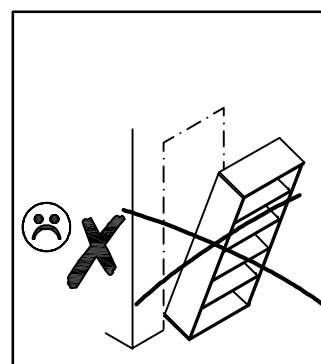
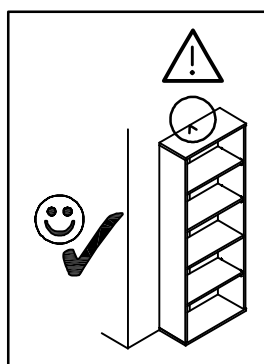
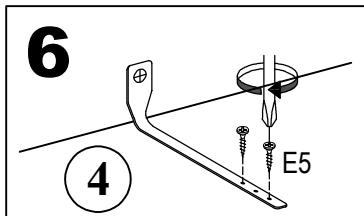
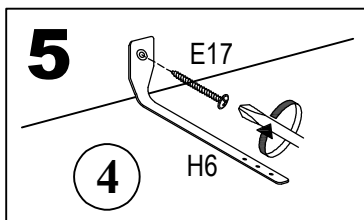
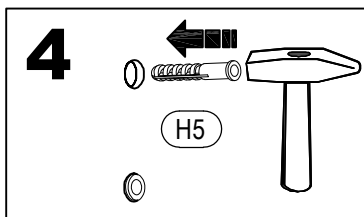
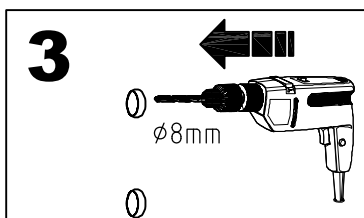
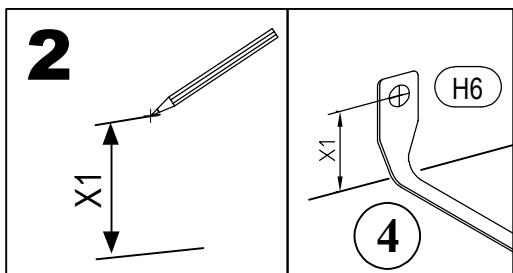
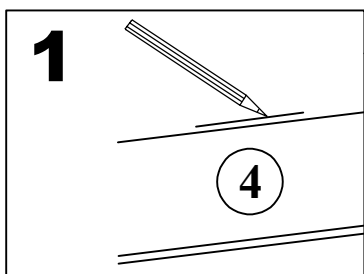
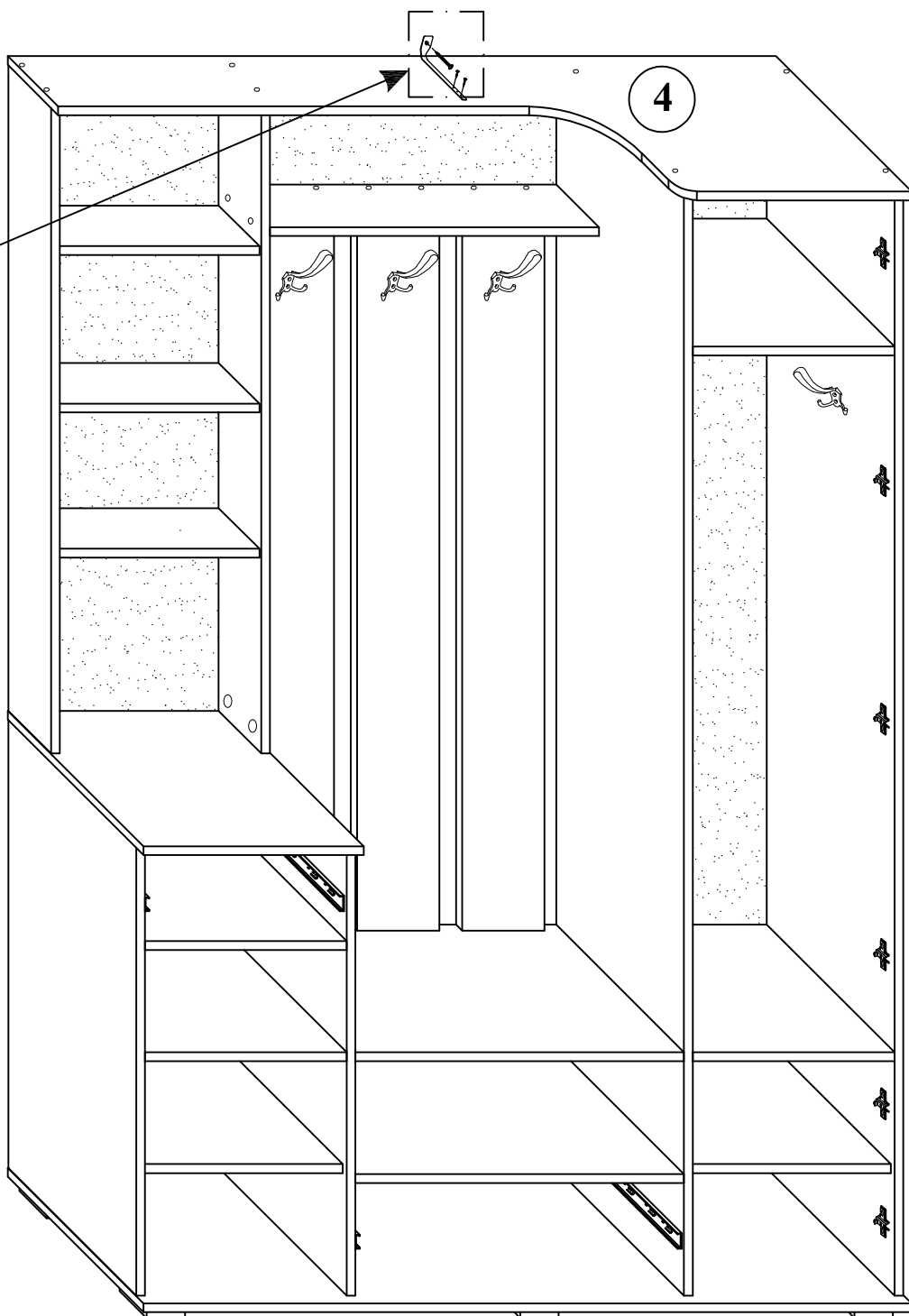


11

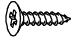
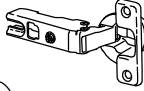


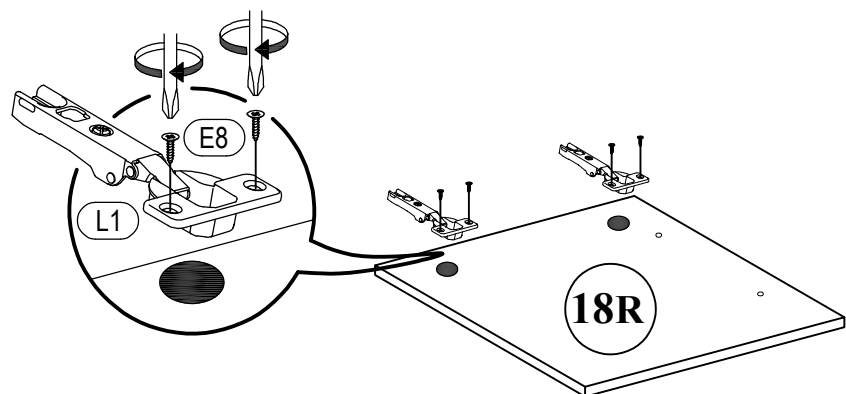
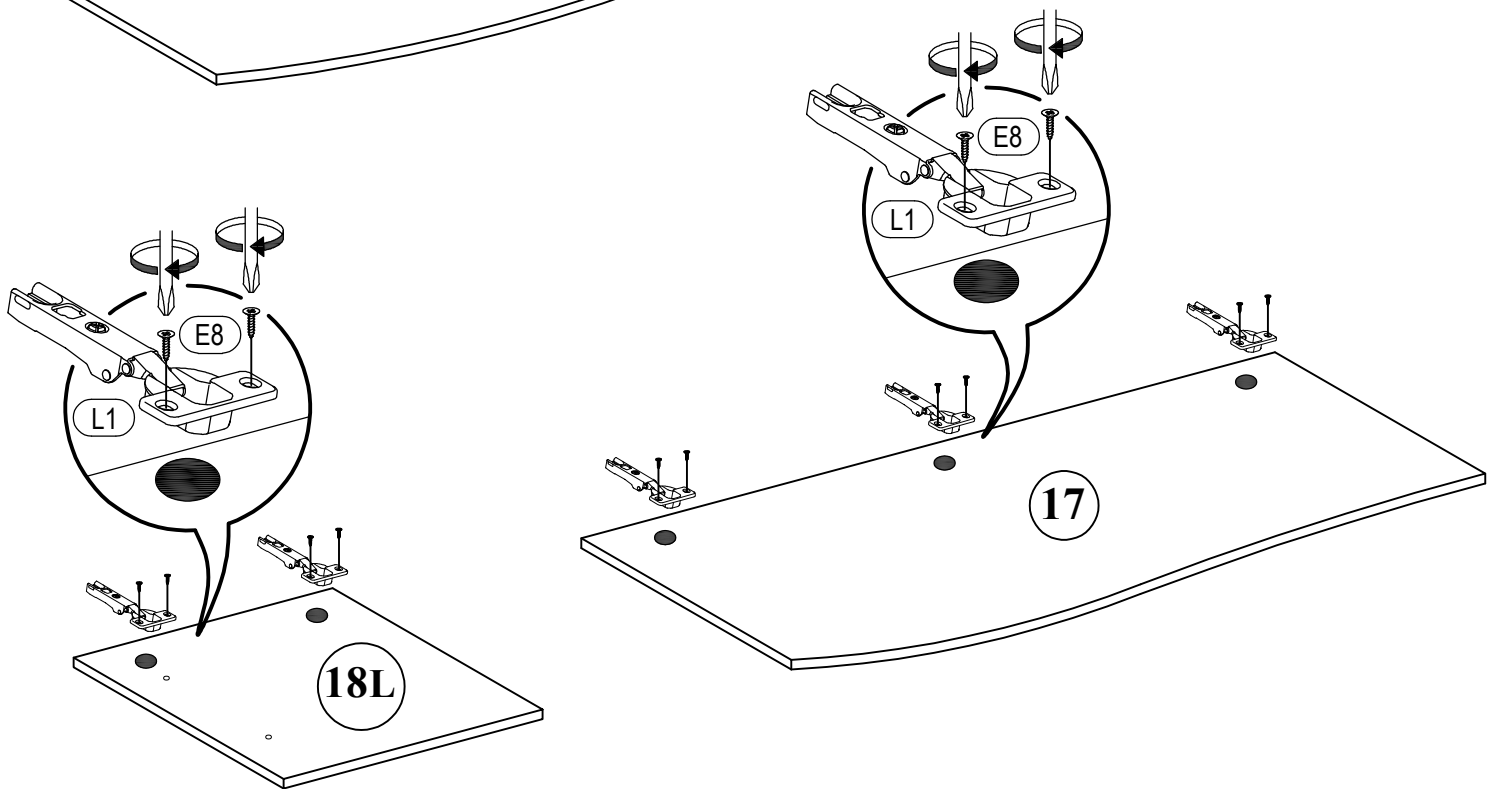
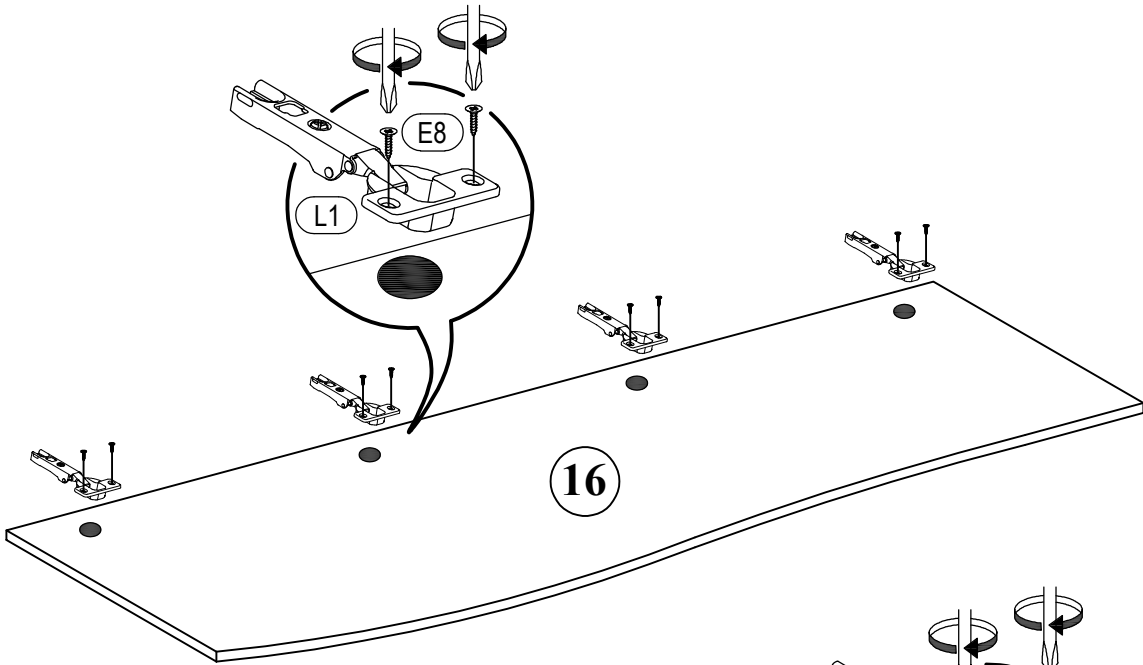
 <p>E5 3,5*16mm x2</p>	 <p>E17 4,2*41mm x1</p>	 <p>H5 8*40mm x1</p>	 <p>H6 x1</p>
--	---	--	---



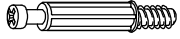

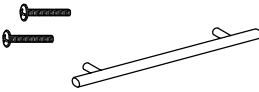
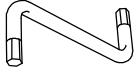
12



13

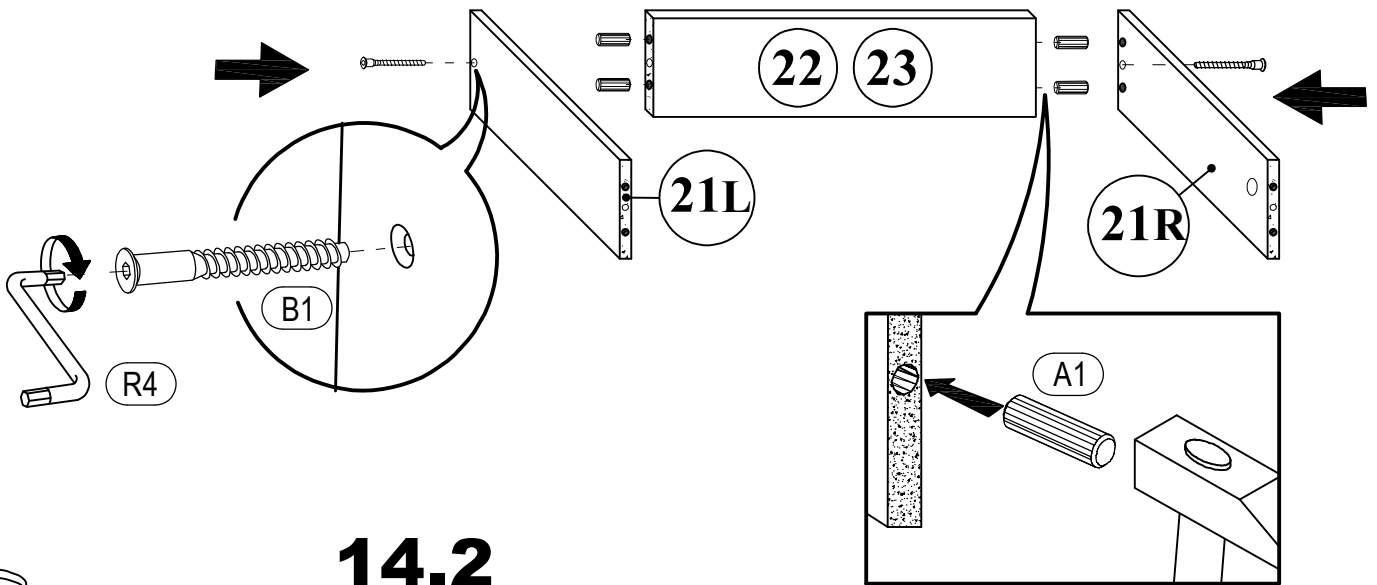
 <p>(E8) 4*16mm x20</p>	 <p>(L1) x10</p>
--	---



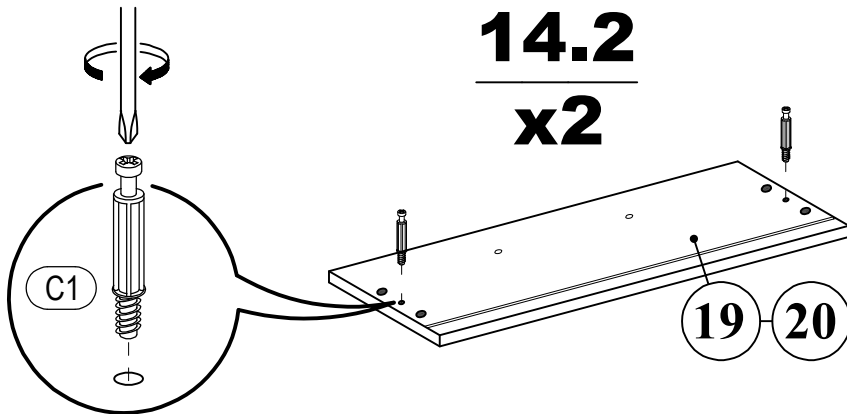
 A1 8*30mm x8	 B1 6,3*50mm x4	 C1 5*30mm x2
 H1 M 4 x4	 I11 192mm x2	 R4 N°4

14

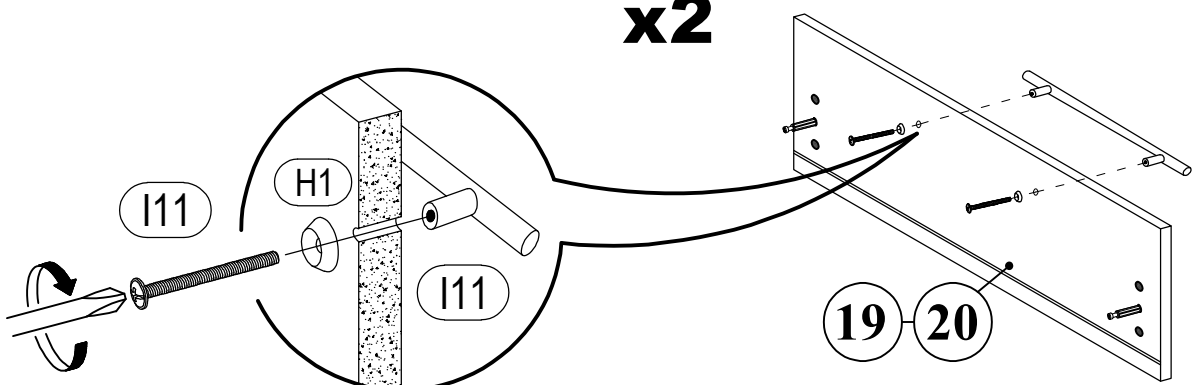
14.1 x2





14.2 x2



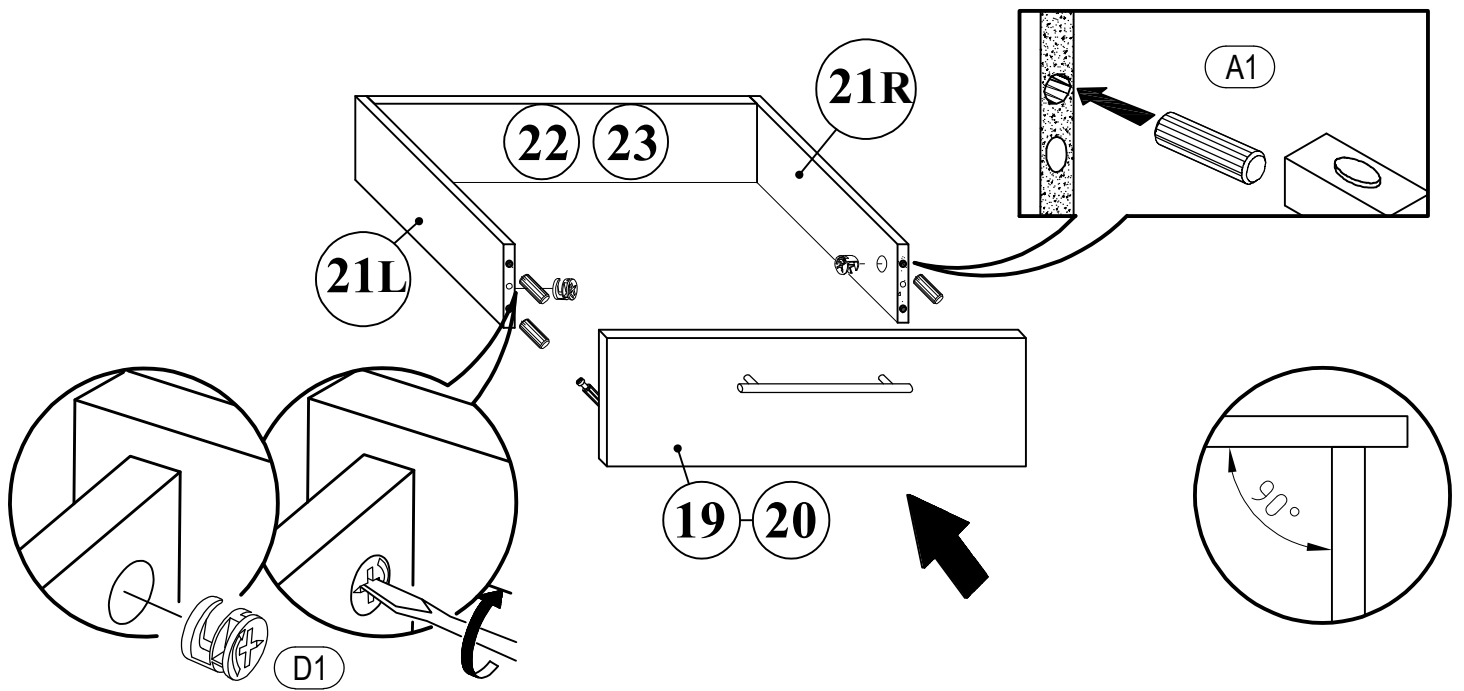
14.3 x2



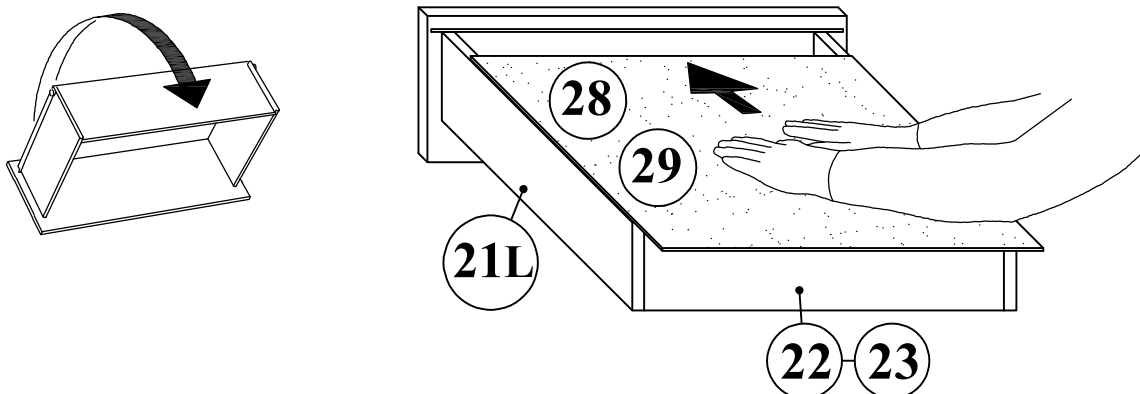
 A1 8*30mm x8	 D1 16mm x4
---	---

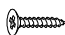
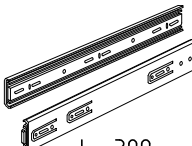

14

14.4 x2



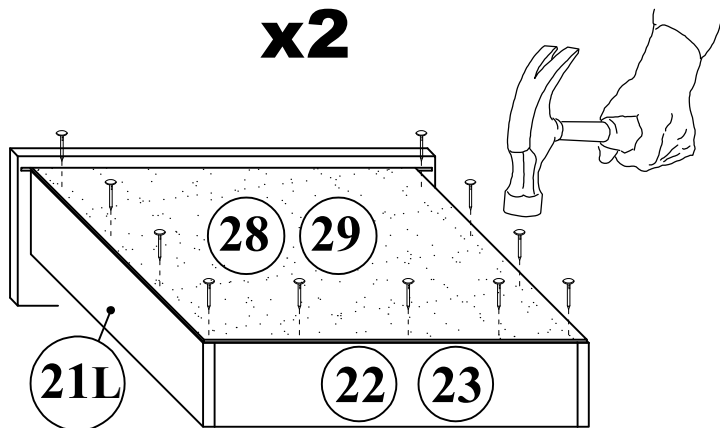
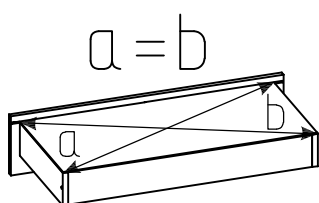
14.5 x2



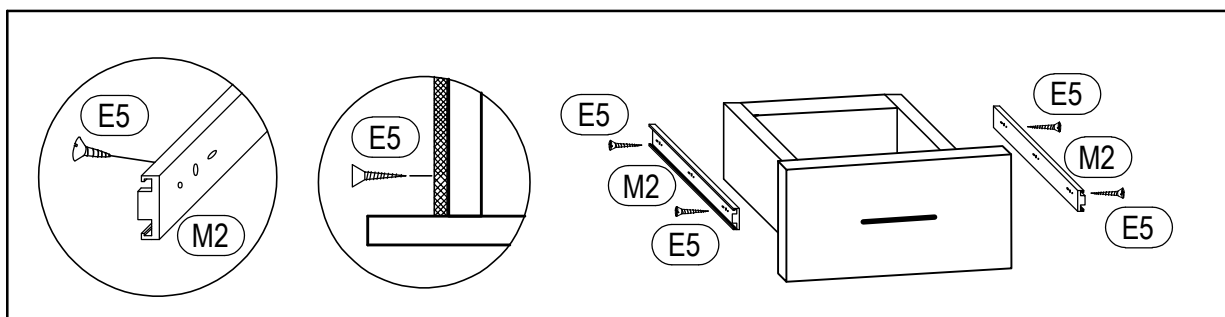
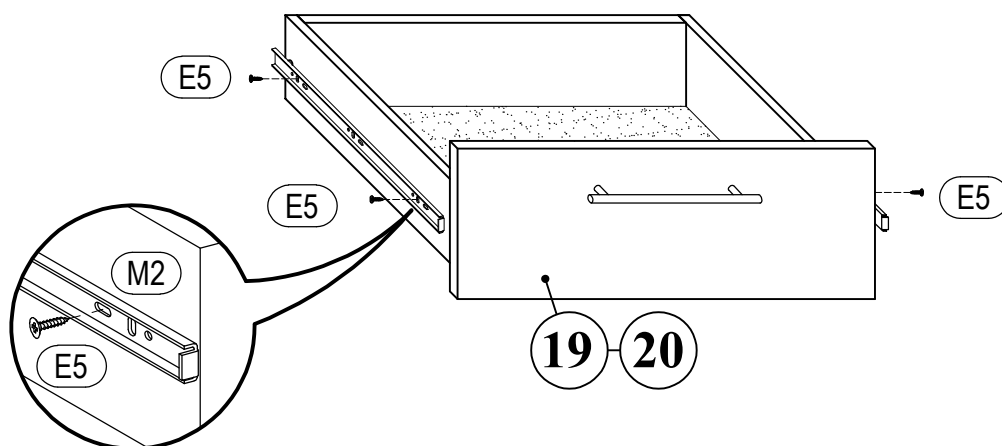
 <p>E5 3,5*16mm x8</p>	 <p>M2 L-300 x2</p>	 <p>R3 1.4*25MM 0.010kg</p>
--	--	---

14

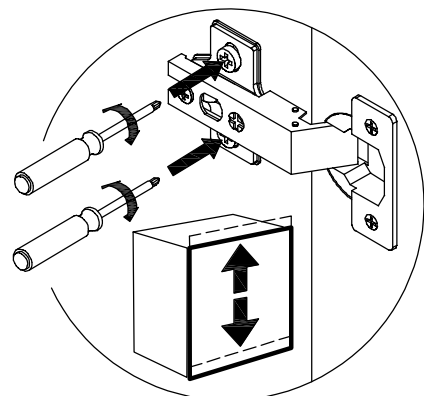
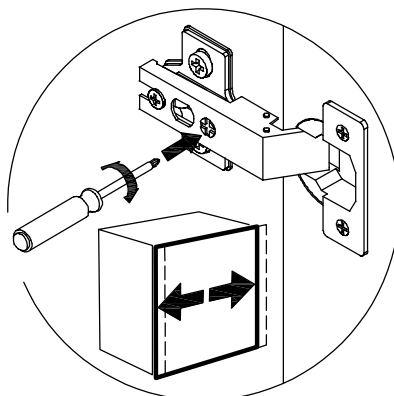
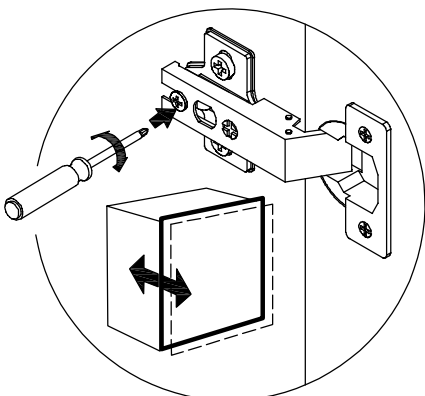
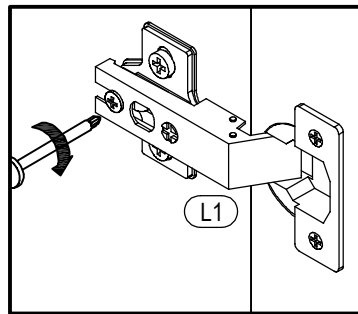
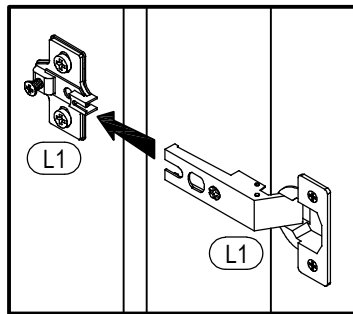
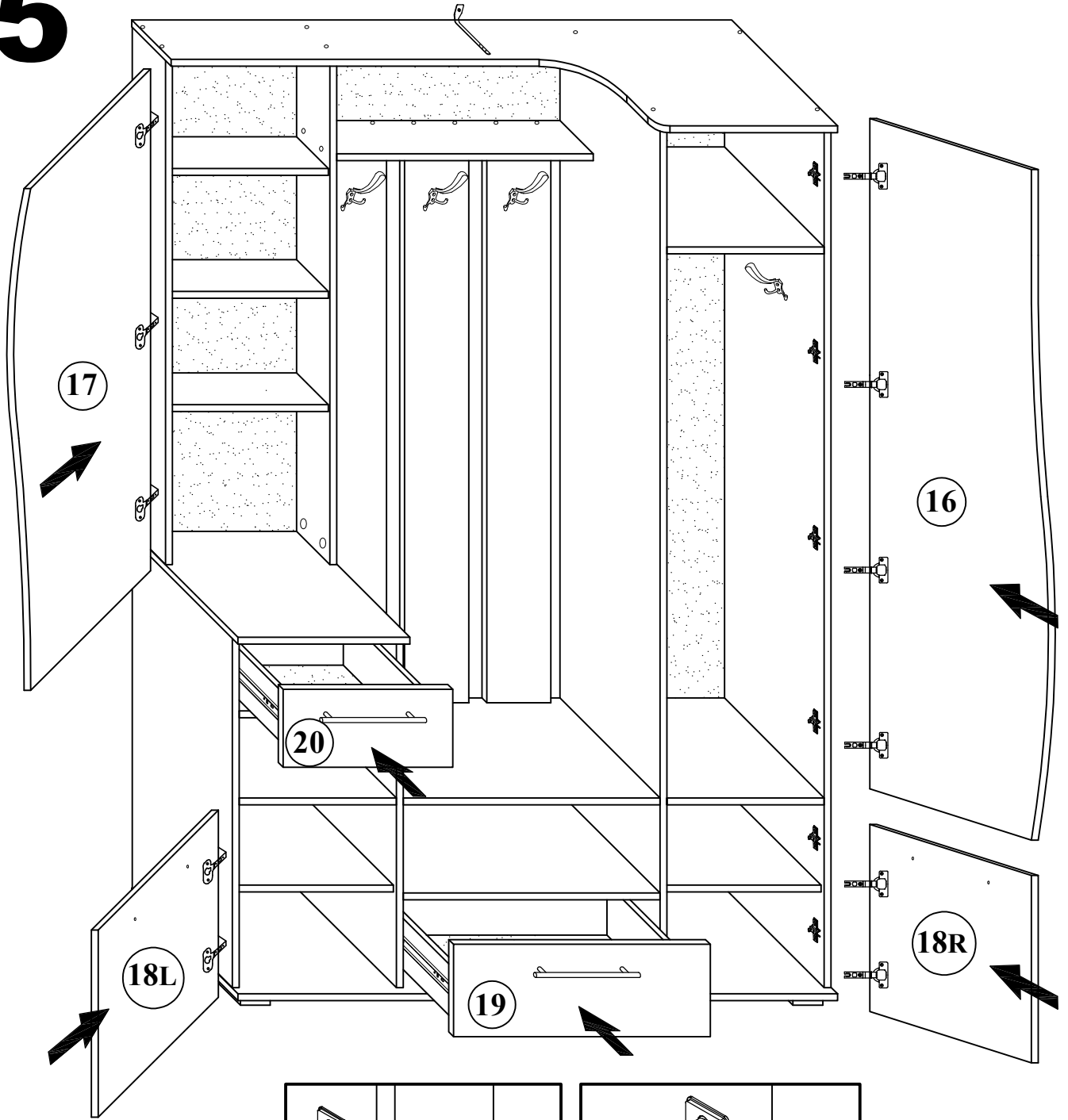
14.6 x2






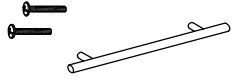

14.7 x2

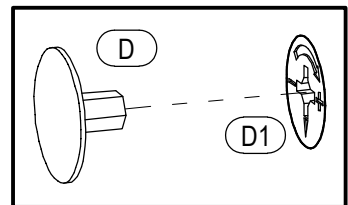
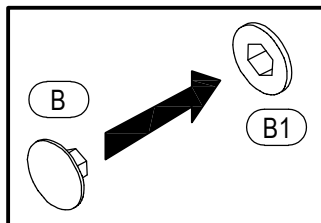
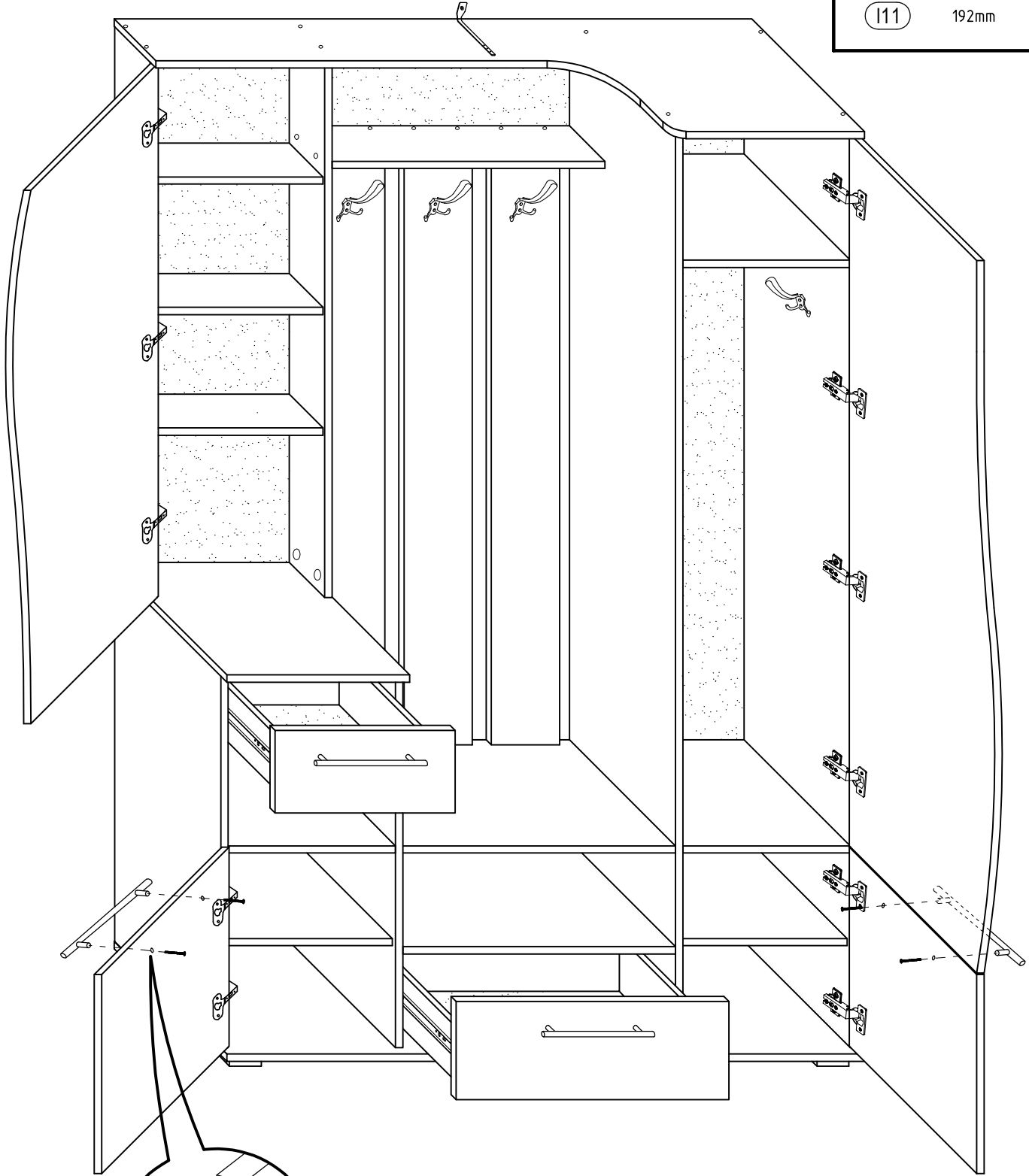


15



16

 B	x25	 D	x4	 H1	M 4	x6
						
				 I11	192mm	x2



17

