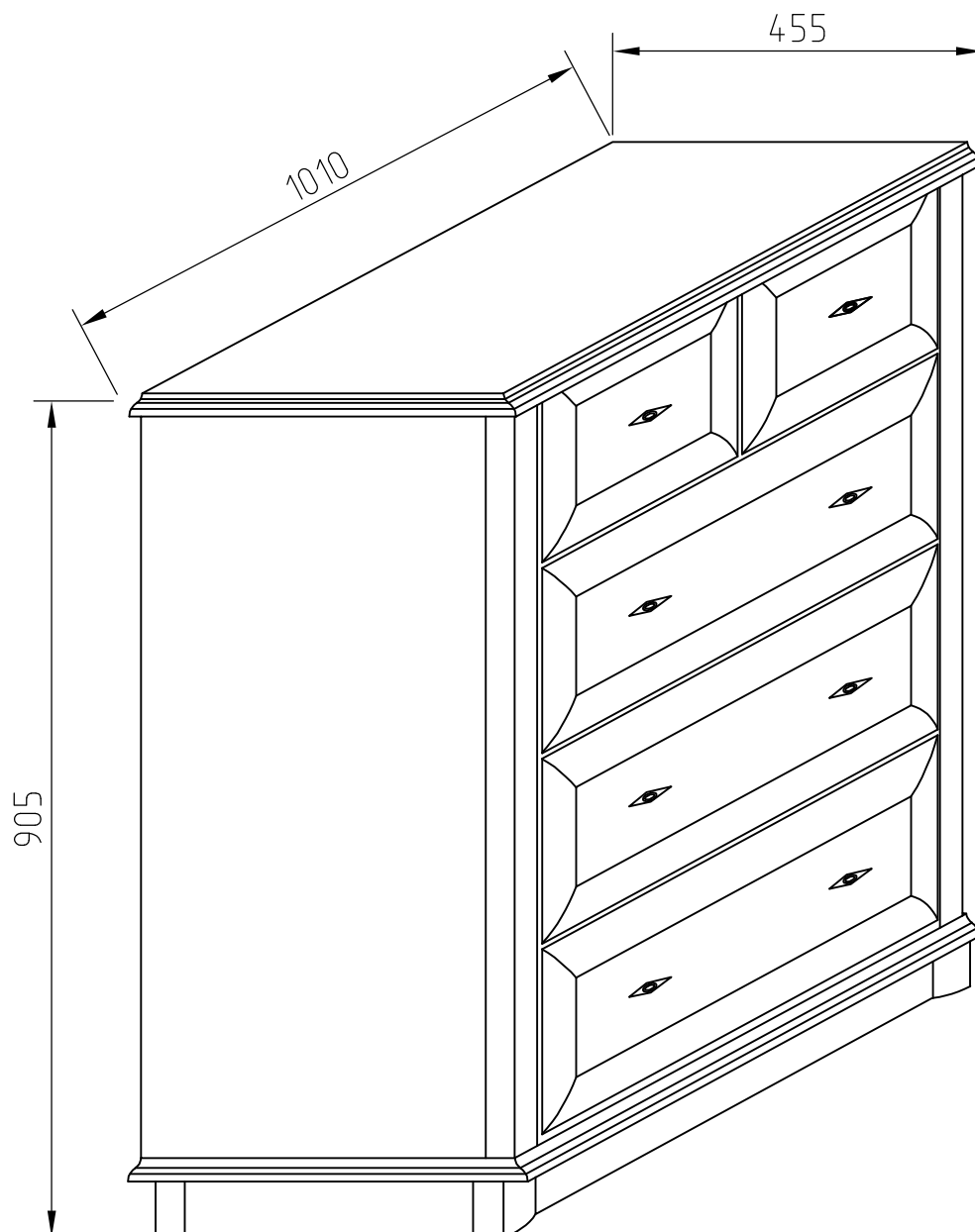
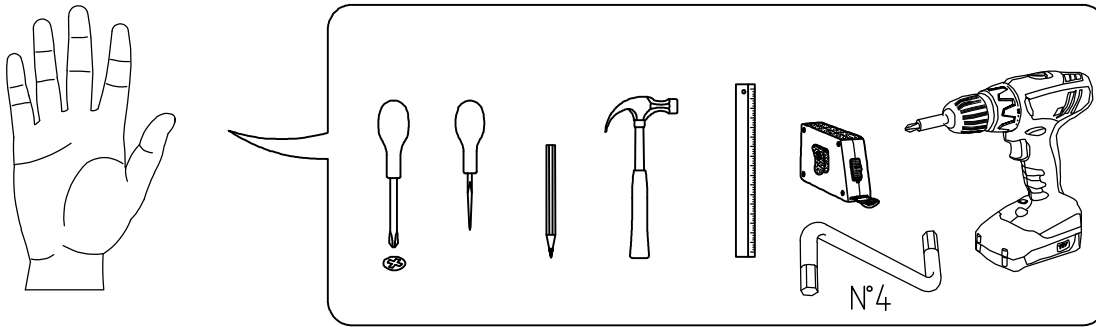

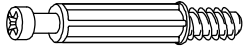
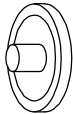


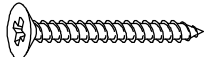
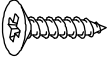



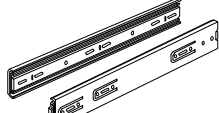
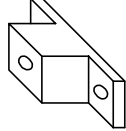
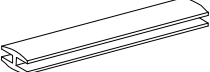
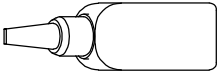



**"КАНТРИ"
"COUNTRY"
КОМОД 100
CHEST OF DRAWERS 100**

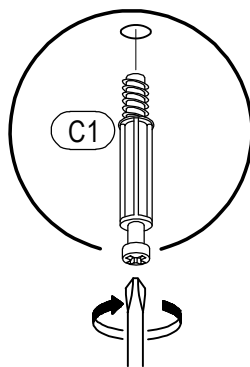
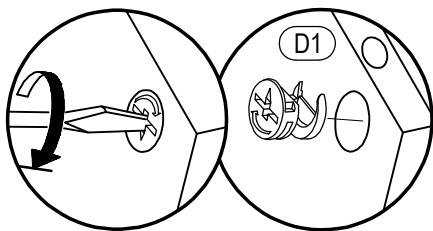
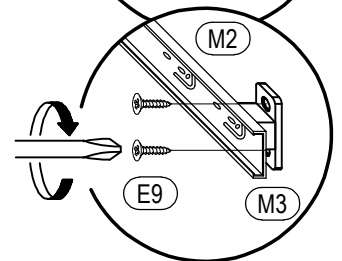
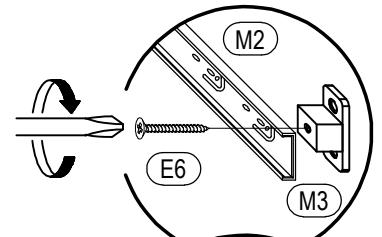
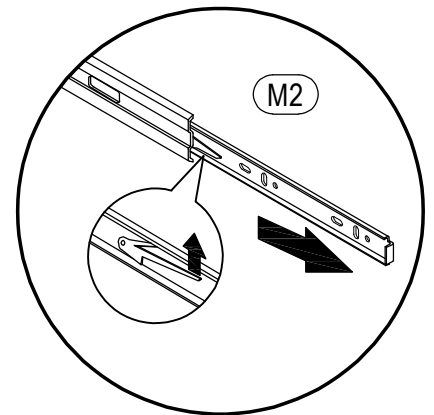
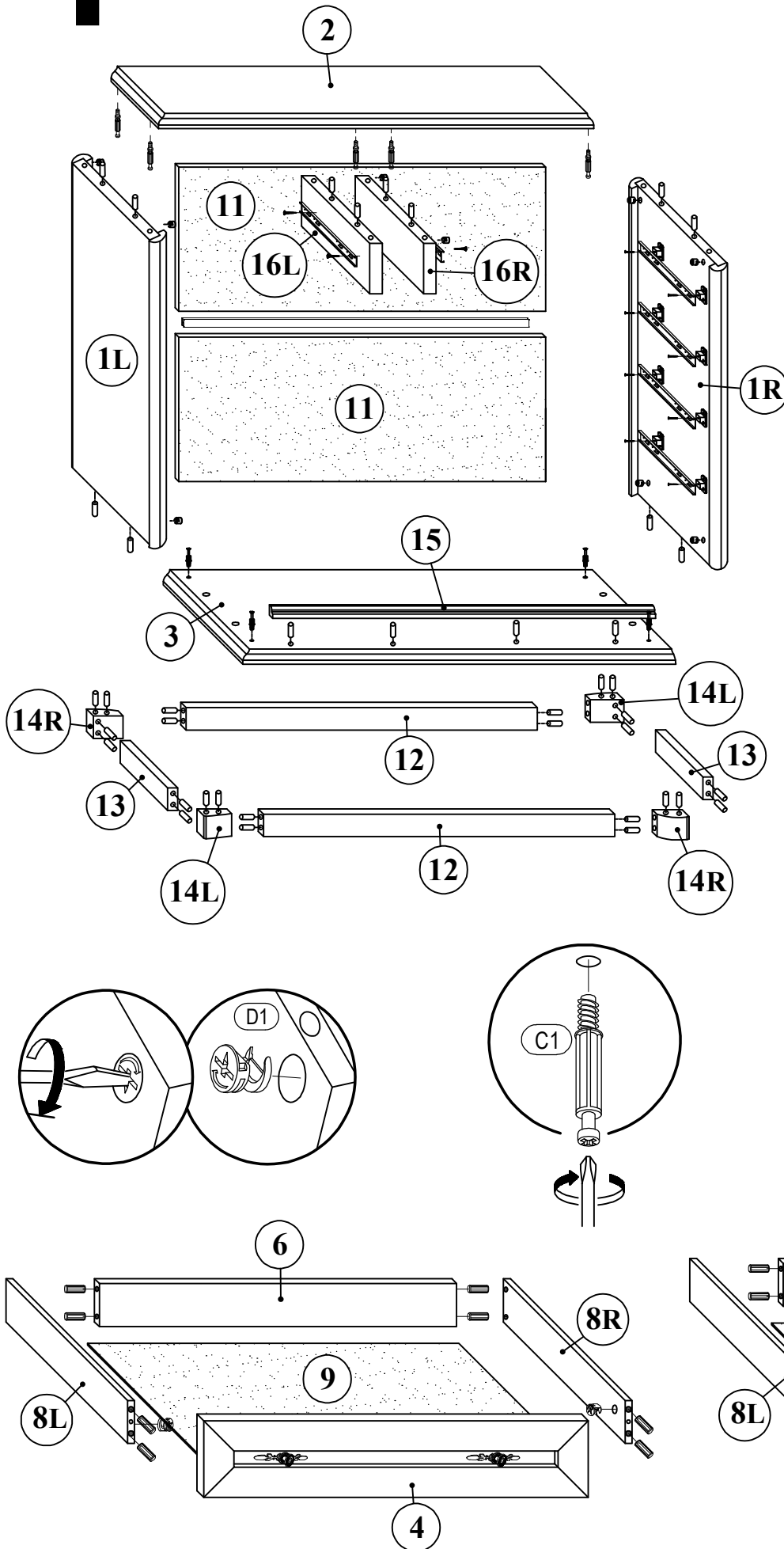
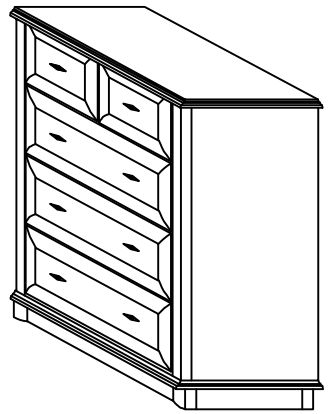



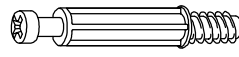





 A1 8*30mm x80	 C1 5*30mm x22	 D x22
 D1 16mm x22	 E4 3,5*16mm x36	 E6 3,5*35mm x16
 E9 4*16mm x32	 G6 M 4*16mm x8	 H1 M 4 x8
 I20 x8	 M2 L-400mm x5	 M3 x16
 P4 L- 898mm x1	 R1 x1	 R3 1.4*25mm 0.050kg

No	a*b	x	N°→...
1L	776x420	x1	
1R	776x420	x1	
2	1010x450	x1	
3	1010x450	x1	
4	894x180	x1	
5L	445x180	x1	
5R	445x180	x1	
6	826x120	x3	
7	368x120	x2	
8L	400x120	x5	
8R	400x120	x5	
9	404x858	x3	
10	404x400	x2	
11	964x413	x2	
12	846x65	x2	
13	368x65	x2	
14L	80x40x65	x2	
14R	80x40x65	x2	
15	40x22x898	x1	
16L	190x401	x1	
16R	190x401	x1	

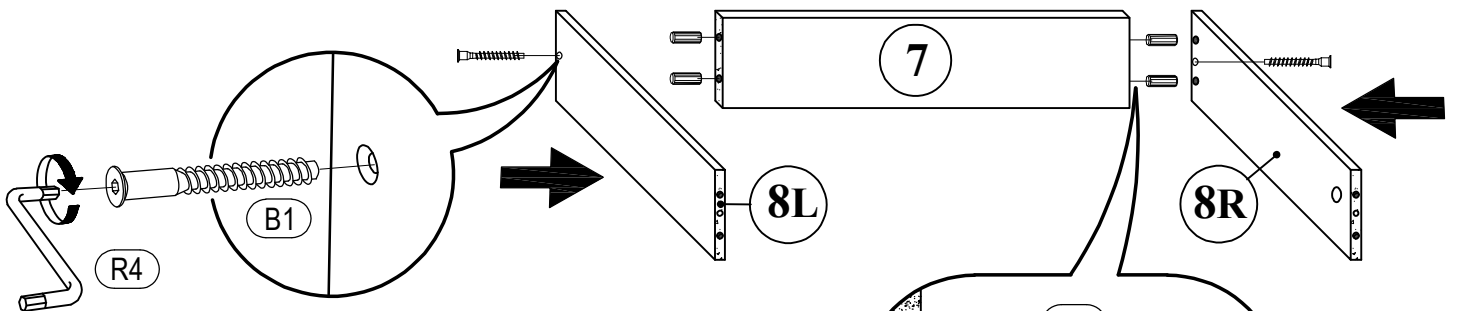
1



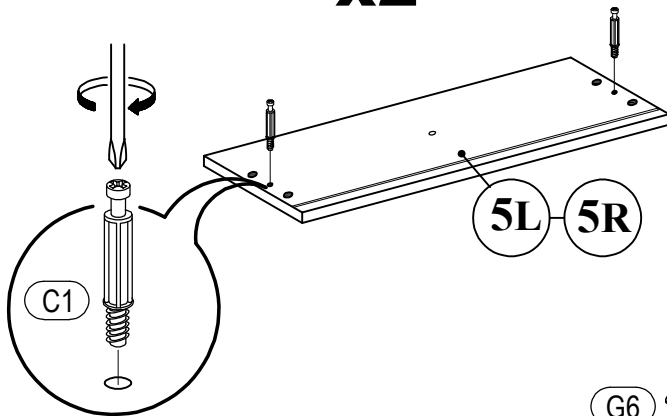
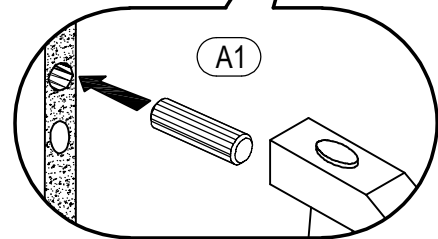
 (A1) 8*30mm x8	 (C1) 5*30mm x4	 (G6) M 4*16mm x2
 (H1) M 4 x2	 (I20) x2	

2

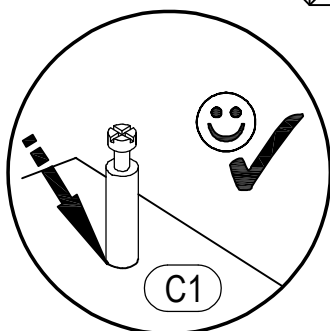
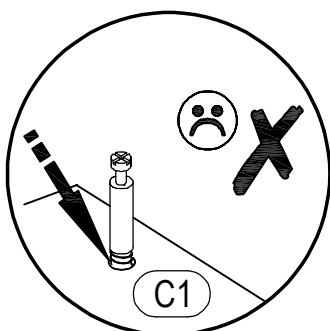
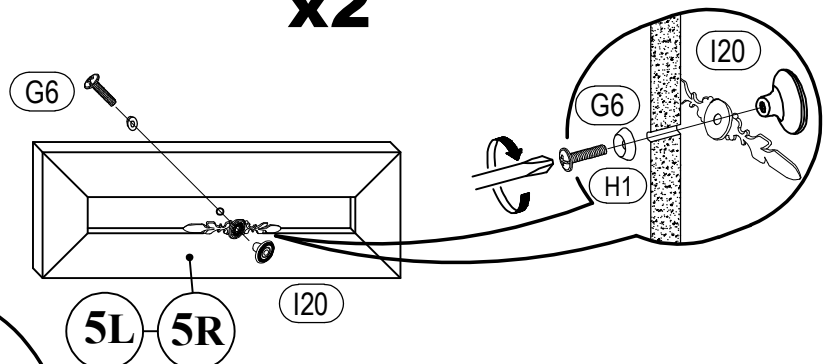
2.1
x2





2.2
x2



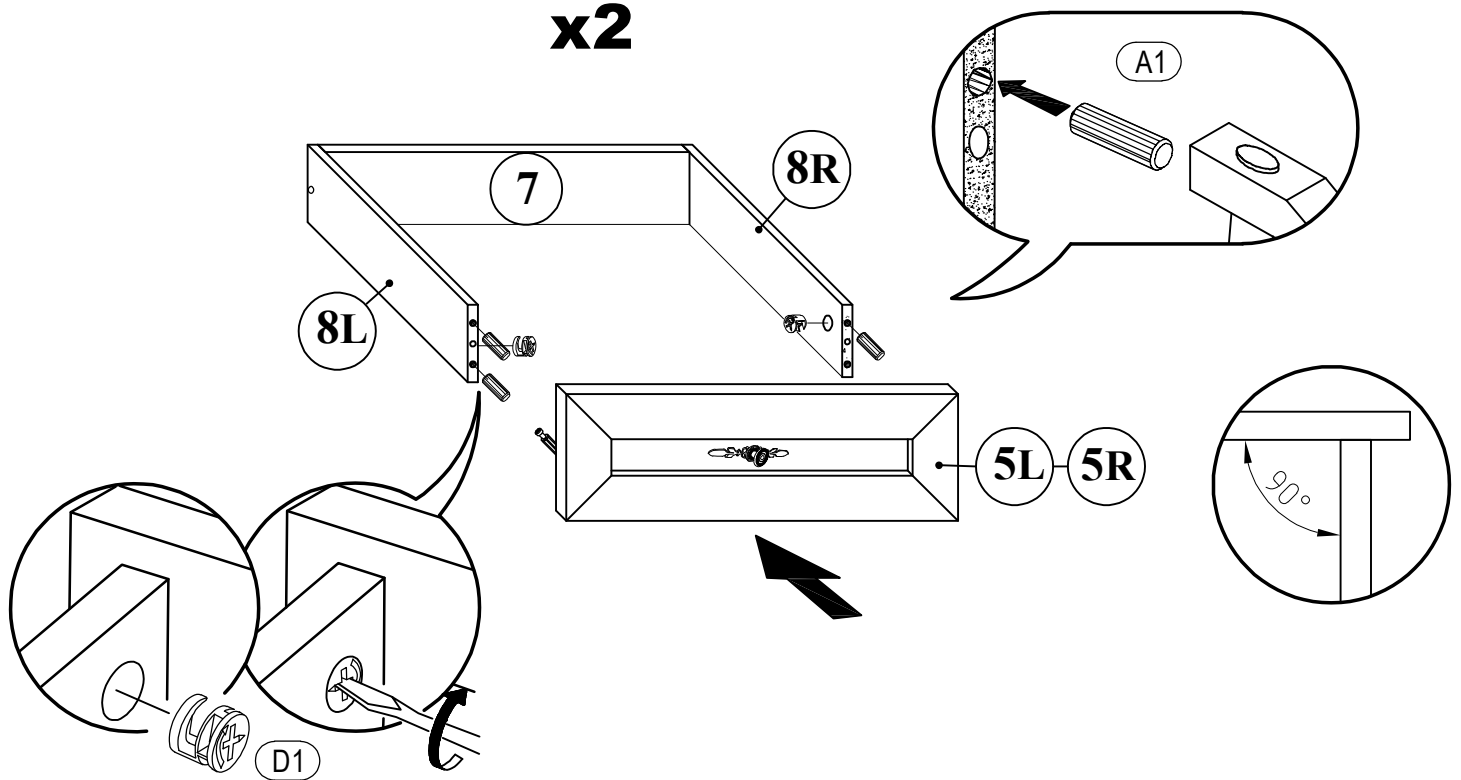
2.3
x2



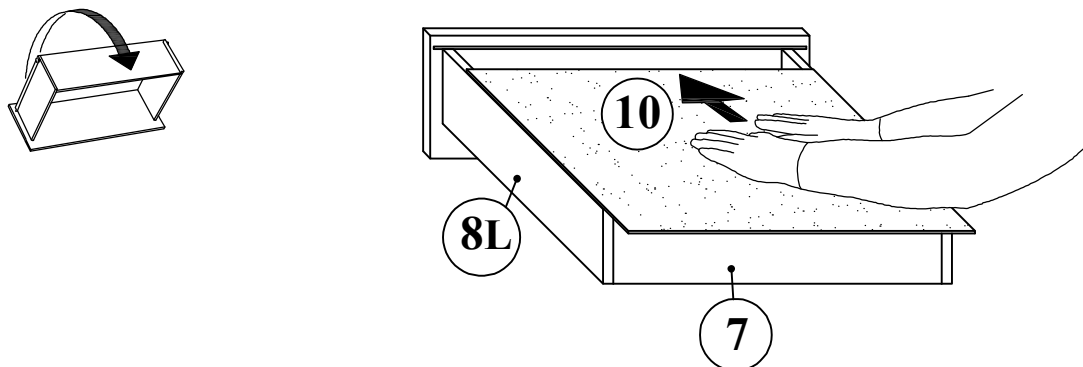
 (A1) 8*30mm x8	 (D1) 16mm x4
---	--

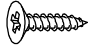
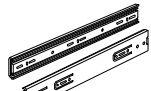
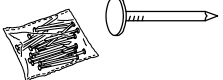
2

2.4 x2



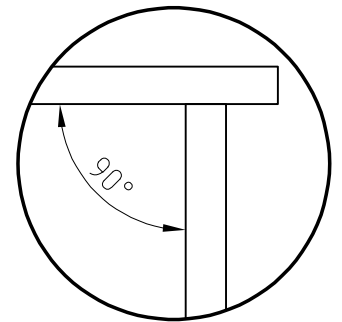
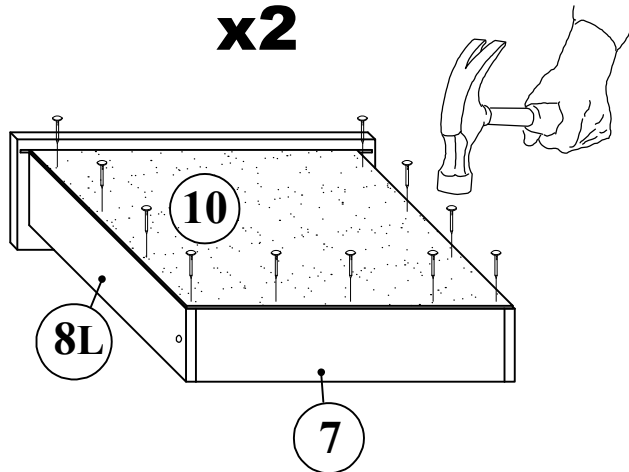
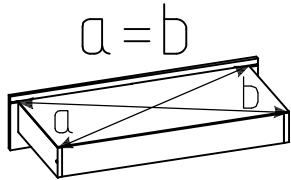
2.5 x2



 (E4) 3,5*16mm x8	 (M2) L- 400mm x2	 (R3) 1.4*25MM 0.010kg
---	---	--

2

2.6 x2



2.7 x2

