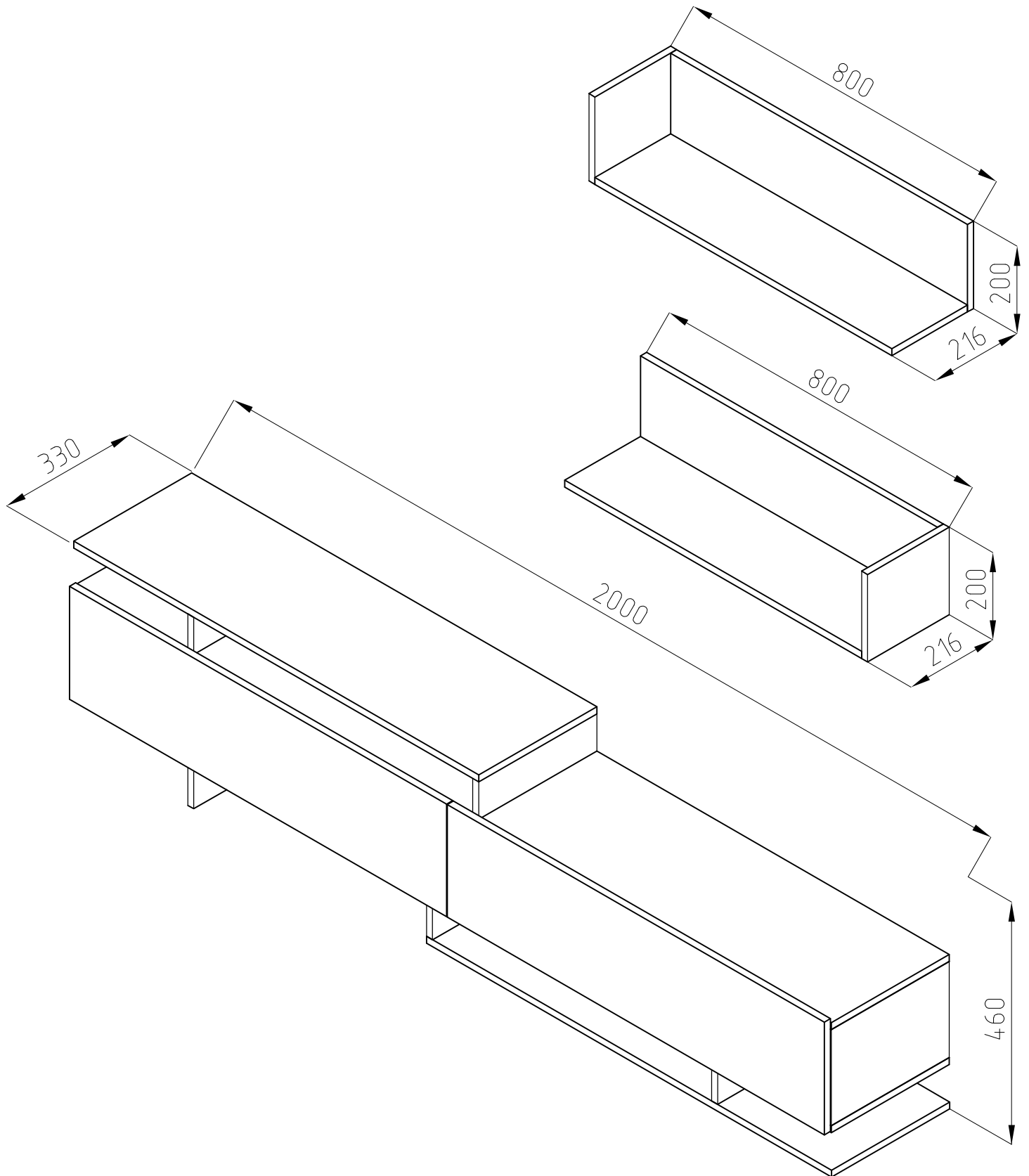
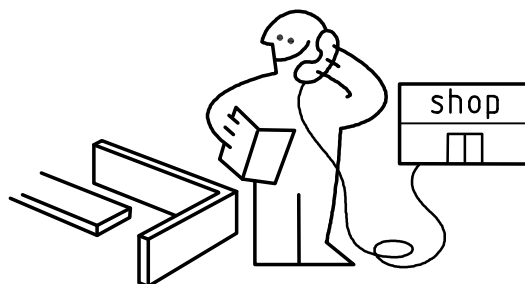
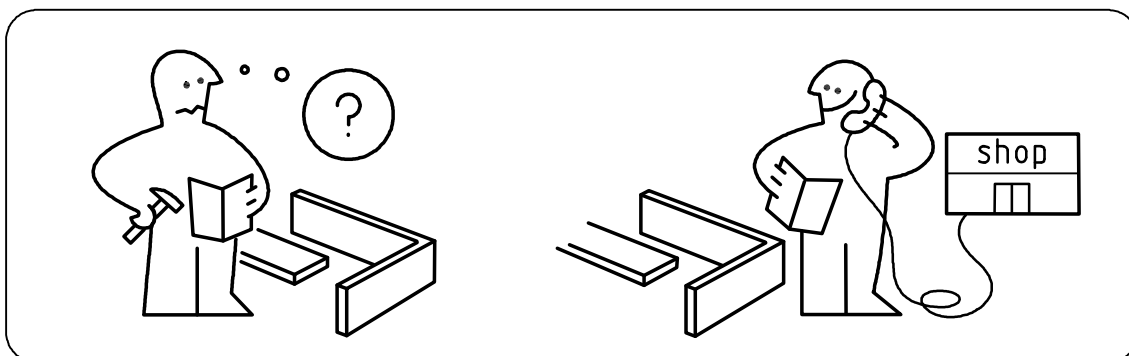
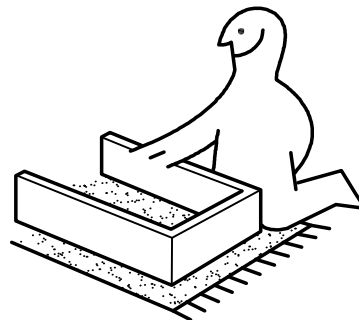
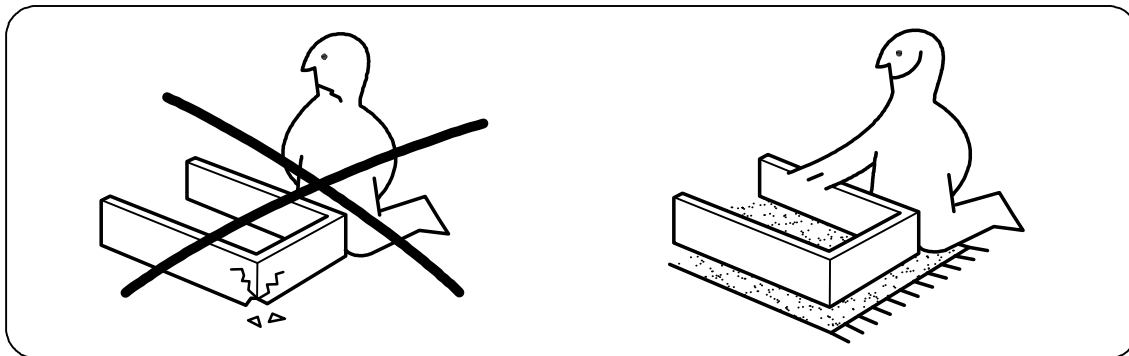
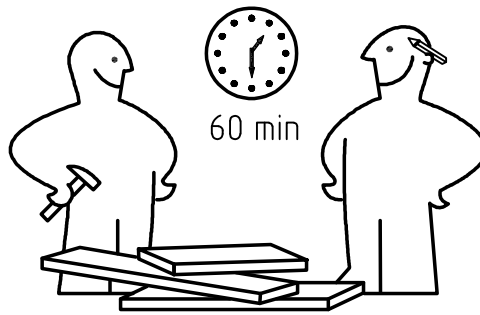
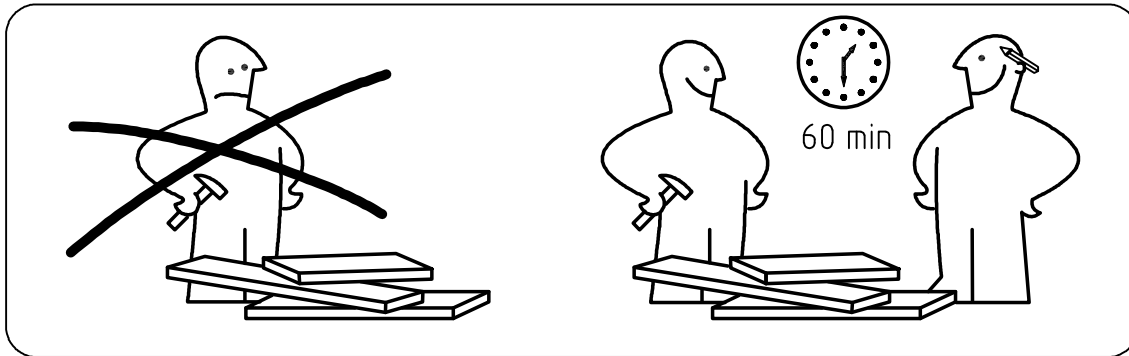
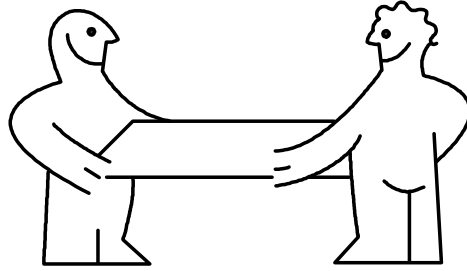
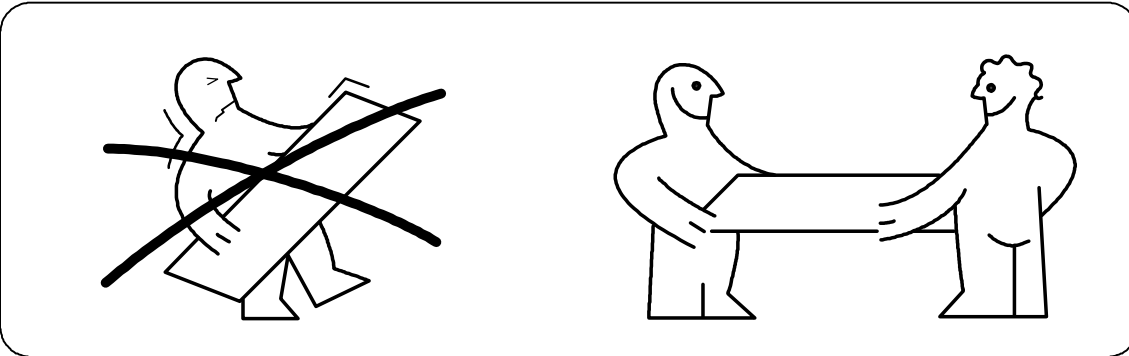
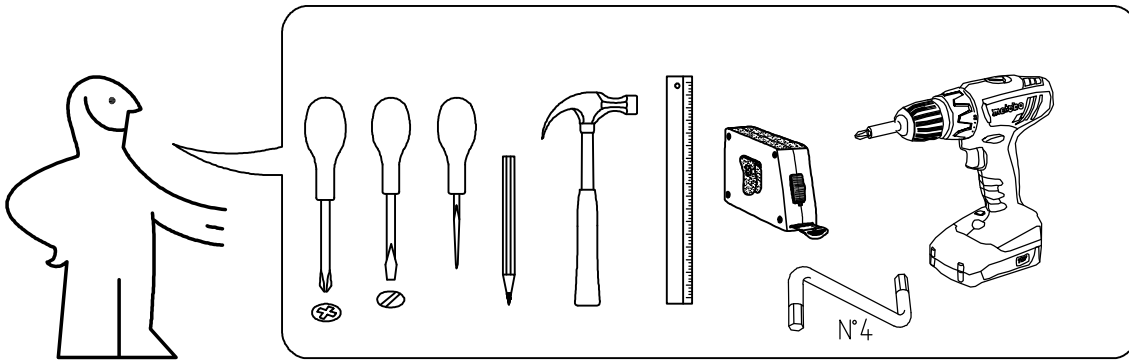
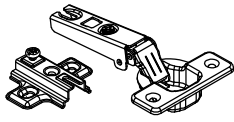
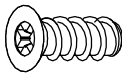
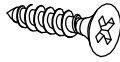
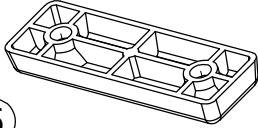
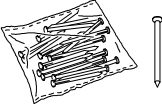

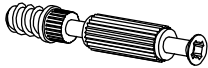
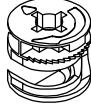

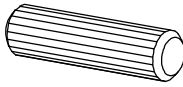
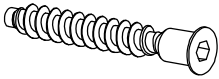




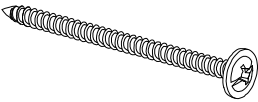


# Orlando 2

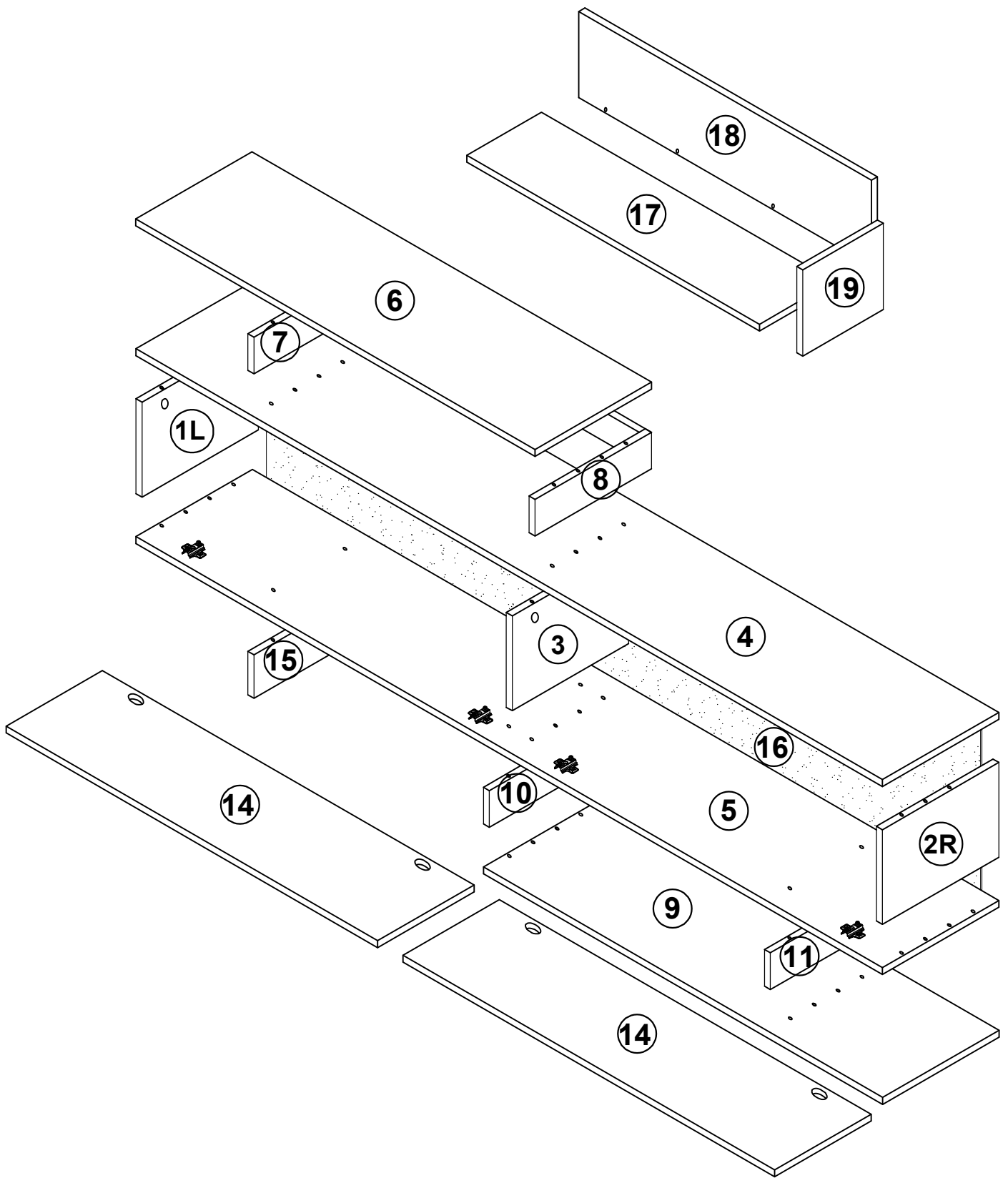
---

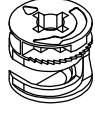
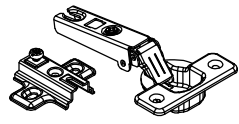
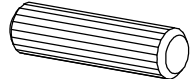

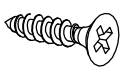


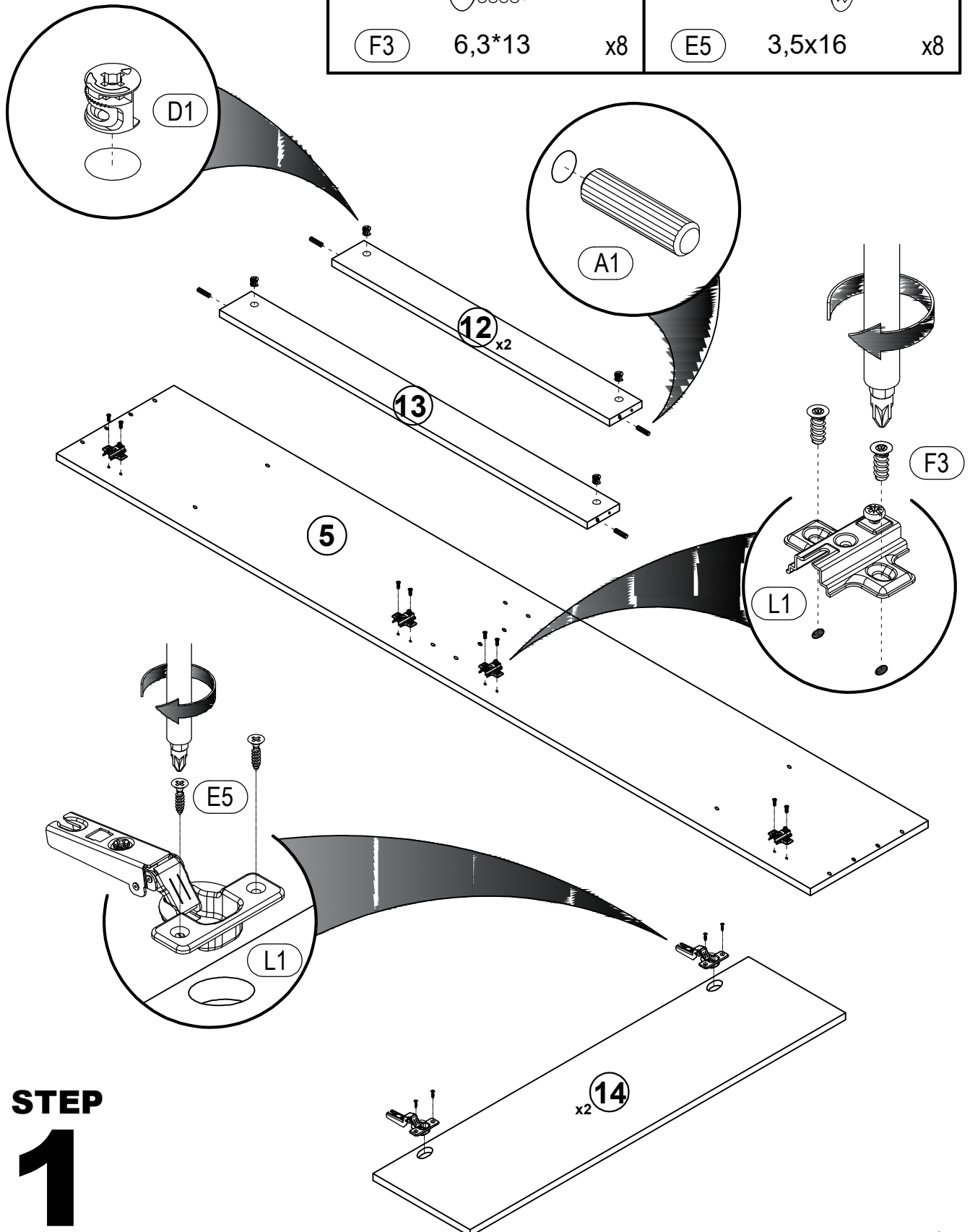


 L1 x4	 F3 6,3*13 x8	 E5 3,5x16 x20
 K15 x6	 R3 20g	 U3 x4
 C1 6x43mm x24	 D1 15/16 x24	 D Ø20mm x24
 A1 8*30mm x36	 B1 x28	 B Ø12mm x28
 H14 x4	 F4 5*9 x8	 H5 8*50mm x4
 E22 4,2*65mm x4		


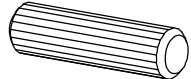
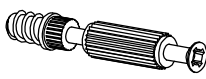
No	a*b	x	No	a*b	x
1	312x220	1	11	312x85	1
2	312x220	1	12	737x85	2
3	312x220	1	13	975x85	1
4	2000x312	1	14	996x258	2
5	2000x312	1	15	312x101	1
6	1070x312	1	16	1994x248	1
7	312x85	1	17	784x200	2
8	312x85	1	18	784x200	2
9	1070x312	1	19	216x200	2
10	312x85	1			

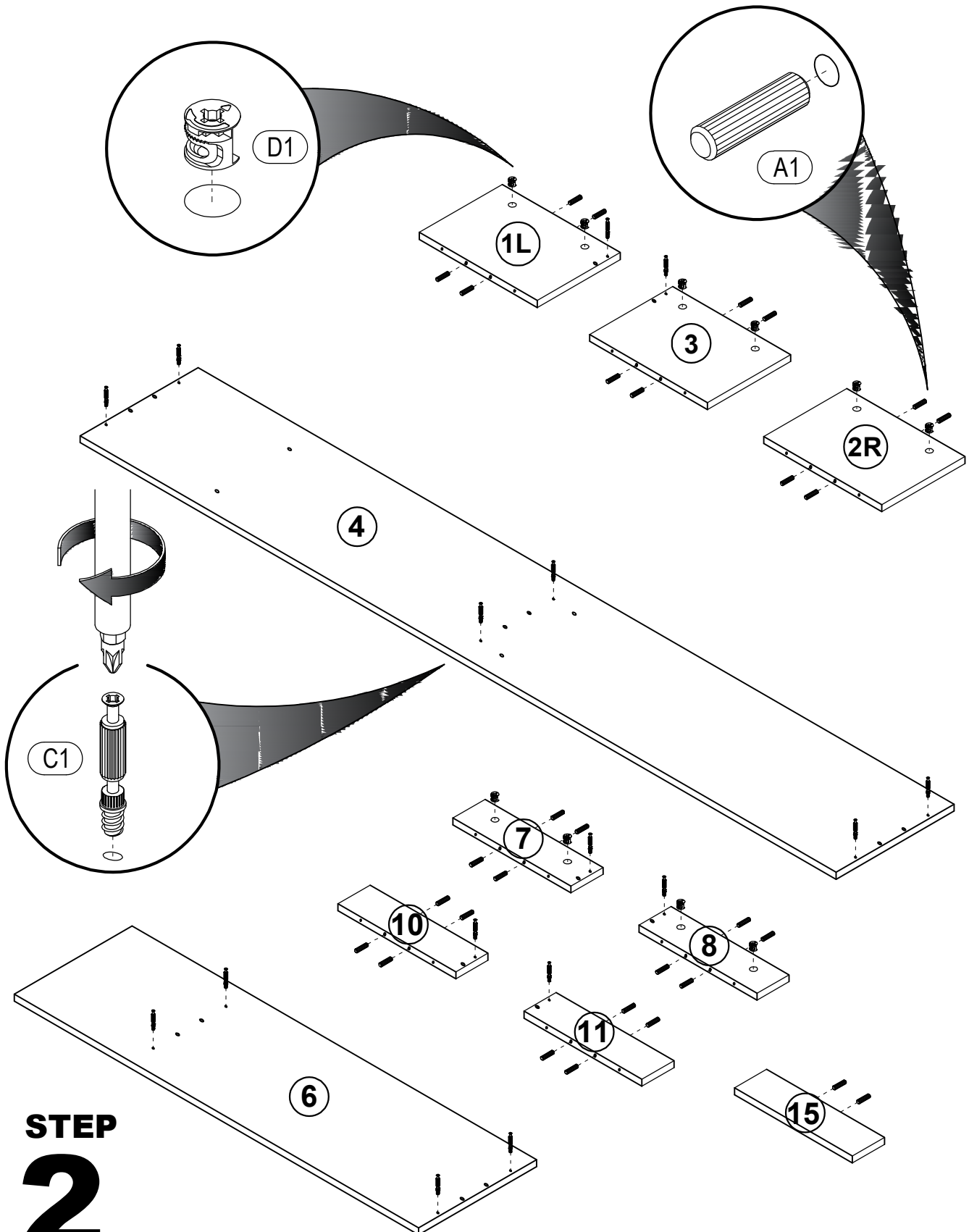


 <p>(D1) 15/16 x6</p>	 <p>(L1) x4</p>	 <p>(A1) 8*30mm x6</p>
 <p>(F3) 6,3*13 x8</p>	 <p>(E5) 3,5x16 x8</p>	



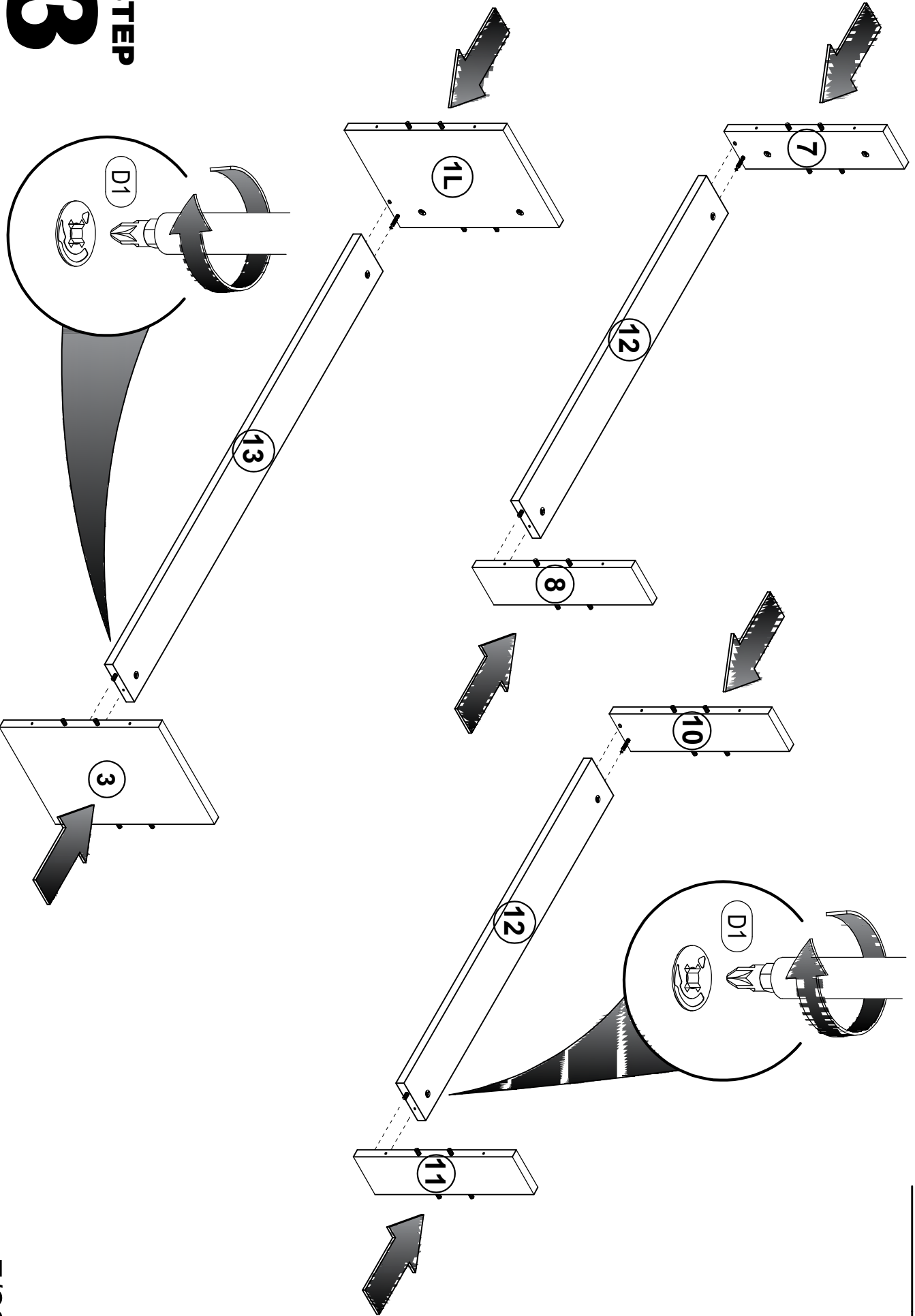
**STEP**  
**1**

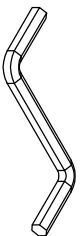
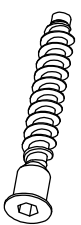
 <p>D1 15/16 x10</p>	 <p>A1 8*30mm x30</p>	 <p>C1 6x43mm x16</p>
---	--	--

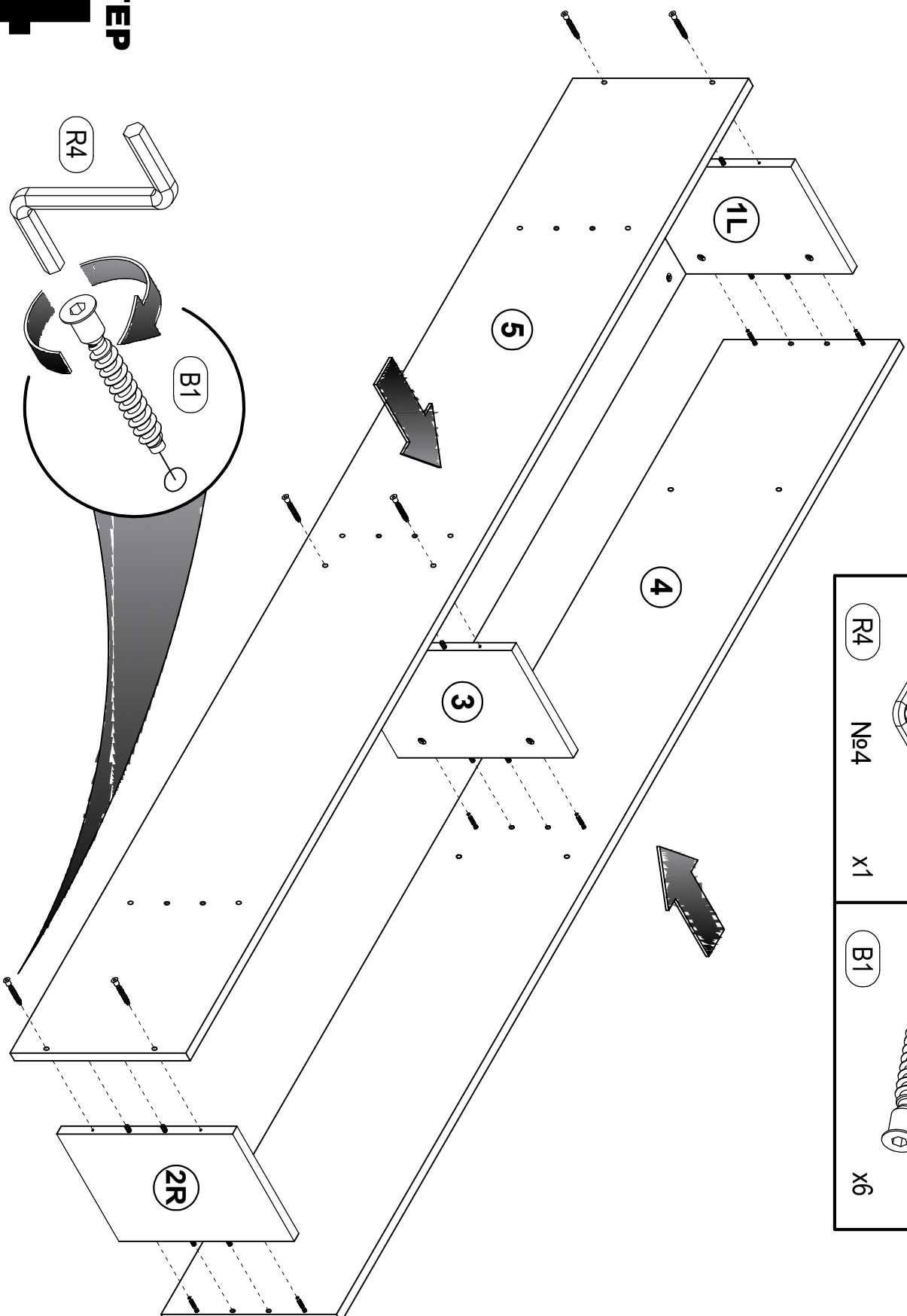


**STEP**  
**2**

# STEP 3

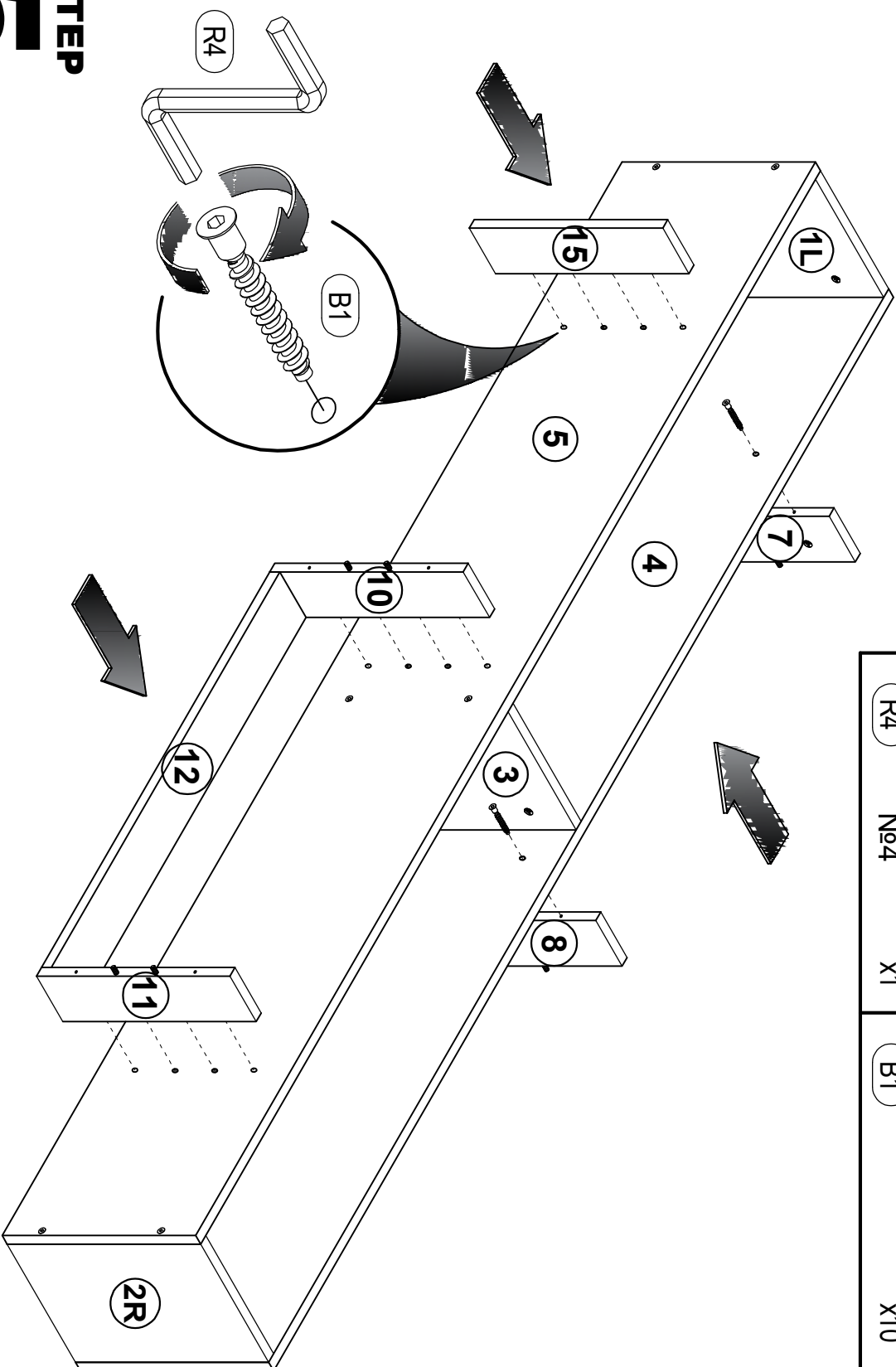


 R4	Nº4 x1	 B1	x6
---	-----------	---	----



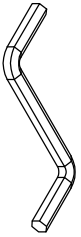
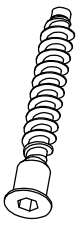
# STEP 4

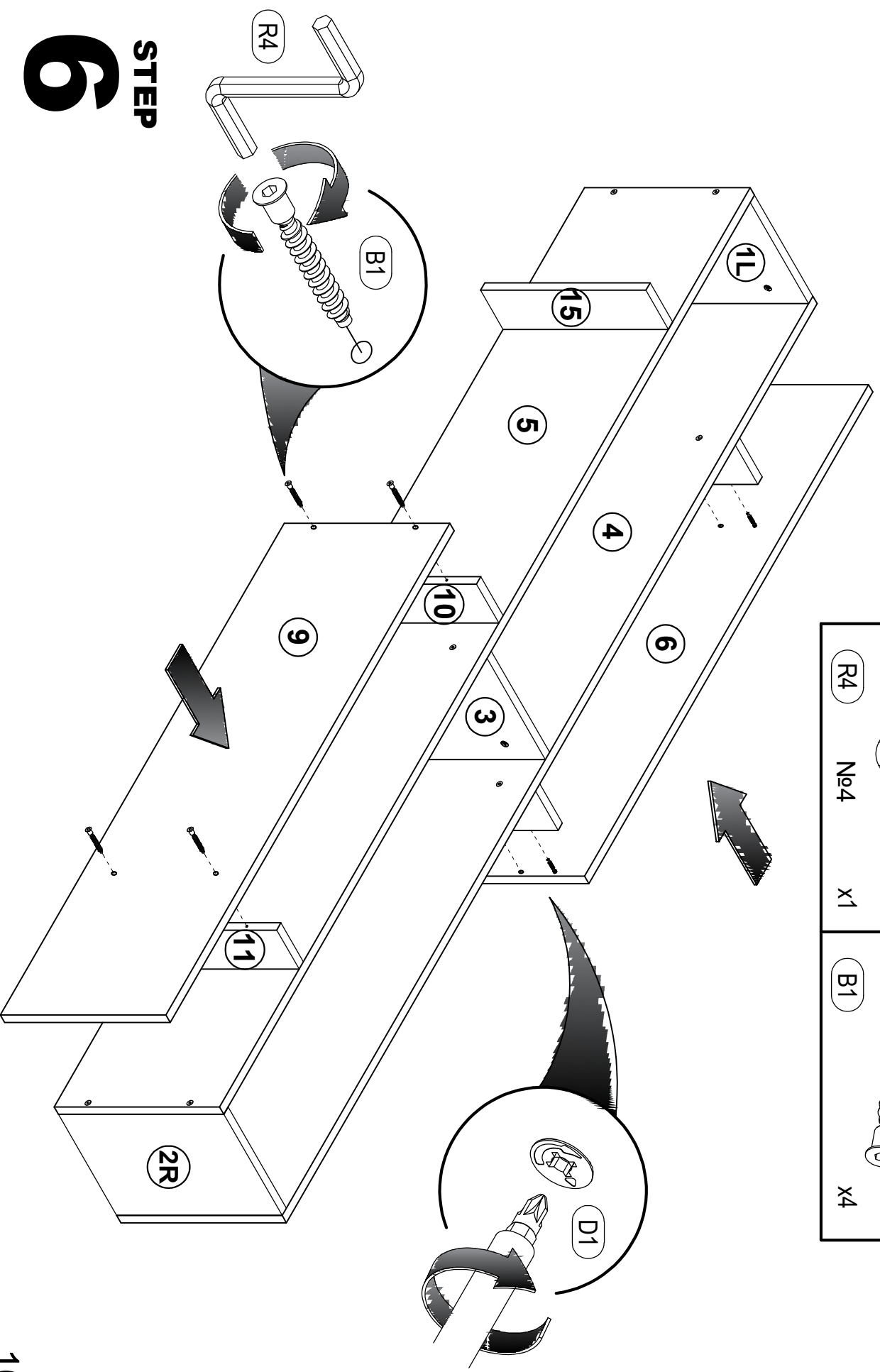


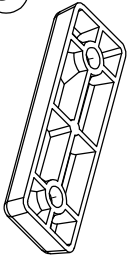



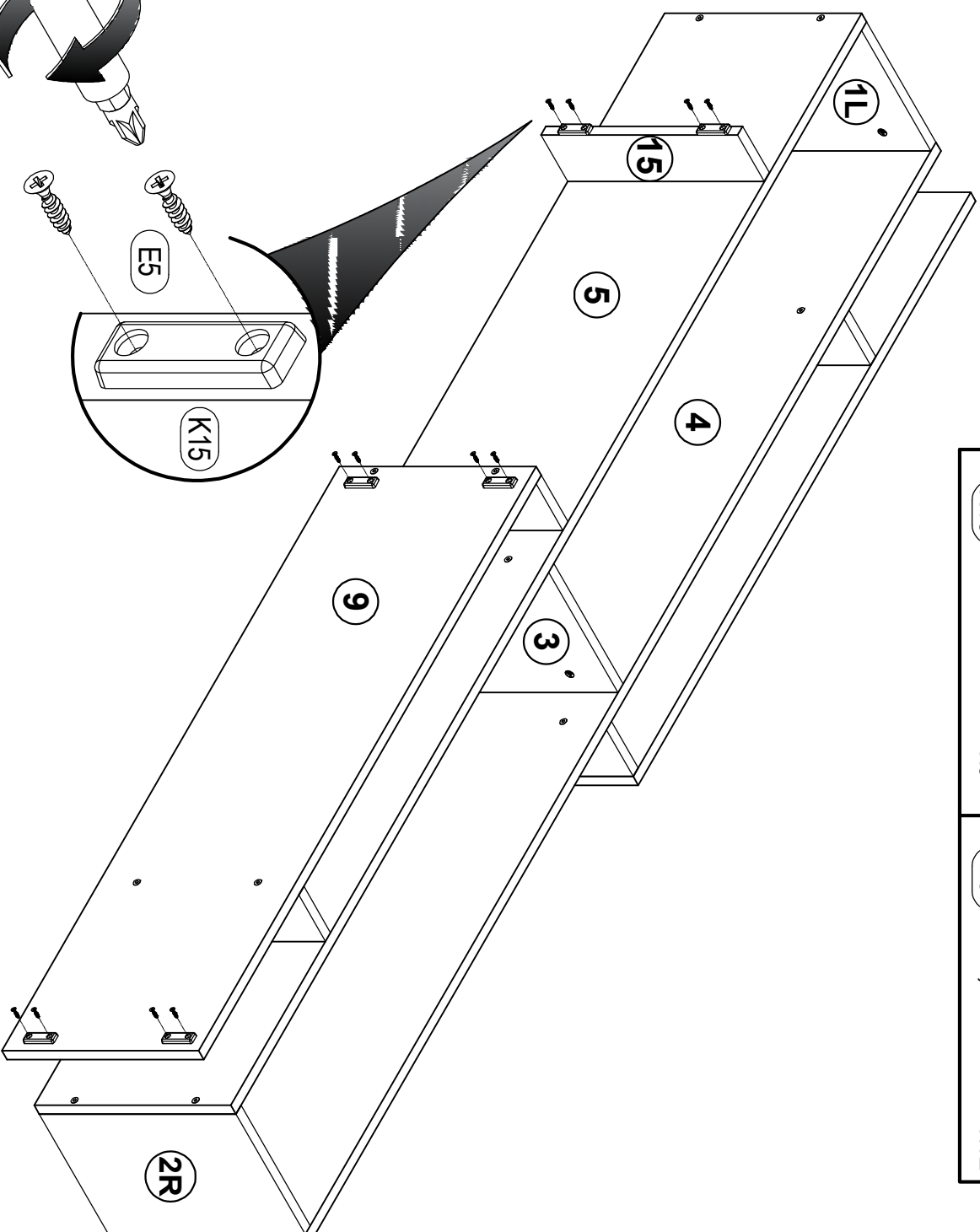
R4		Nº4	x1
B1			x10

**STEP**  
**5**

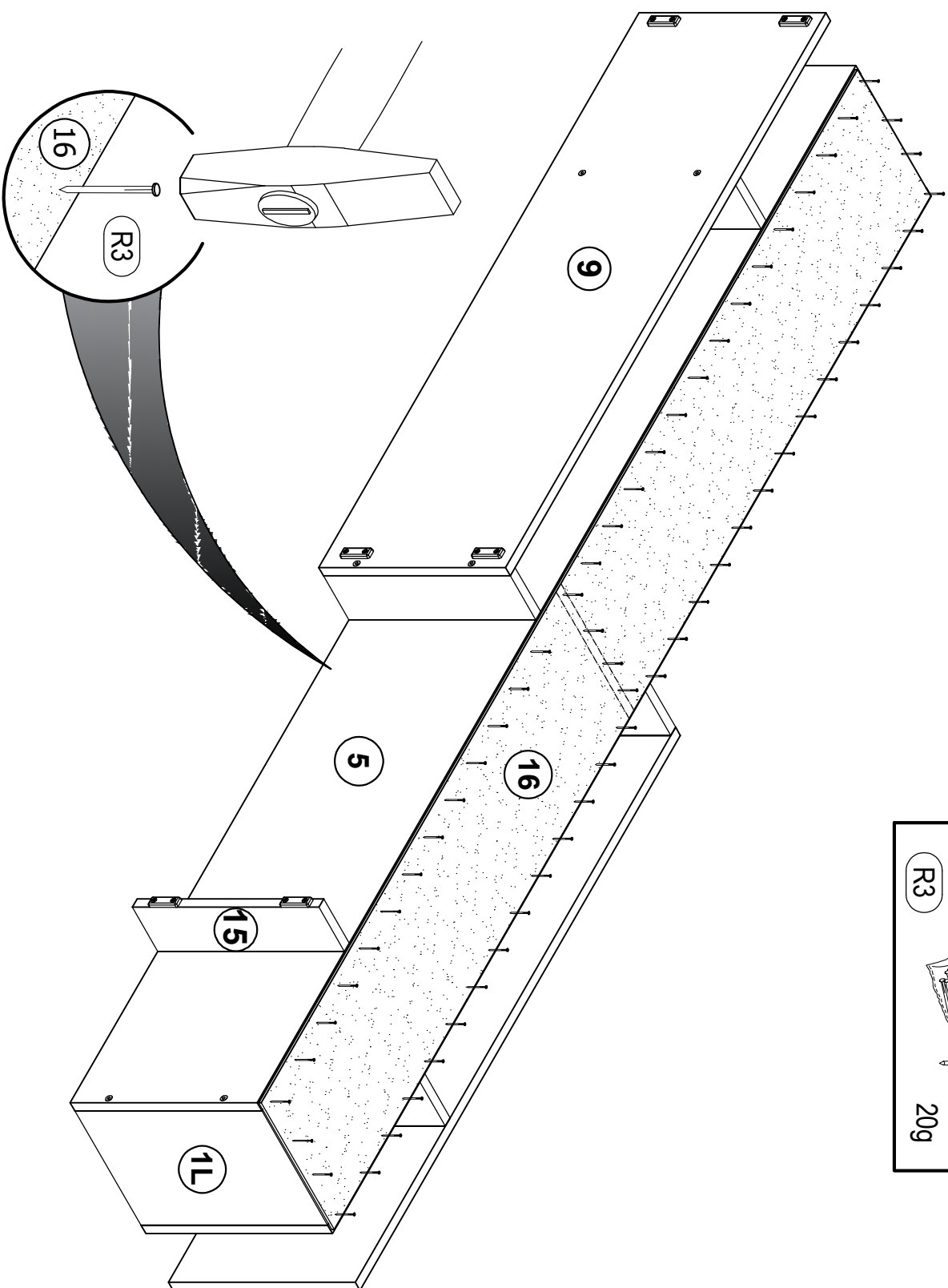
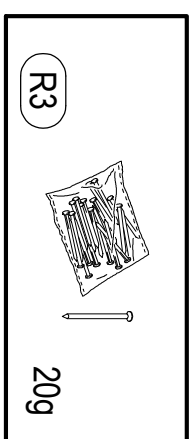
 R4 №4	 B1 x4
--	--



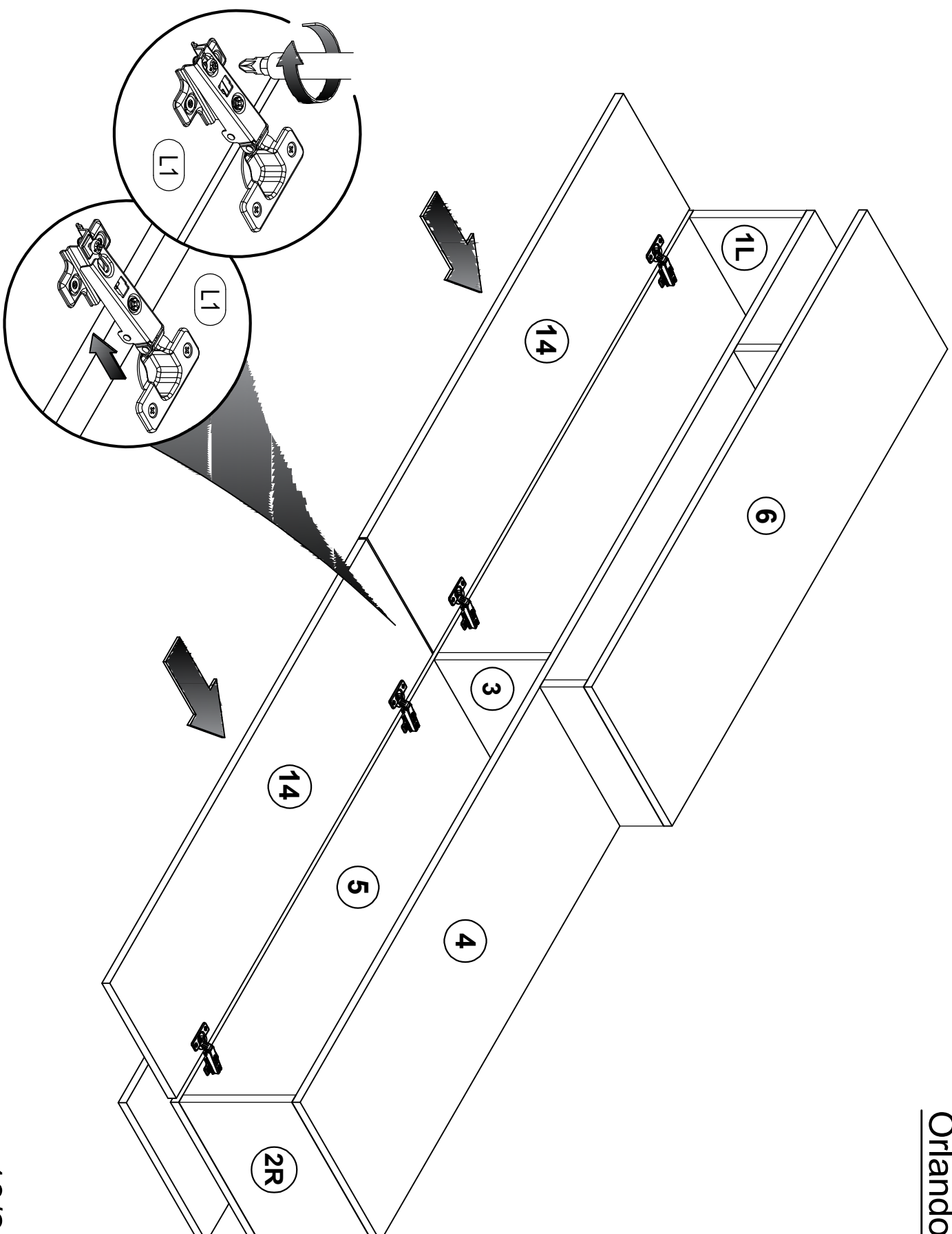
 K15 x6	 E5 3,5x16 x12
---	--




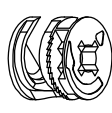
**STEP**  
**7**

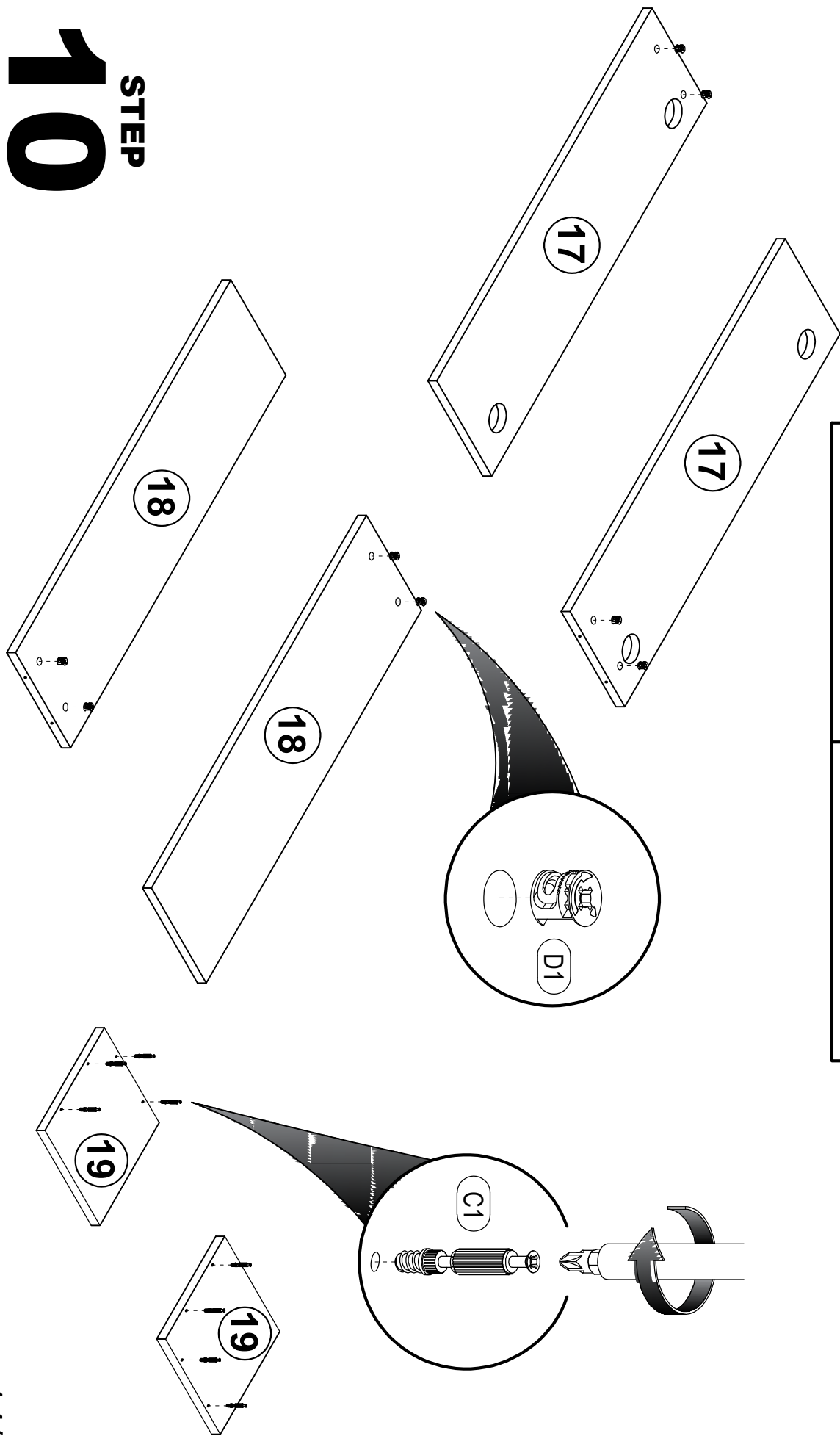


**STEP**  
**8**

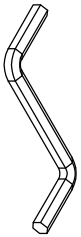
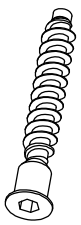


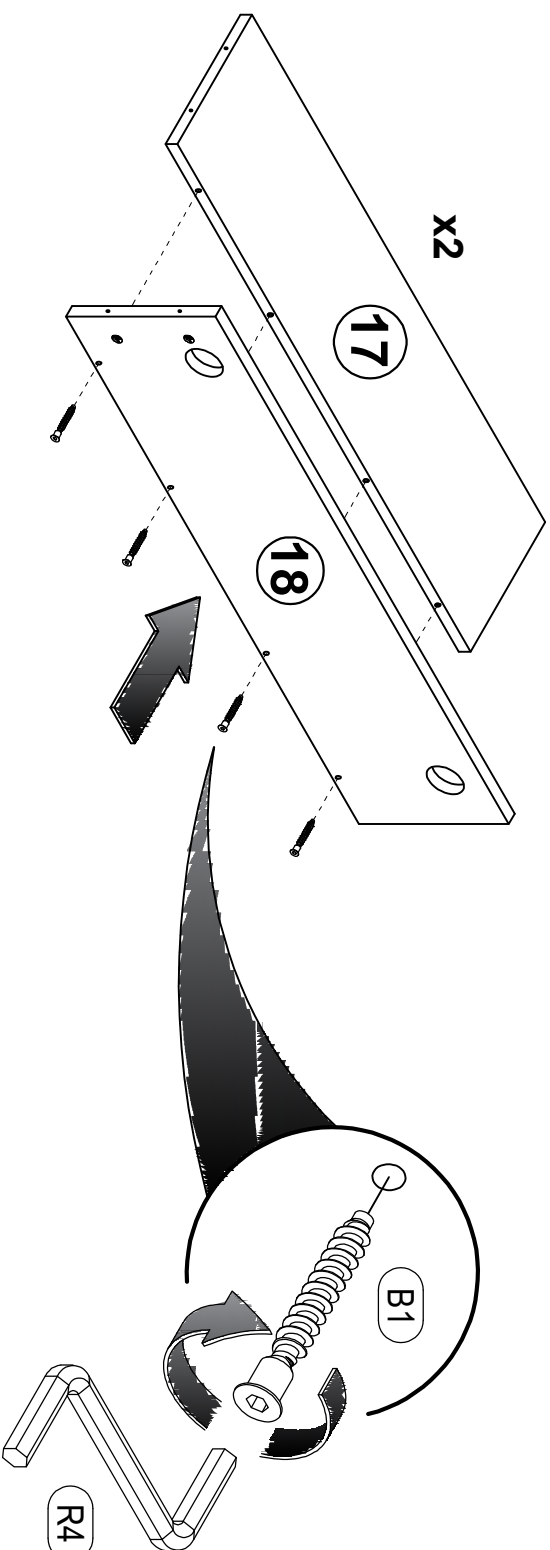
**STEP**  
**9**

 C1 6x43mm x8	 D1 15/16 x8
--	--

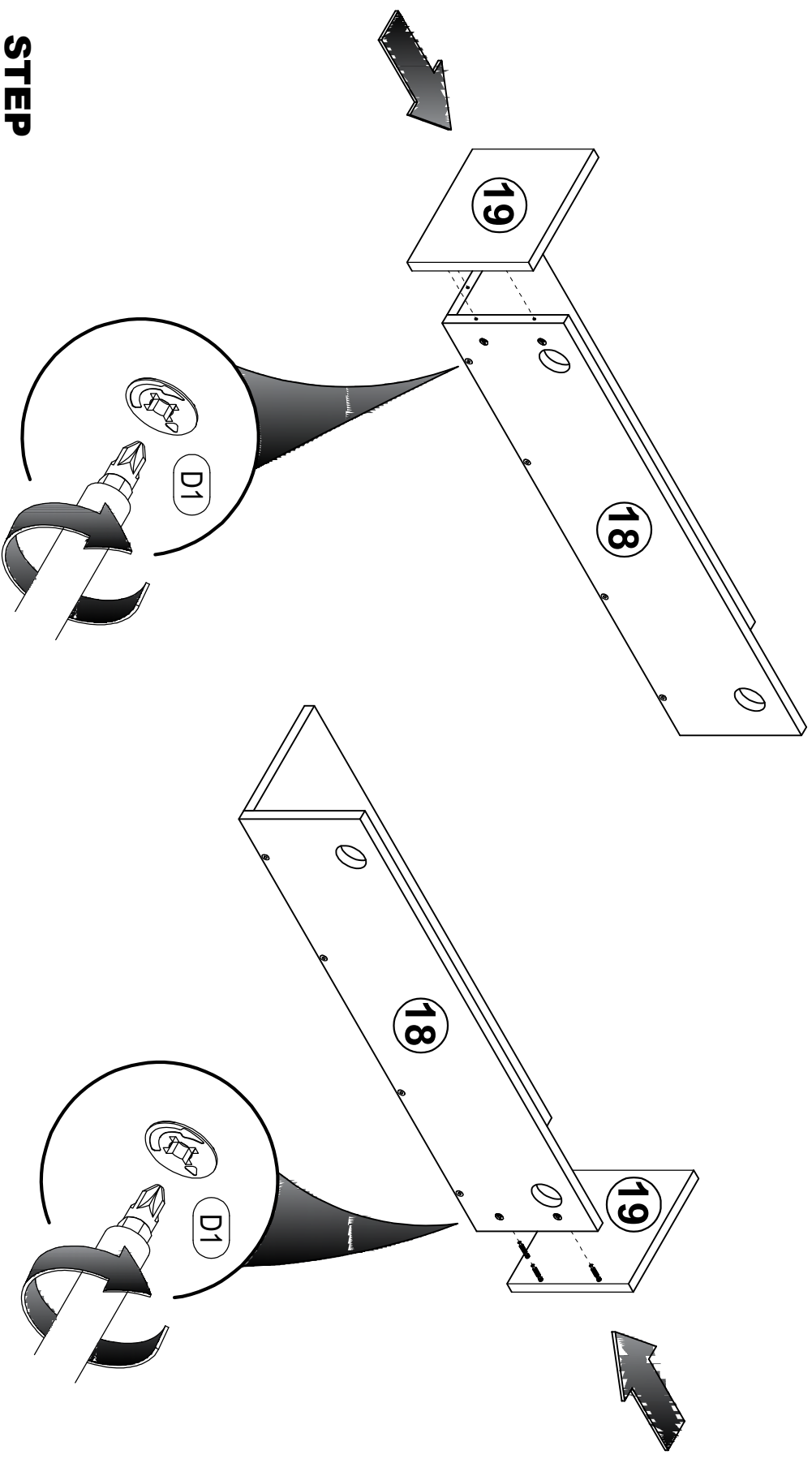


# STEP 10

 R4	Nº4	x1	 B1	x8
--	-----	----	---	----





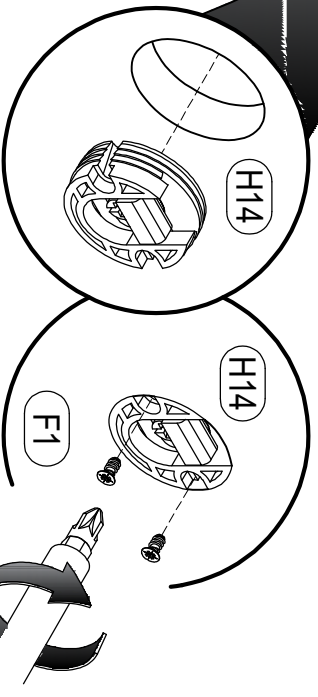
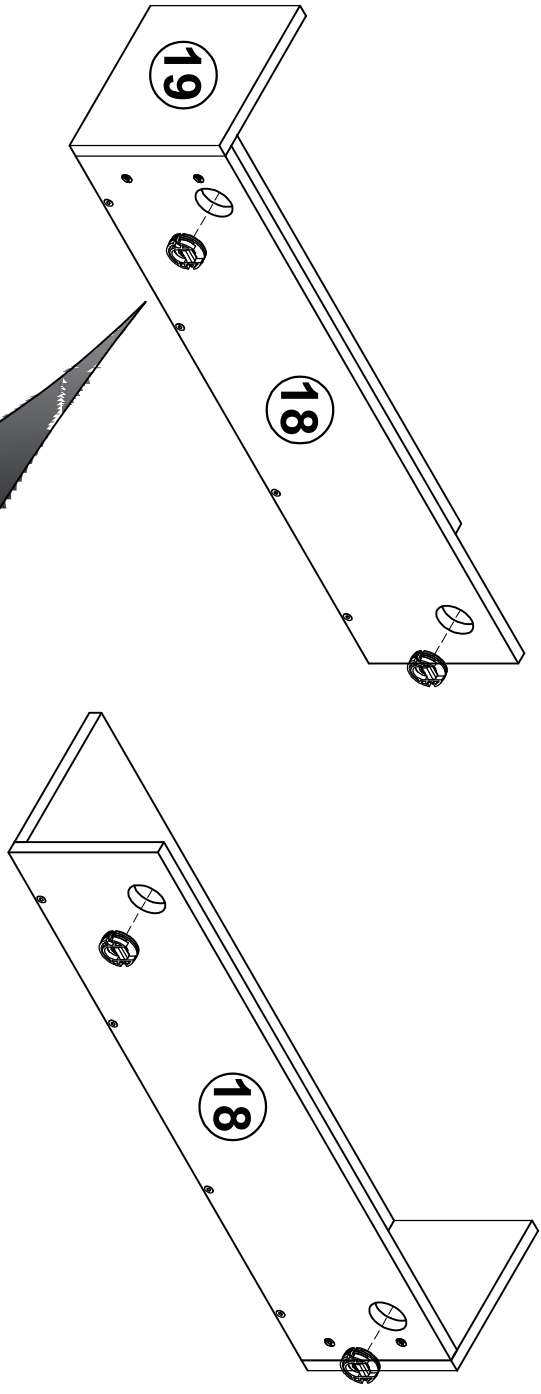
**STEP**  
**11**





# STEP 12

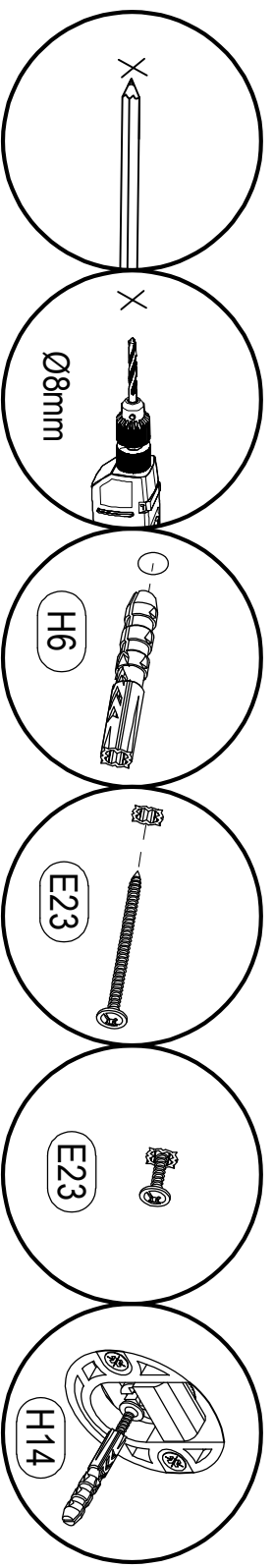
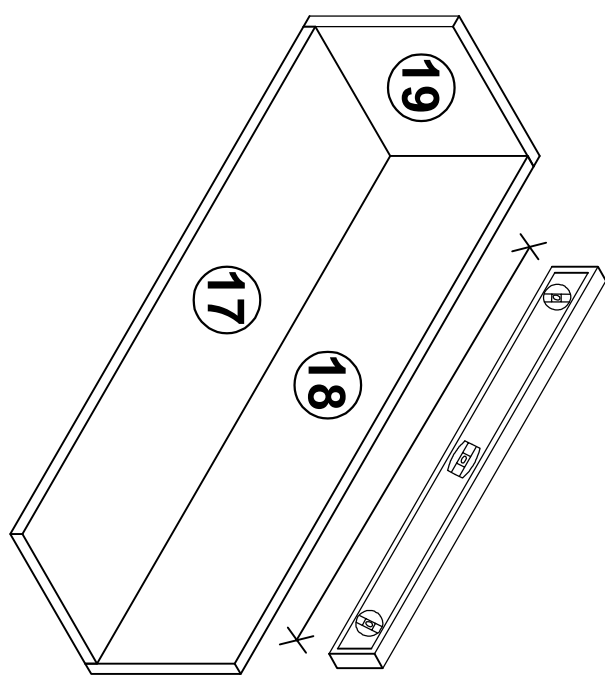


H14		X4
F4		X8





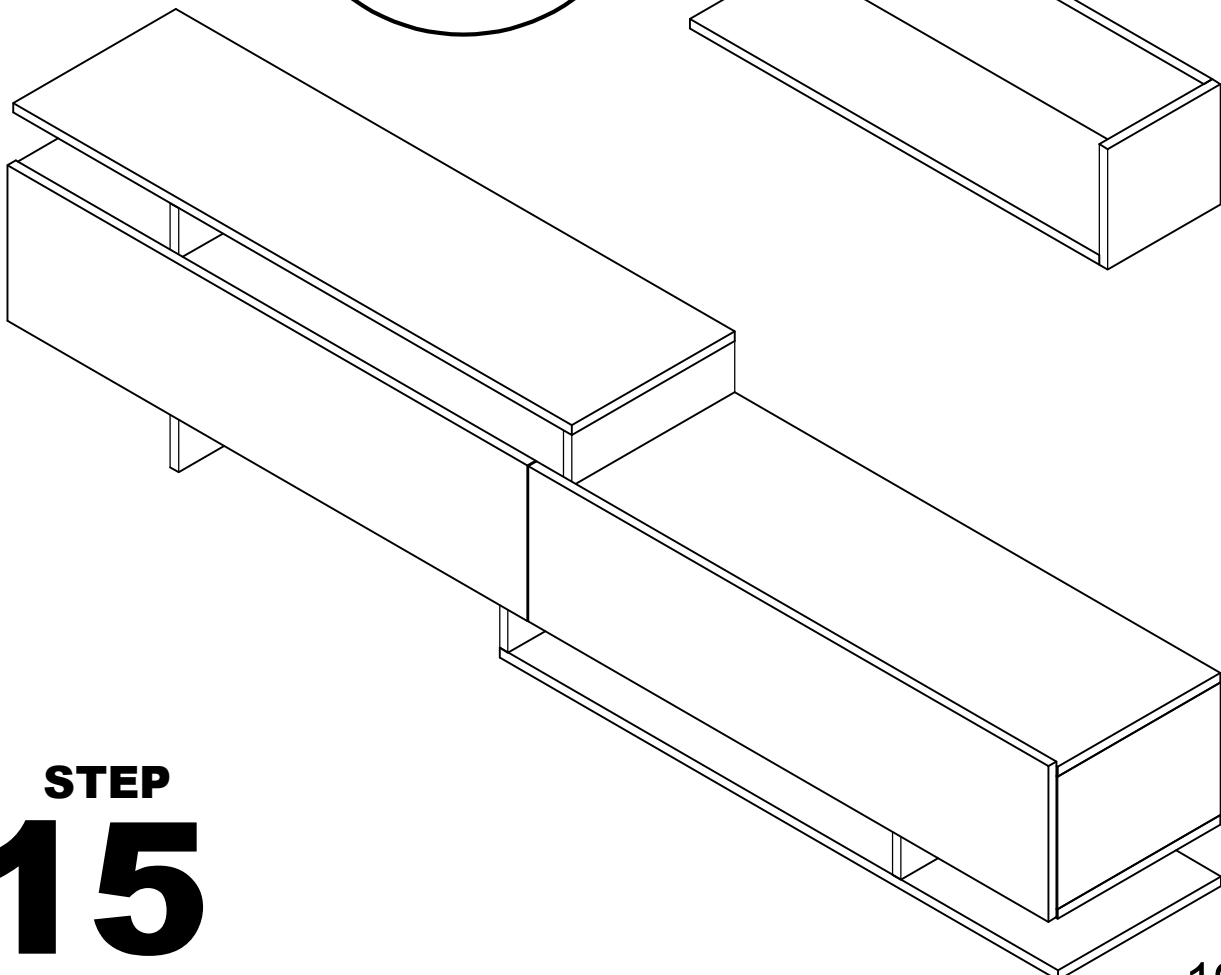
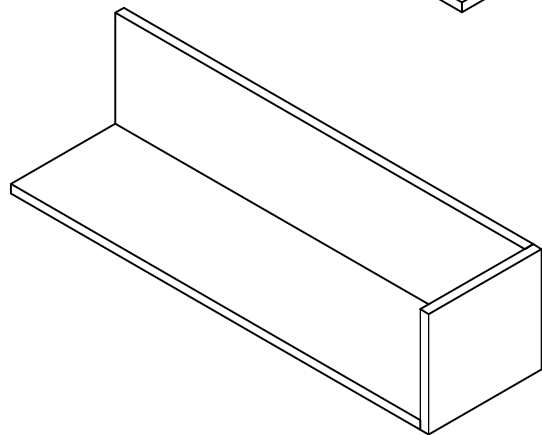
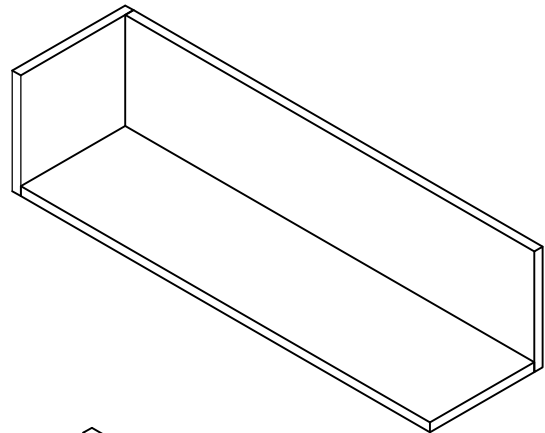
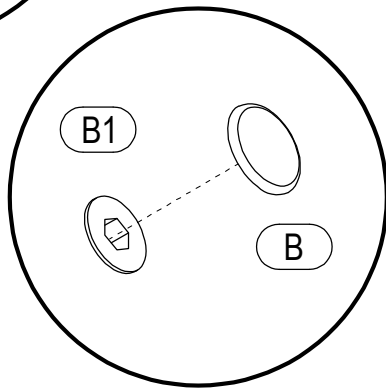
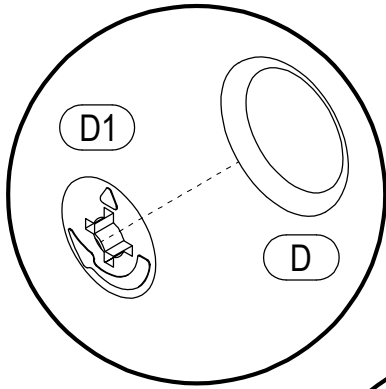
# STEP 13

	
<b>E22</b> 4,2*65mm X4	<b>H5</b> 8*50mm X4



# STEP 14

	
<b>D</b> Ø20mm x24	<b>B</b> Ø12mm x28



**STEP**  
**15**

