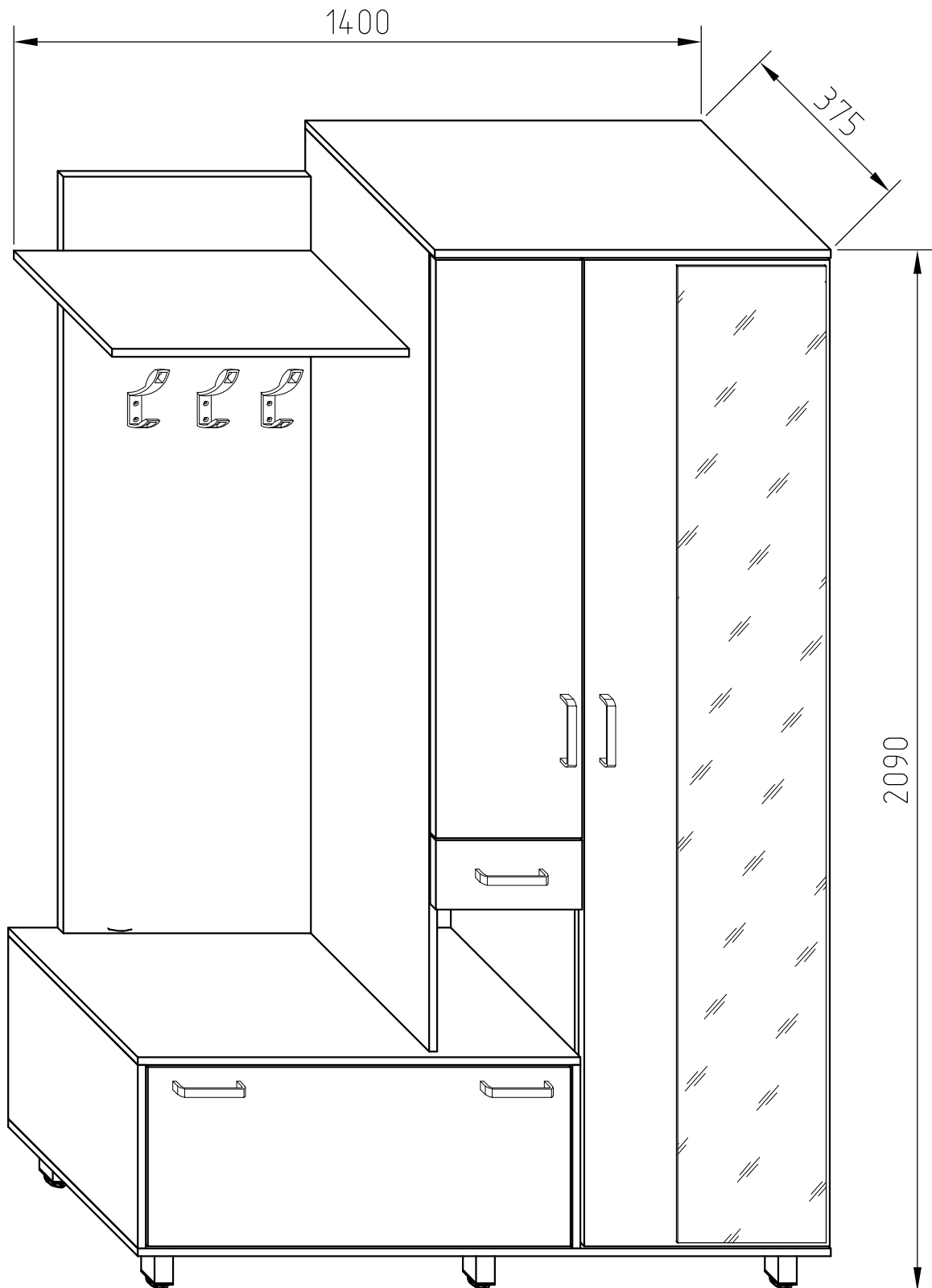
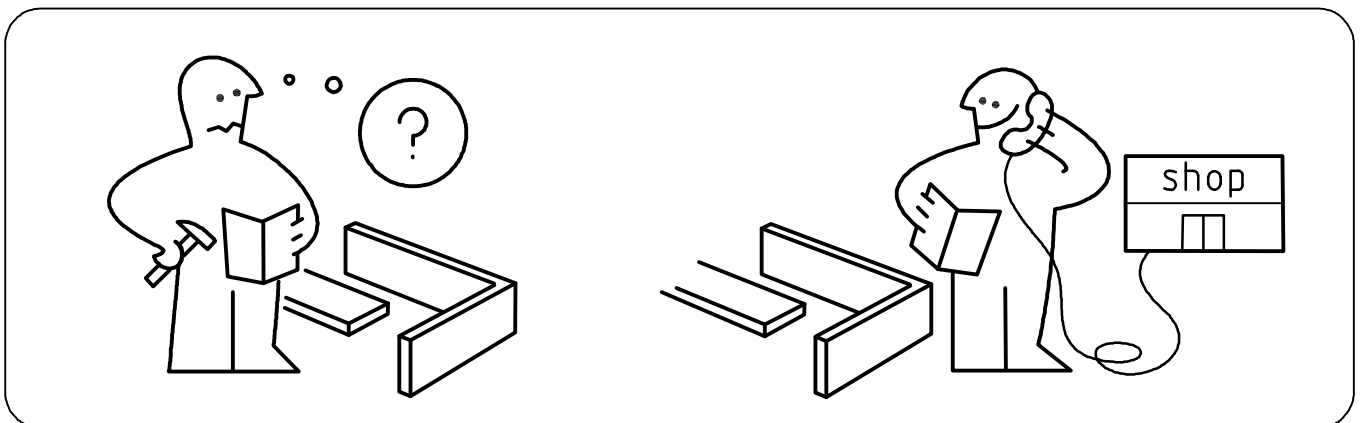
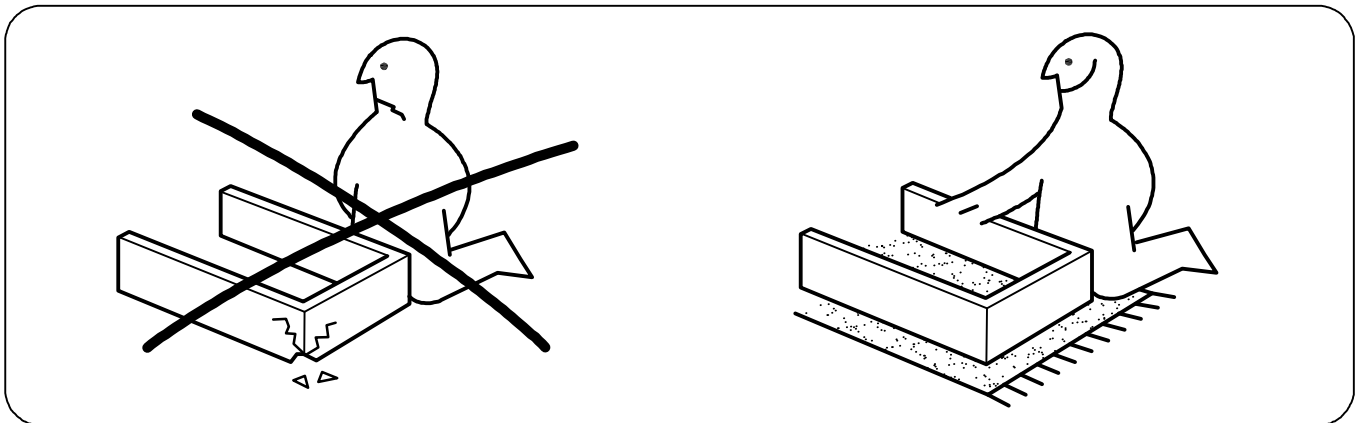
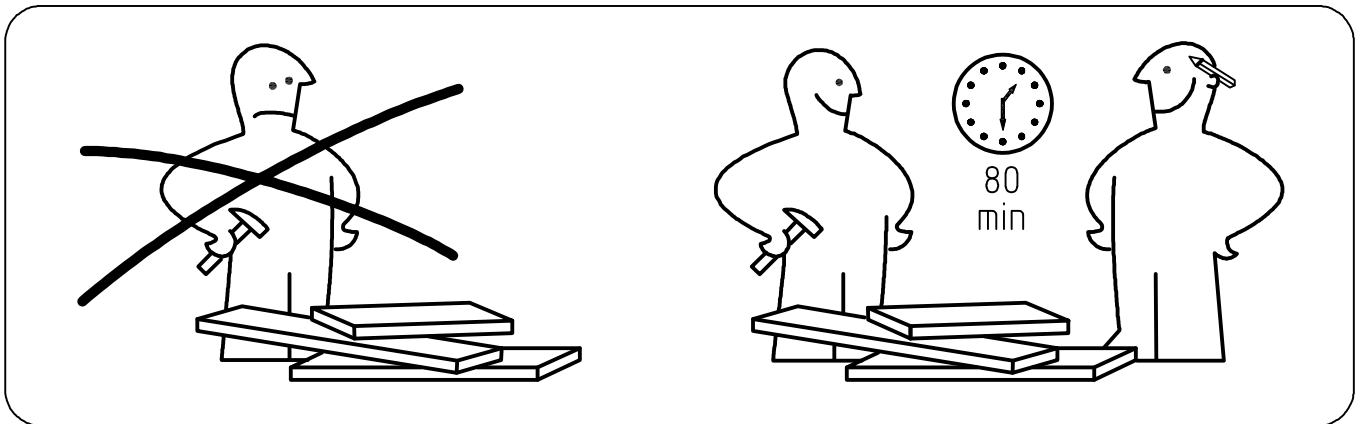
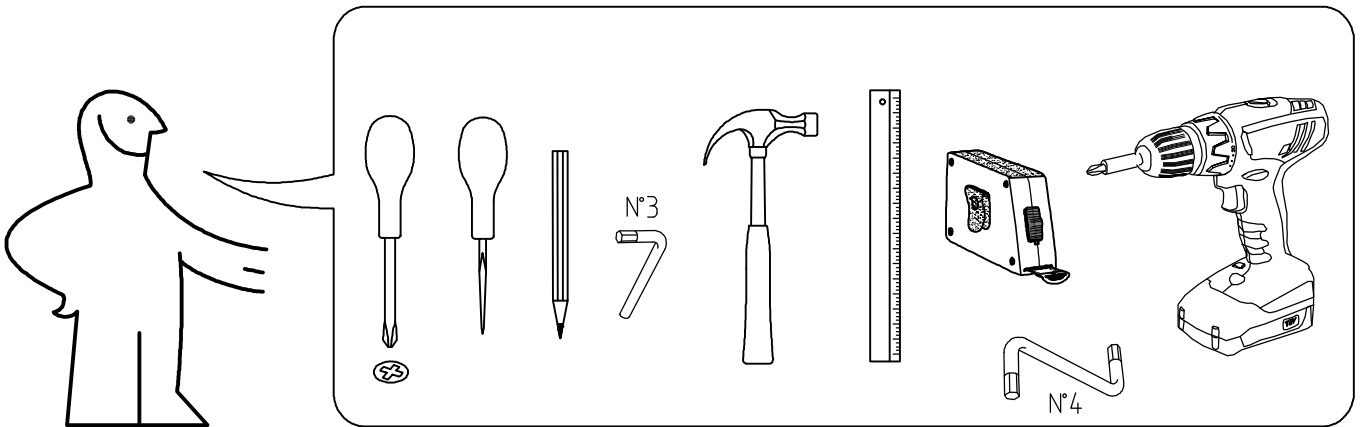






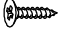
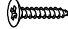
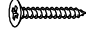
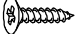
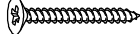




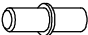
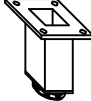

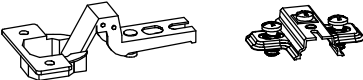
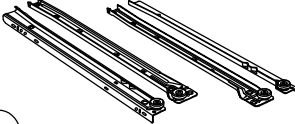
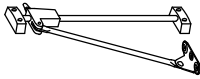
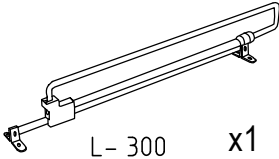

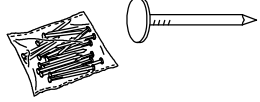
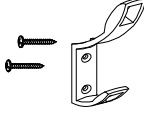



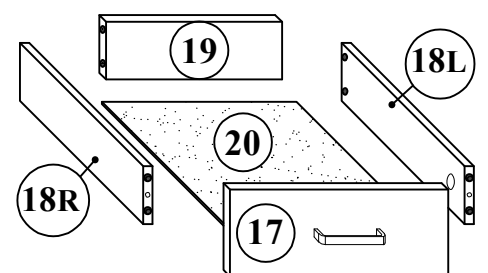
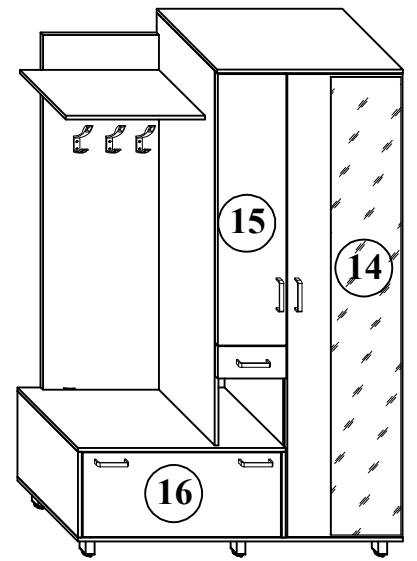
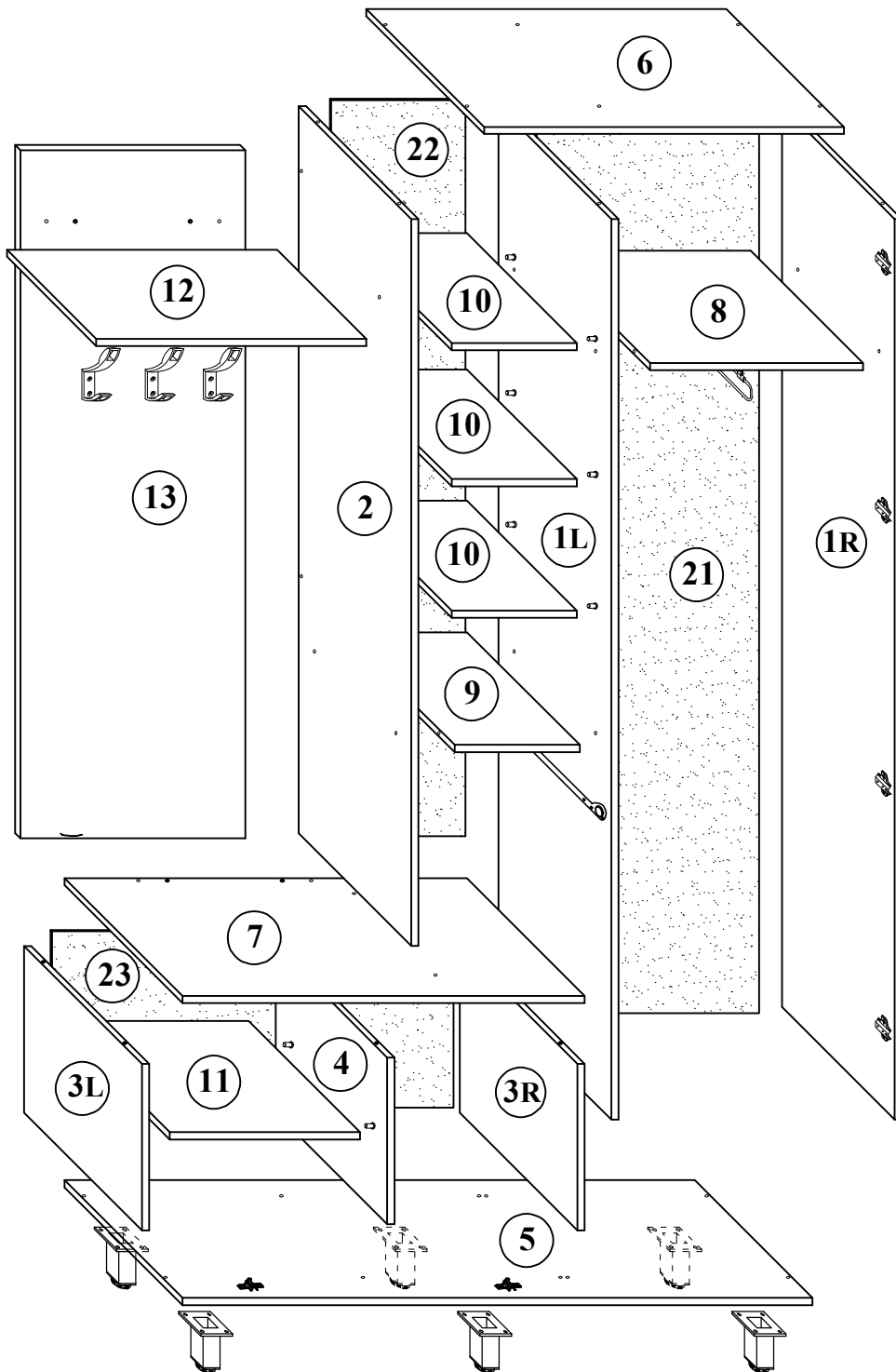
REPRIZE



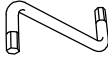





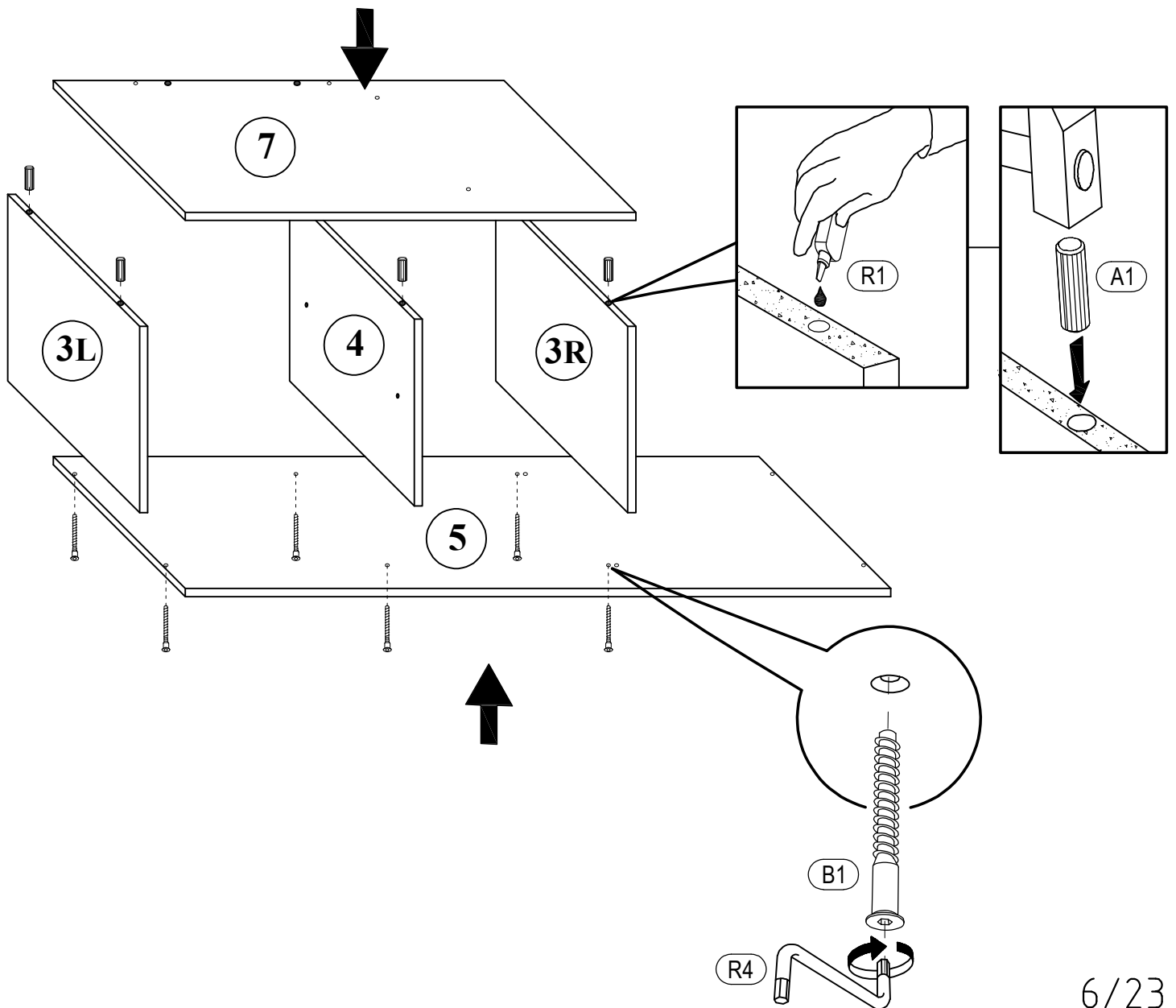
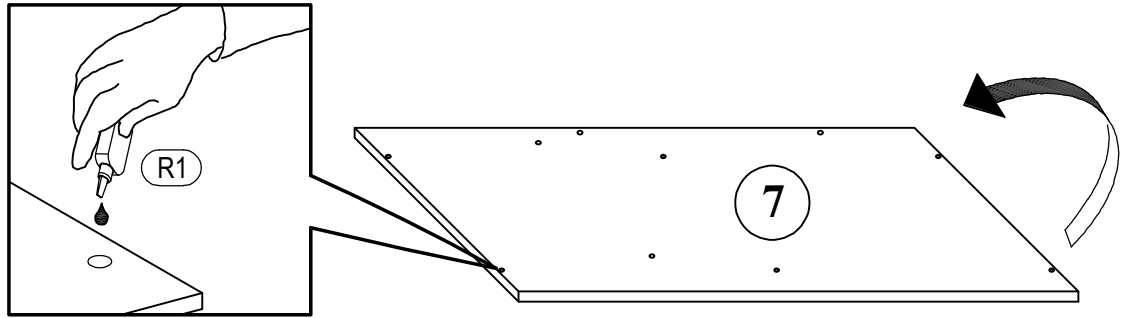
 A1 8*30mm x18	 B x20	 B1 6,3*50mm x35
 C1 5*30mm x2	 D x2	 D1 16mm x2
 E2 3*13mm x8	 E3 3*15mm x30	 E4 3*20mm x8
 E9 4*16mm x20	 E16 4,5*30mm x10	 F5 6,3*13mm x16
 G6 M 4 *25mm x10	 H1 M 4 x10	 I21 128 x5
 J1 5*16mm x16	 K9 H-60mm x6	 L1 x6
 L3 x2	 M1 L- 300mm x1	 N4 R+L x2
 N6 L- 300 x1	 R1 x1	 R3 1.4*25mm 0.050kg
 X4 DW08 x3		

No	a*b	x	N°→...
1R	2000x354	x1	3
1L	2000x354	x1	3
2	1614x354	x1	3
3R	370x370	x1	2
3L	370x370	x1	2
4	370x350	x1	3
5	1400x370	x1	2
6	800x370	x1	4
7	894x370	x1	2
8	474x354	x1	2
9	278x354	x1	2
10	278x345	x3	2
11	422x350	x1	2
12	600x280	x1	2
13	1528x500	x1	1
14	1990x496	x1	1
15	1168x296	x1	5
16	362x854	x1	4
17	140x296	x1	2
18R	300x100	x1	2
18L	300x100	x1	2
19	221x100	x1	2
20	303x250	x1	6
21	2028x495	x1	6
22	1631x300	x1	6
23	900x397	x1	6
		x1	2


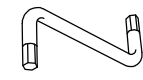


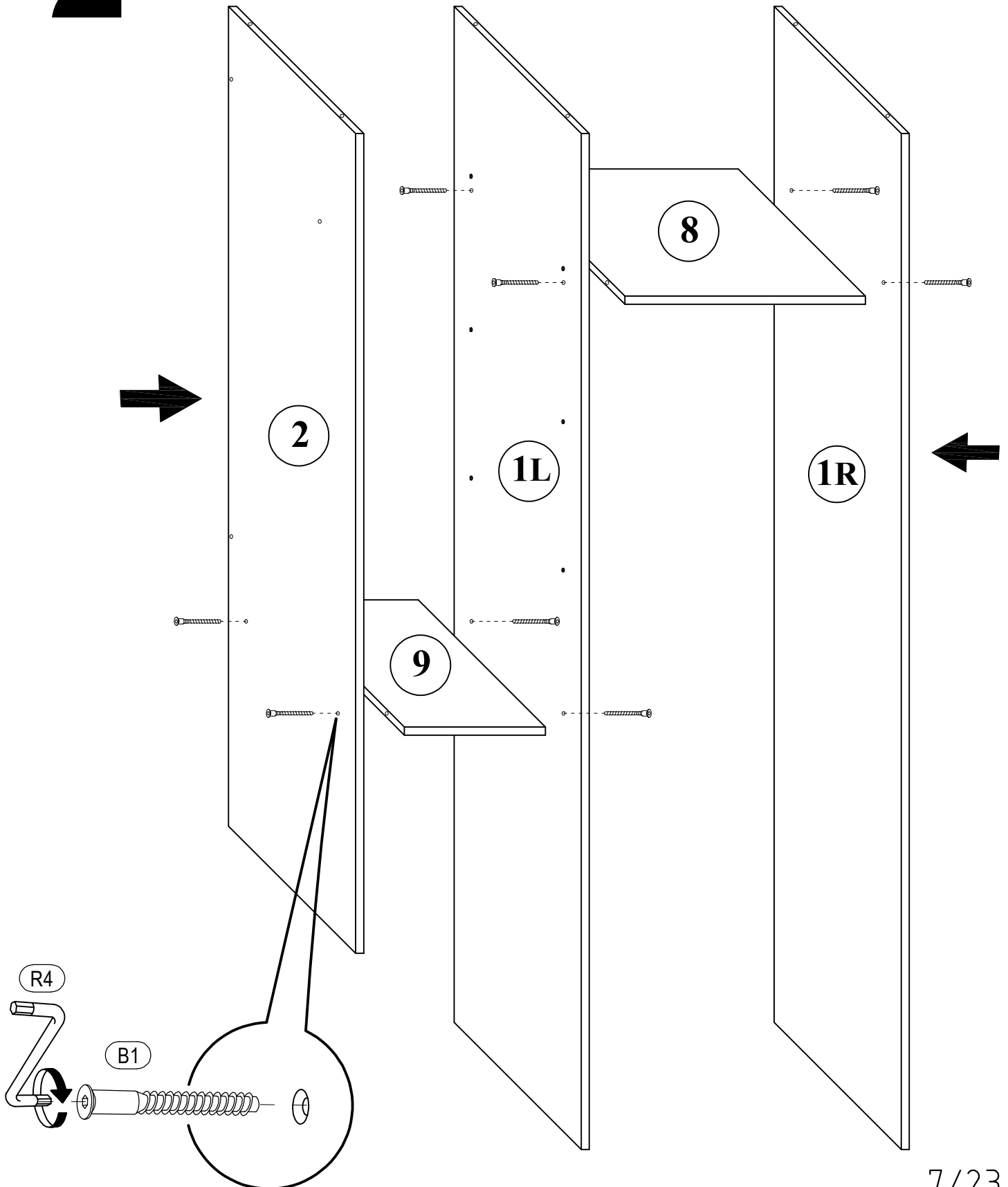
 A1 8*30mm x6	 B1 6,3*50mm x6	 R4 N°4
		 R1



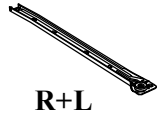
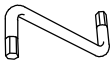
1



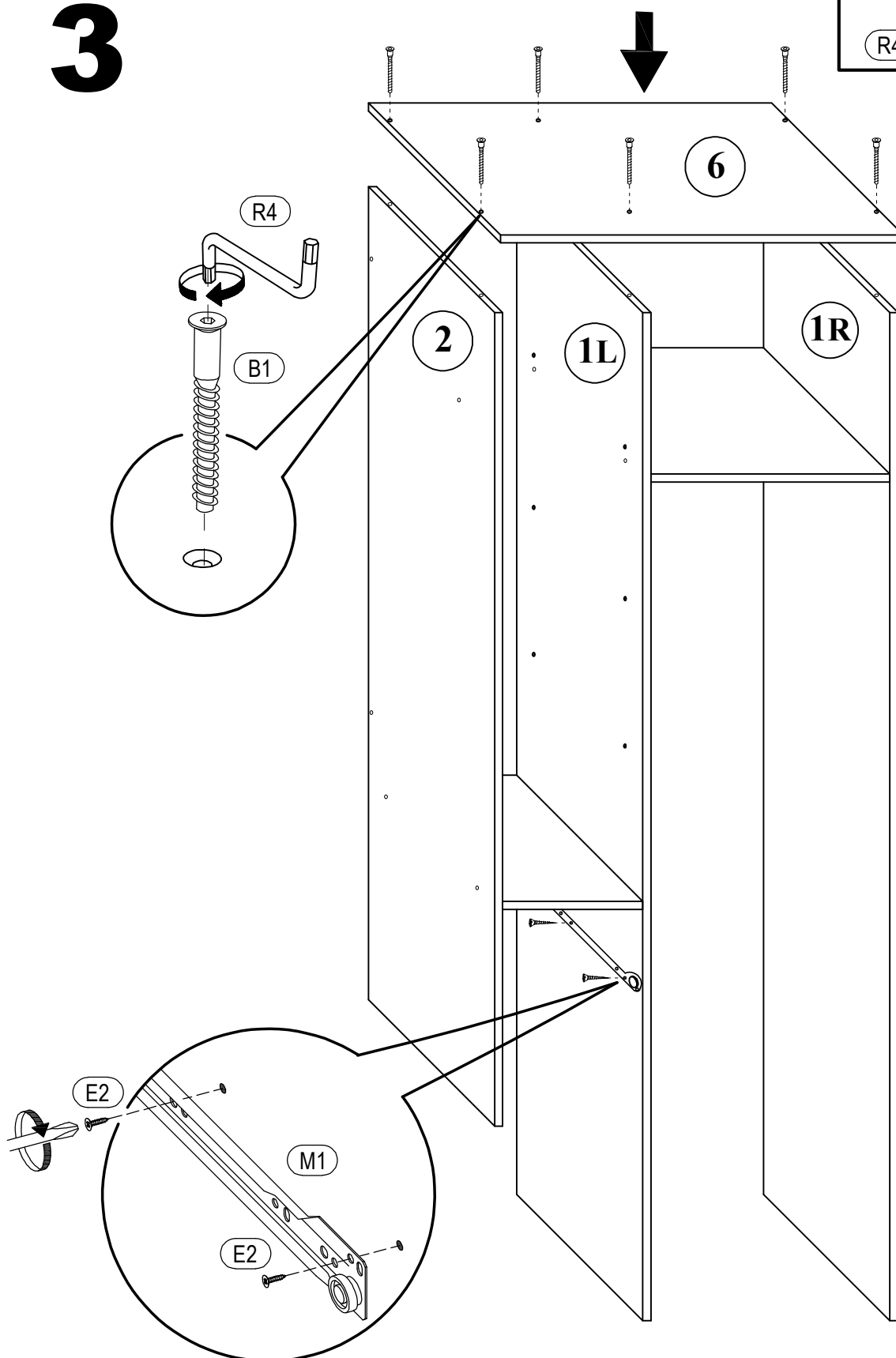
2

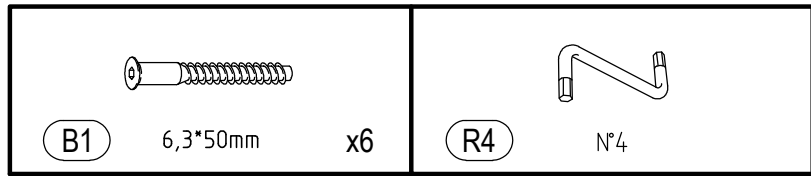
	
B1 6,3*50mm x8	R4 N°4



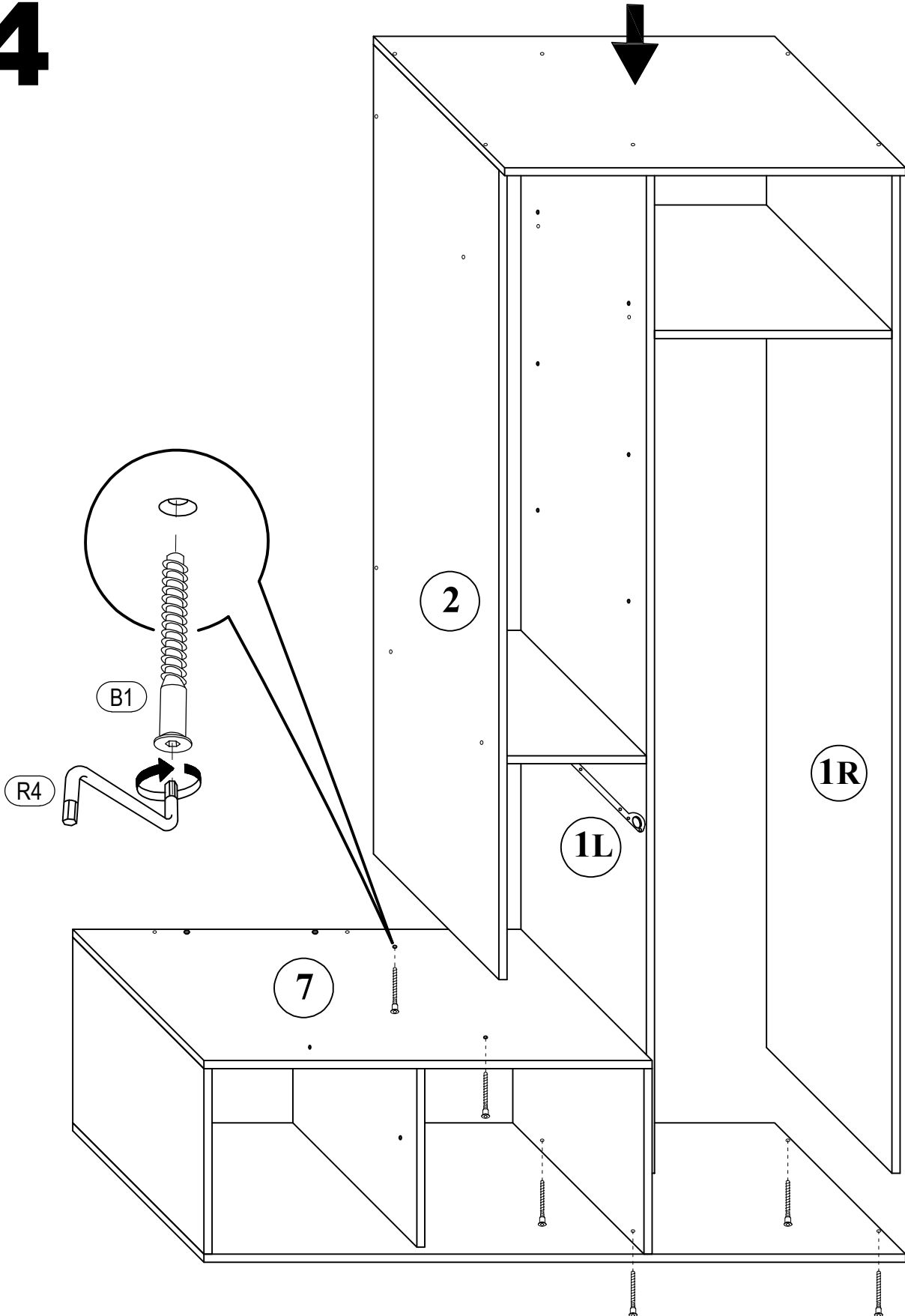
 B1 6,3*50mm x6	 E2 3*13mm x4	 M1 R+L x1
 R4 N°4		

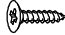
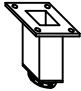

3



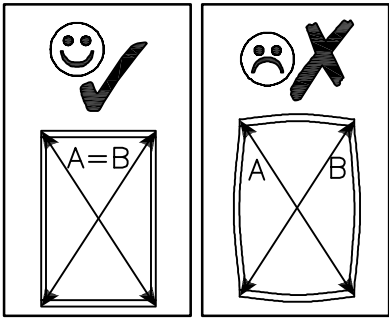
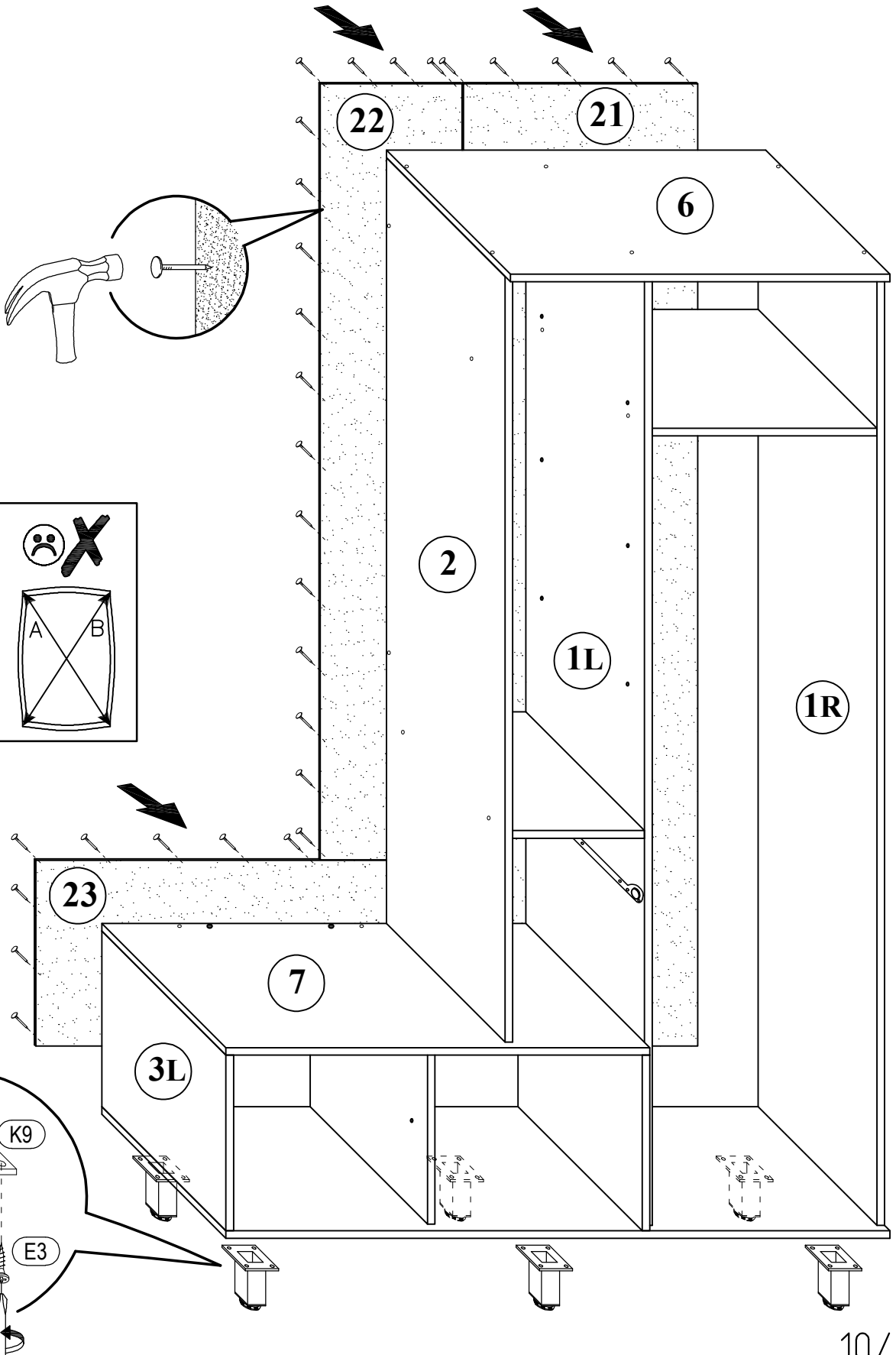




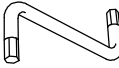
4



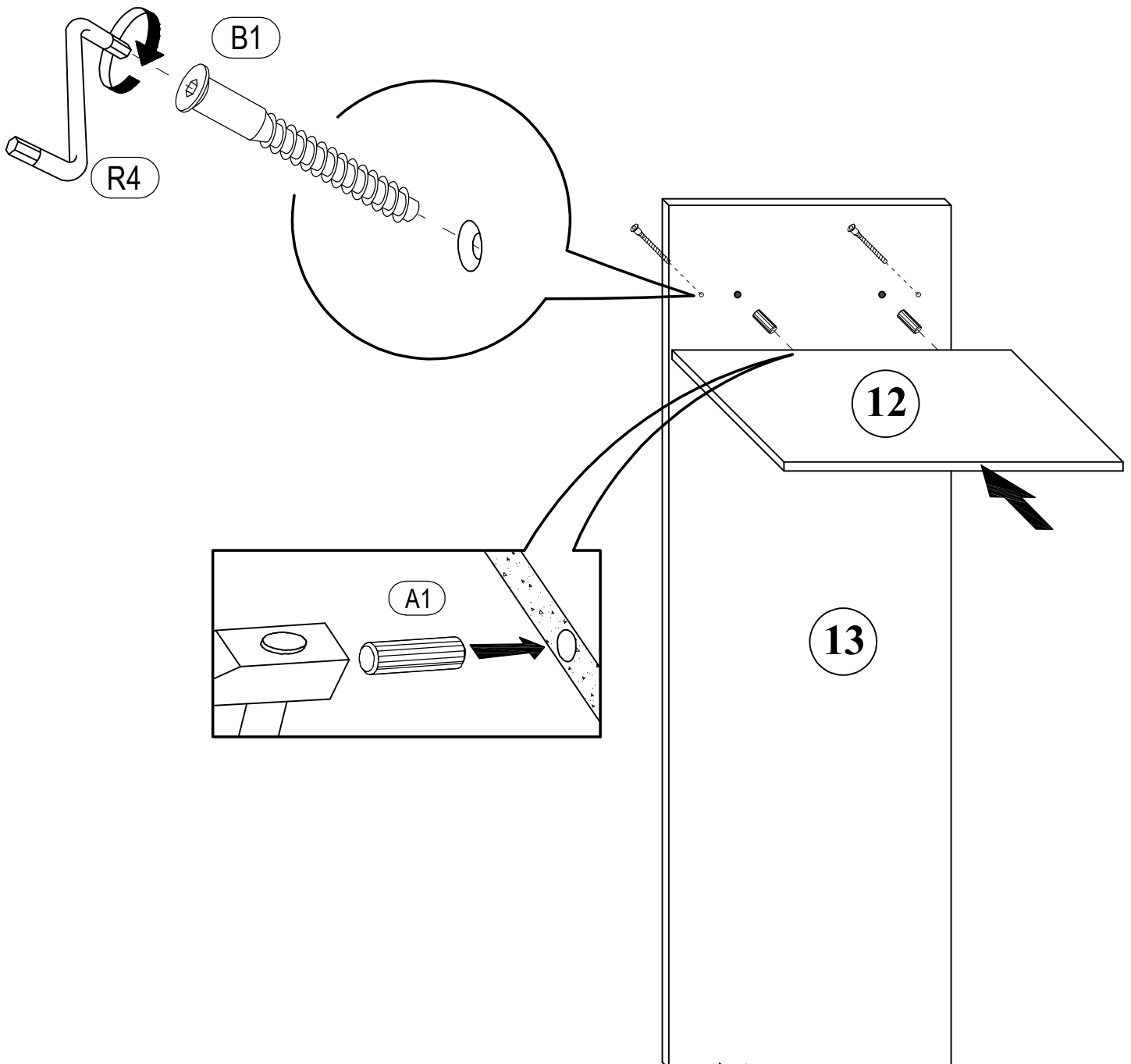
 E3 3*15mm x24	 K9 x6	 R3 1.4*25mm 0.040kg
--	--	--

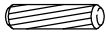

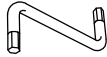
5



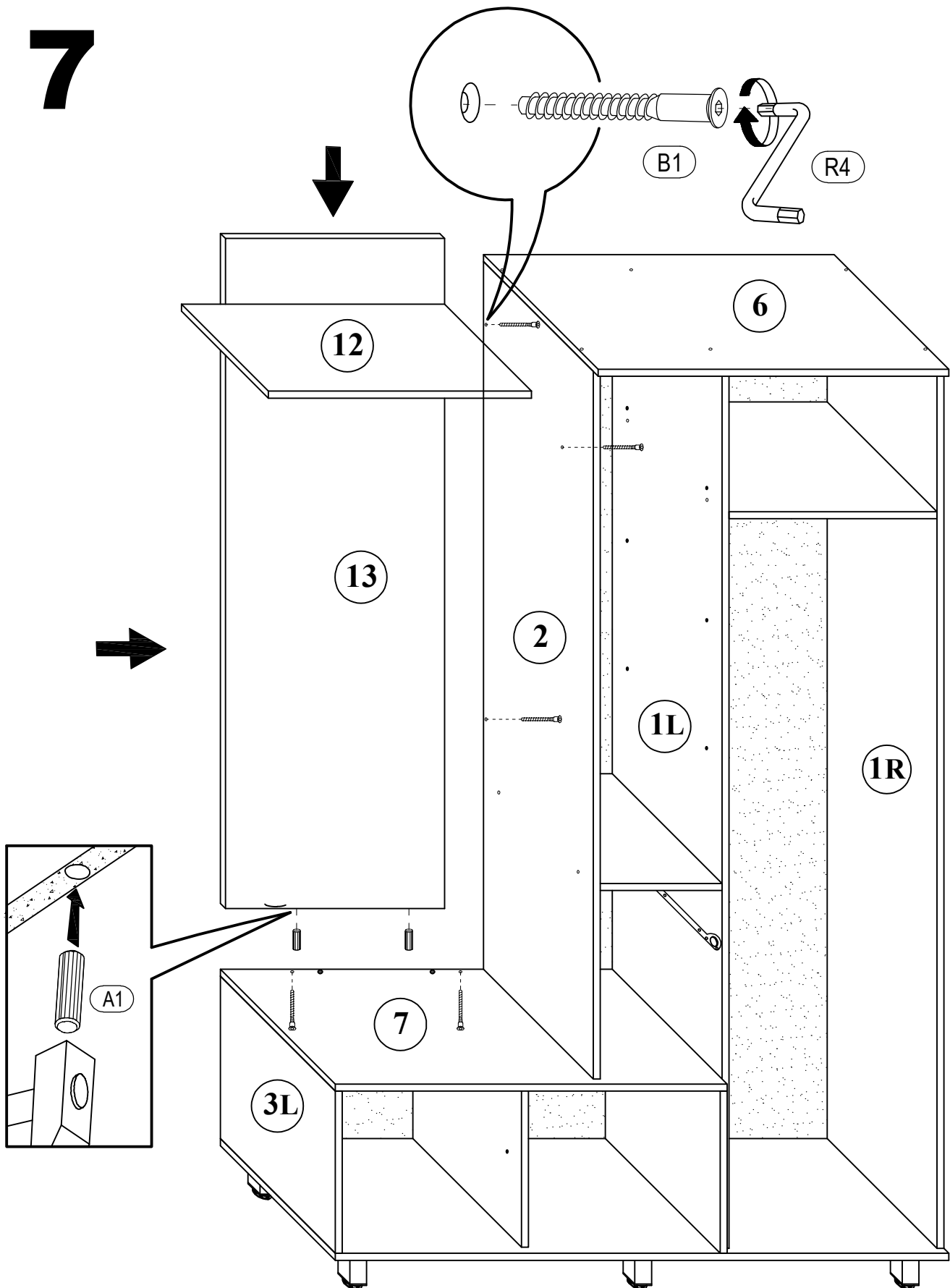
 <p>A1 8*30mm x2</p>	 <p>B1 6,3*50mm x2</p>	 <p>R4 N°4</p>
---	---	---






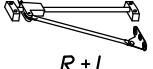
6



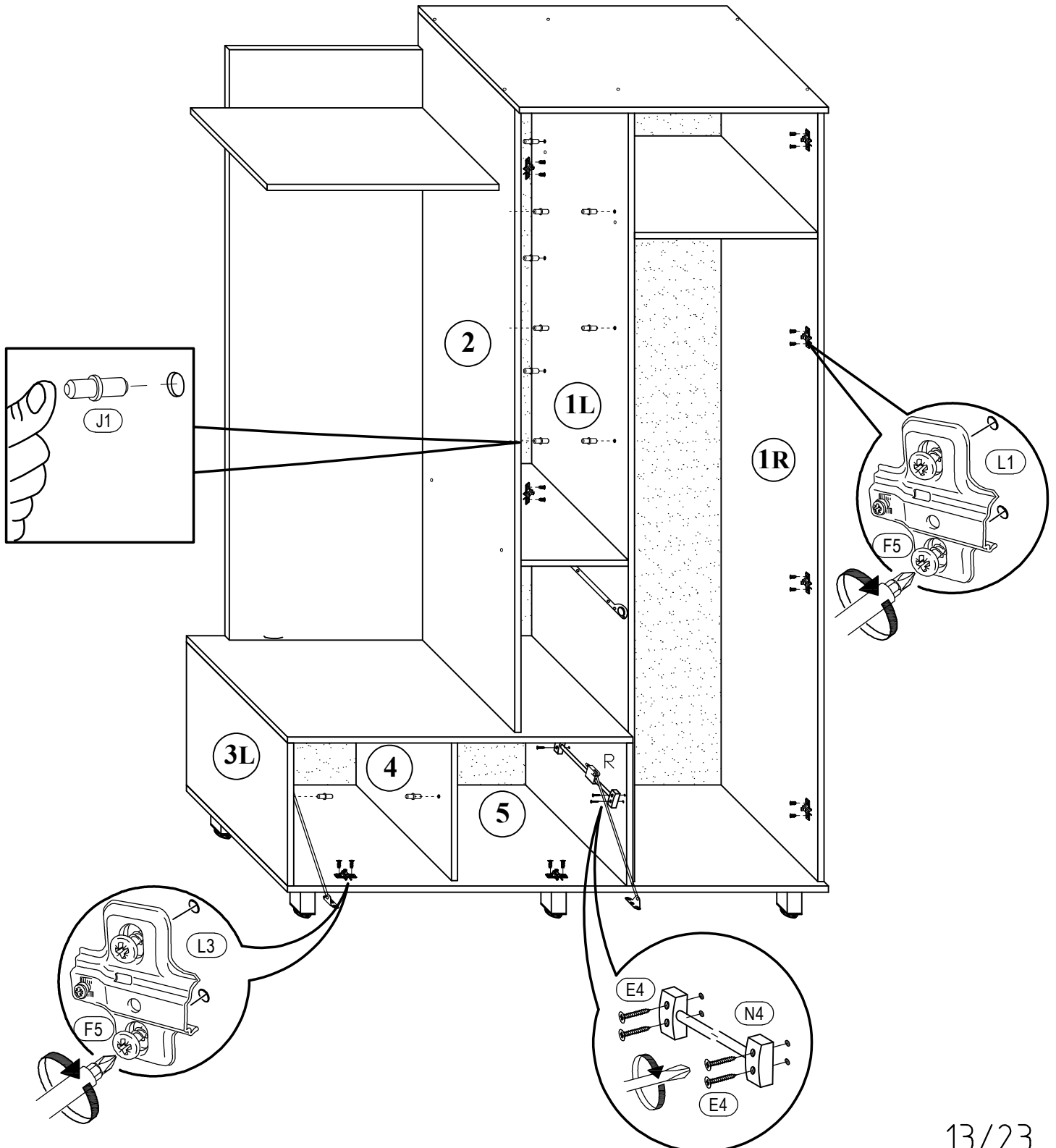
 <p>A1 8*30mm x2</p>	 <p>B1 6,3*50mm x5</p>	 <p>R4 N°4</p>
---	---	---

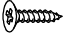
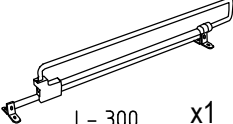
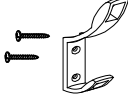
7



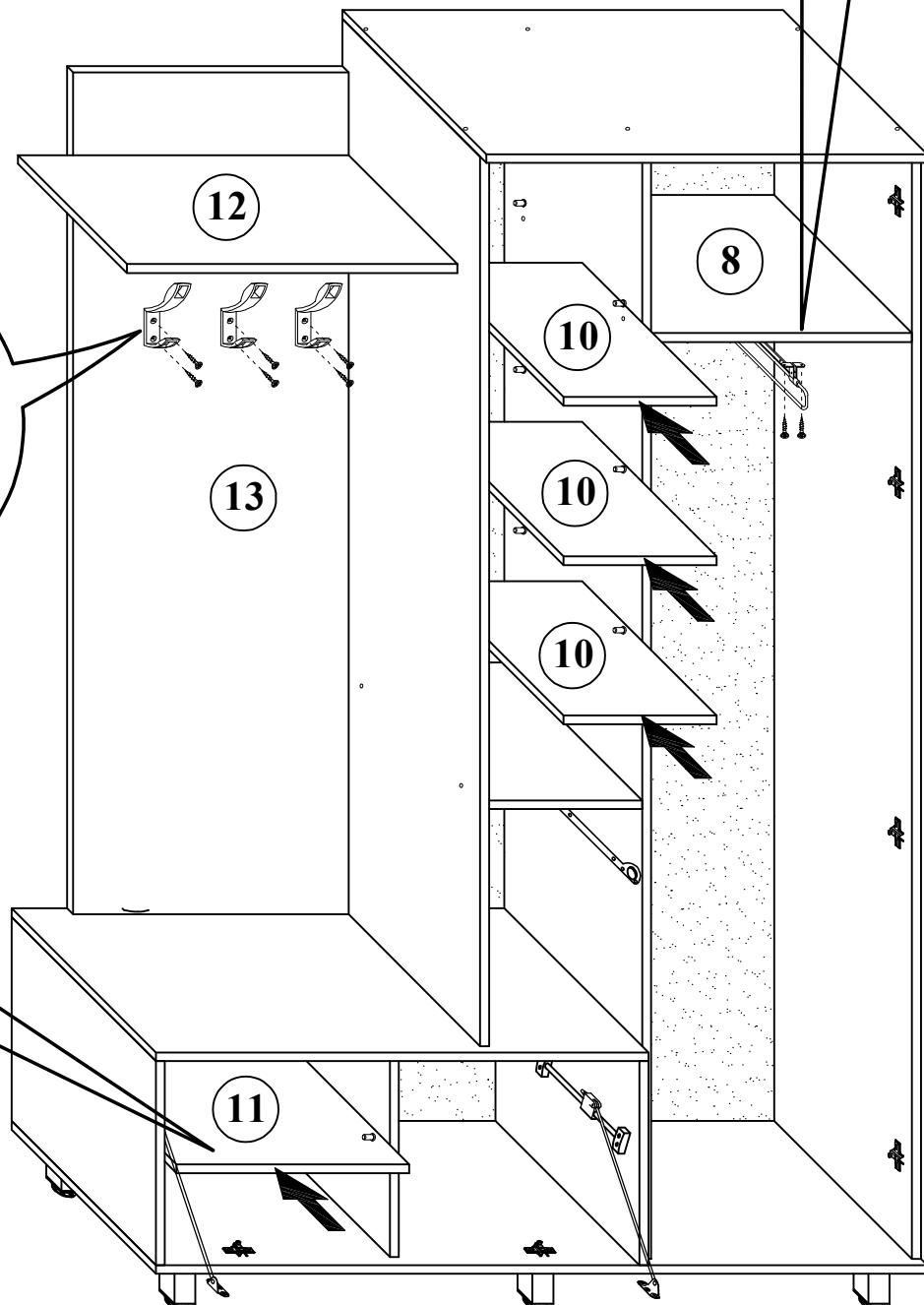
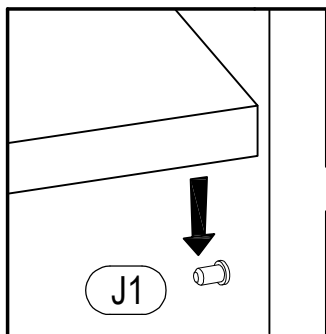
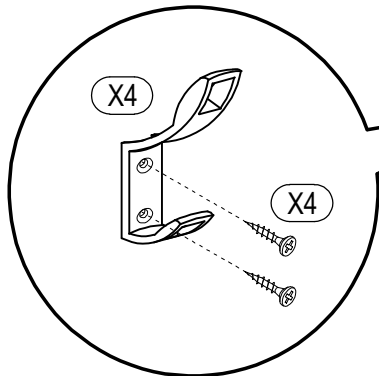
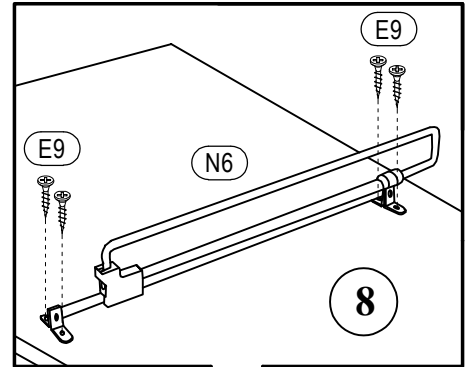
 E4 3*20mm x8	 F5 6,3*13mm x16	 J1 5*16mm x16	 L1 x6
		 L3 x2	 N4 R+L x2

8








 (E9) 4*16mm x4	 (N6) L-300 x1	 (X4) DW08 x3
---	---	---

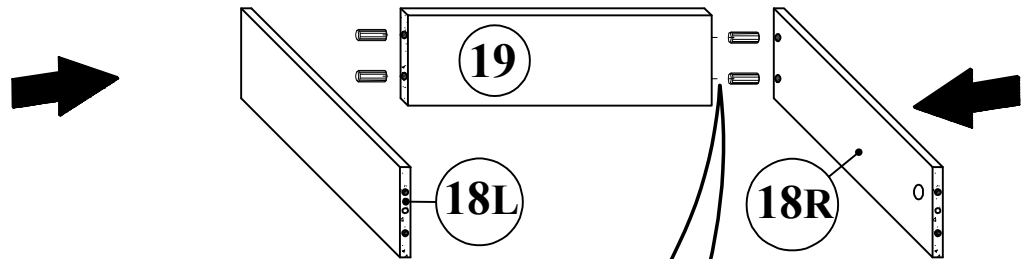
9



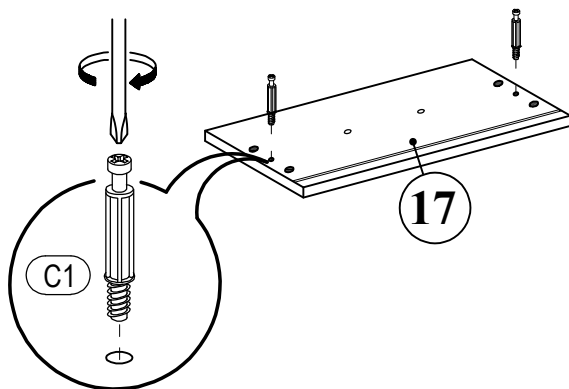
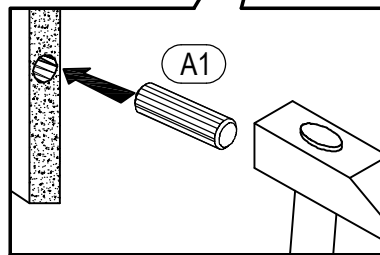
10

 A1 8*30mm x4	 C1 5*30mm x2	 G6 M 4*25mm x2
	 H1 M 4 x2	 I21 128 x1

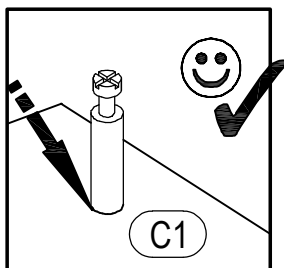
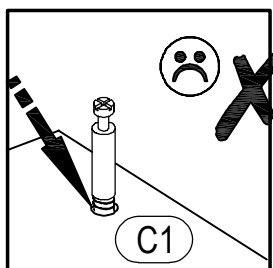
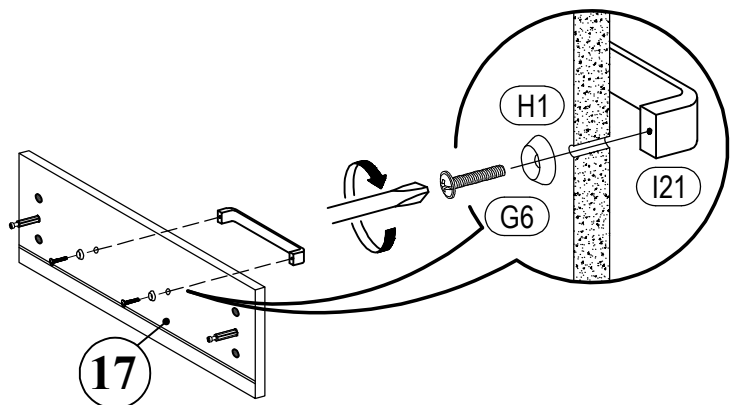
10.1 x1





10.2 x1



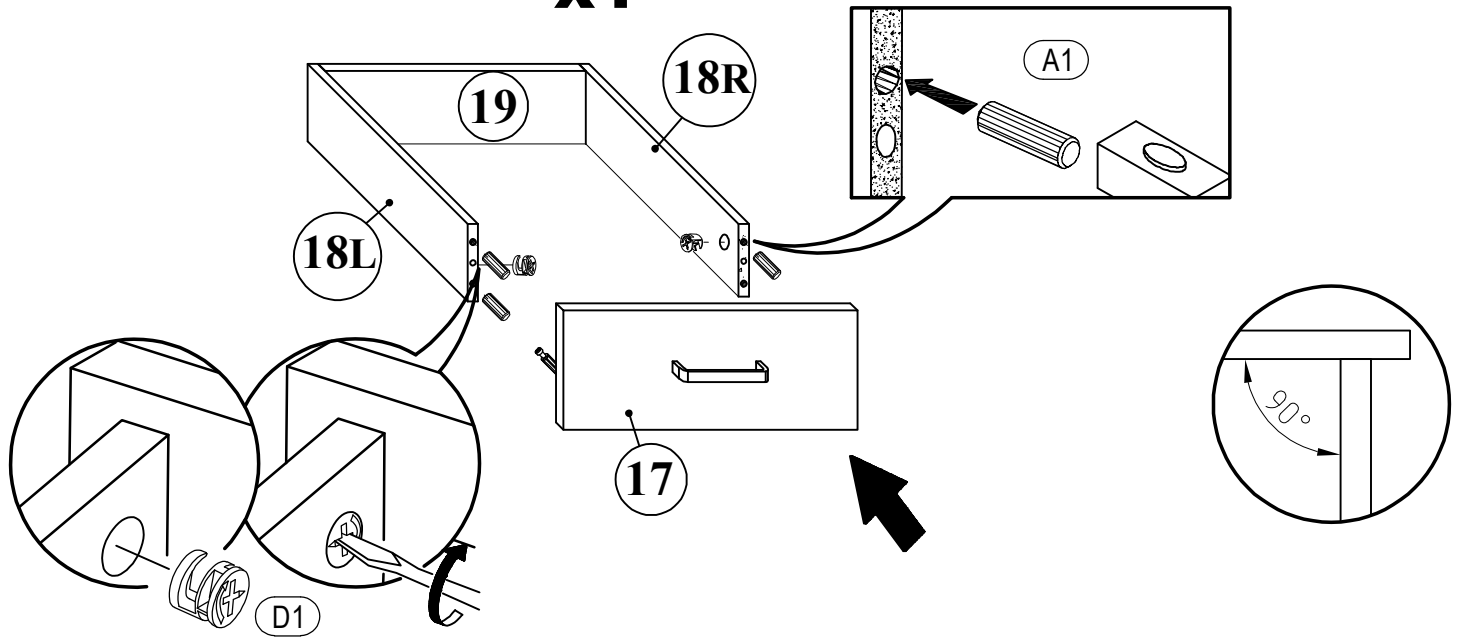
10.3 x1



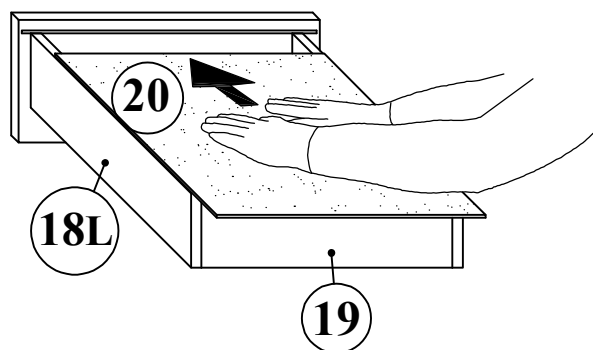
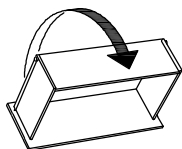
 A1 8*30mm x4	 D1 16mm x2
---	---

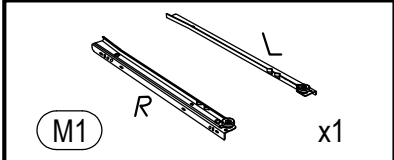

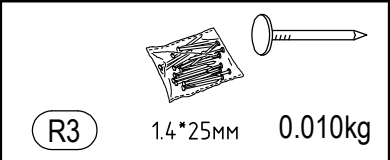
10

10.4 x1



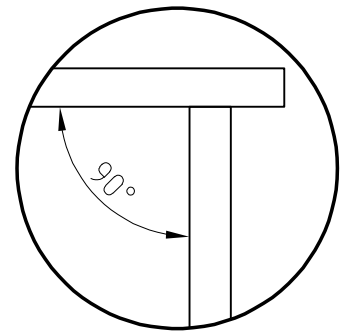
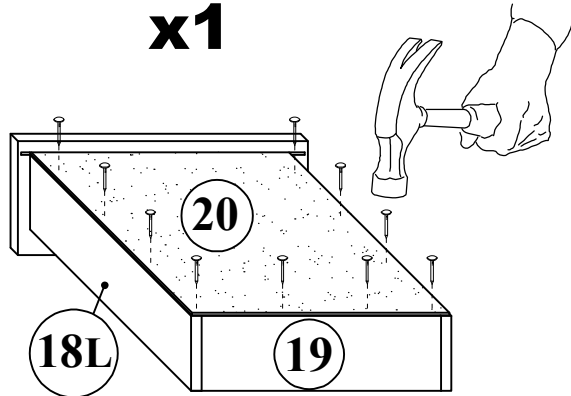
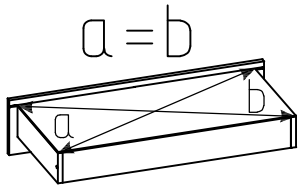
10.5 x1



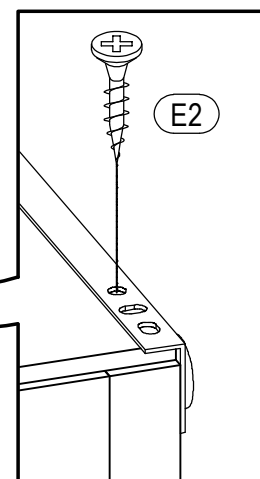
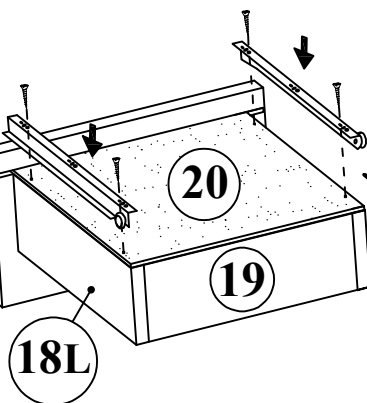
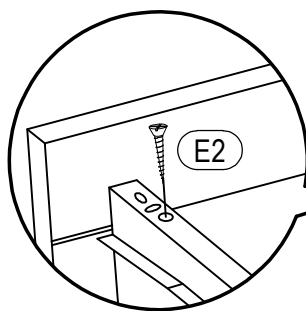
 <p>M1 R x1</p>	 <p>E2 3*13mm x4</p>	 <p>R3 1.4*25MM 0.010kg</p>
--	--	--

10

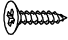
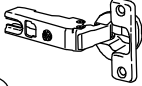

10.6 x1

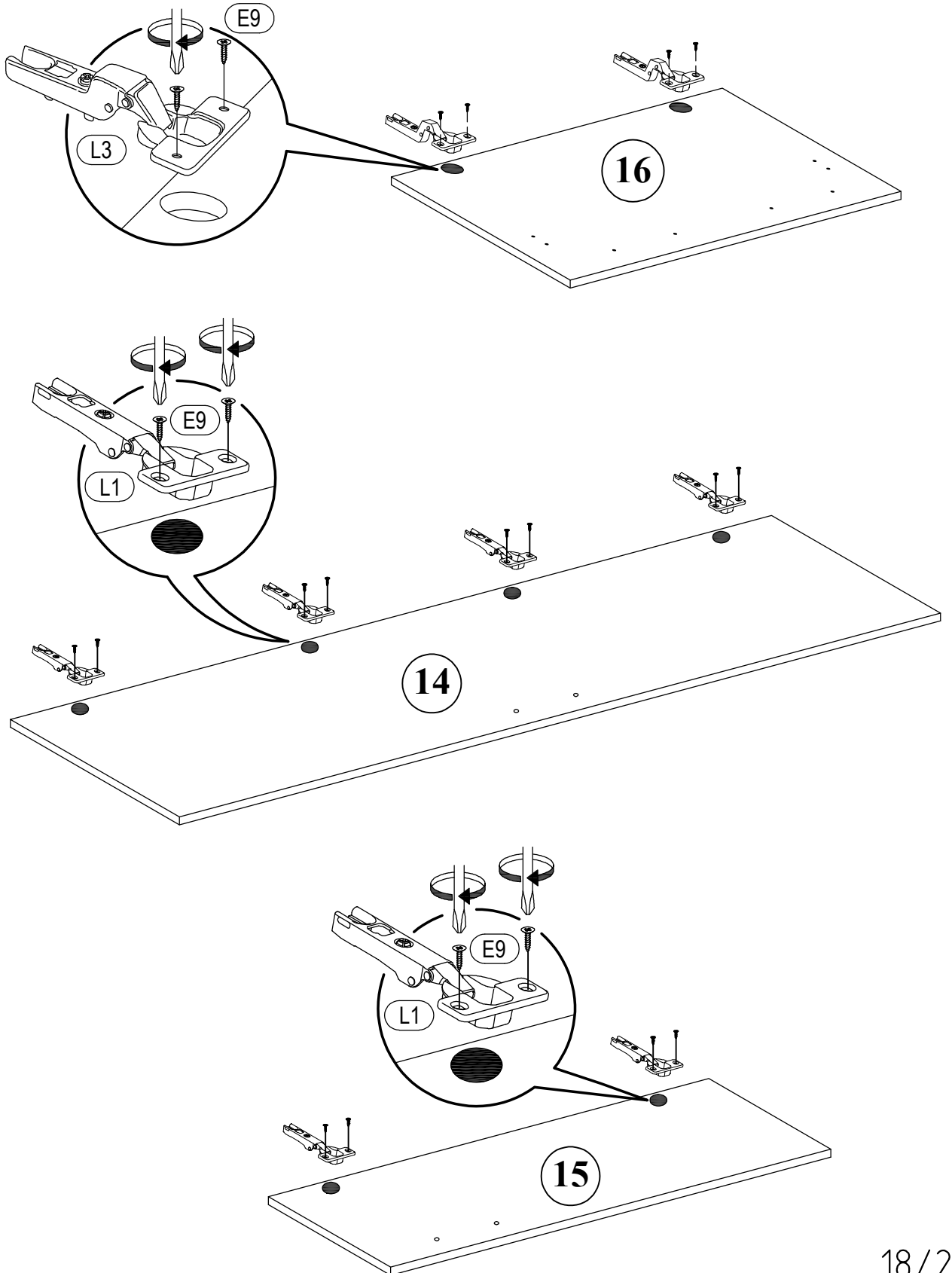


10.7 x1

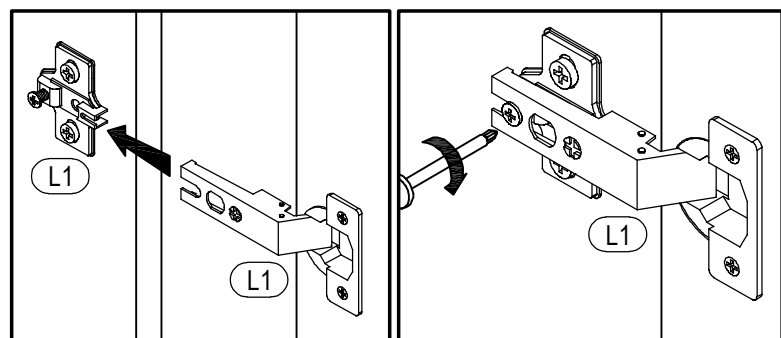
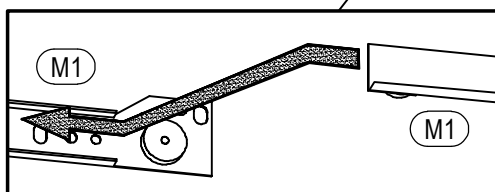
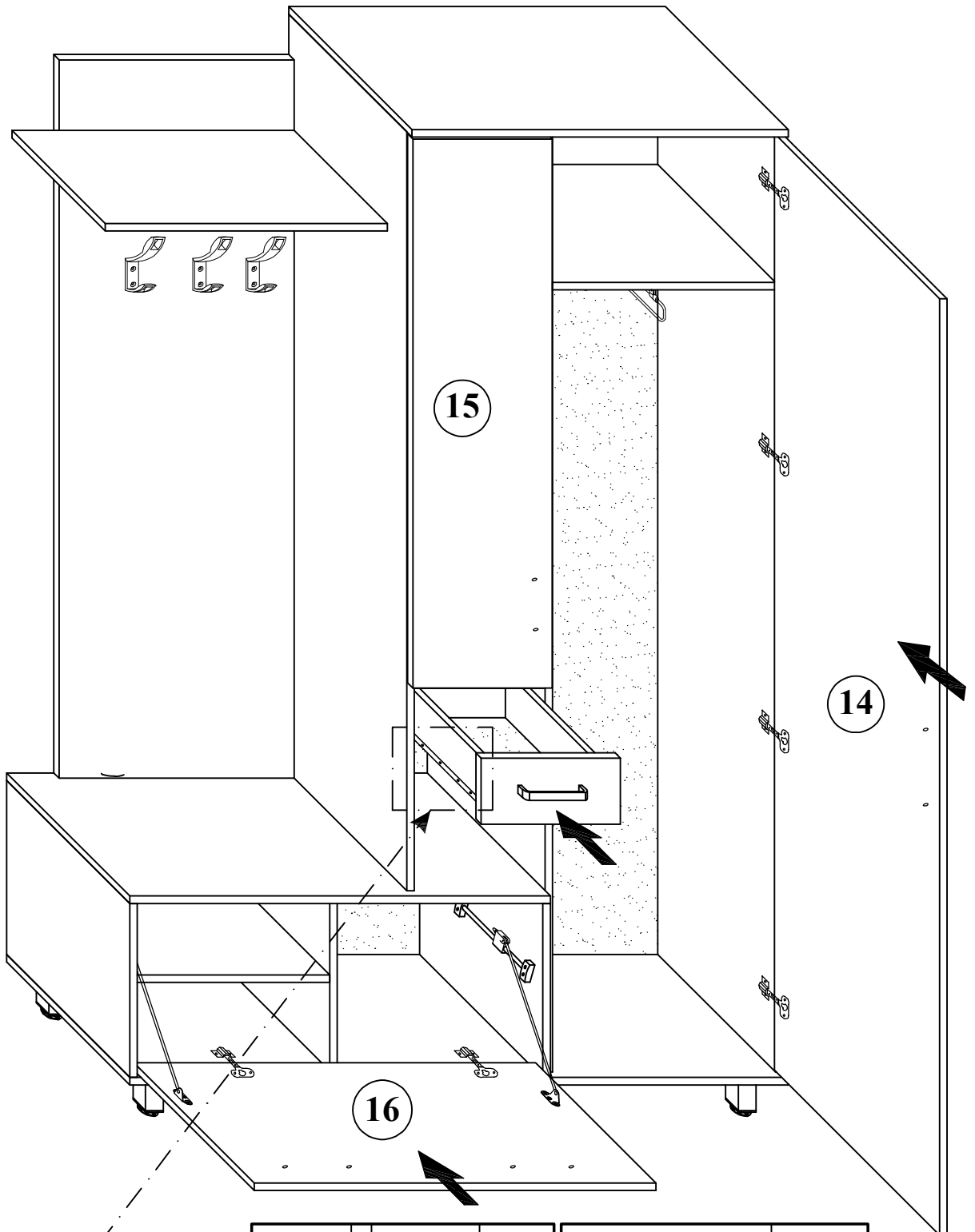


11

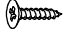



 E9 4*16mm x12	 L1 x2	 L3 x6
--	--	--

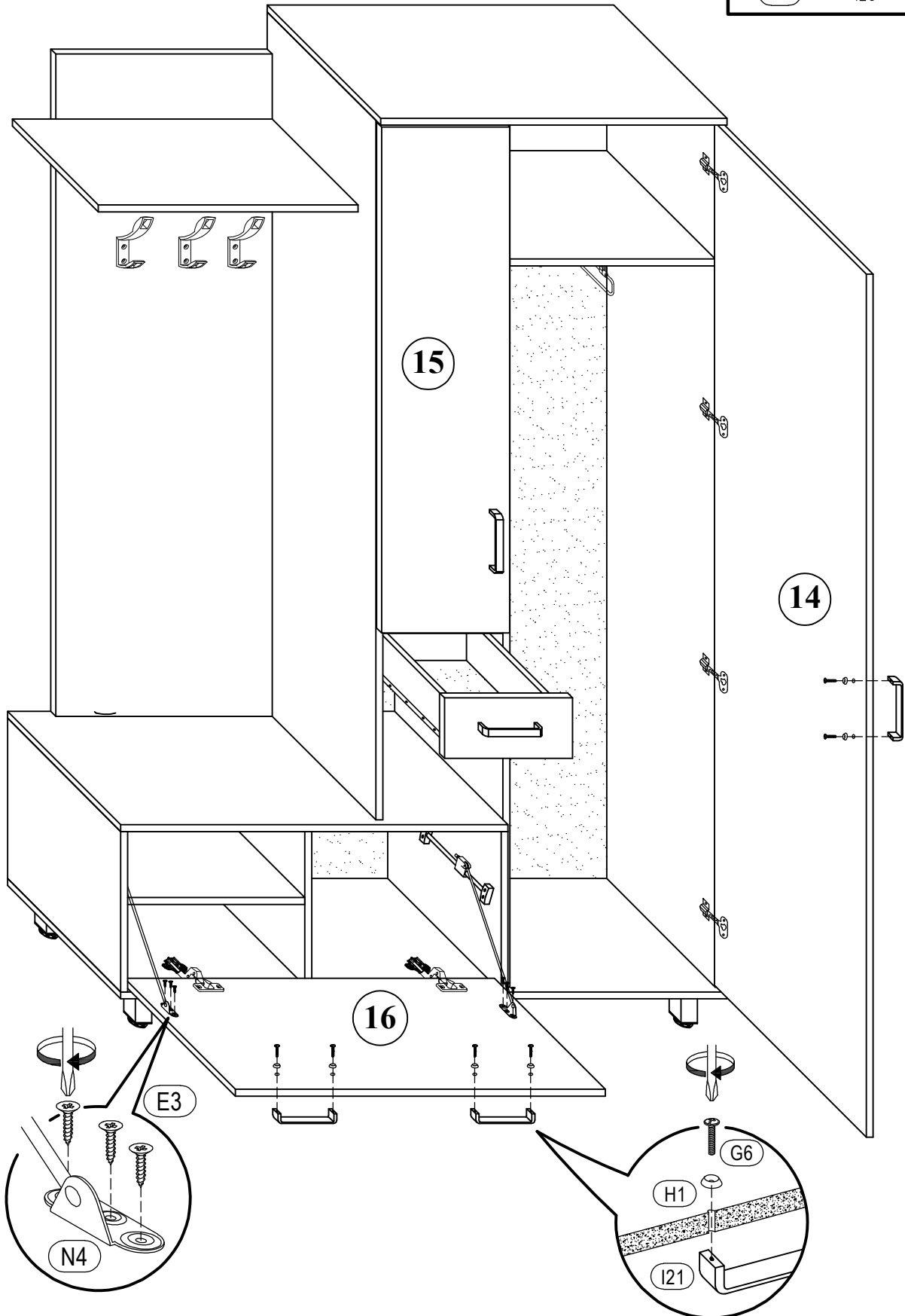


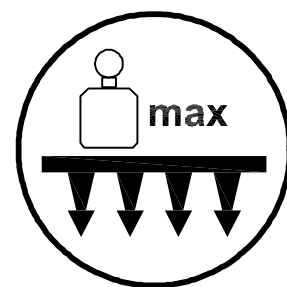
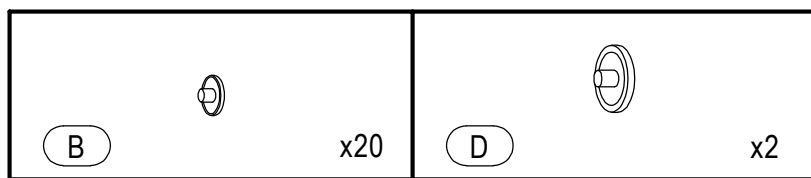
12



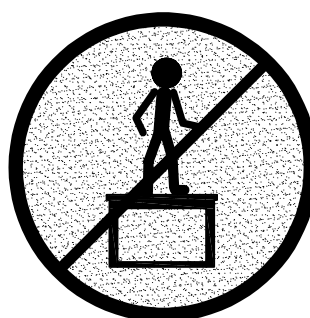
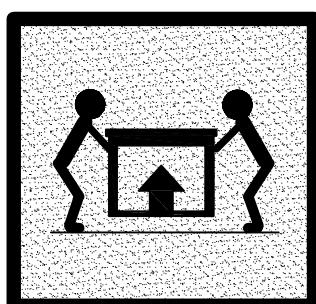
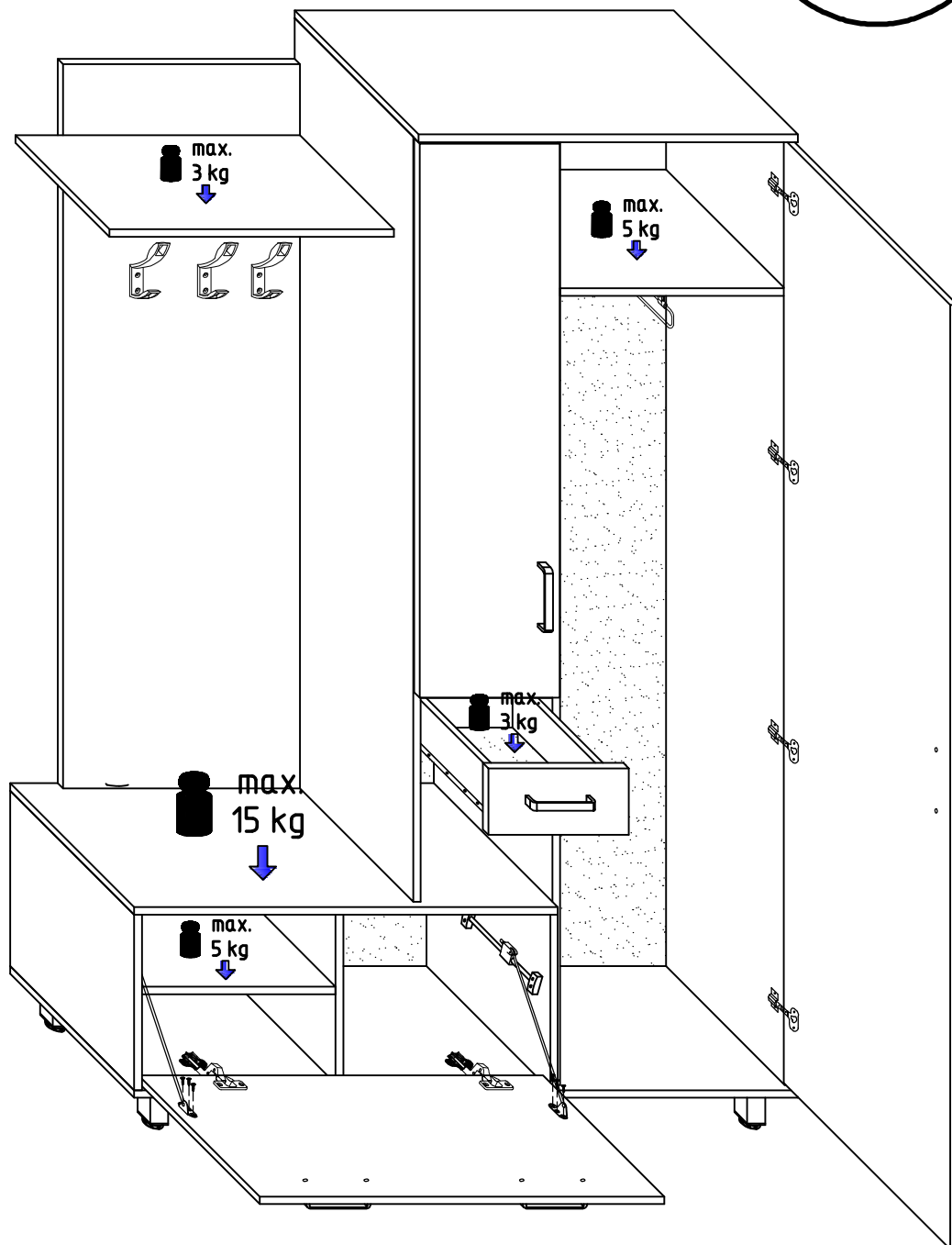
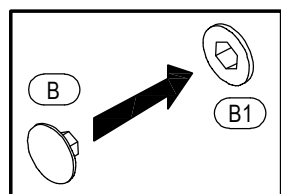
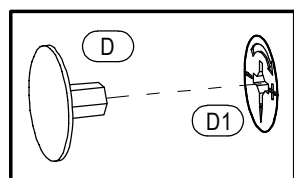
13

 E3 3*15mm x6	 G6 M 4*25mm x8	 H1 M 4 x8
		 I21 128 x4





14



15

