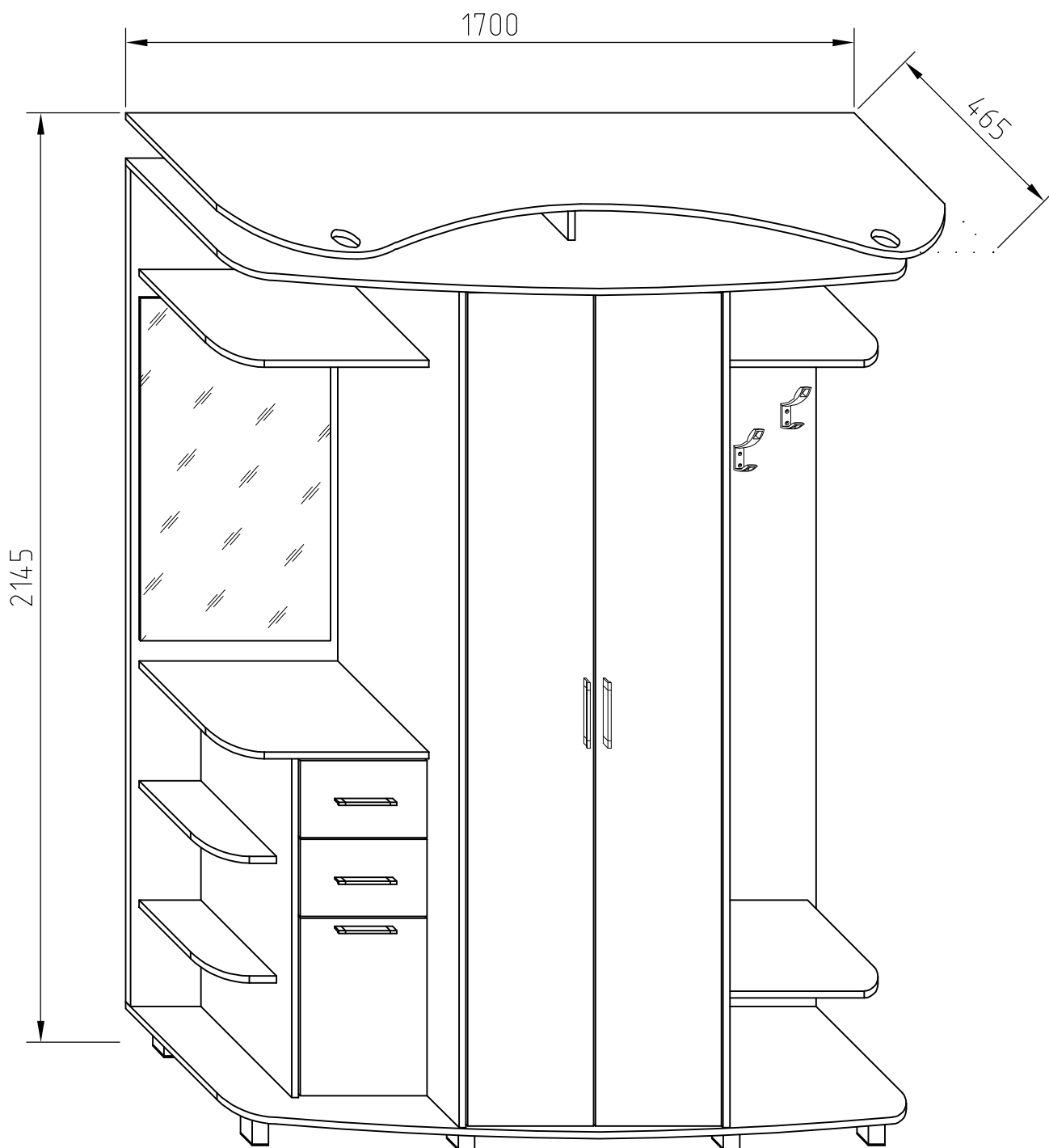
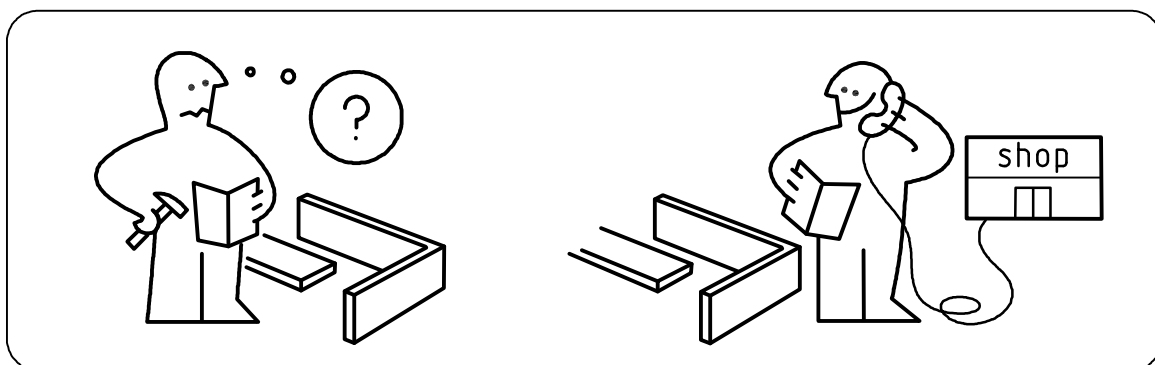
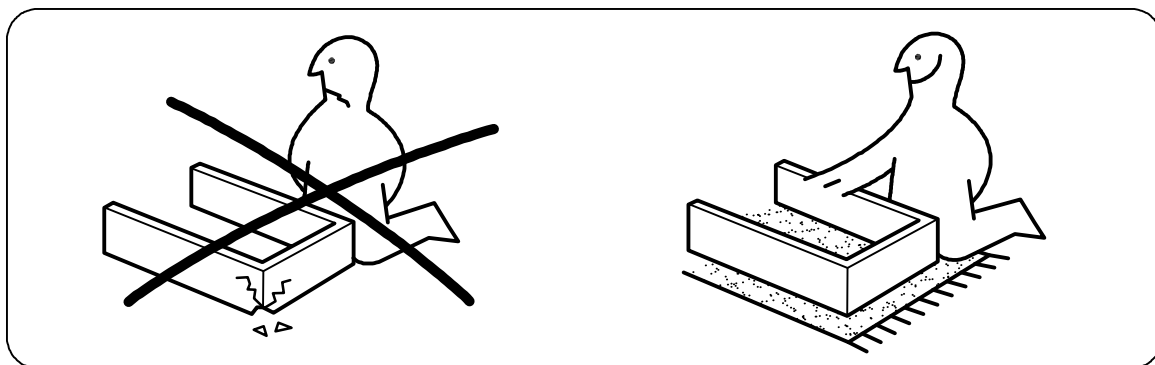
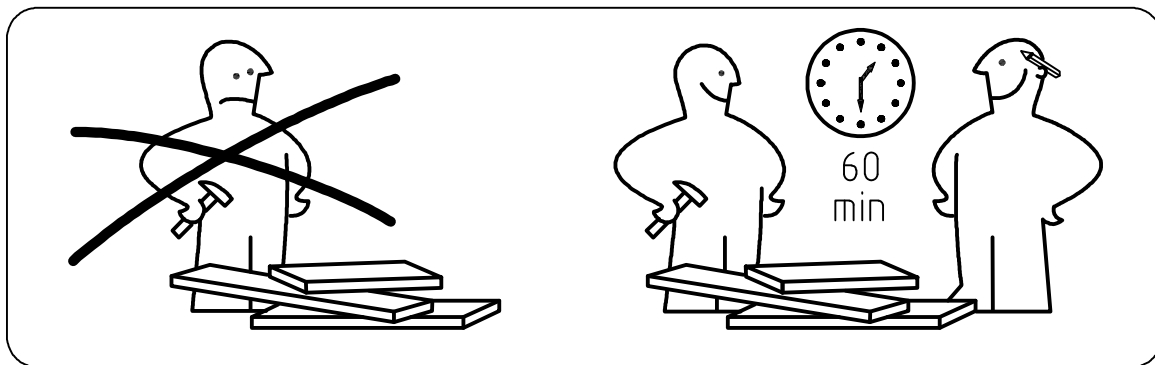
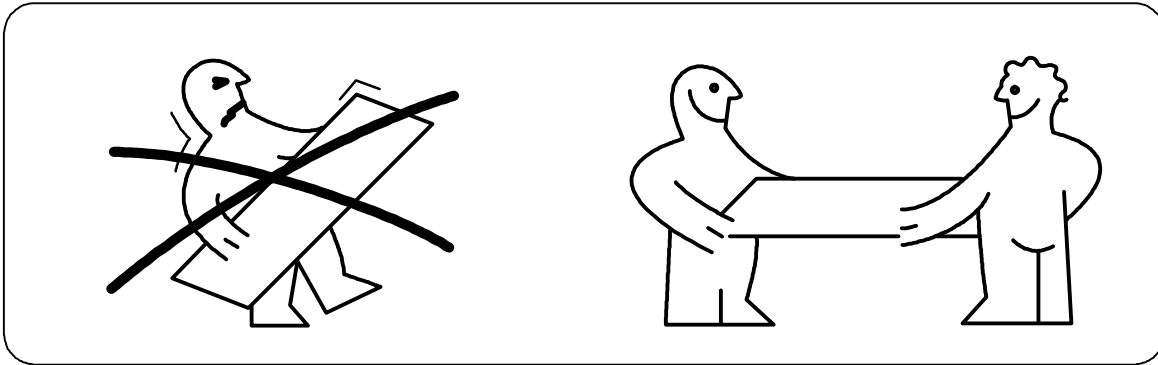
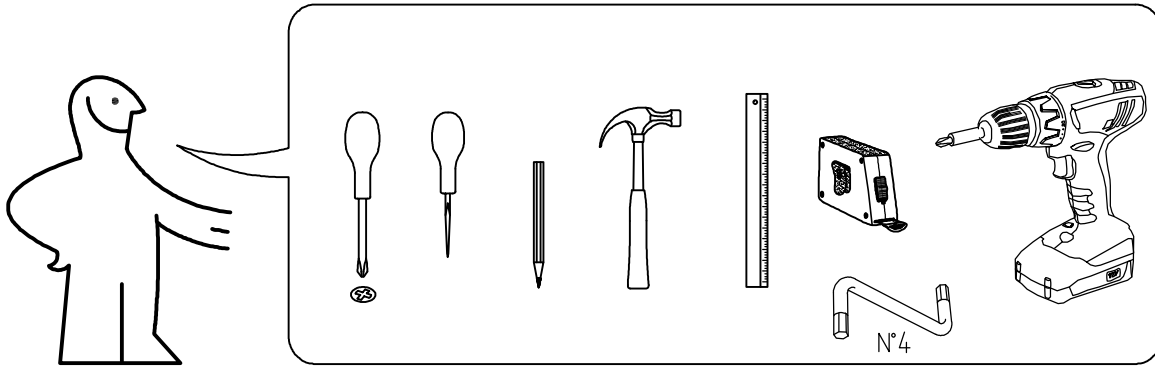













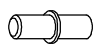
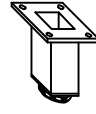
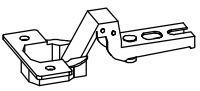
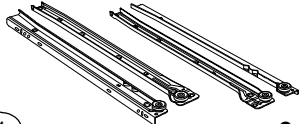
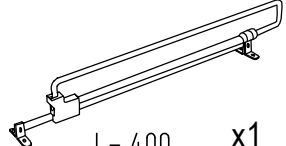
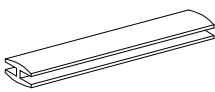

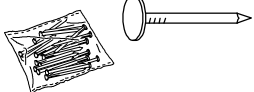
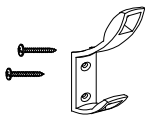
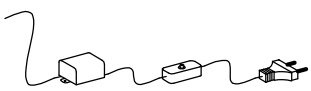
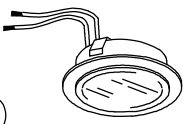



SILHOUETTE 3



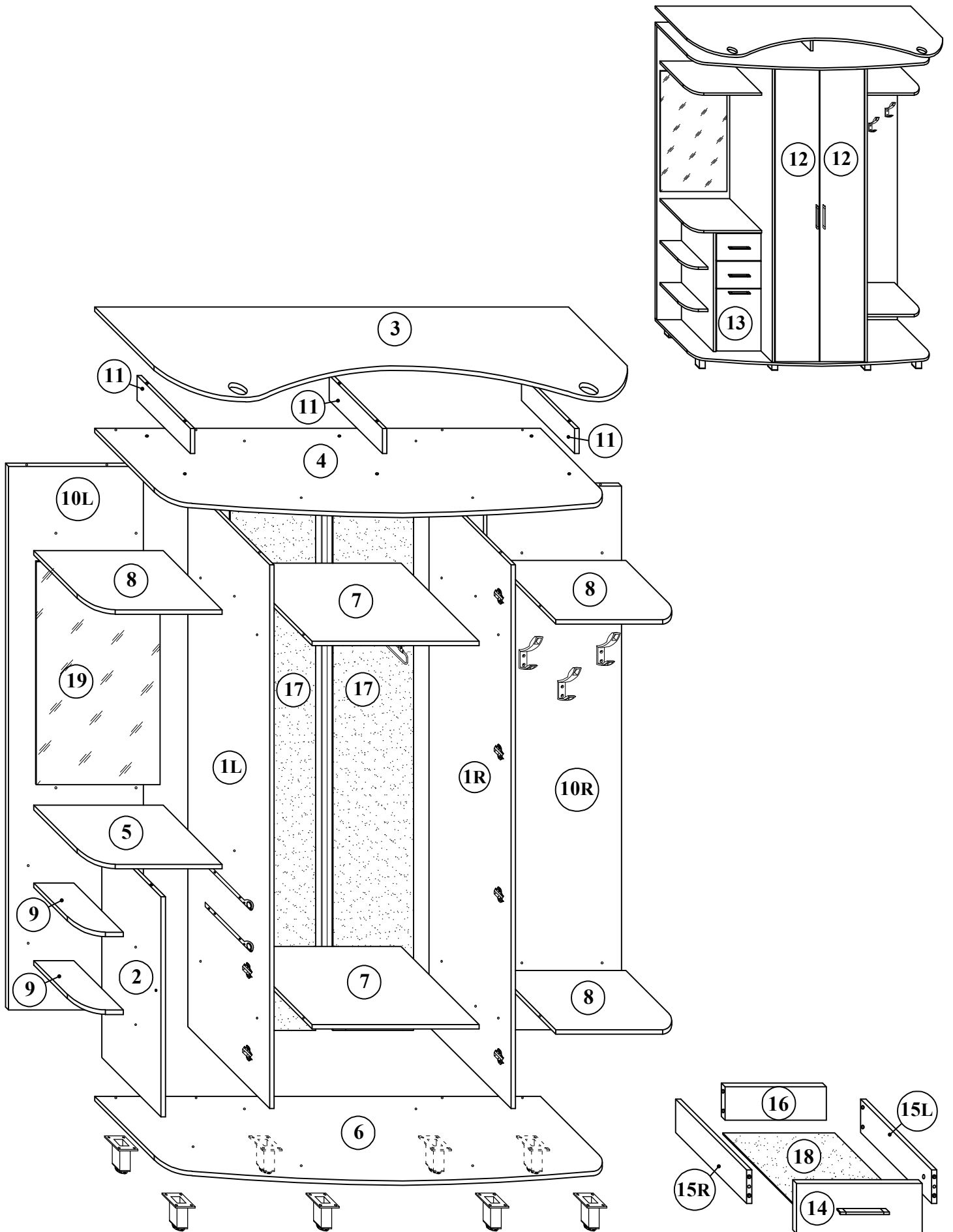


 (A1) 8*30mm x30	 (B) x25	 (B1) 6,3*50mm x48
 (C1) 5*30mm x4	 (D) x4	 (D1) 16mm x4
 (E2) 3*13mm x16	 (E3) 3*15mm x32	 (E9) 4*16mm x24
 (F5) 6,3*13mm x20	 (G5) M 4*22mm x10	 (H1) M 4 x10
 (I19) x5	 (J1) 5*16mm x1	 (K9) H-60mm x8
 (L3) x10	 (M1) L- 250mm x2	 (N6) L- 400 x1
 (P4) L-1950 x1	 (R1) x1	 (R3) 1.4*25mm 0.050kg
 (X4) DW08 x3	 (T1) x1	 (T2) x2



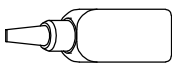
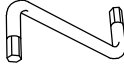
SILHOUETTE 3

No	a*b	x	N°→...
1R	1952x416	x1	2
1L	1952x416	x1	2
2	790x300	x1	2
3	1700x460	x1	1
4	1600x430	x1	3
5	464x300	x1	2
6	1600x430	x1	3
7	600x396	x2	5
8	464x300	x3	3
9	144x250	x2	5
10R	1952x484	x1	1
10L	1952x484	x1	1
11	270x90	x3	1
12	1944x294	x2	4
13	414x296	x1	2
14	180x296	x2	2
15R	120x270	x2	5
15L	120x270	x2	5
16	120x246	x2	5
17	1980x314	x2	6
18	274x274	x2	6
19	800x445	x1	
		x1	5

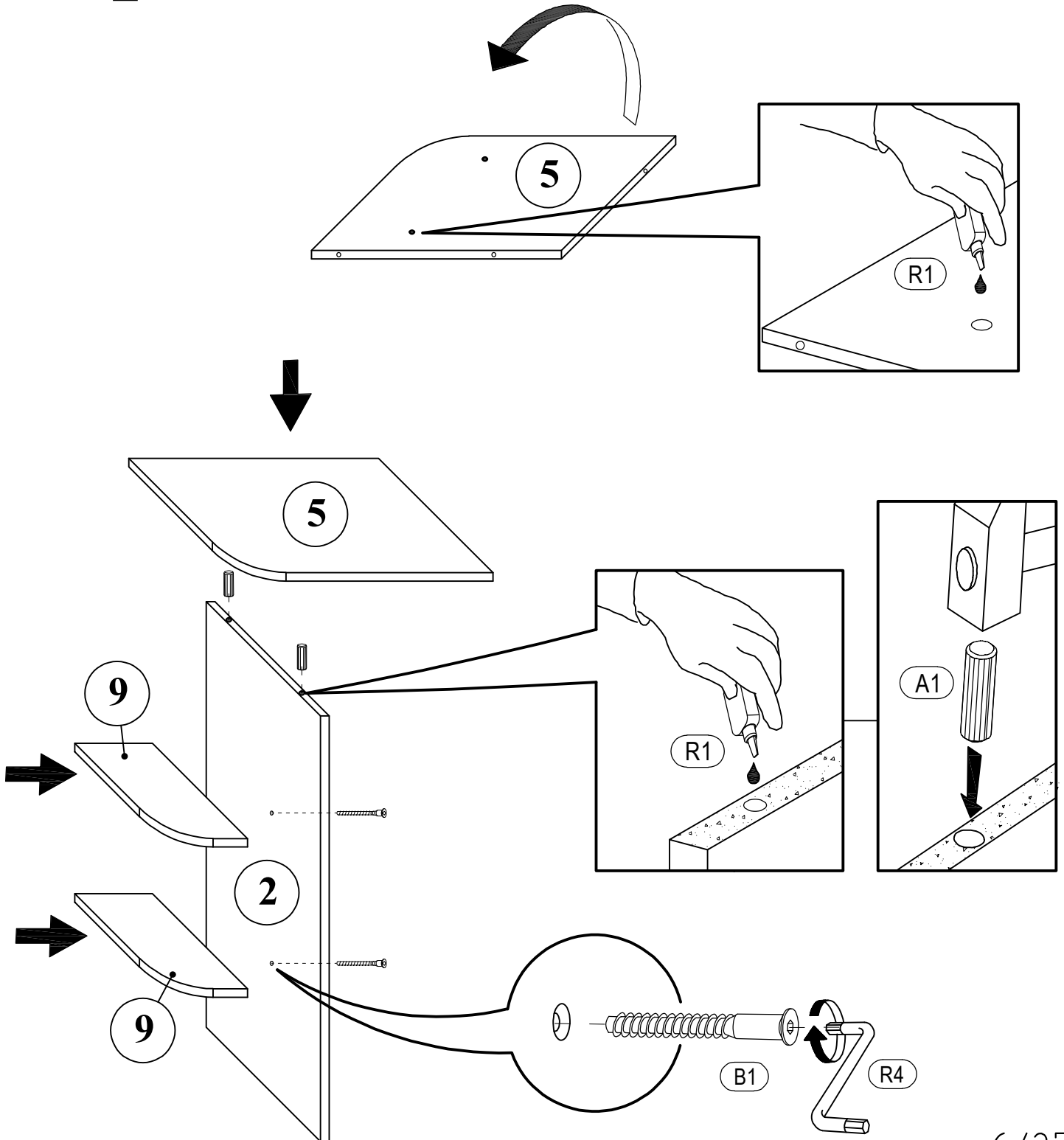
SILHOUETTE 3


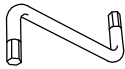


SILHOUETTE 3

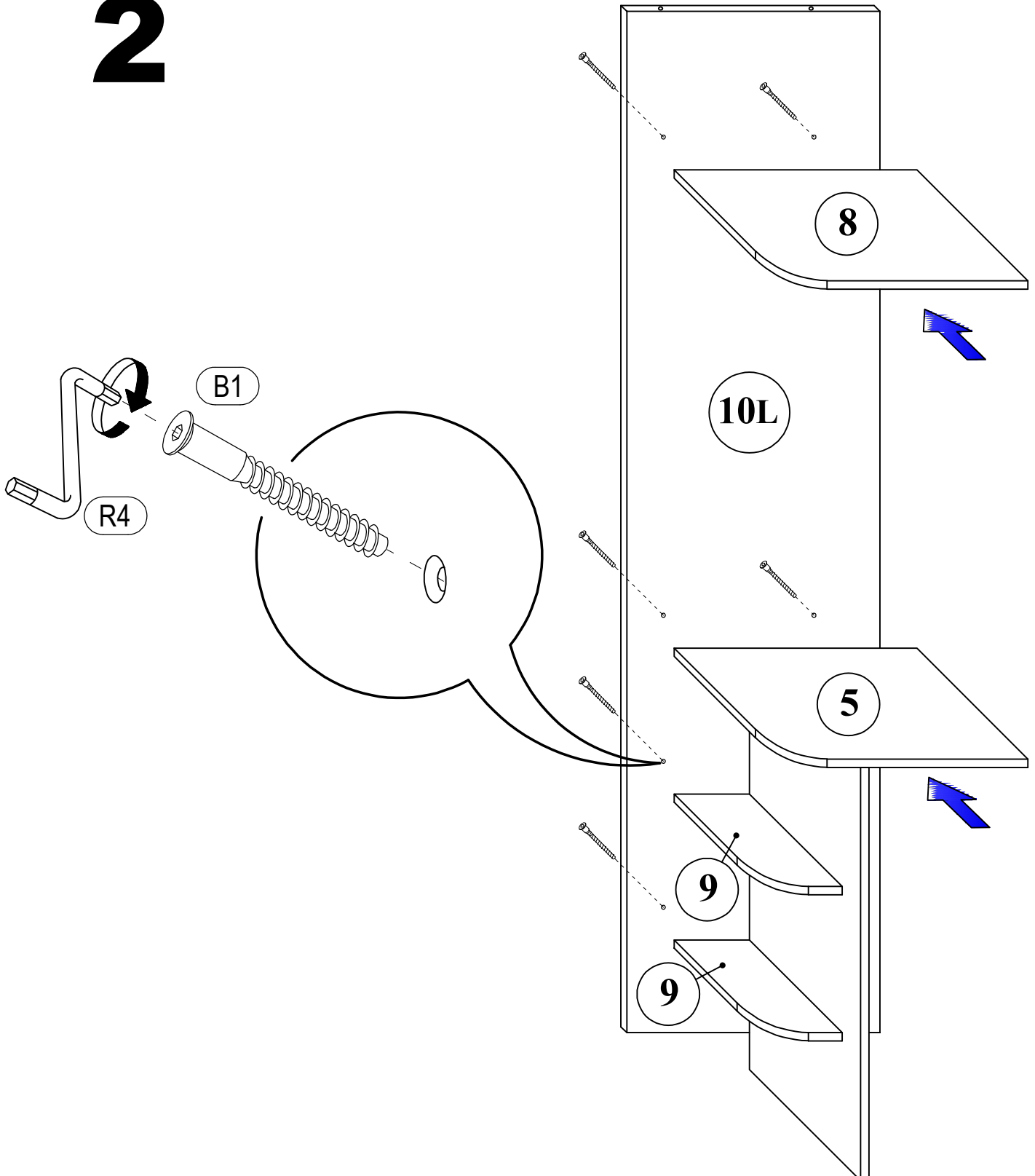
 <p>(A1) 8*30mm x2</p>	 <p>(B1) 6,3*50mm x2</p>	 <p>(R1)</p>
		 <p>(R4) N°4</p>

1



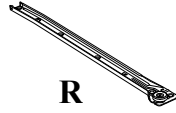
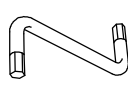


 B1 6,3*50mm x6	 R4 N°4
---	---

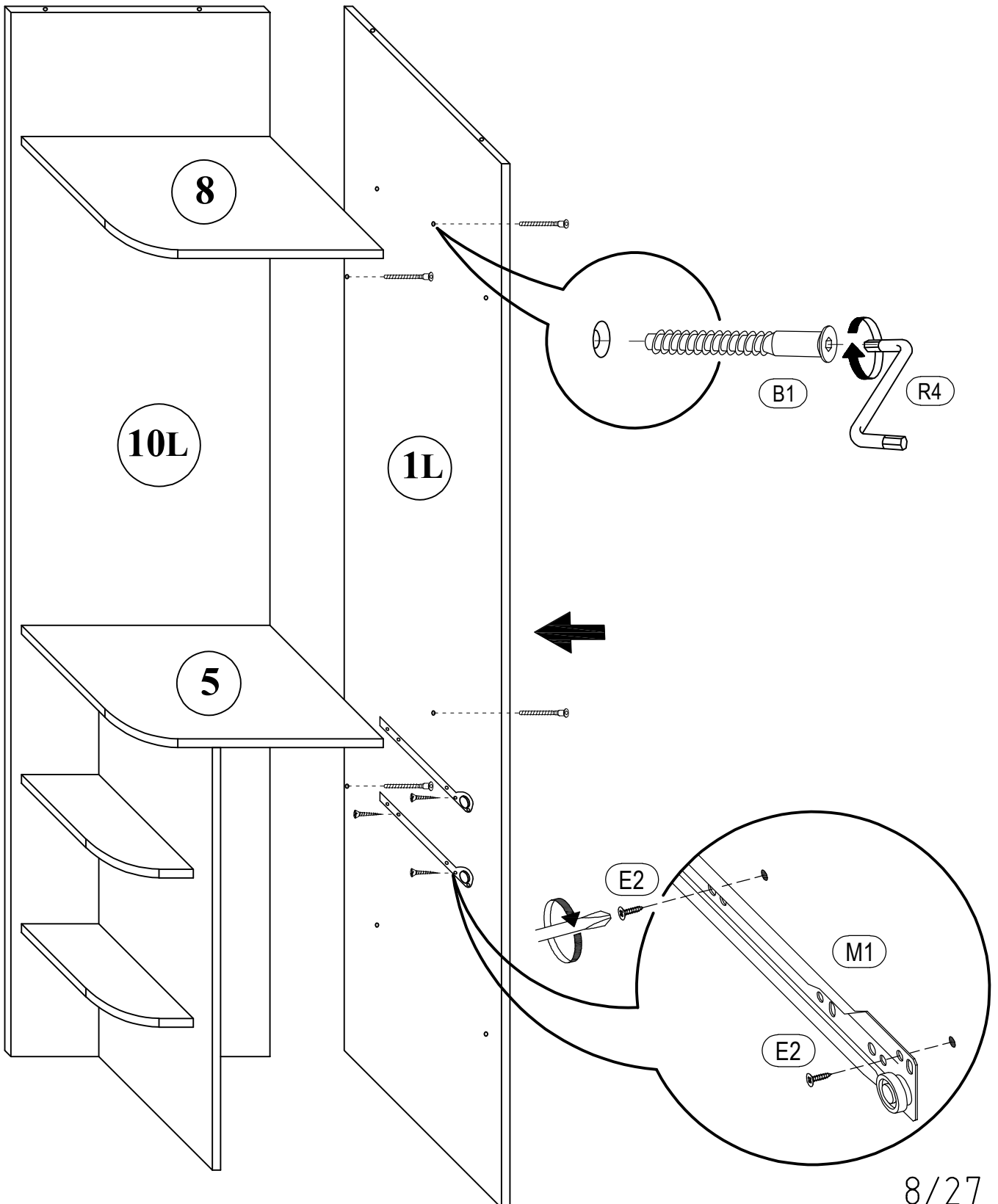
2




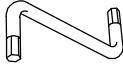
SILHOUETTE 3

 B1 6,3*50mm x4	 E2 3*13mm x4	 M1 R x2
		 R4 N°4

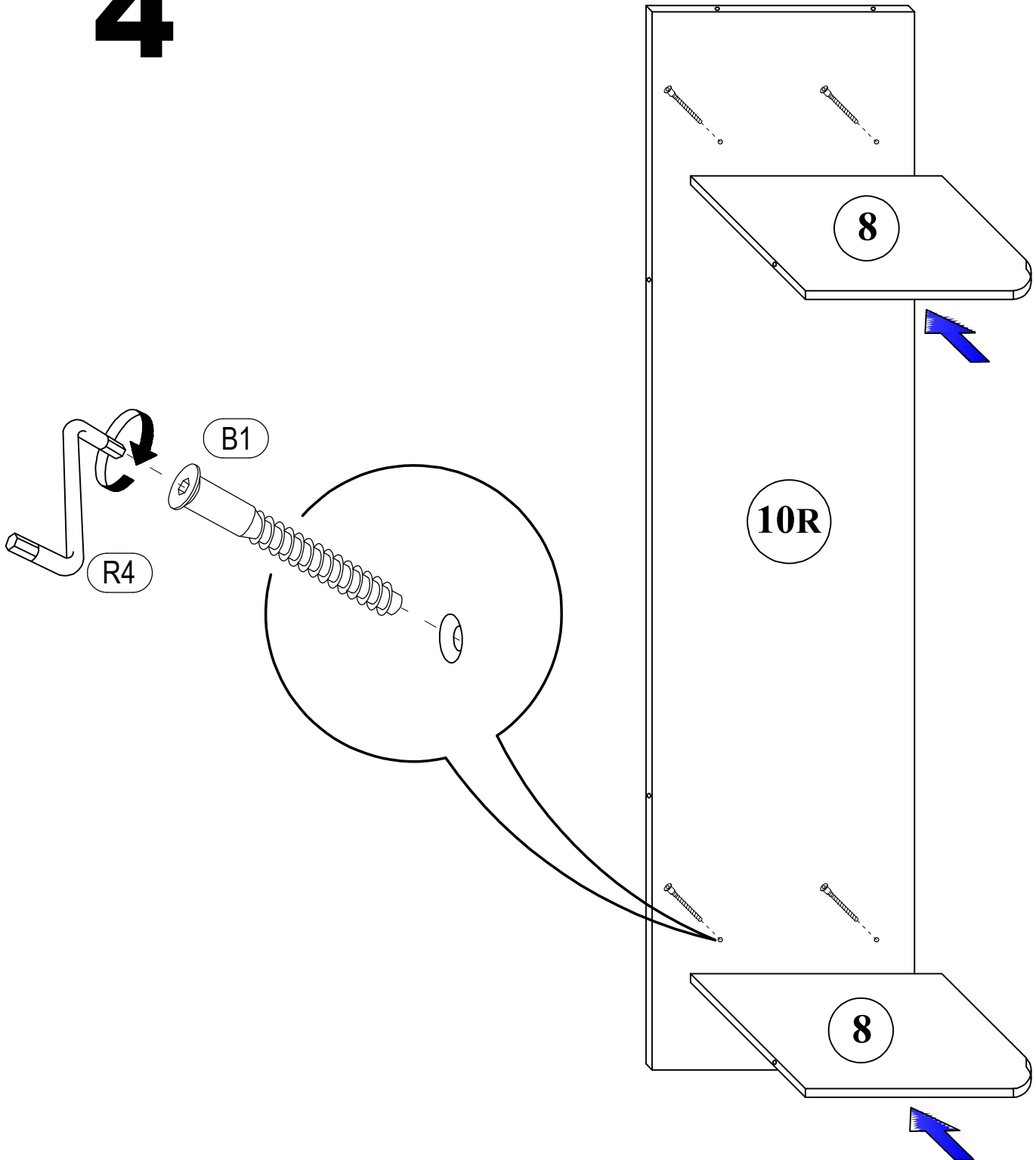
3




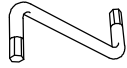
SILHOUETTE 3

	
B1 6,3*50mm x4	R4 N°4

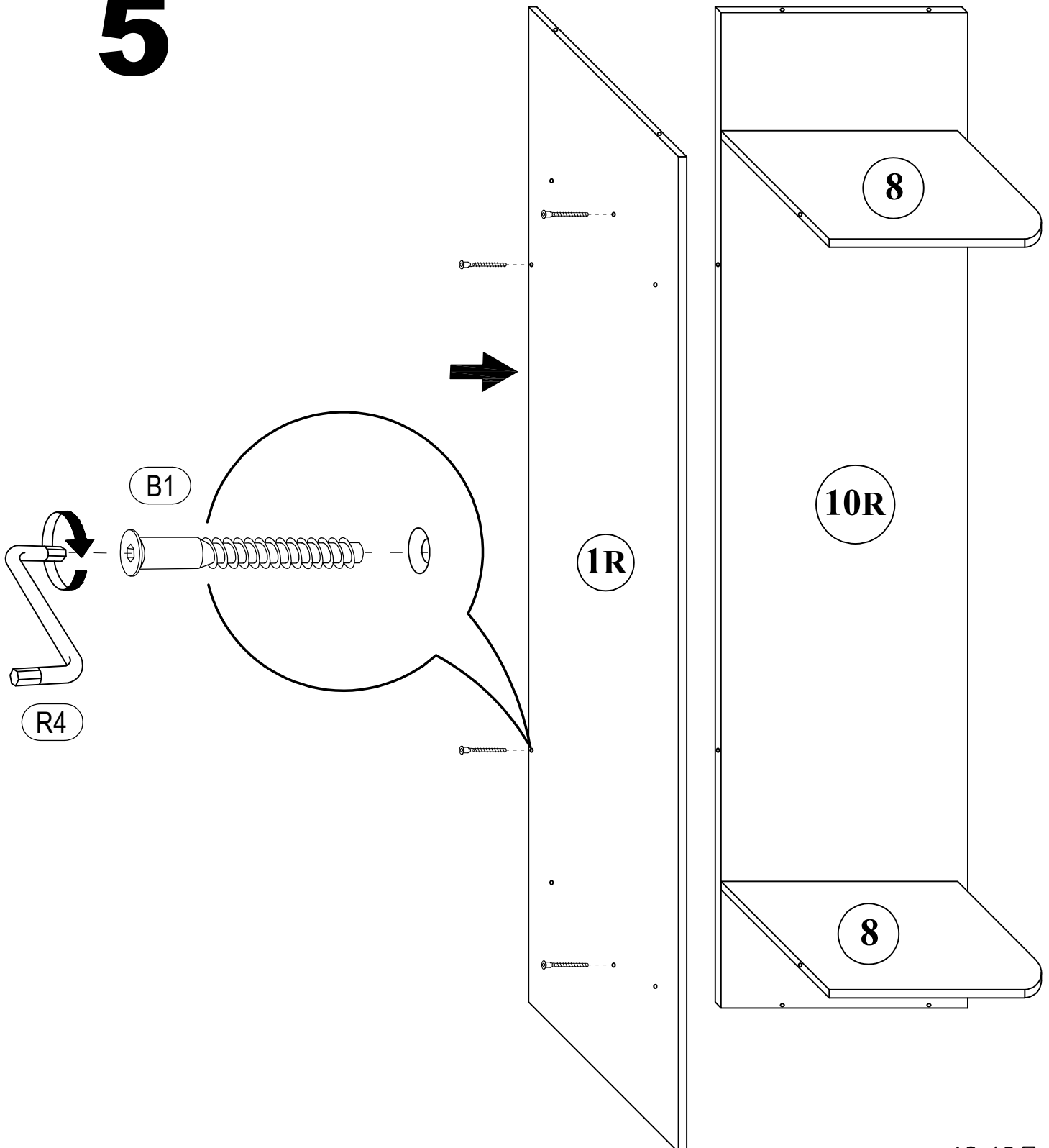
4




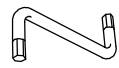
SILHOUETTE 3

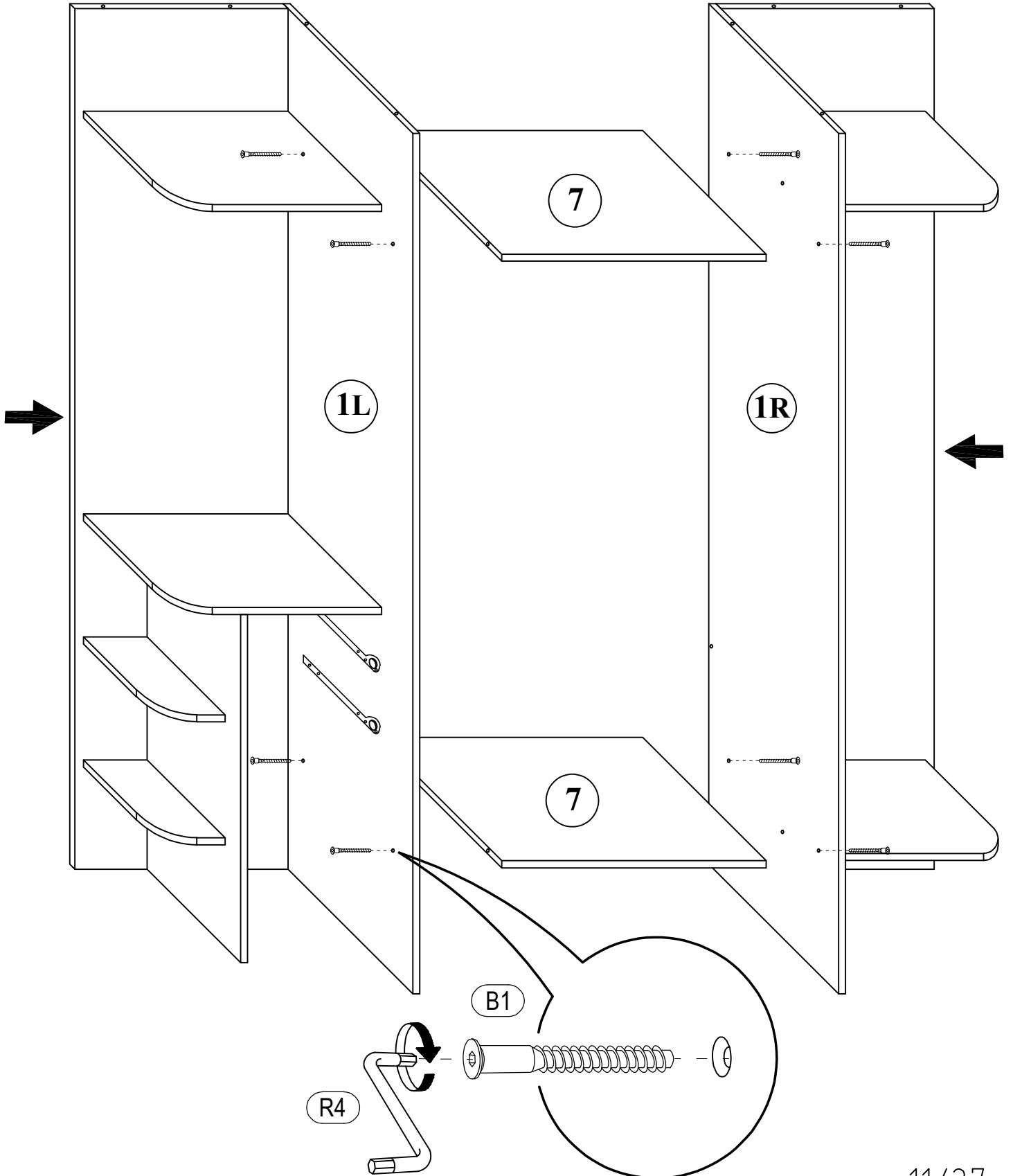
 (B1) 6,3*50mm x4	 (R4) N°4
--	--

5

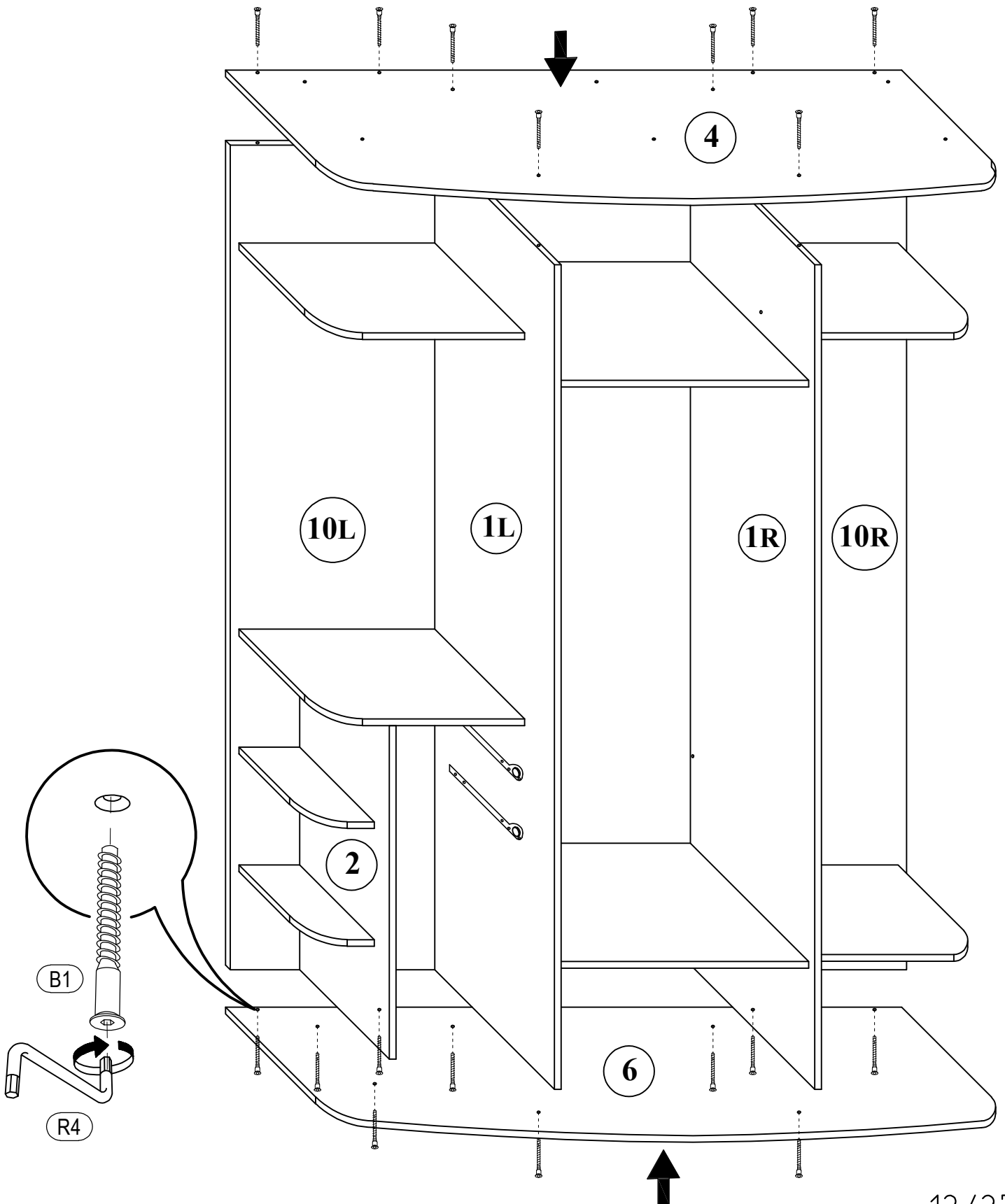
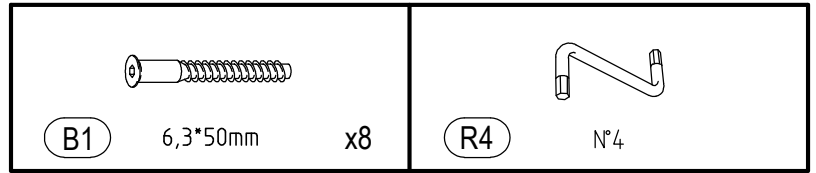


6

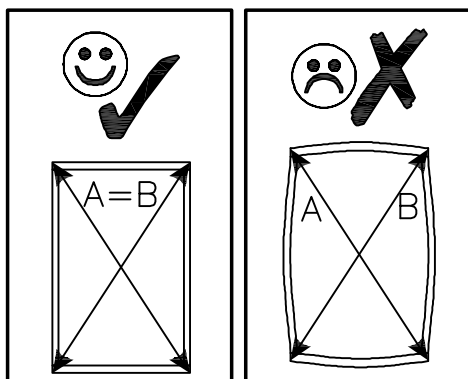
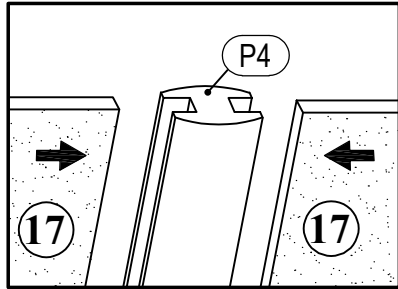
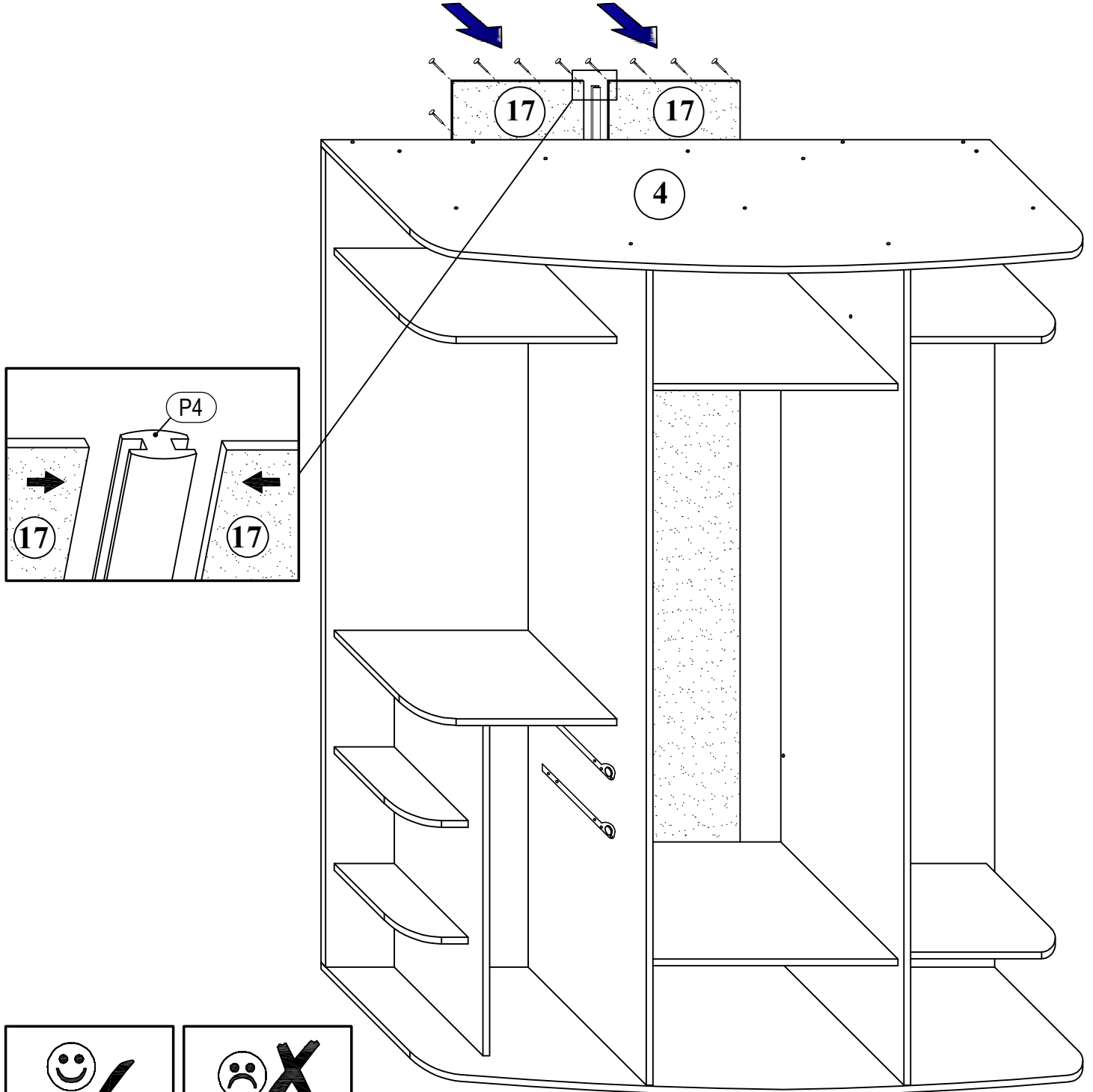
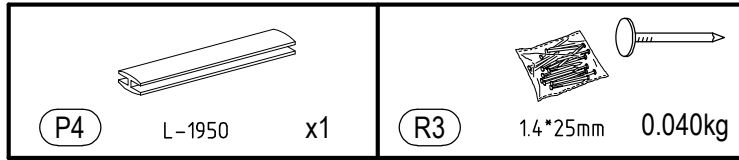
	
B1 6,3*50mm x8	R4 N°4




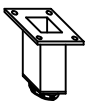
7

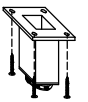
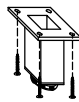
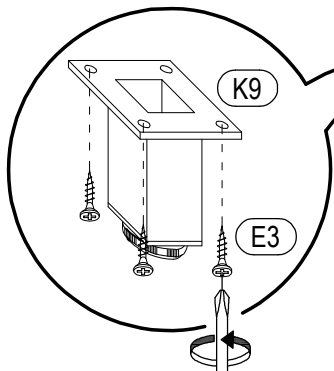
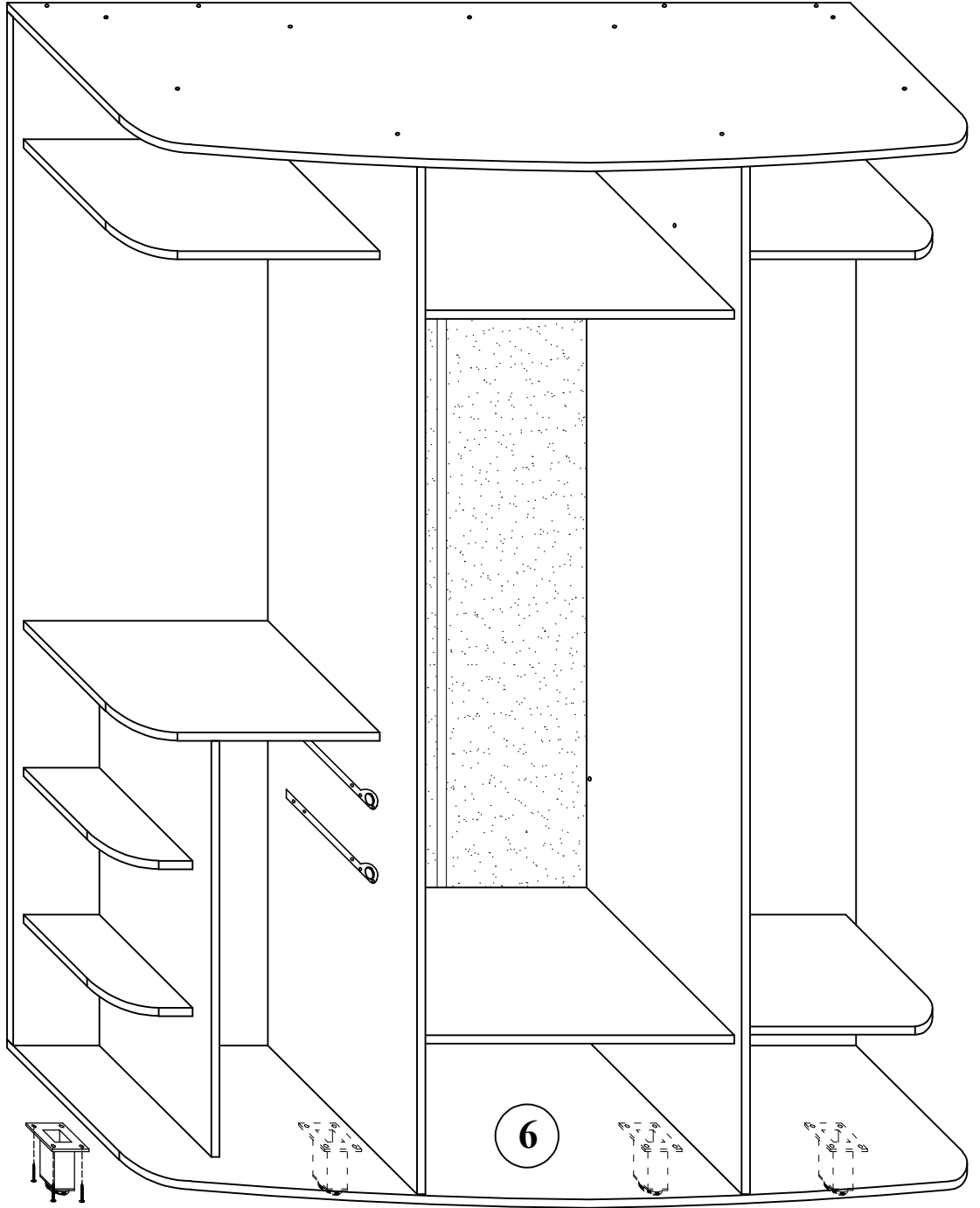


8

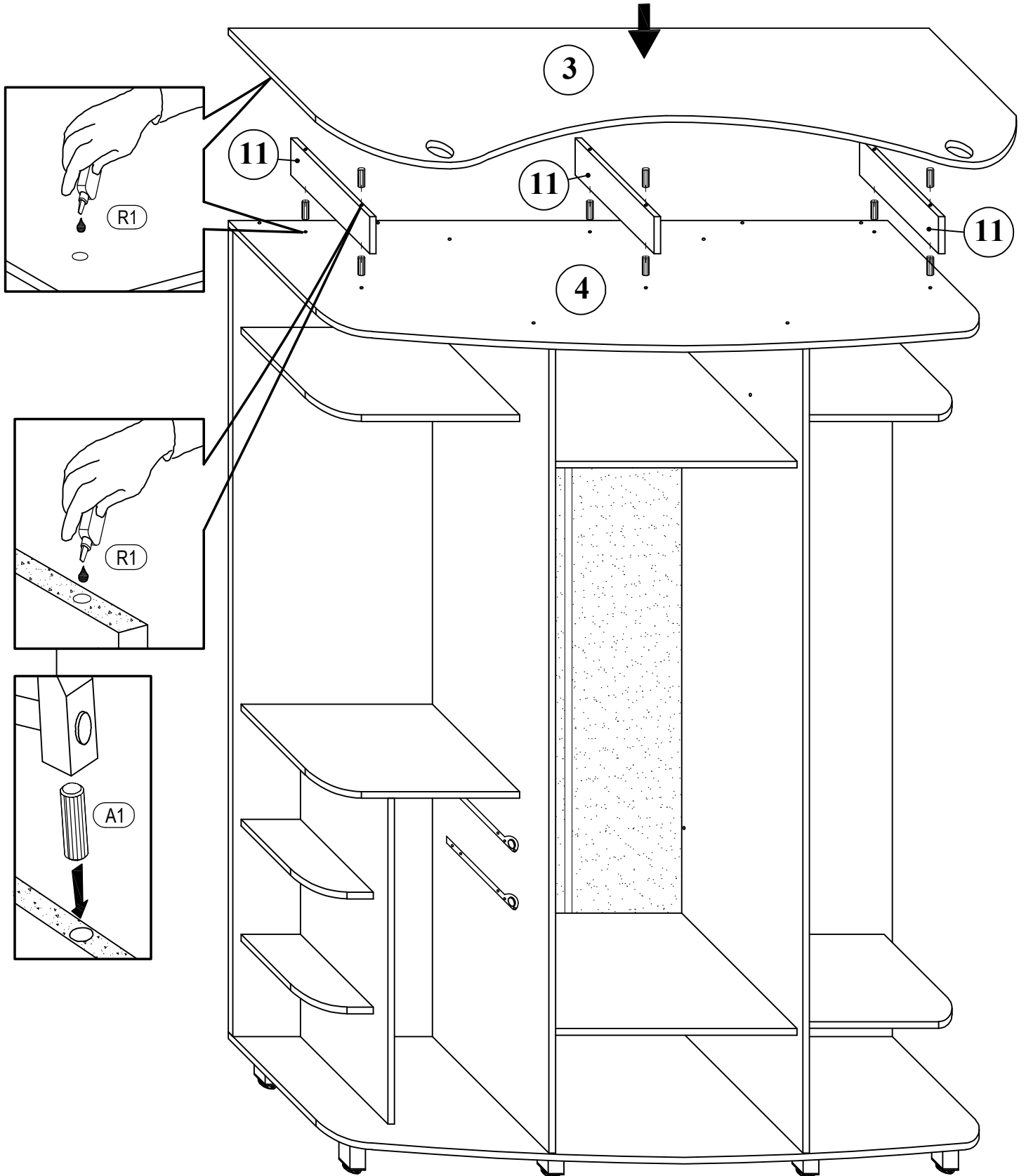
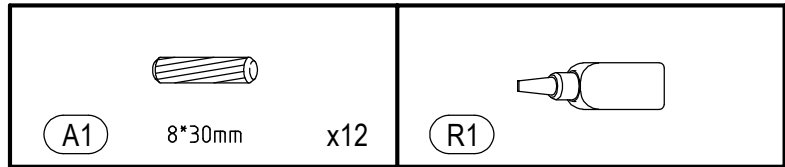



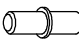
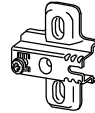
9

	
(E3) 3*15mm x32	(K9) H-60mm x8

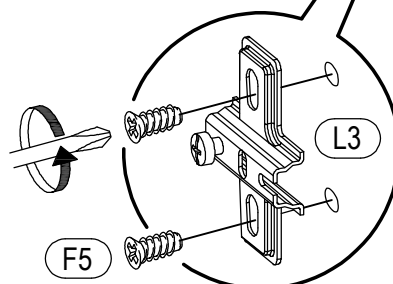
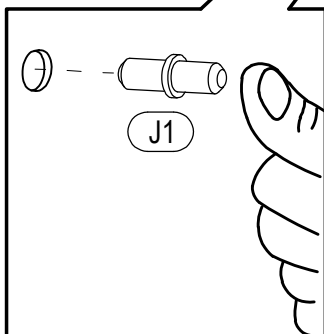
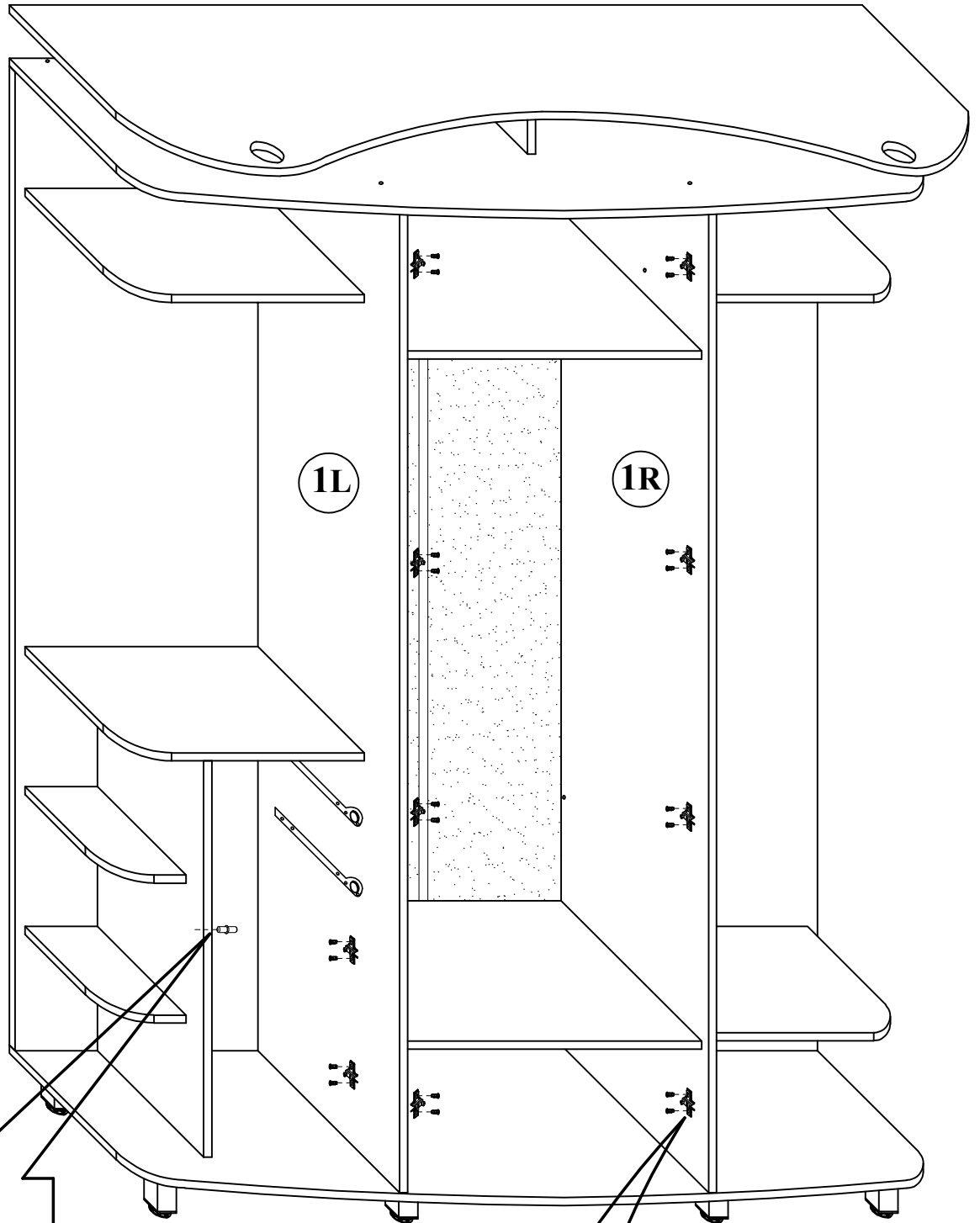


10

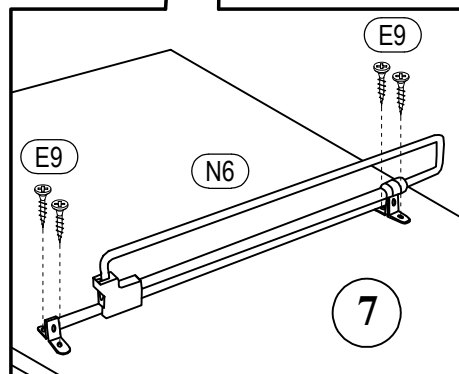
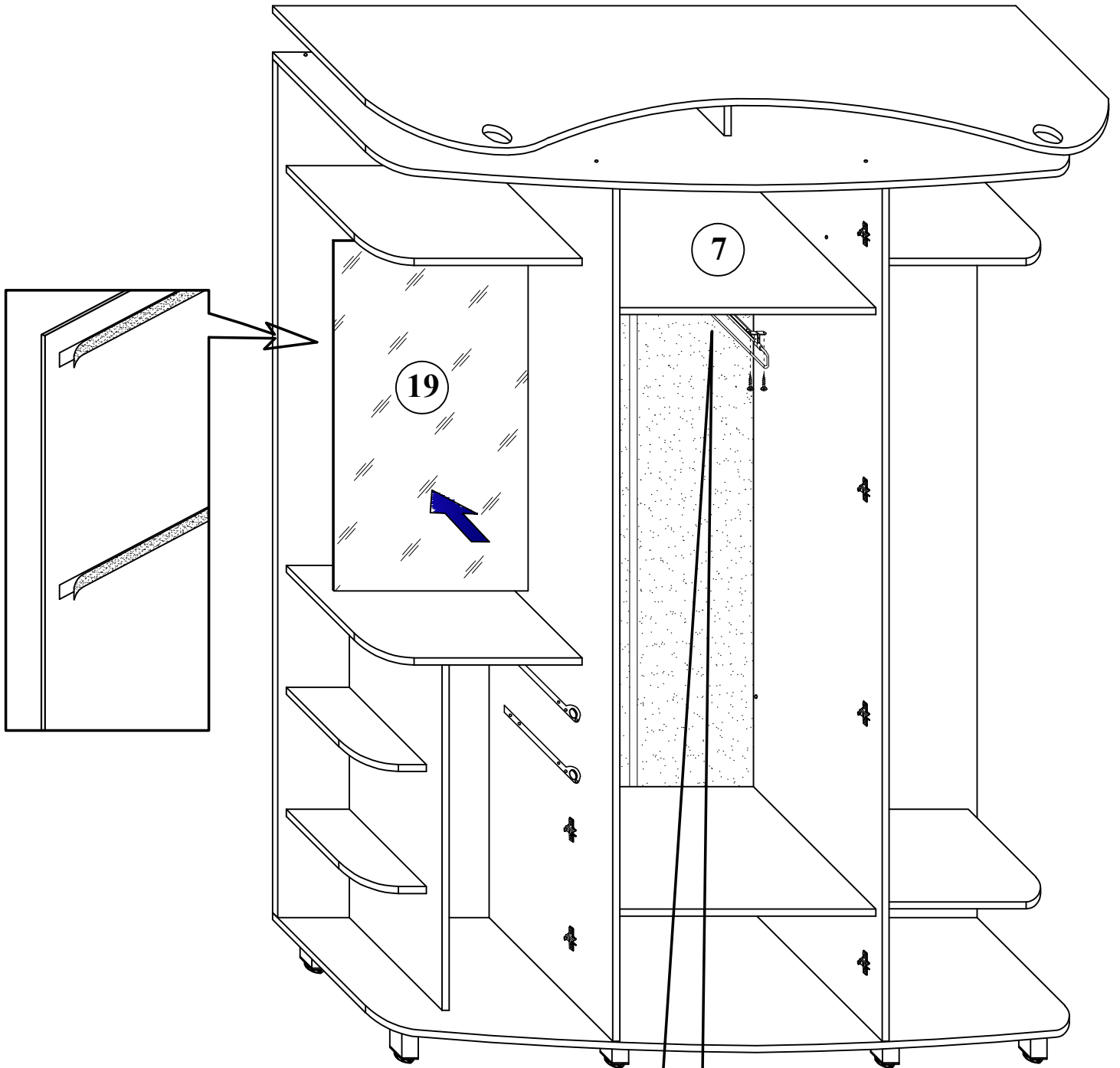
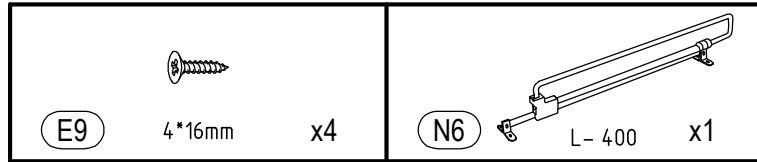


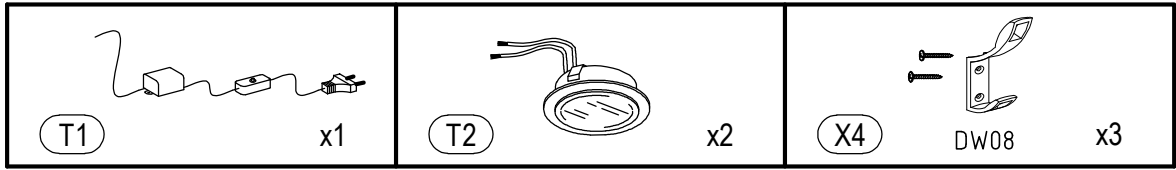
 F5 6,3*13mm x20	 J1 5*16mm x1	 L3 x10
--	---	---

11

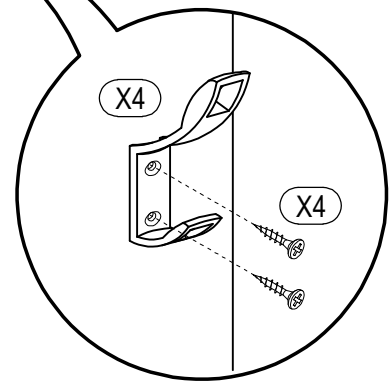
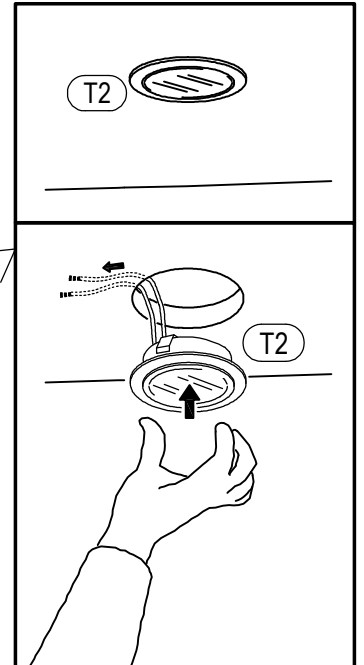
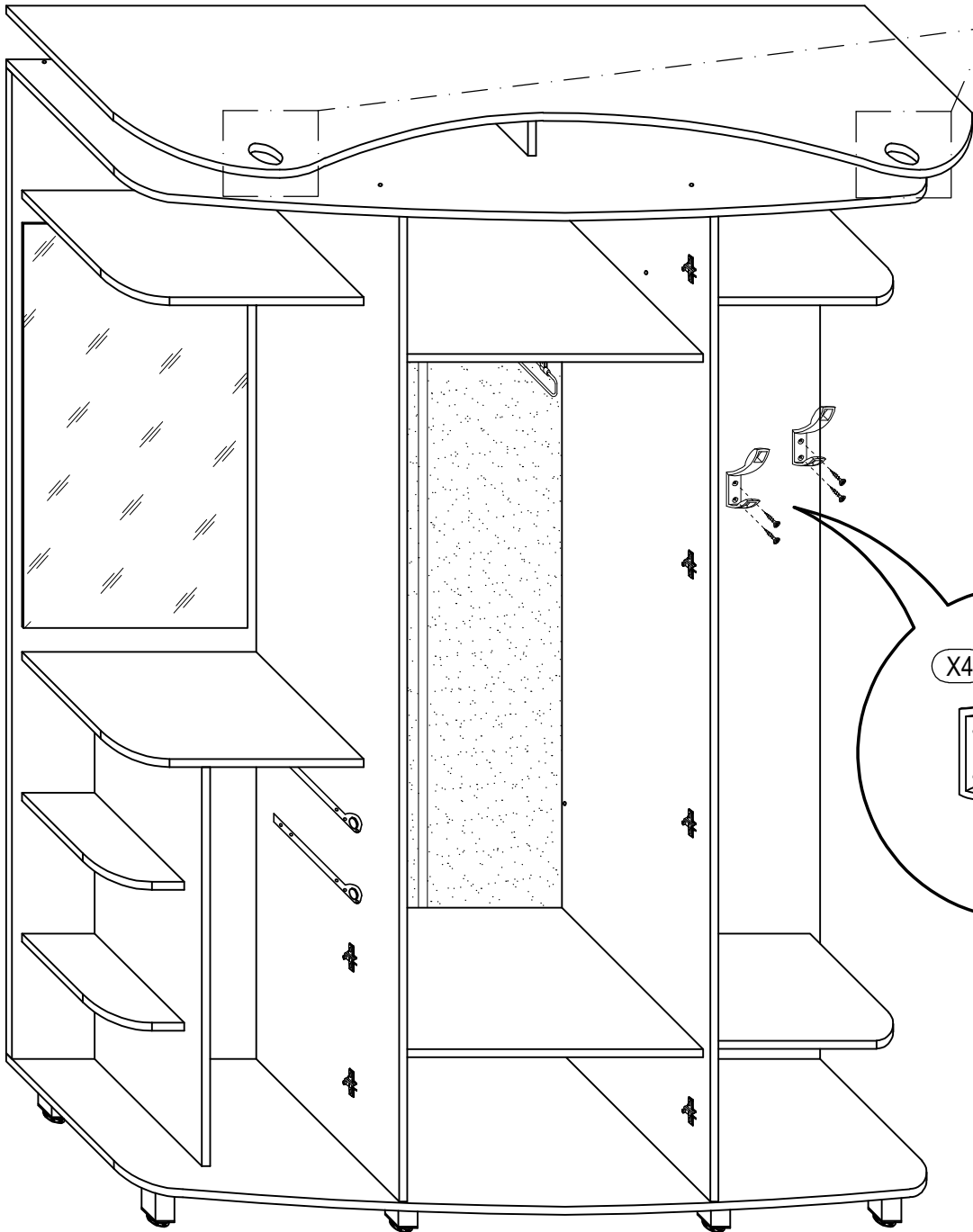


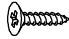
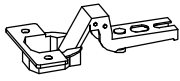
12





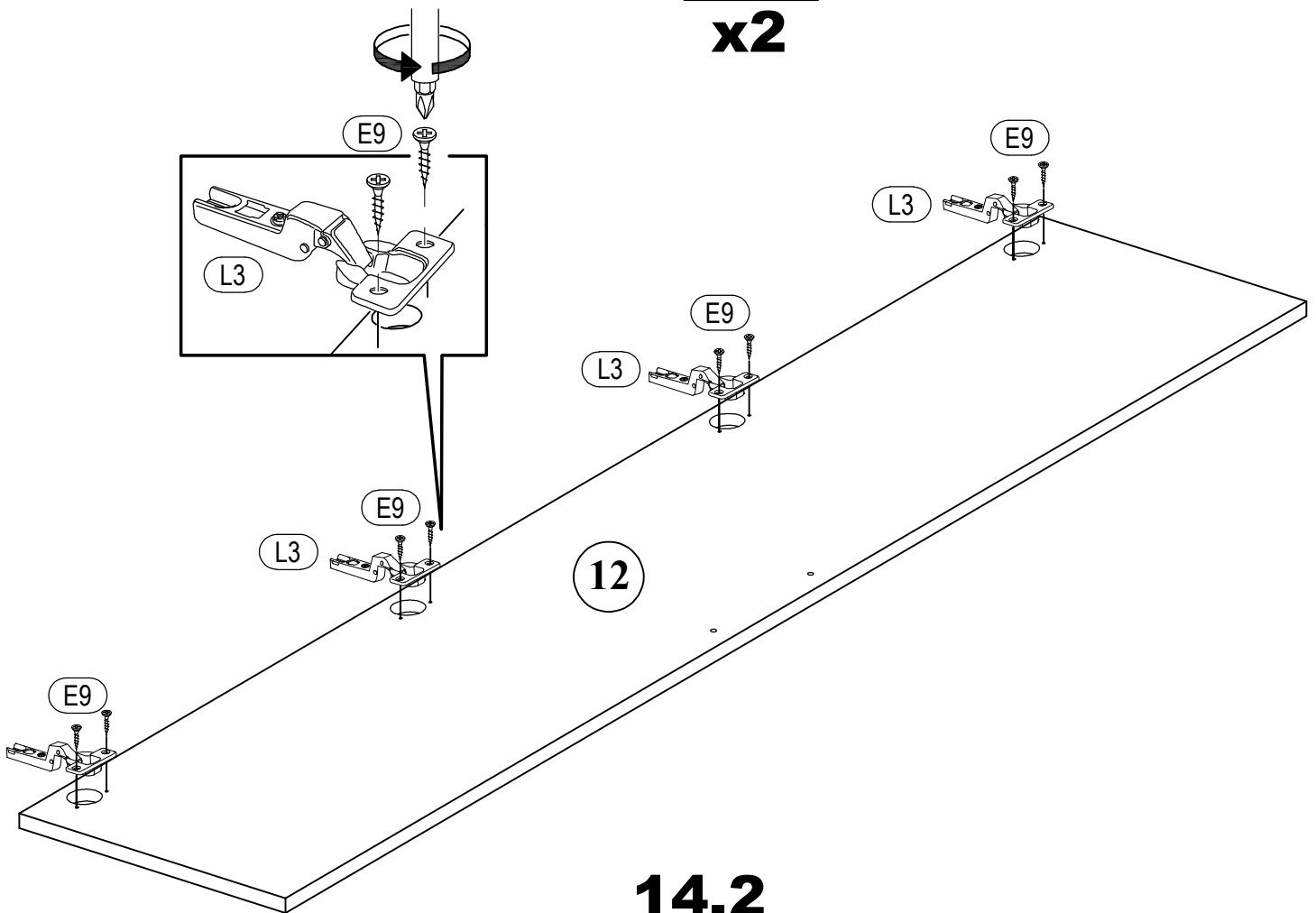
13



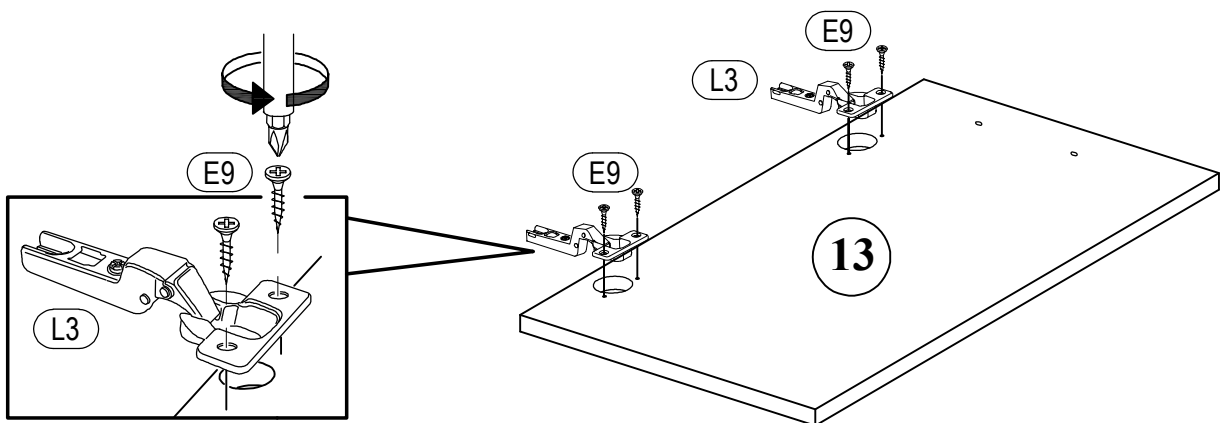
 <p>(E9) 4*16mm x20</p>	 <p>(L3) x10</p>
--	---

14





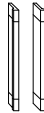
14.1 x2



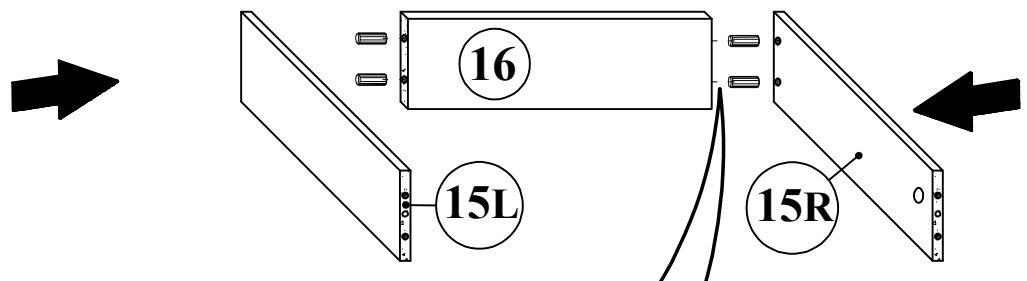
14.2 x1



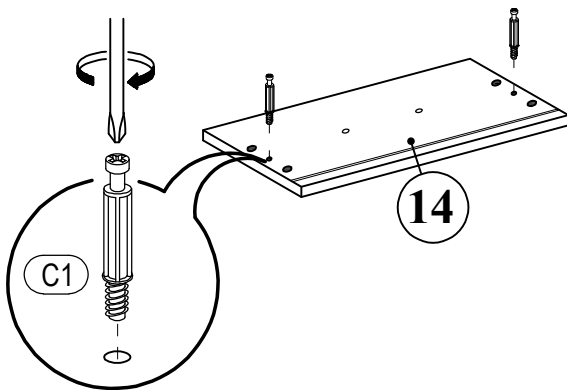
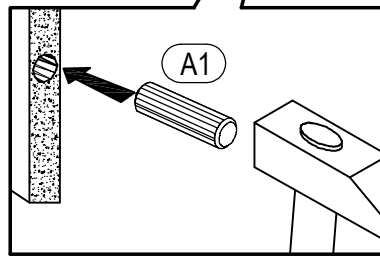
15

 A1 8*30mm x8	 C1 5*30mm x4	 G5 M 4*22mm x4
	 H1 M 4 x4	 I11 x2

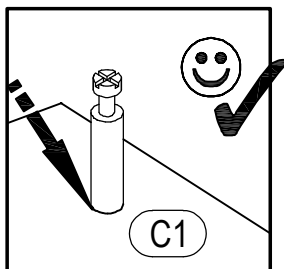
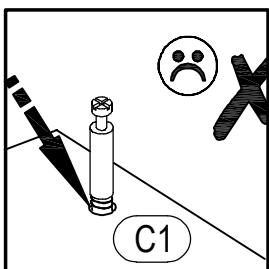
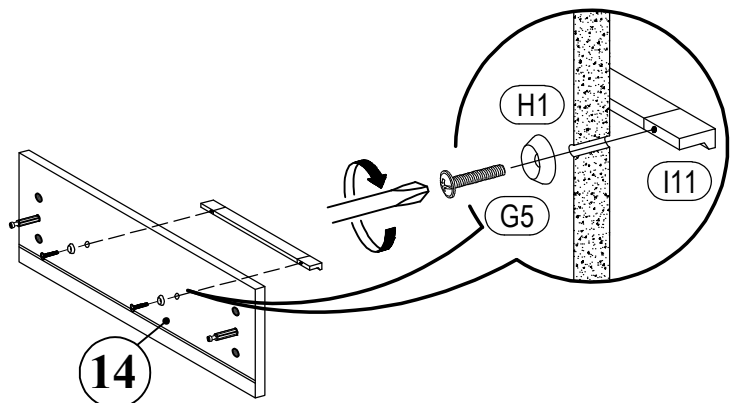
15.1 x2





15.2 x2



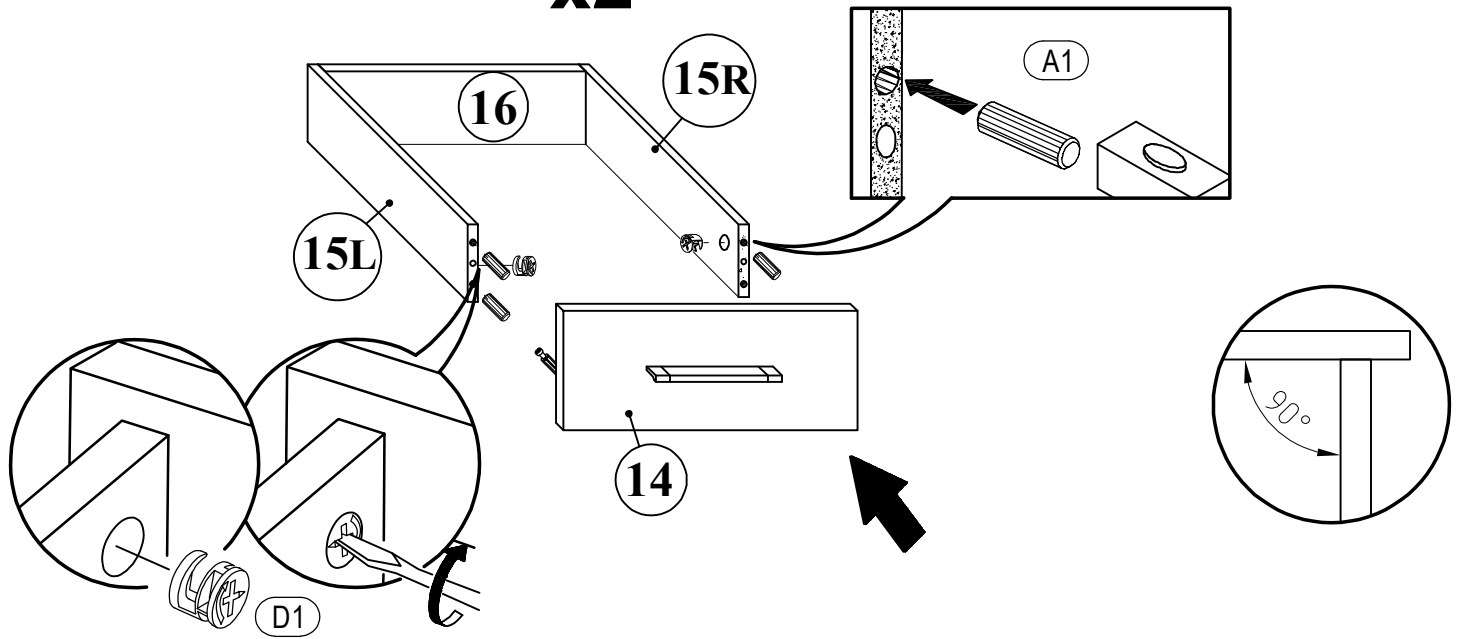
15.3 x2



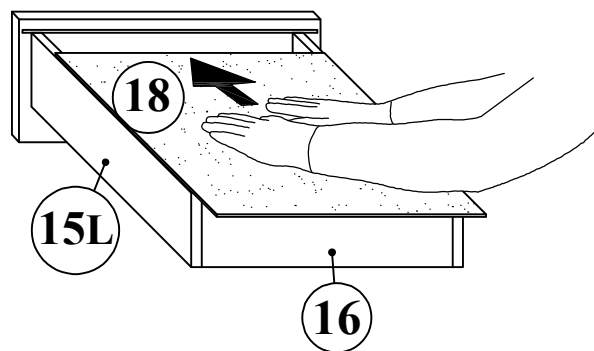
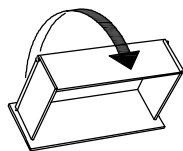
 (A1) 8*30mm x8	 (D1) 16mm x4
---	---

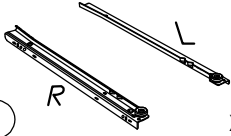

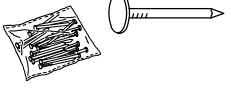
15

15.4 x2



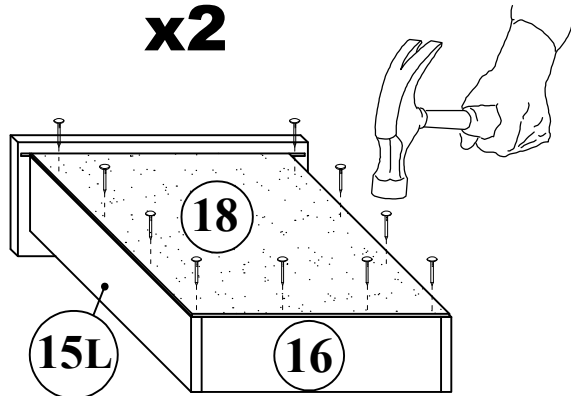
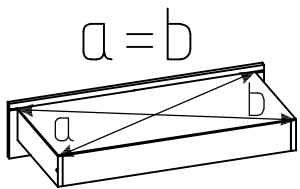
15.5 x2



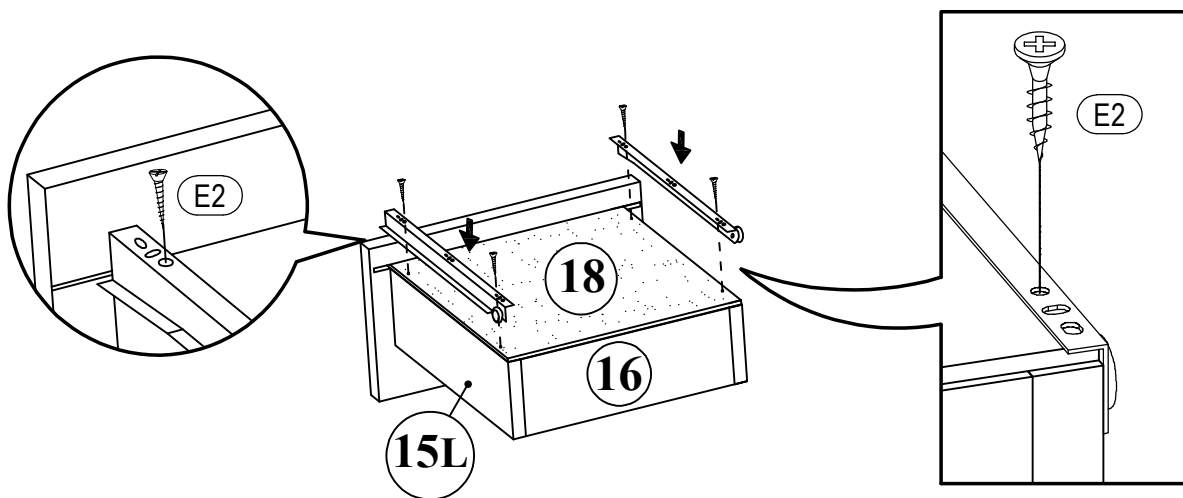
 <p>(M1) R x2 L</p>	 <p>(E2) 3*13mm x8</p>	 <p>(R3) 1.4*25mm 0.010kg</p>
--	---	--

15

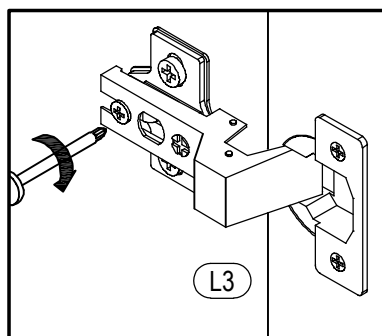
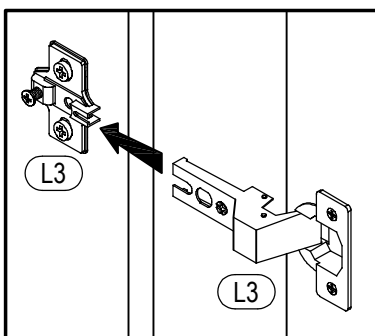
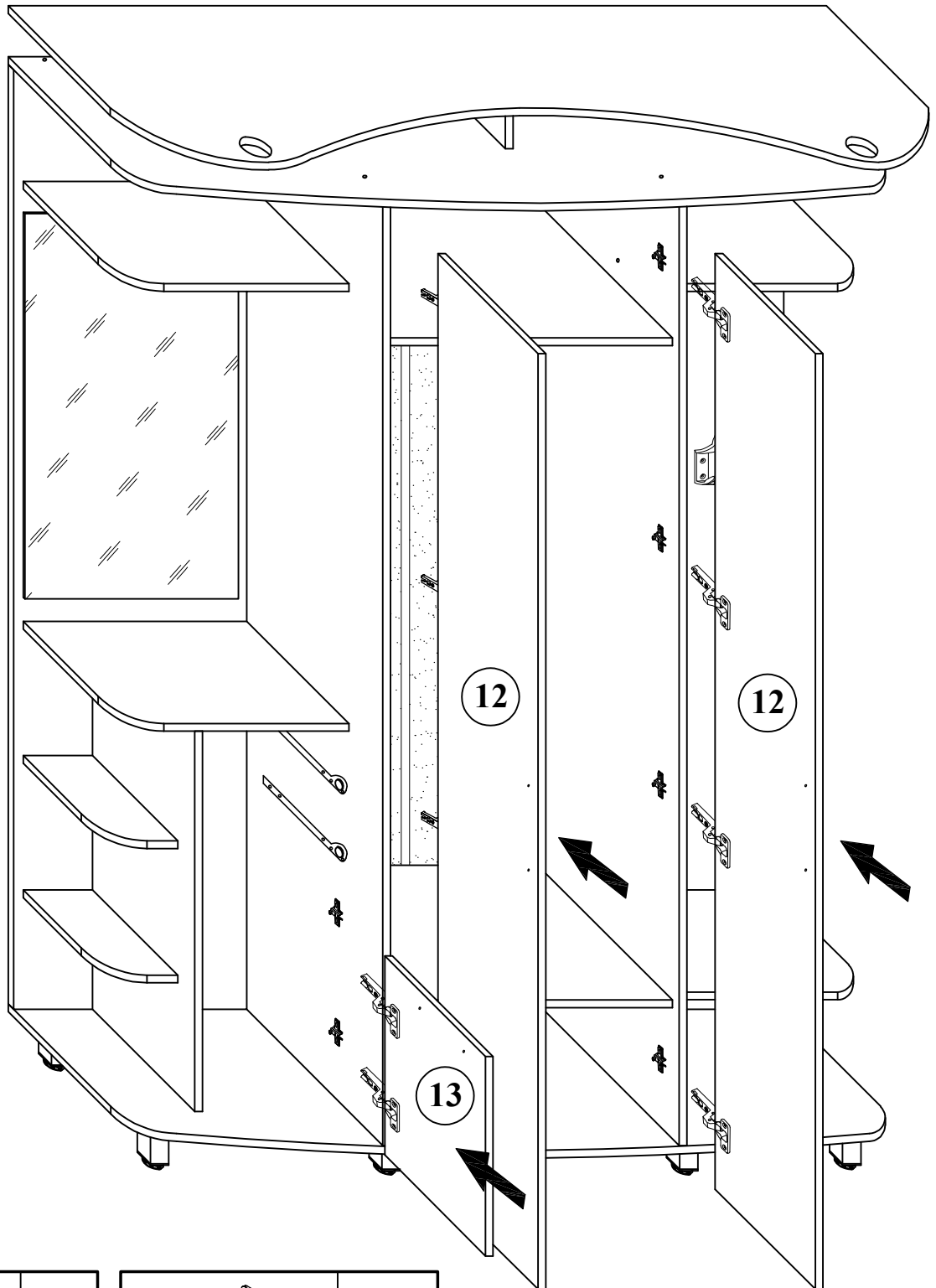
15.6 x2







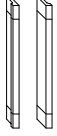
15.7 x2

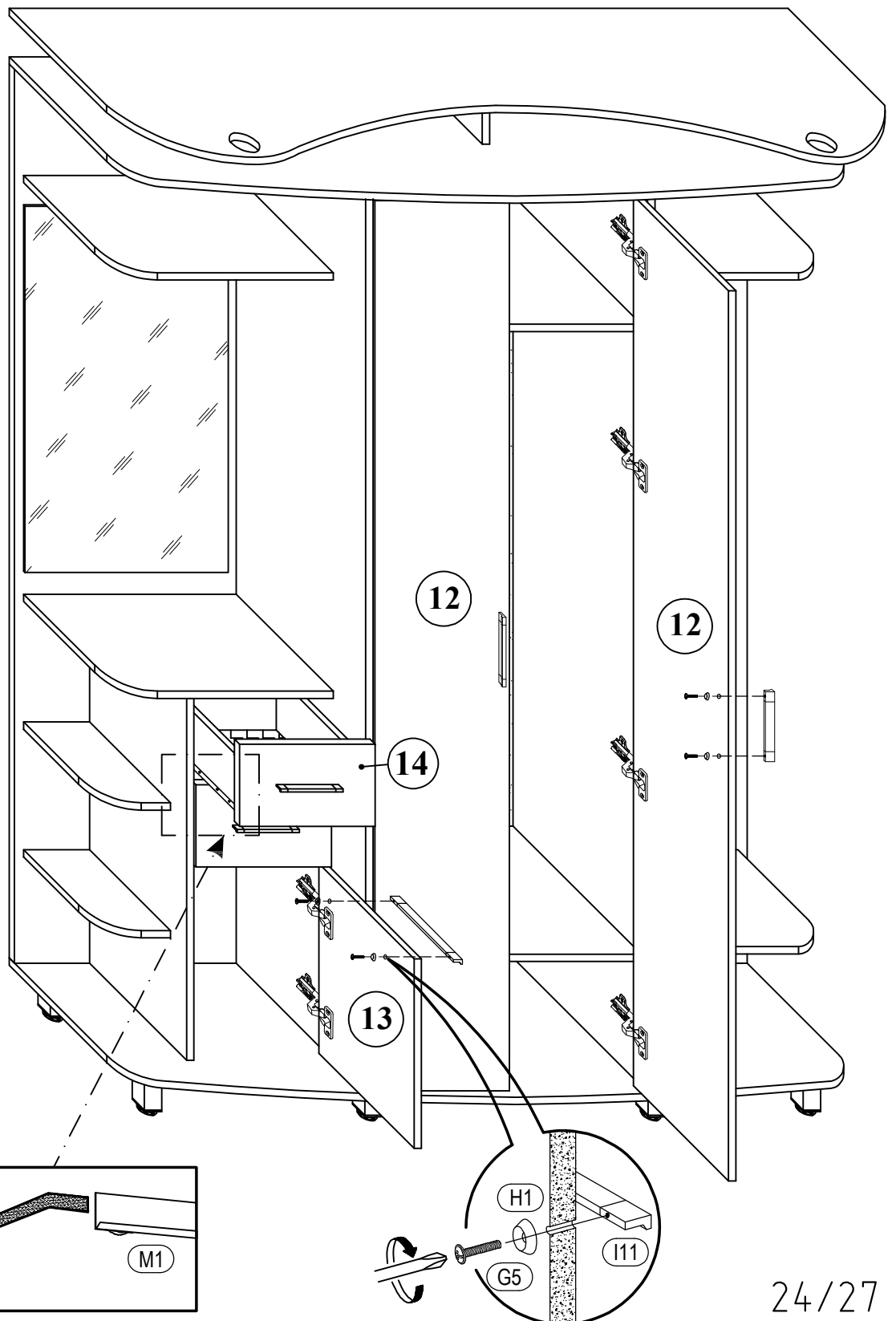
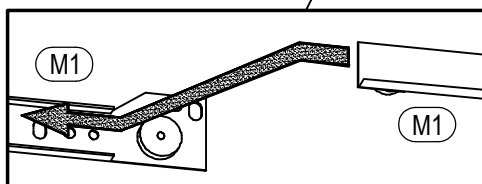
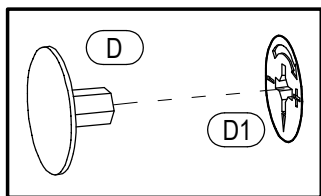
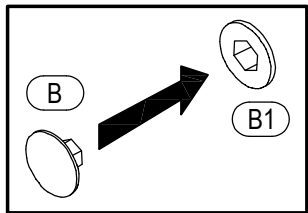


16

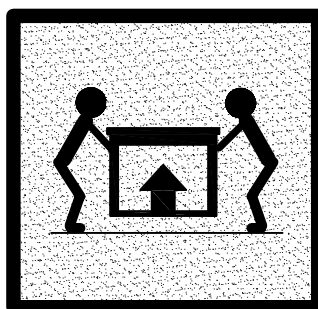
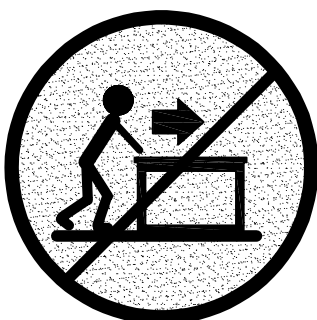
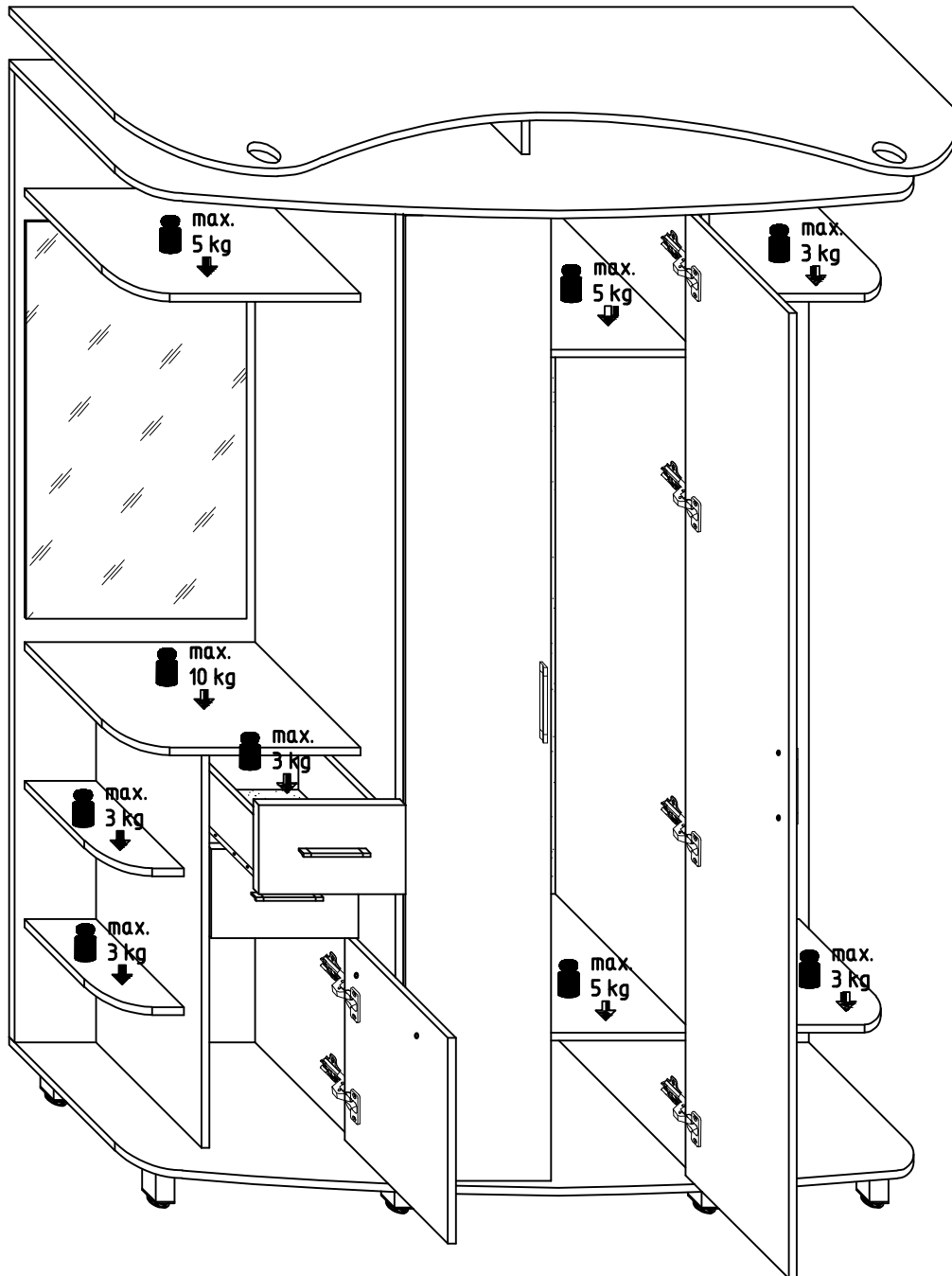


17

 <p>(B) x25</p>	 <p>(D) x4</p>	 <p>(G5) M 4*22mm x6</p>
 <p>(H1) M 4 x6</p>	 <p>(I19) x3</p>	



18



19

