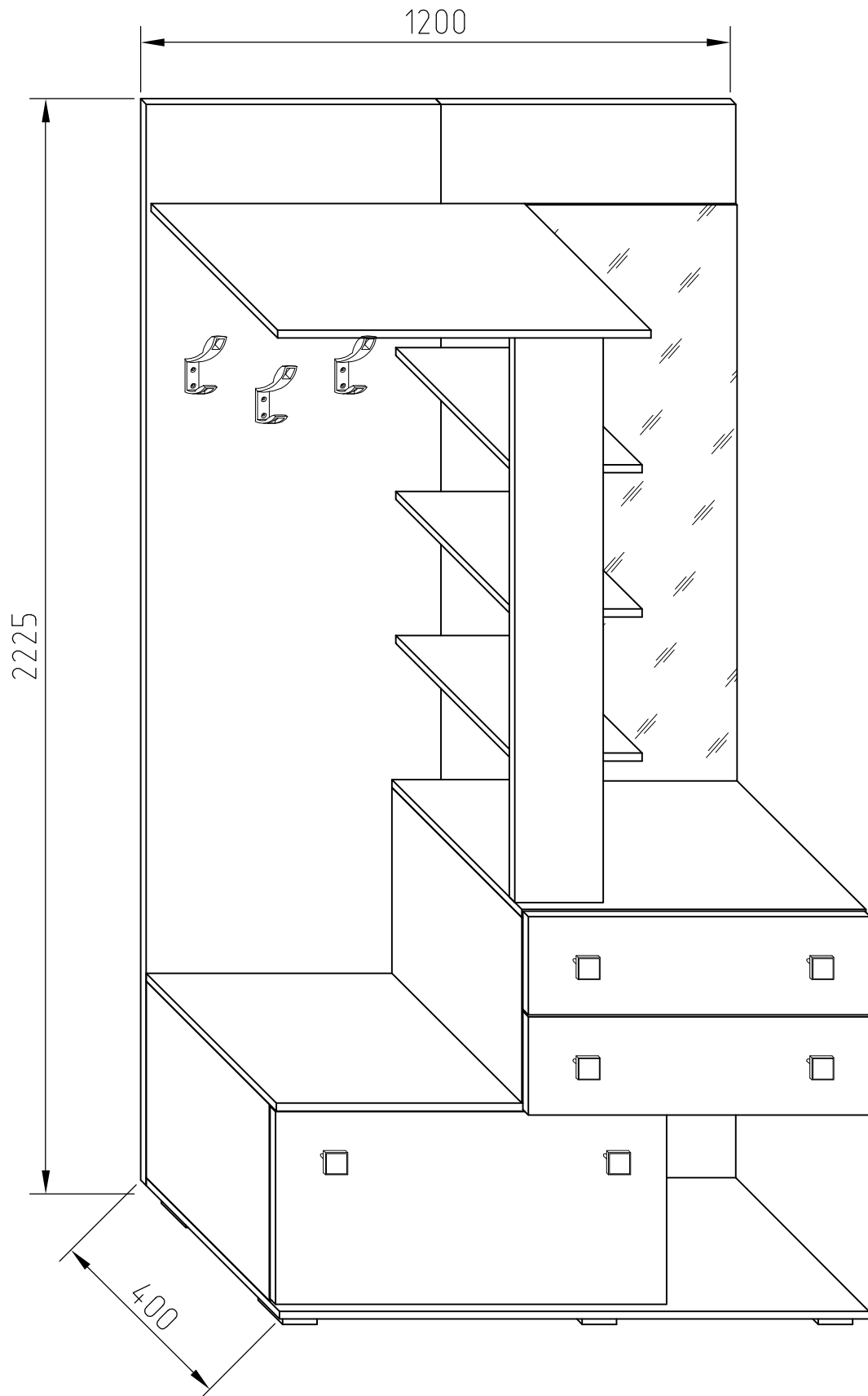
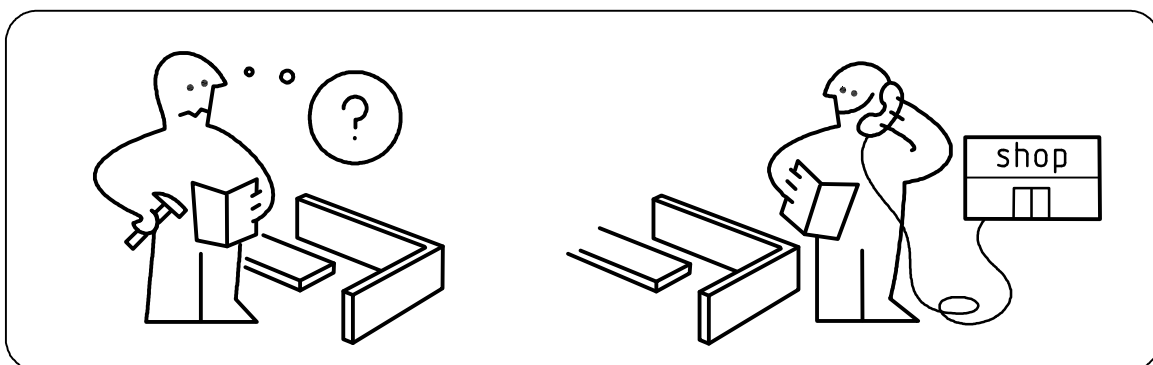
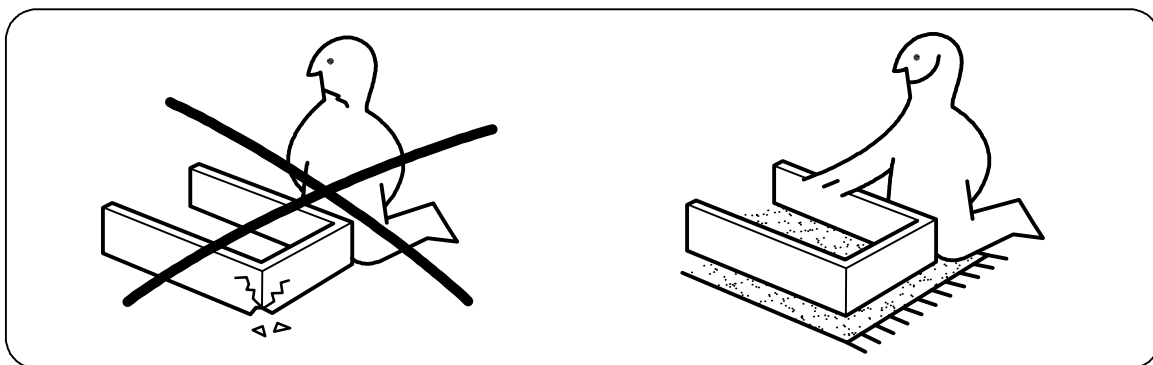
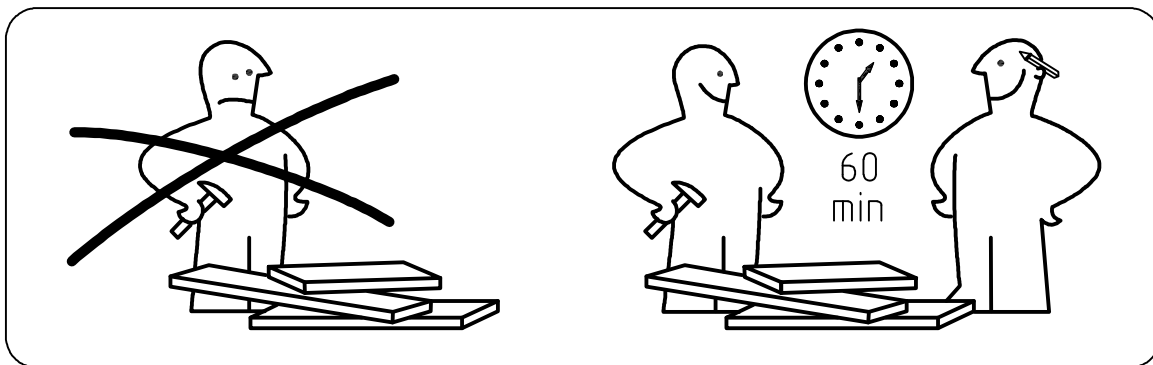
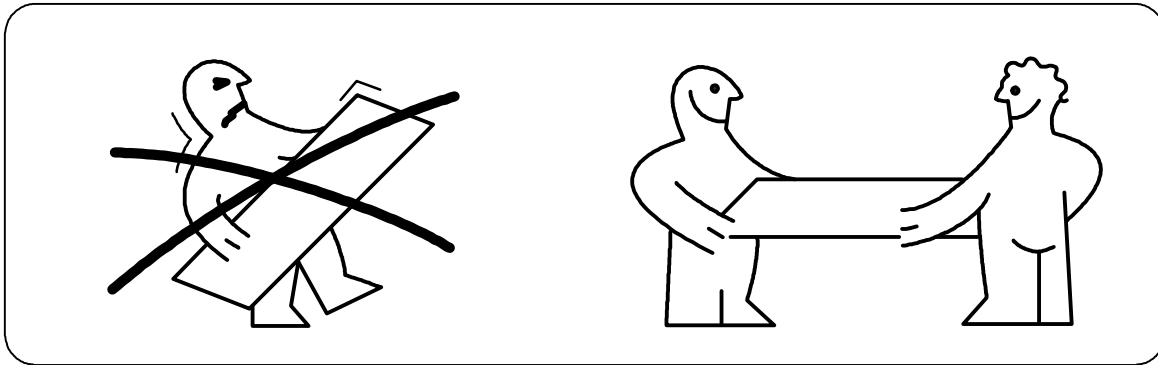
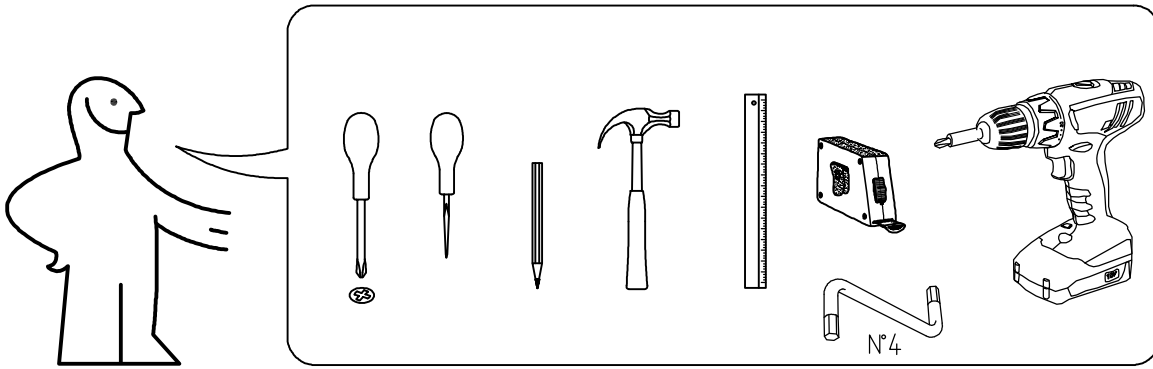


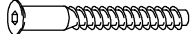




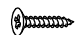

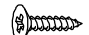
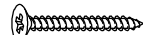



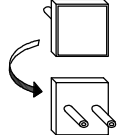
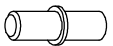
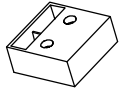
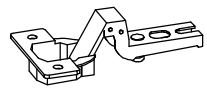
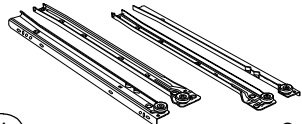
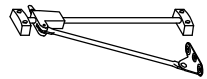
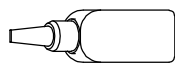
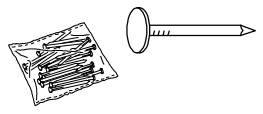
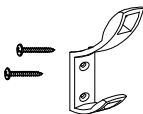
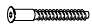


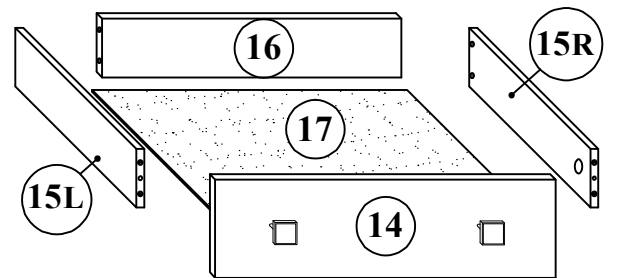
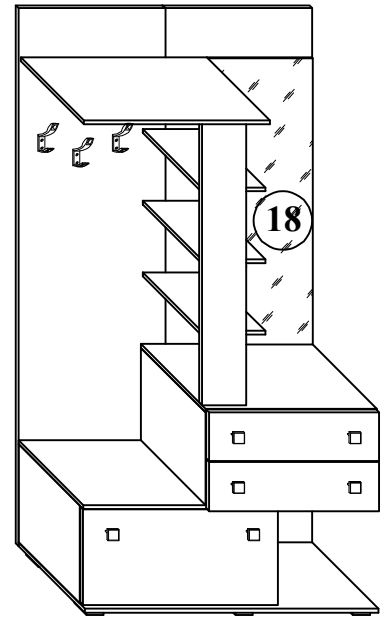
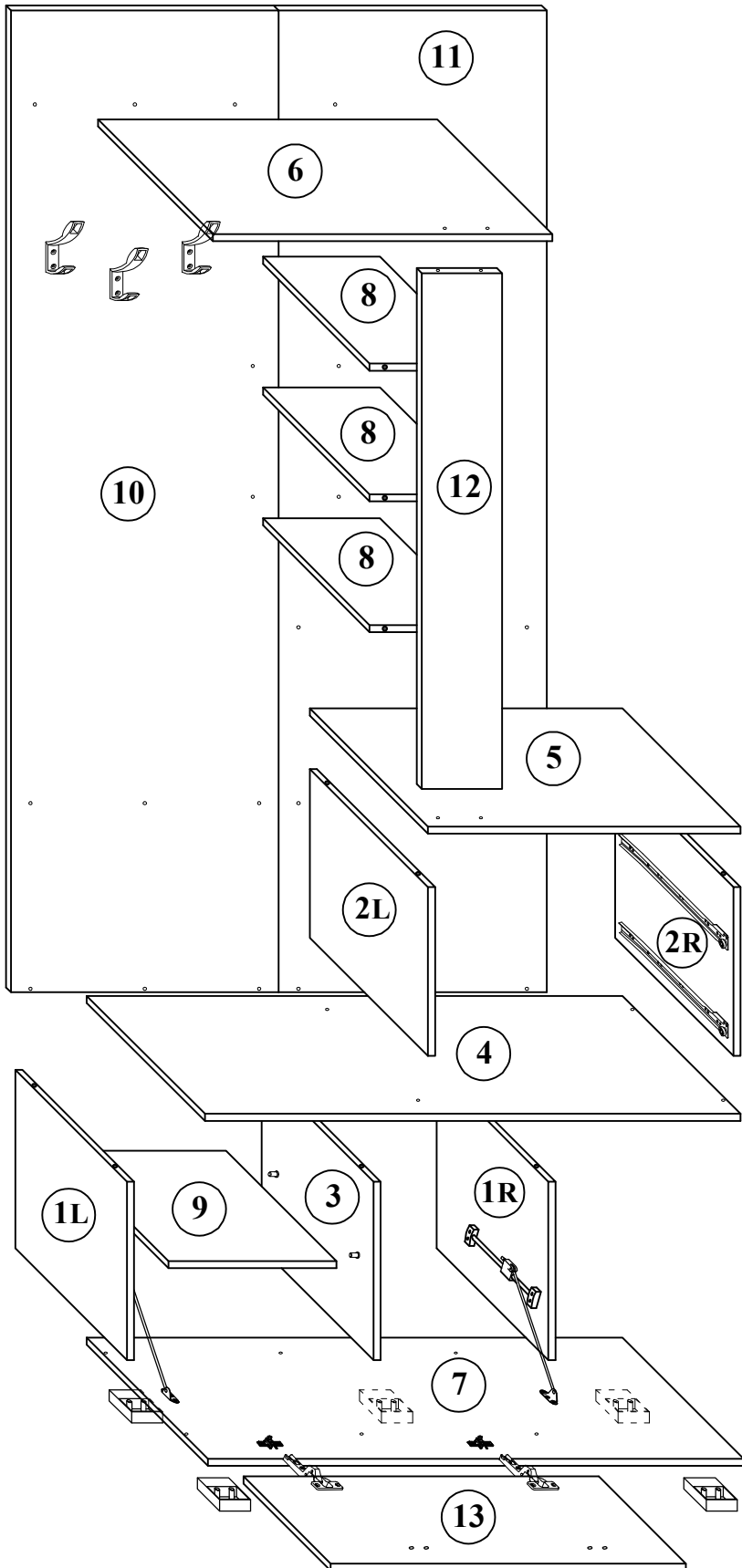
SONATA



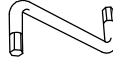
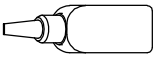




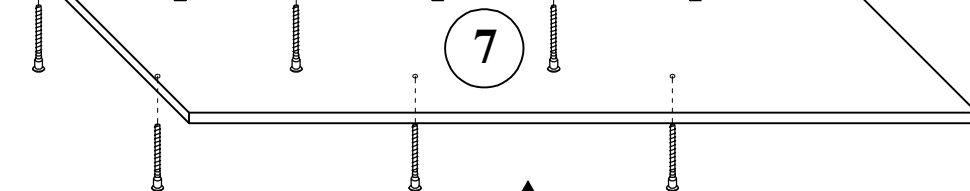
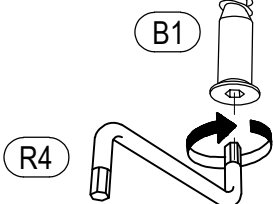
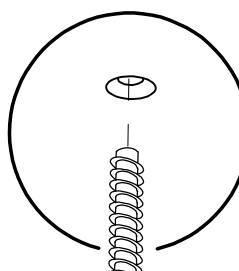
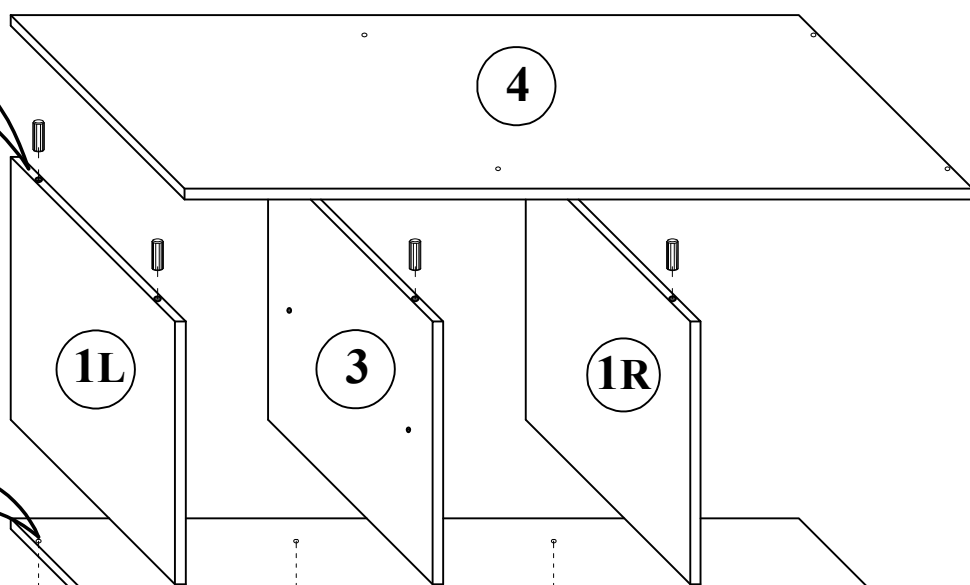
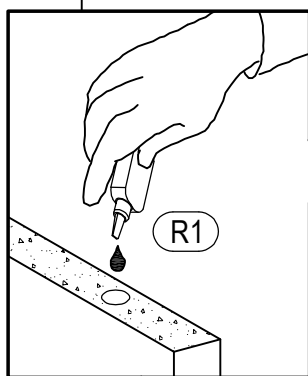
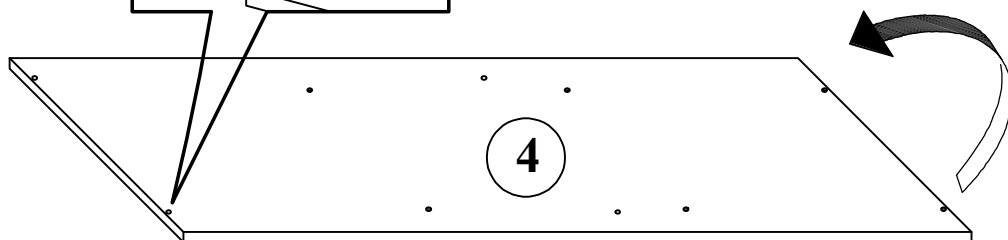
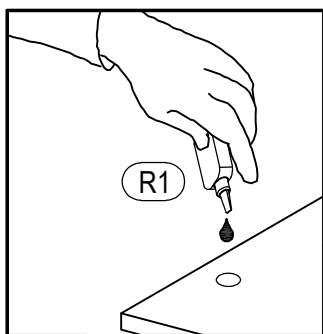
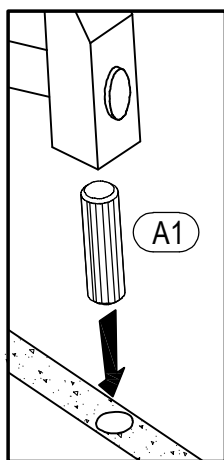
 A1 8*30mm x32	 B x20	 B1 6,3*50mm x39
 C1 5*30mm x4	 D1 16mm x4	 D x4
 E2 3*13mm x16	 E3 3*15mm x6	 E4 3*20mm x8
 E8 4*16mm x4	 E11 4*35mm x12	 F1 6,3*13mm x4
 G6 M 4*25mm x12	 H1 M 4 x12	 I24 x6
 J1 5*16mm x4	 K4 311.09.K02 x6	 L3 x2
 M1 L- 350mm x2	 N4 R+L x2	 R1 x1
 R3 1.4*25mm 0.050kg		 X4 DW08 x3

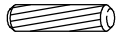

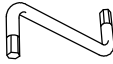
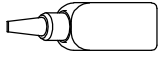
№	a*b	x	№→...
1L	400x354	x1	4
1R	400x354	x1	4
2L	378x374	x1	3
2R	378x374	x1	3
3	400x354	x1	3
4	1200x374	x1	2
5	700x374	x1	4
6	760x364	x1	4
7	1200x384	x1	2
8	262x338	x3	4
9	374x350	x1	3
10	2200x600	x1	1
11	2200x600	x1	1
12	1156x180	x1	2
13	796x392	x1	3
14	696x200	x2	2
15L	350x120	x2	2
15R	350x120	x2	2
16	612x120	x2	2
17	353x640	x2	3
18	1170x428	x1	
		x1	2



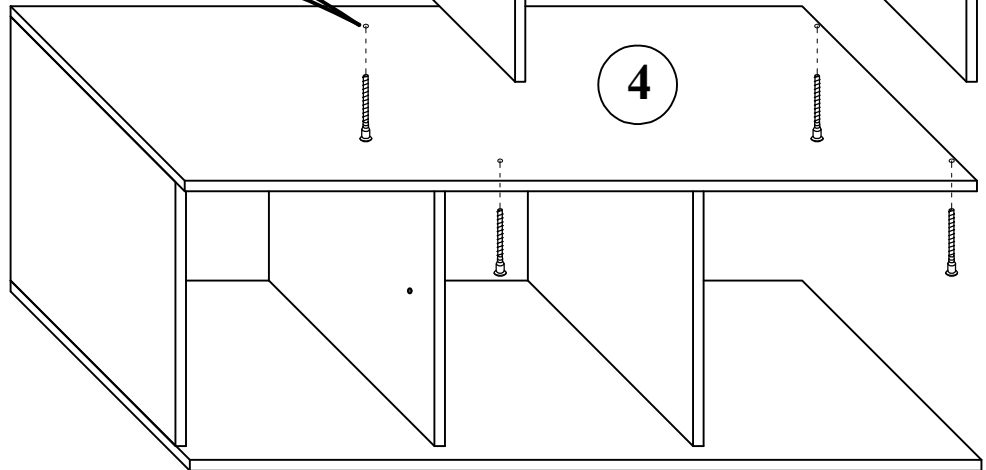
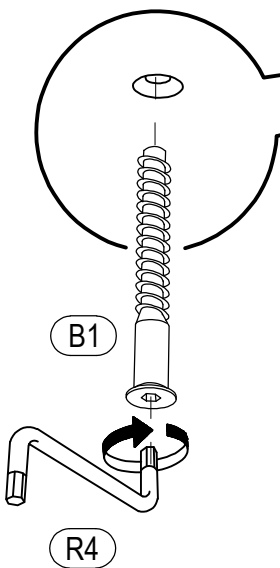
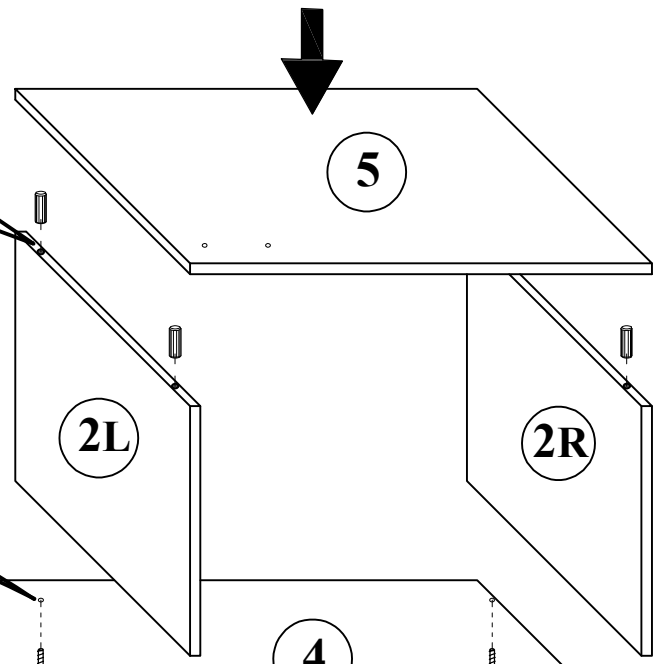
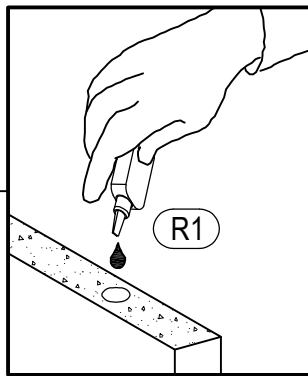
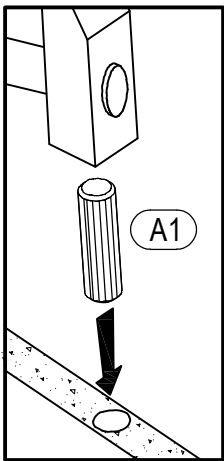
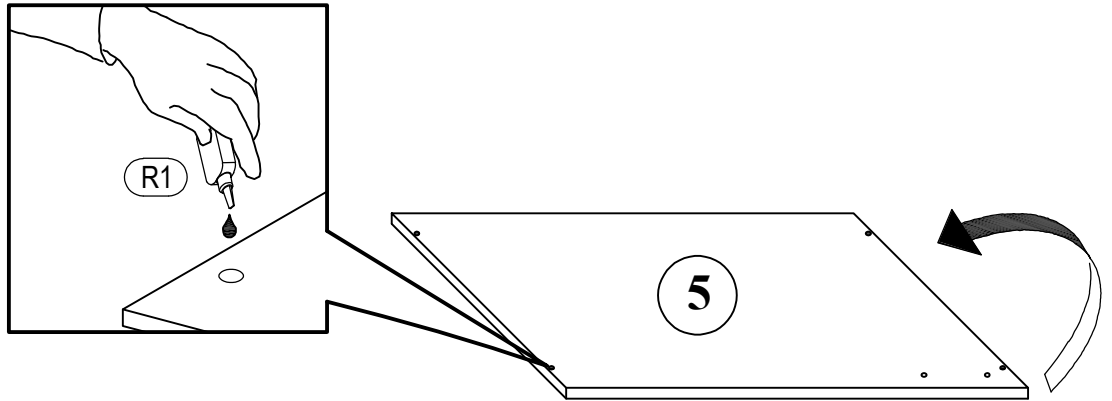
 (A1) 8*30mm x6	 (B1) 6,3*50mm x6	 (R4) N°4
		 (R1)

1

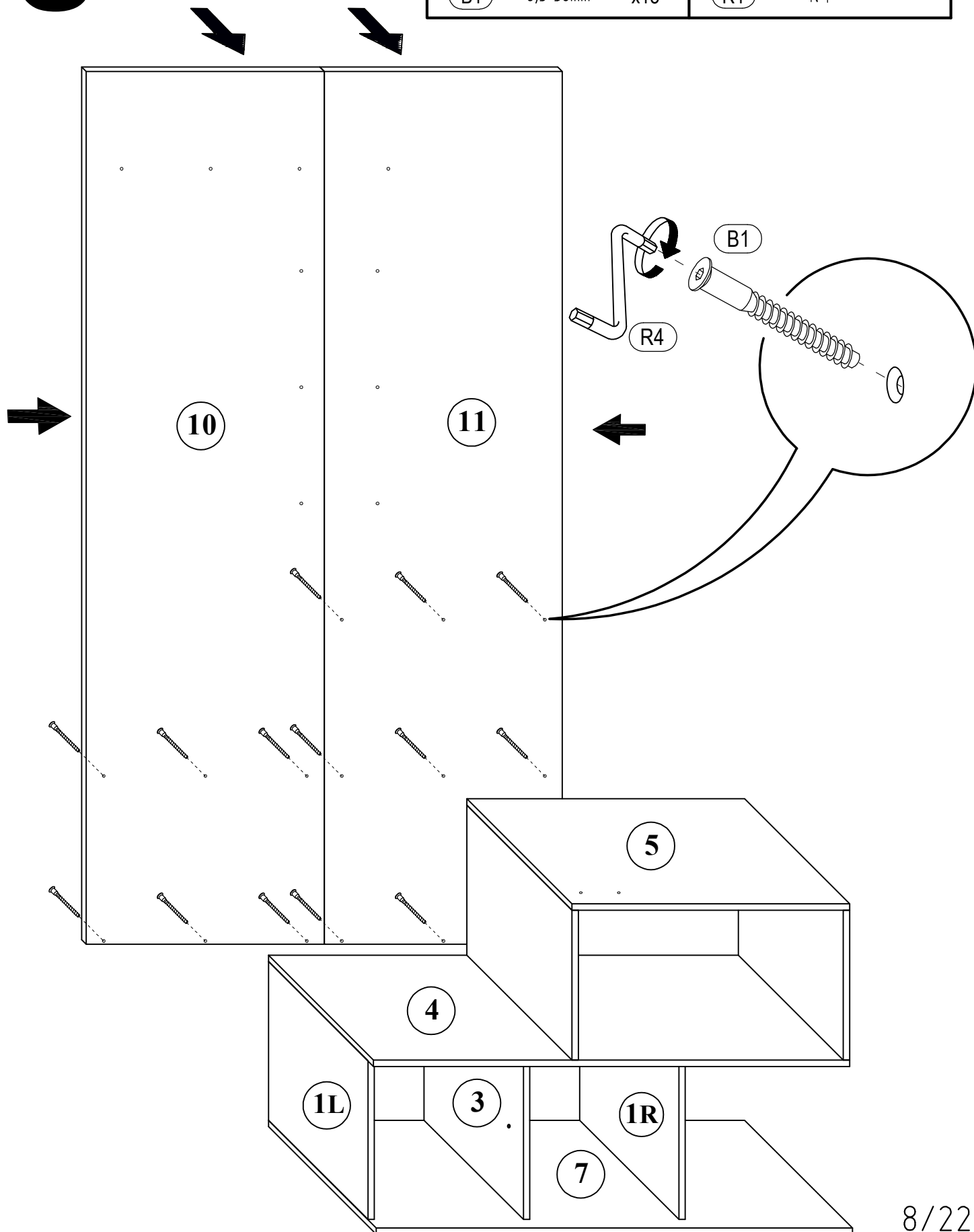
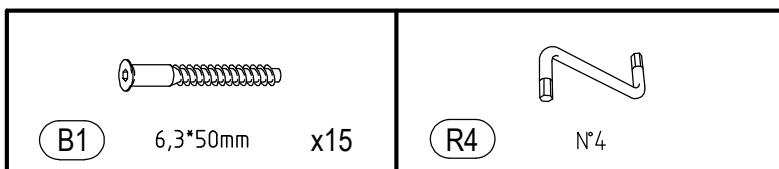


 (A1) 8*30mm x4	 (B1) 6,3*50mm x4	 (R4) N°4
		 (R1)



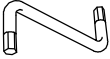
2

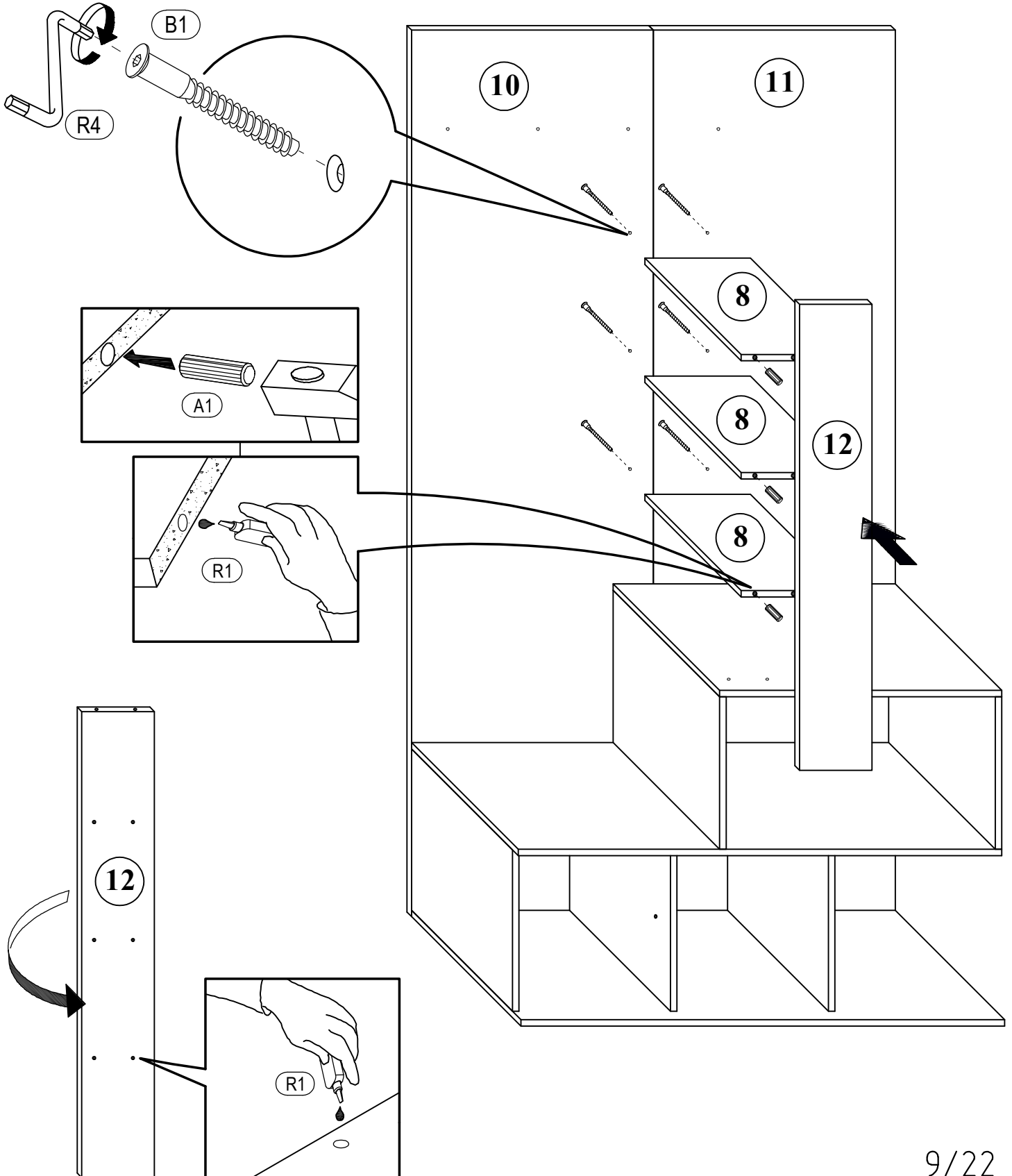


3


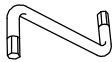


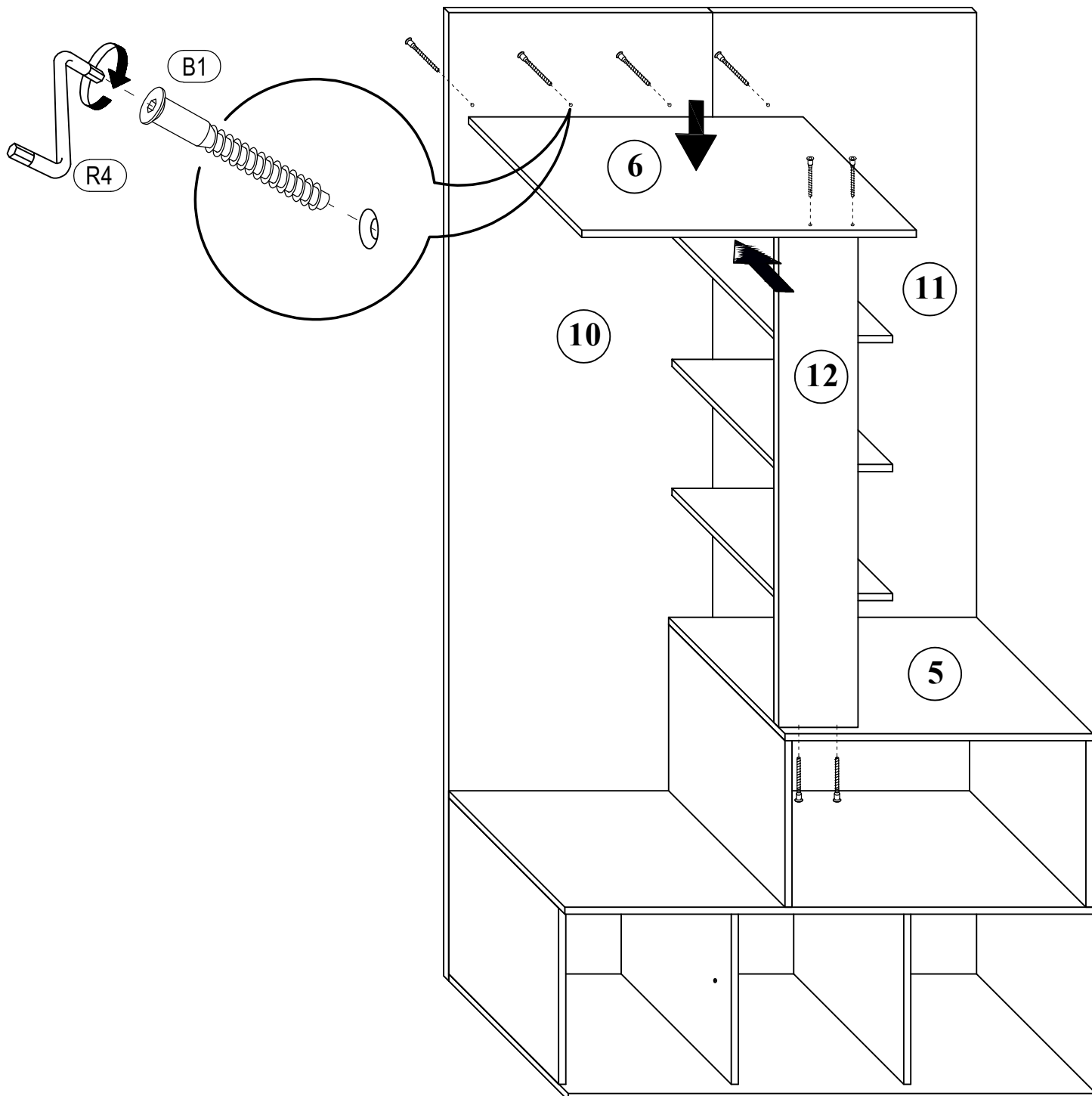
4

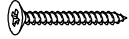
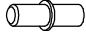
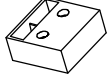
 A1 8*30mm x4	 B1 6,3*50mm x6	 R4 N°4
---	--	---



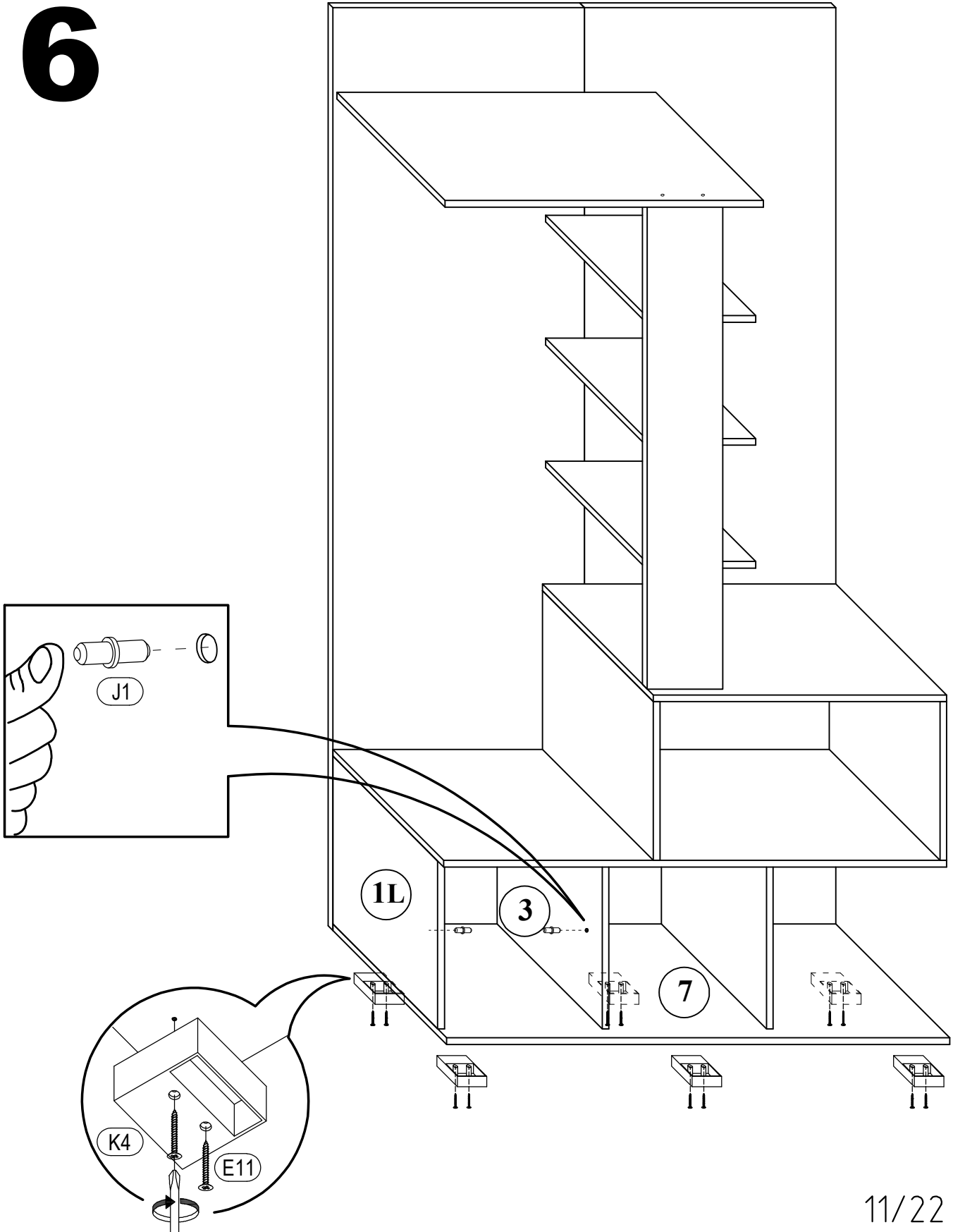
5



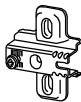

 B1 6,3*50mm x8	 R4 N°4
---	---



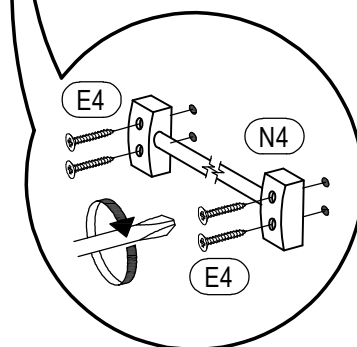
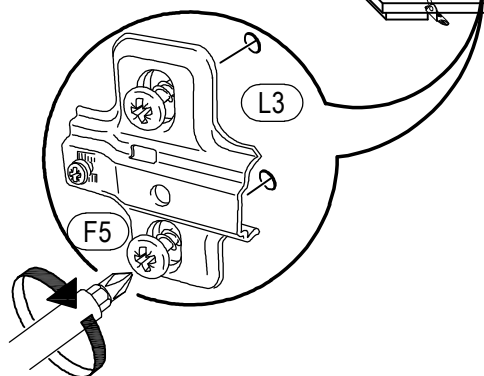
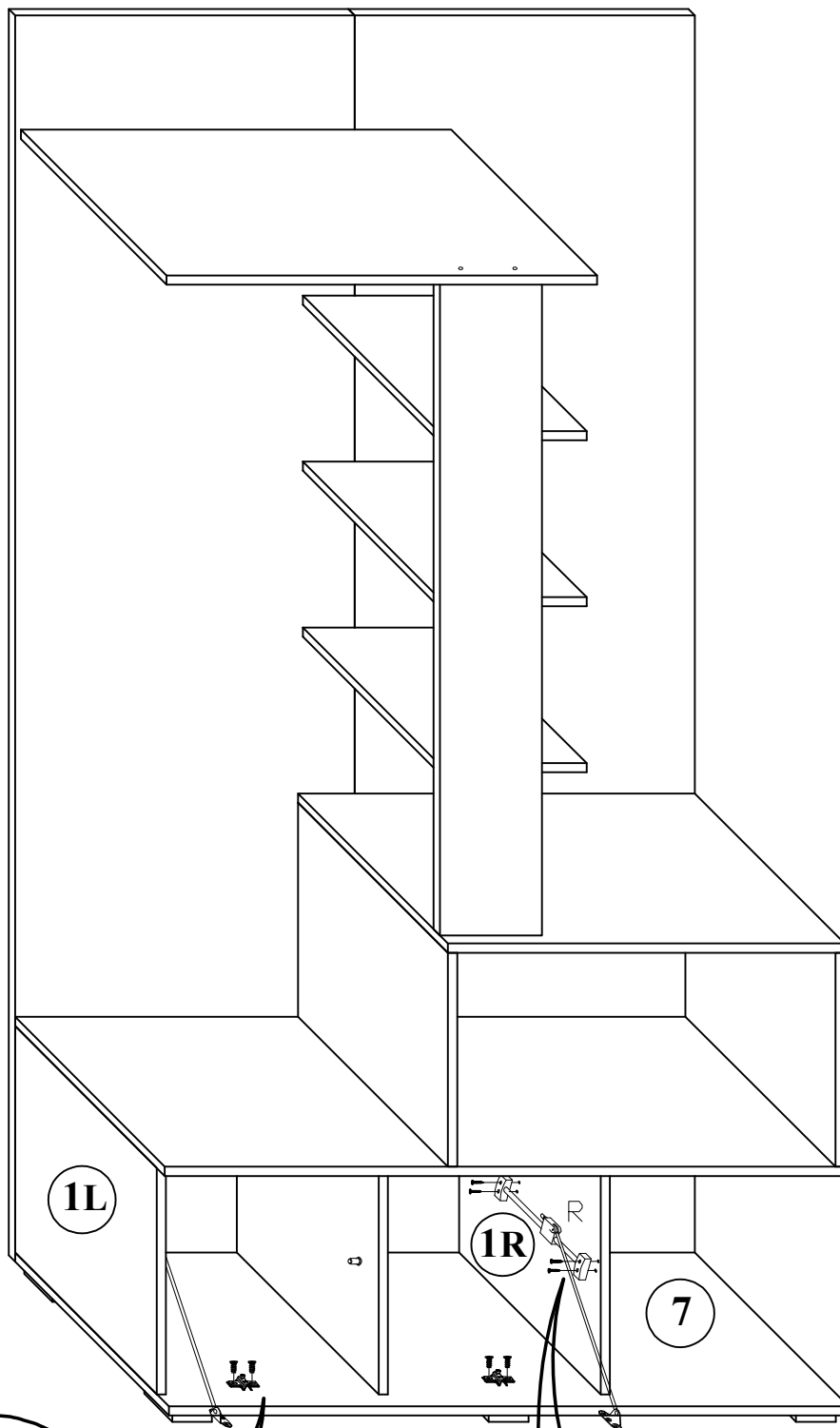
 E11 4*35mm x12	 J1 5*16mm x16	 K4 x6
---	--	--

6

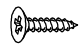



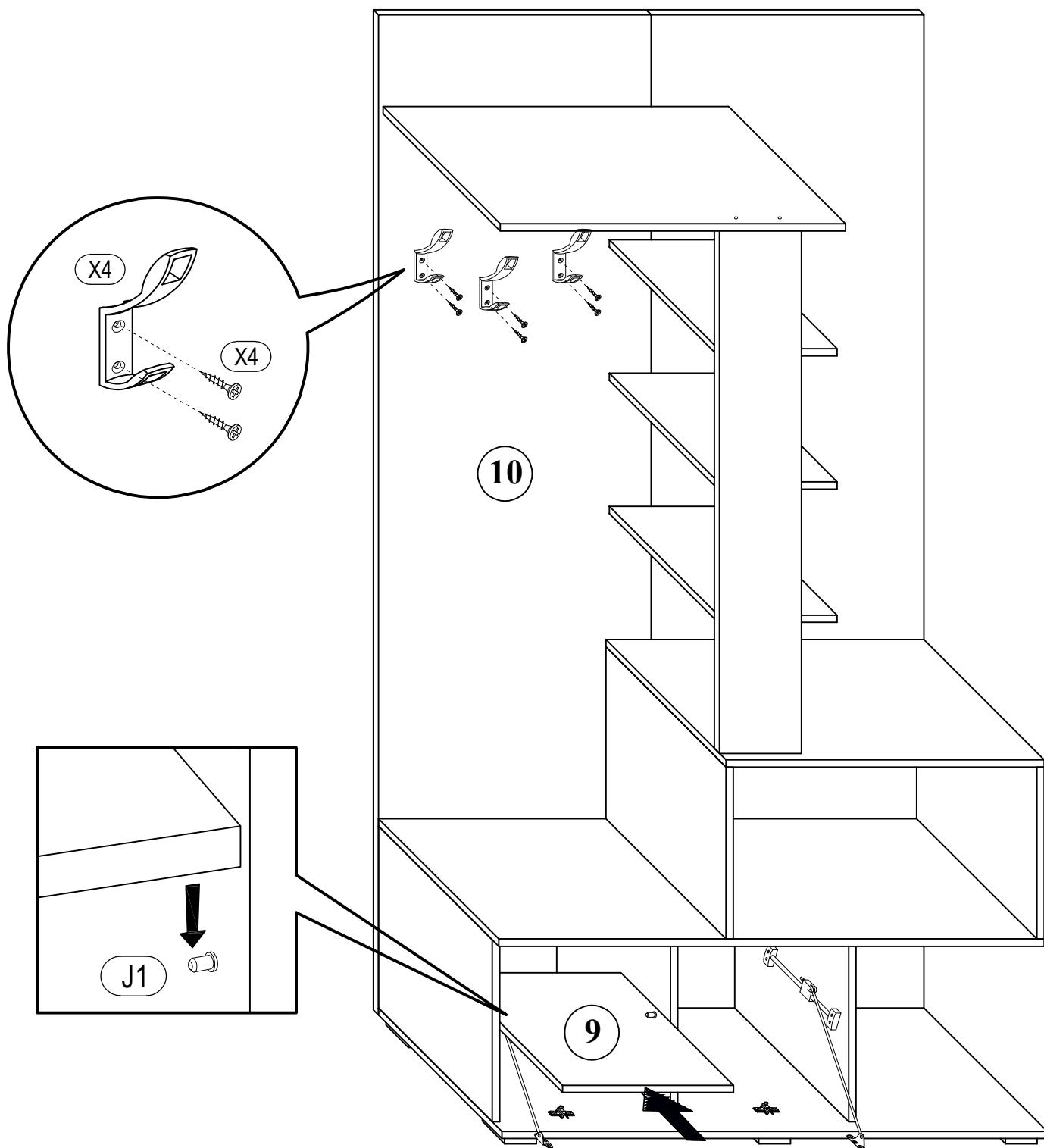
 E4 3*20mm x8	 F5 6,3*13mm x4	 L3 x2	 N4 R+L x2
---	---	---	--

7


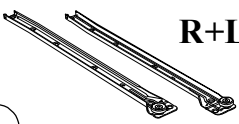


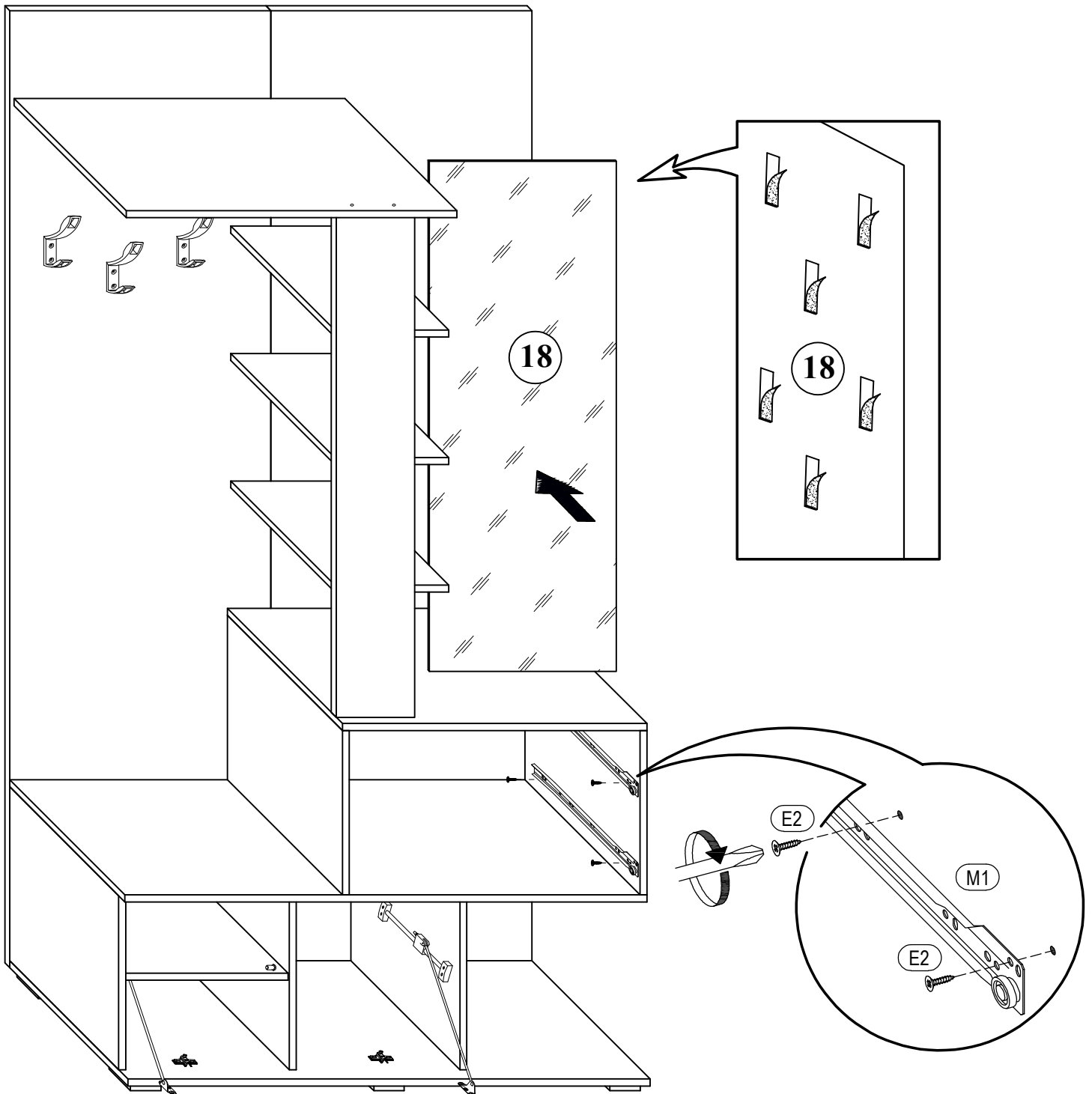
8



E8		4*16mm	x4	X4		DW08	x3
----	---	--------	----	----	---	------	----



9

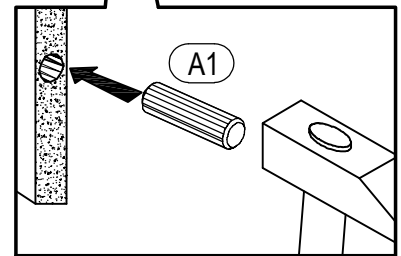
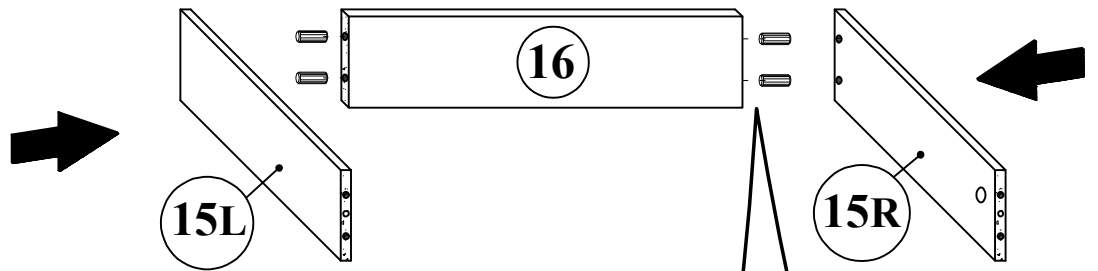
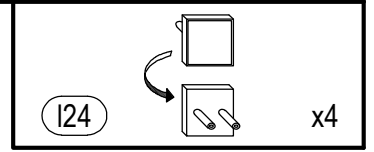
 E2 3*13mm x8	 M1 L- 350mm x2
--	--



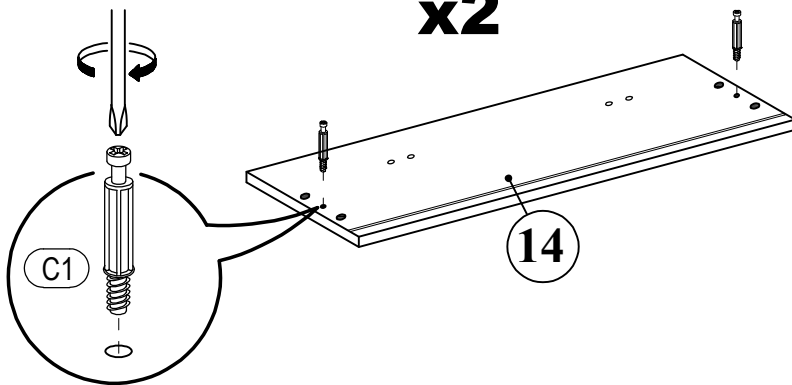
 A1 8*30mm x8	 C1 5*30mm x4	 G6 M 4*25mm x8	 H1 M 4 x8
--	--	---	---

10

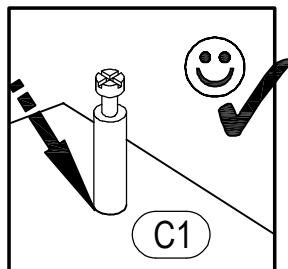
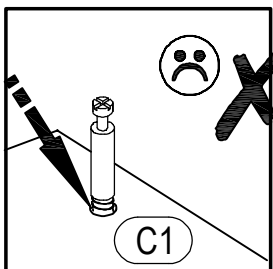
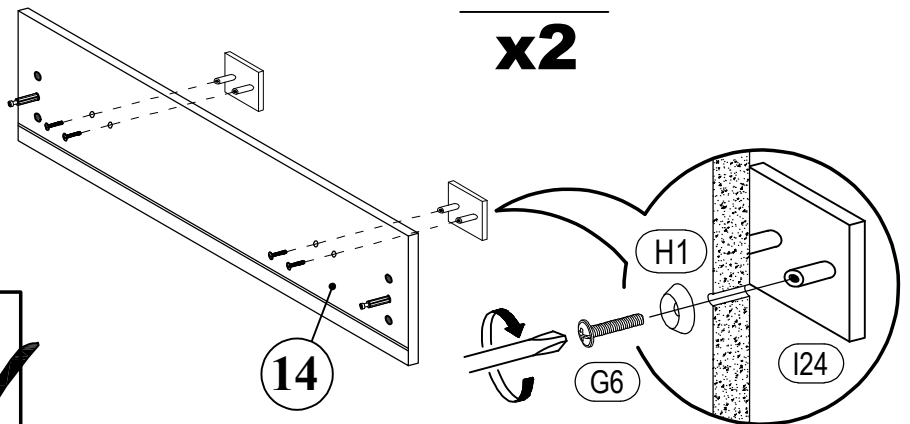
10.1 x2



10.2 x2



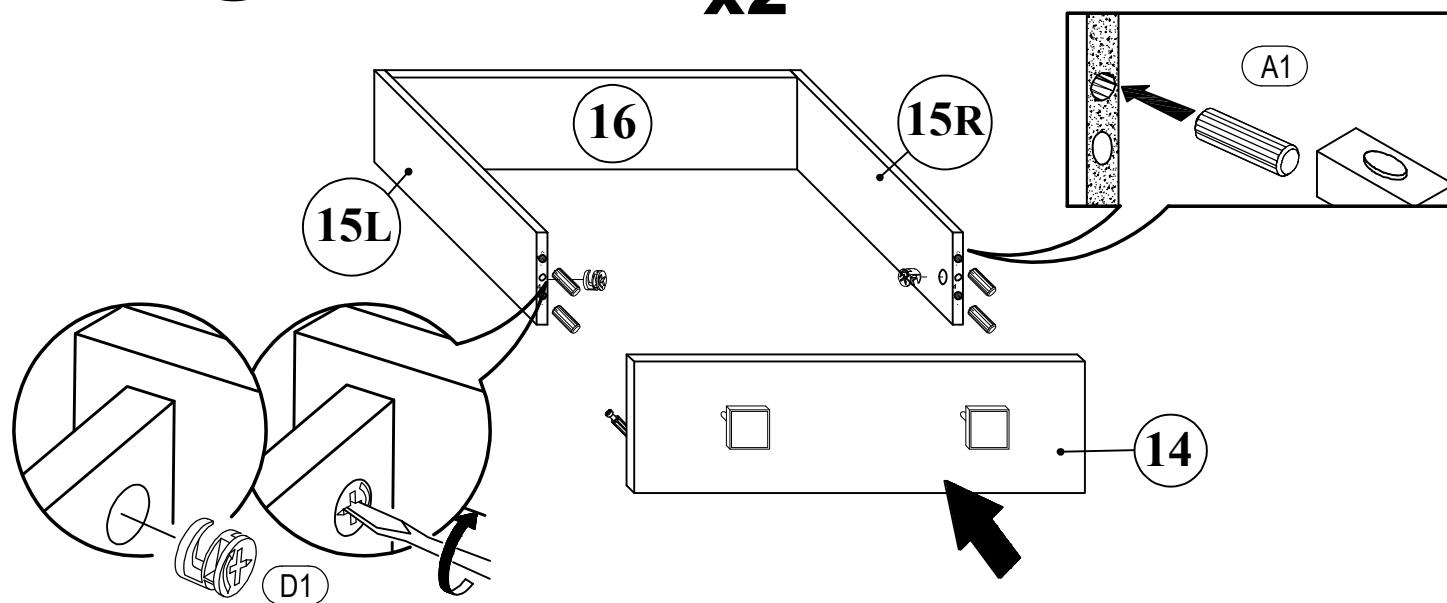
10.3 x2



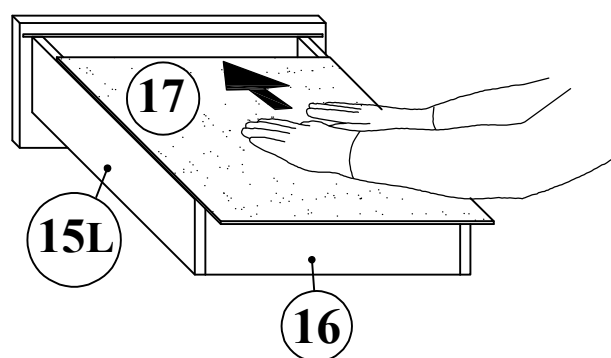
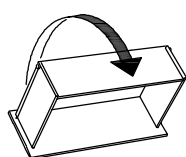
<p>A1 8*30mm x8</p>	<p>D1 16mm x4</p>	<p>R3 1.4*25MM 0.050kg</p>
----------------------------	--------------------------	-----------------------------------

10

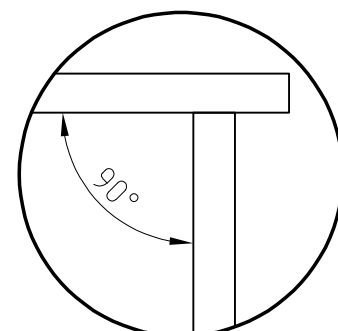
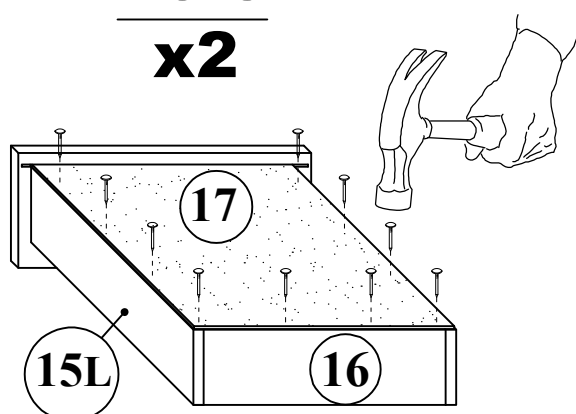
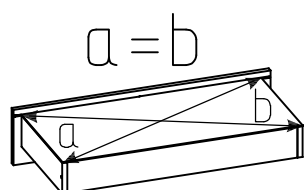
10.4
x2

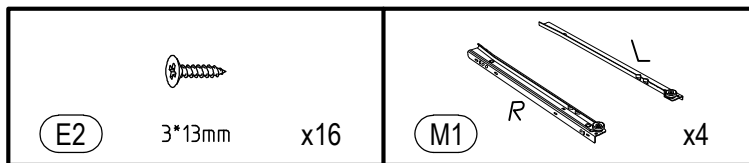


10.5
x2



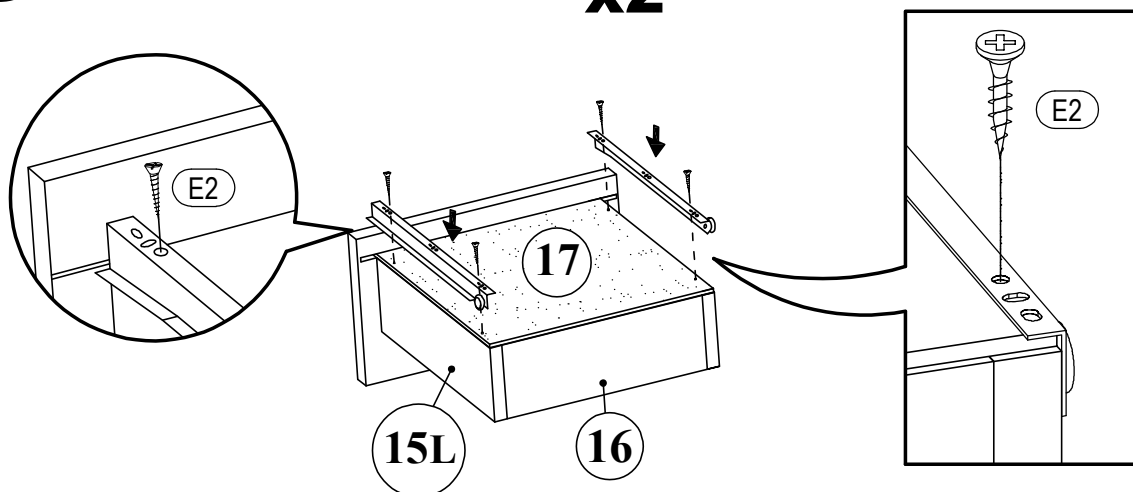
10.6
x2



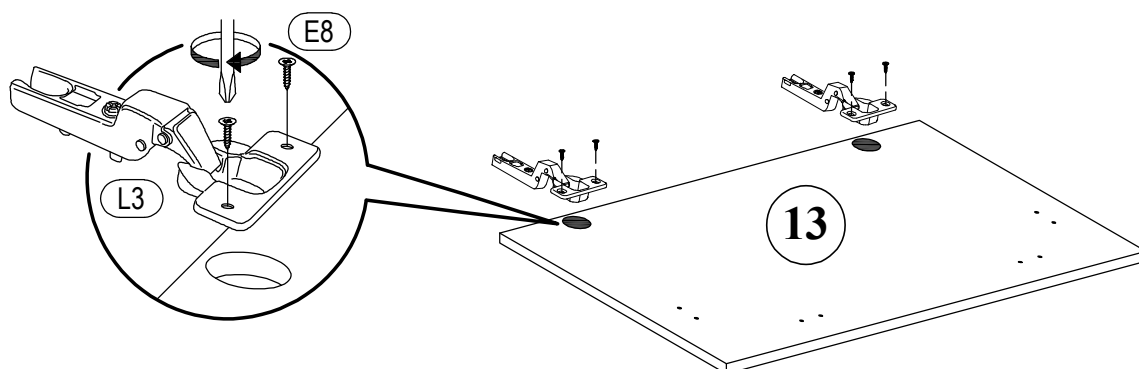
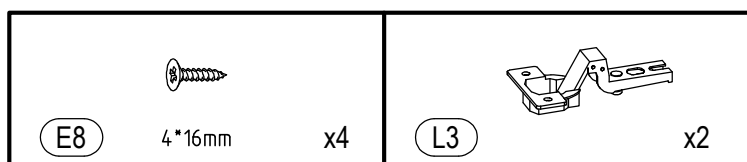


10

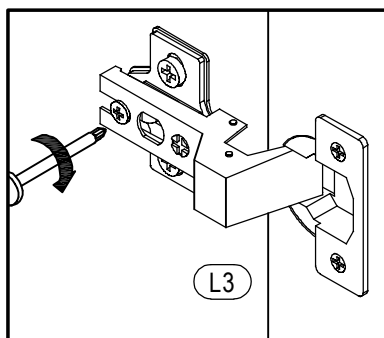
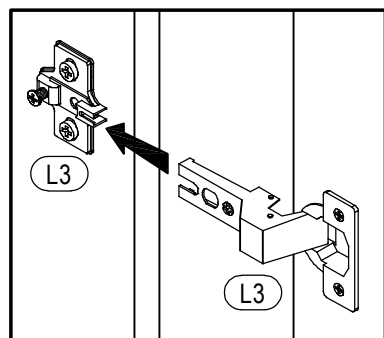
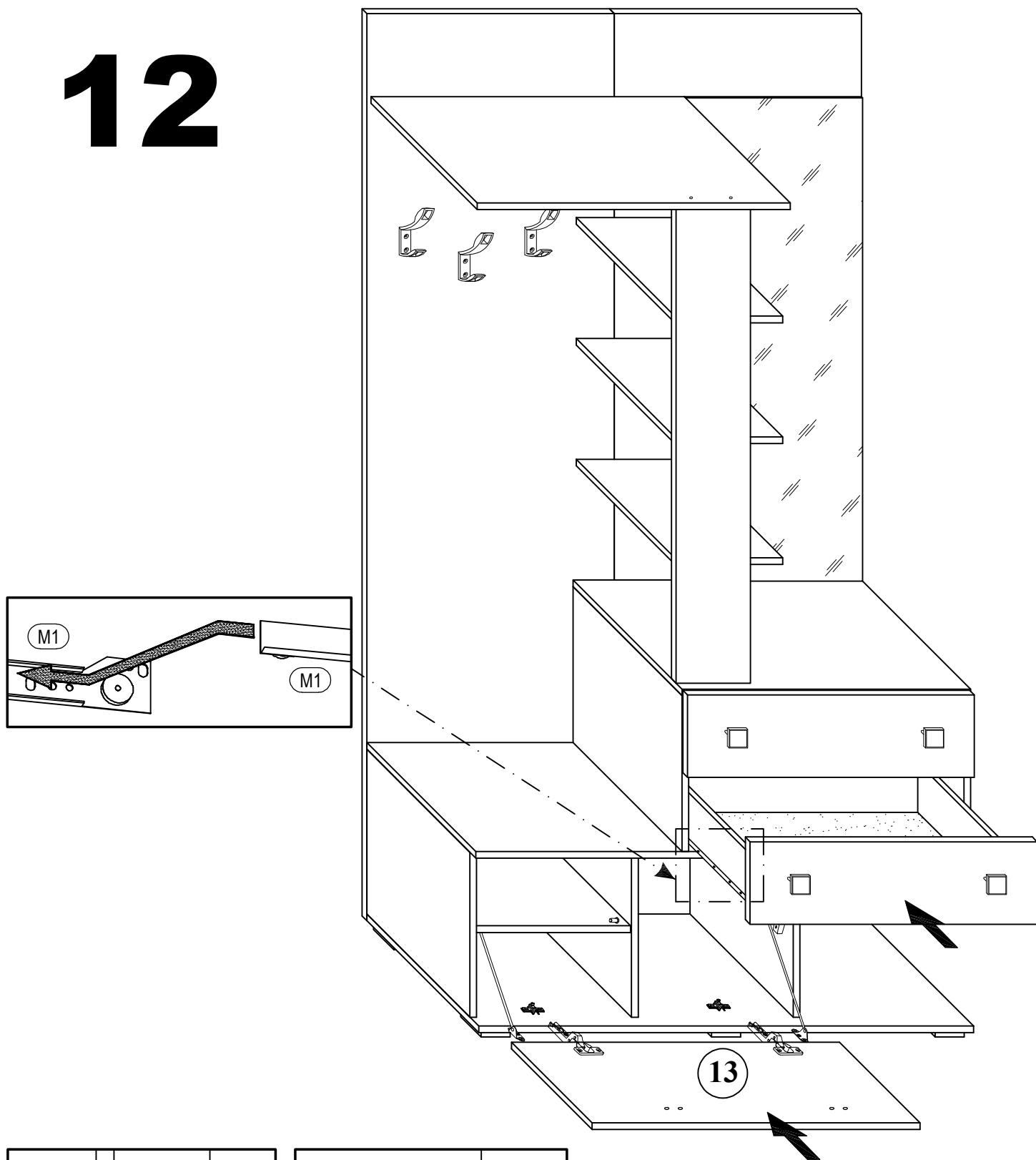
10.7
x2

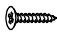


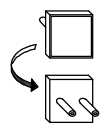


11

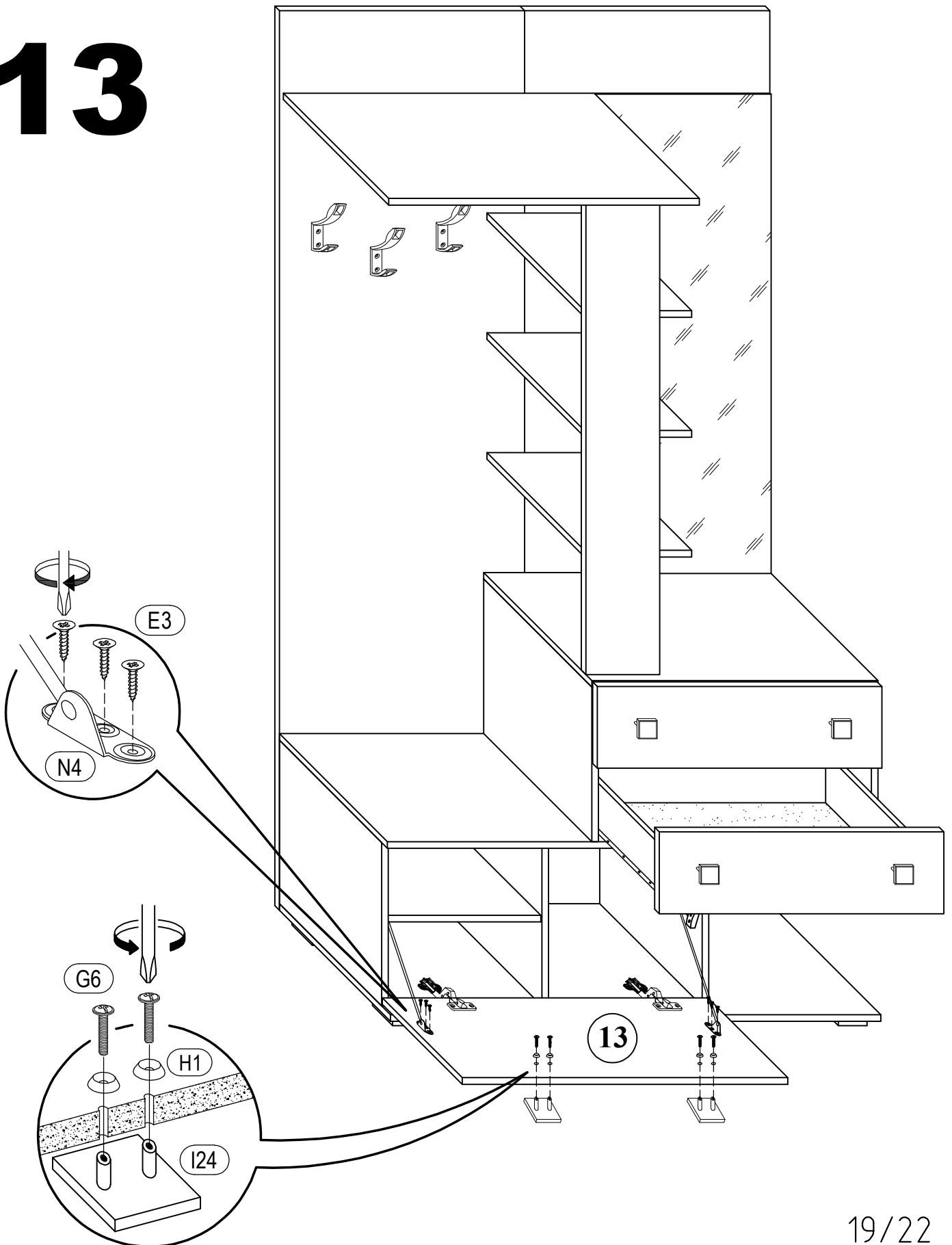


12

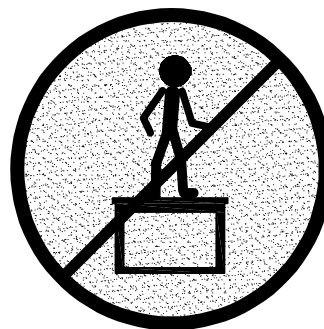
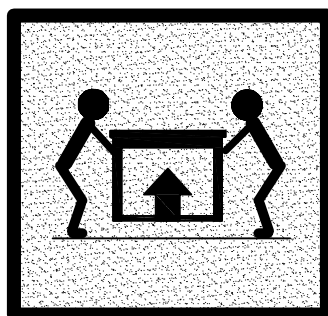
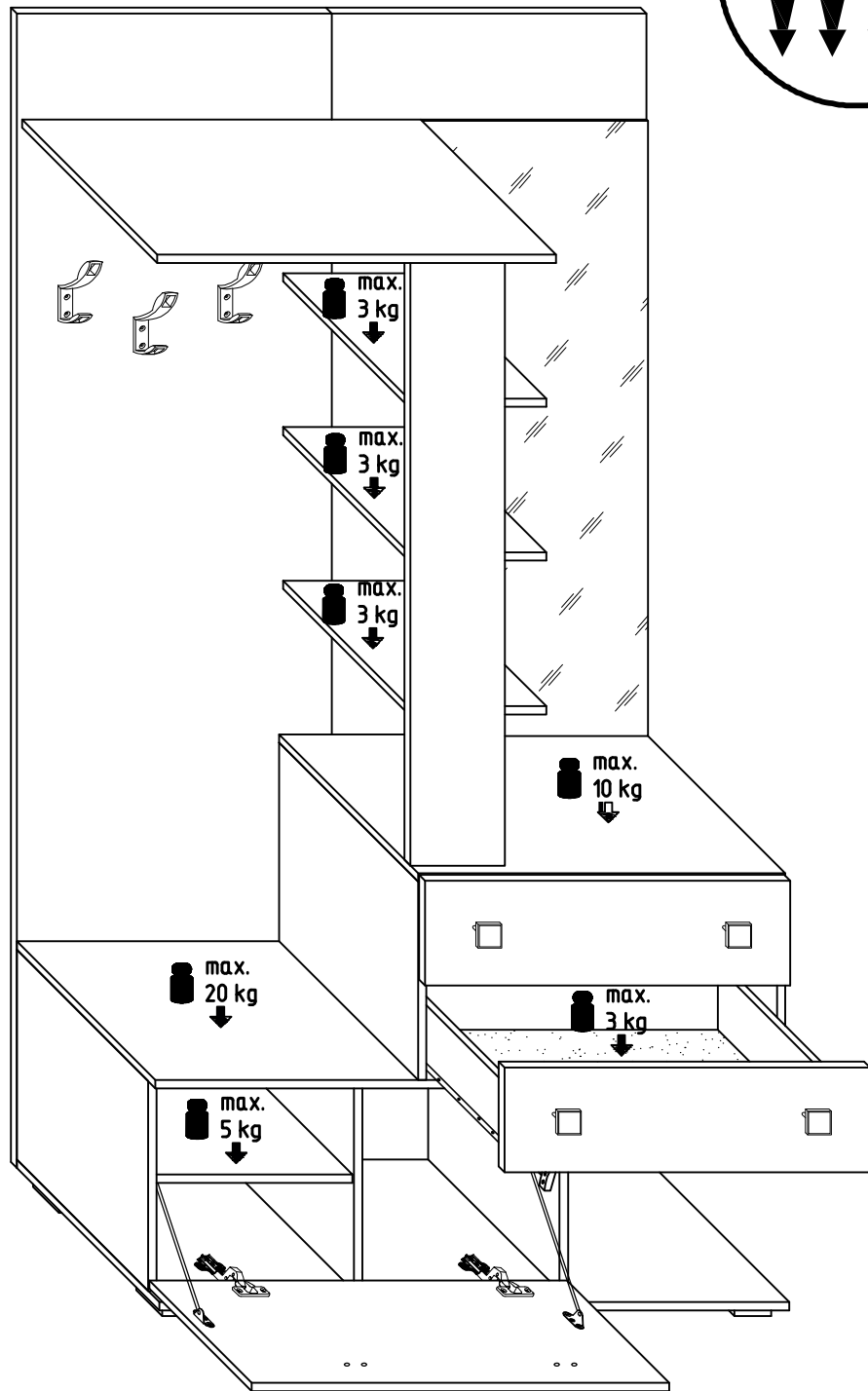
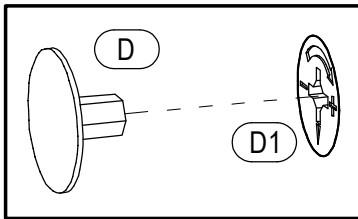
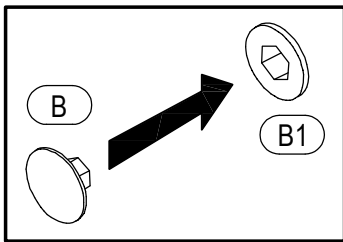
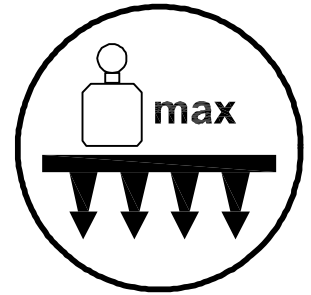
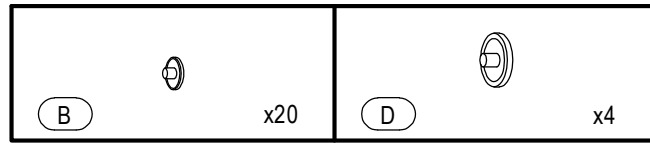


 E3 3*15mm x6	 G6 M 4*25mm x4	 H1 M 4 x4	 I24 x2
---	---	--	---

13



14



15

Sonata

