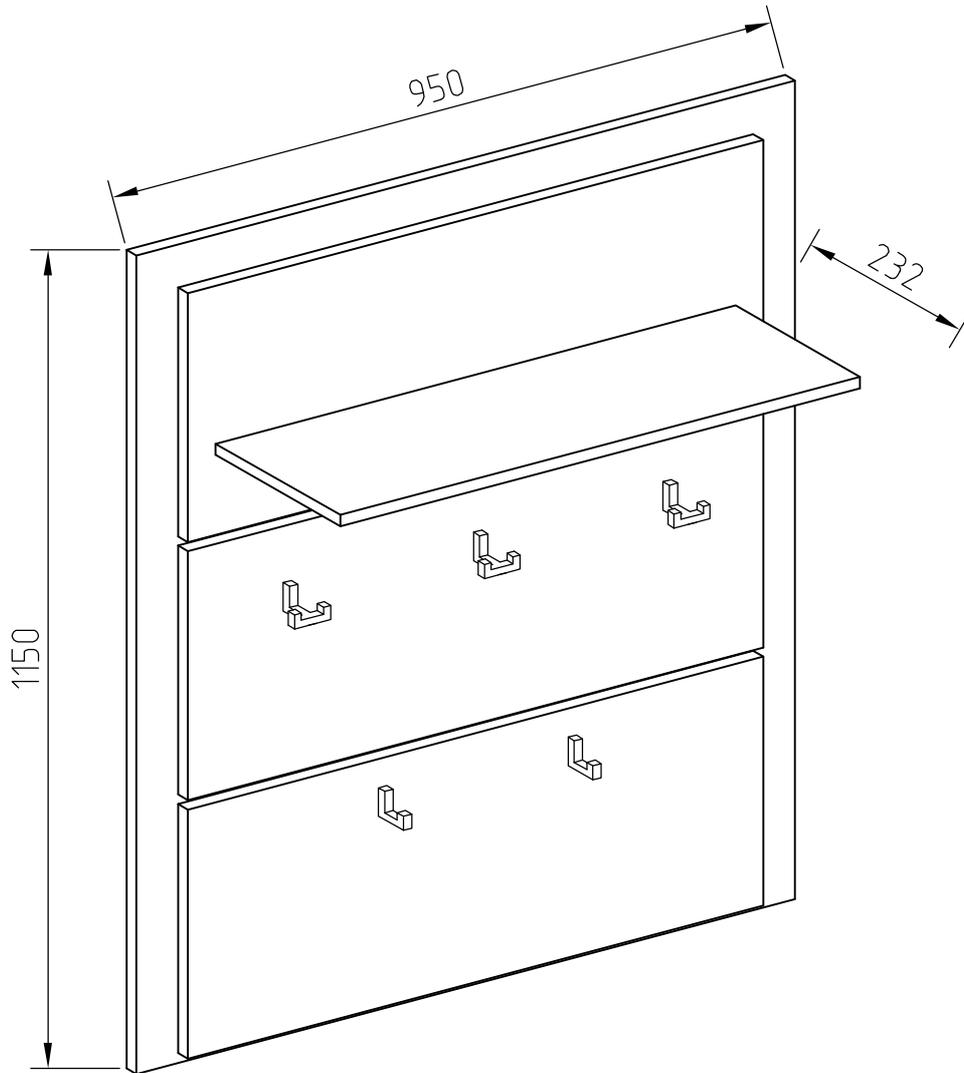
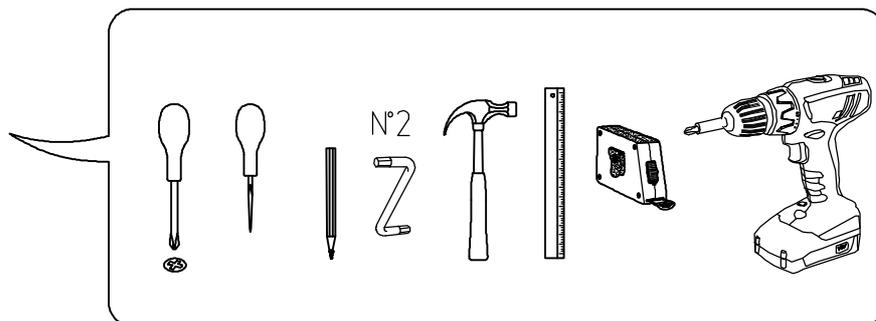
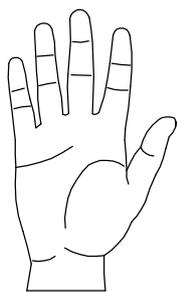


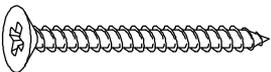
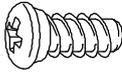
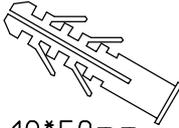
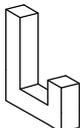
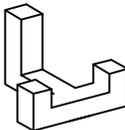


RIO

HANGER

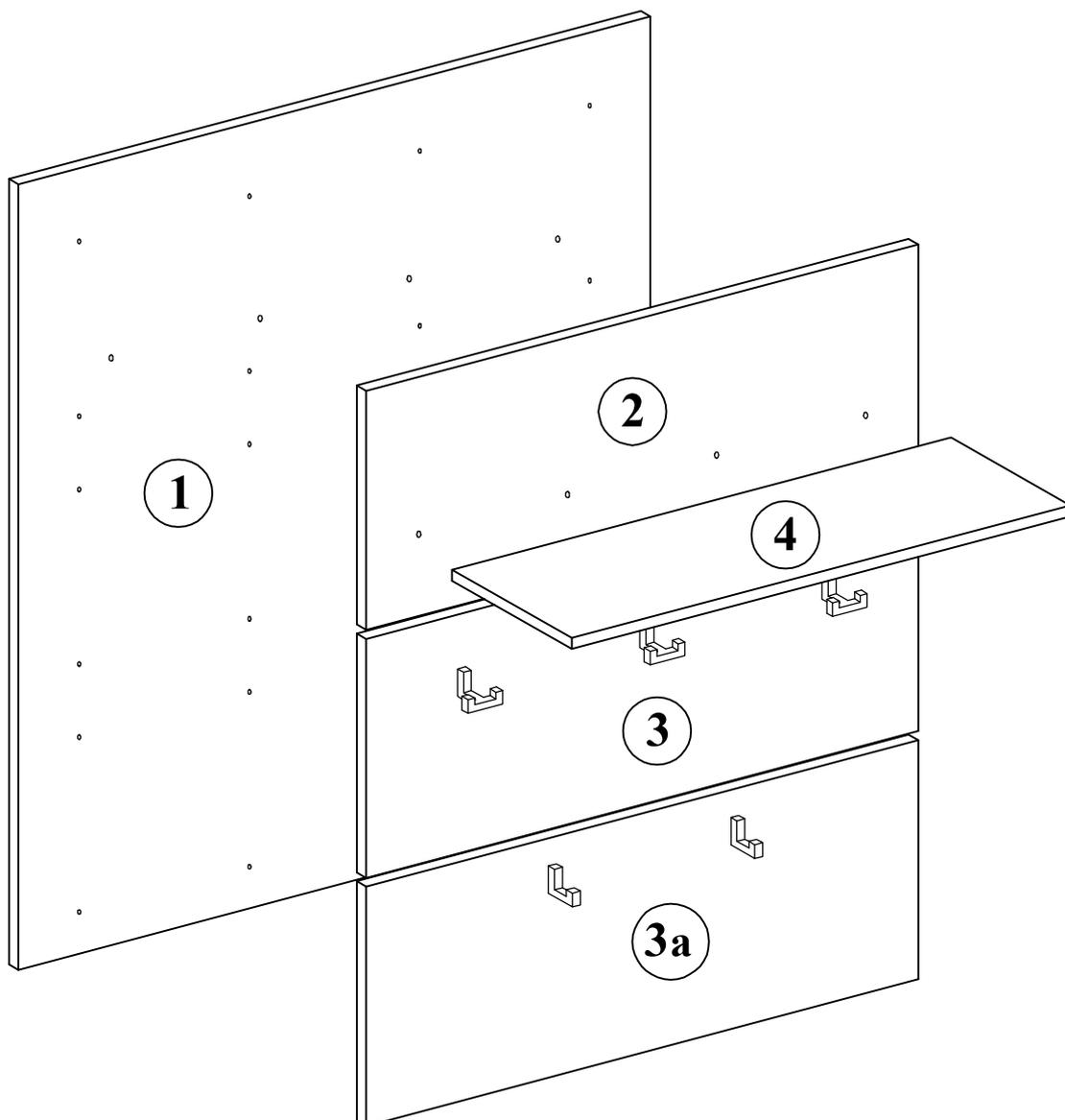
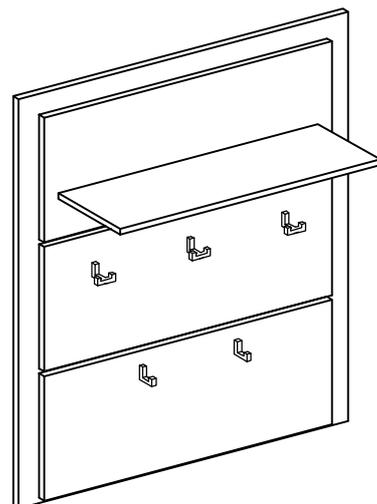




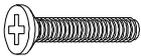
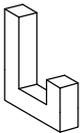
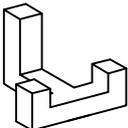
 B x4	 B2 6,8*70mm x4	 E11 4*30mm x24
 E21 6*60mm x3	 F1 5,0*10,5mm x6	 F4 6,3*13mm x2
 Ga1 M 4*20mm x10	 H6 10*50mm x3	 H14 x3
 R4 N°4 x1	 X8 x2	 X9 x3

No	a*b	x	N° → ...
1	950x1150	x1	1/1
2	830x350	x1	1/1
3	830x350	x1	1/1
3a	830x350	x1	1/1
4	750x200	x1	1/1
	 	x1	1/1

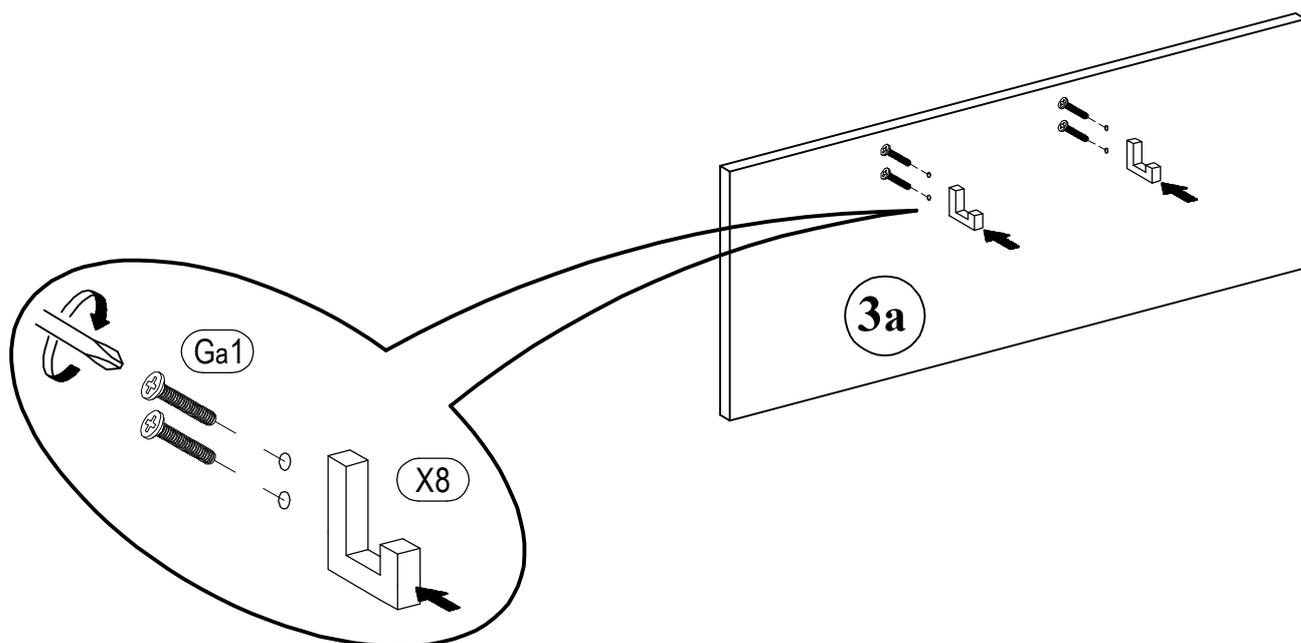
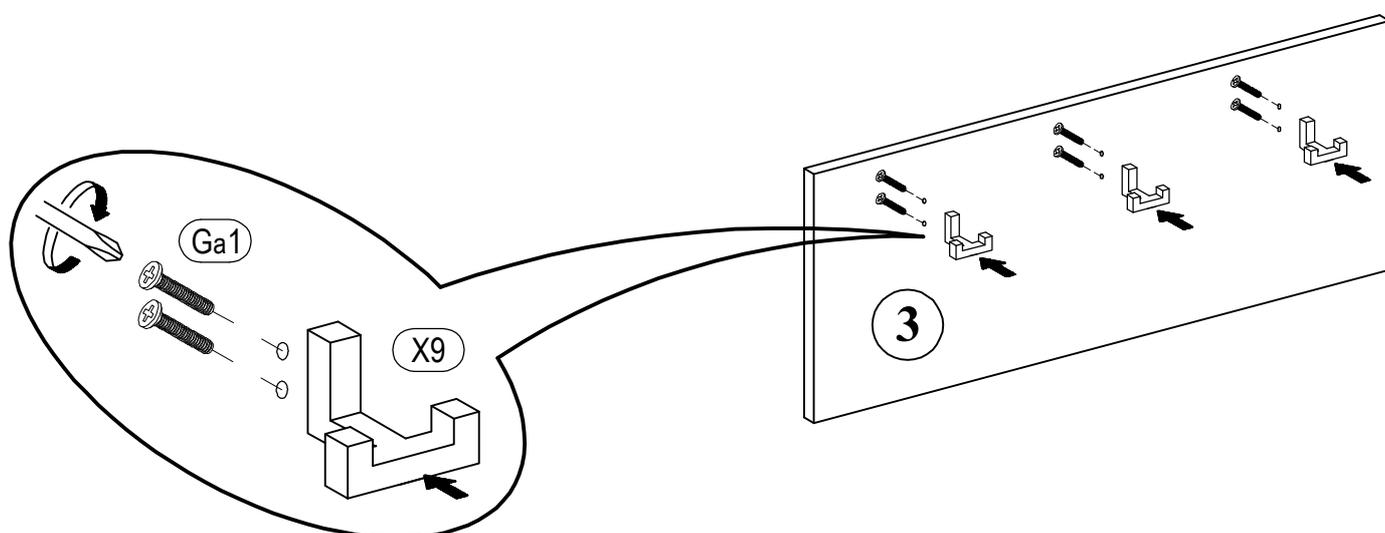
RIO HANGER



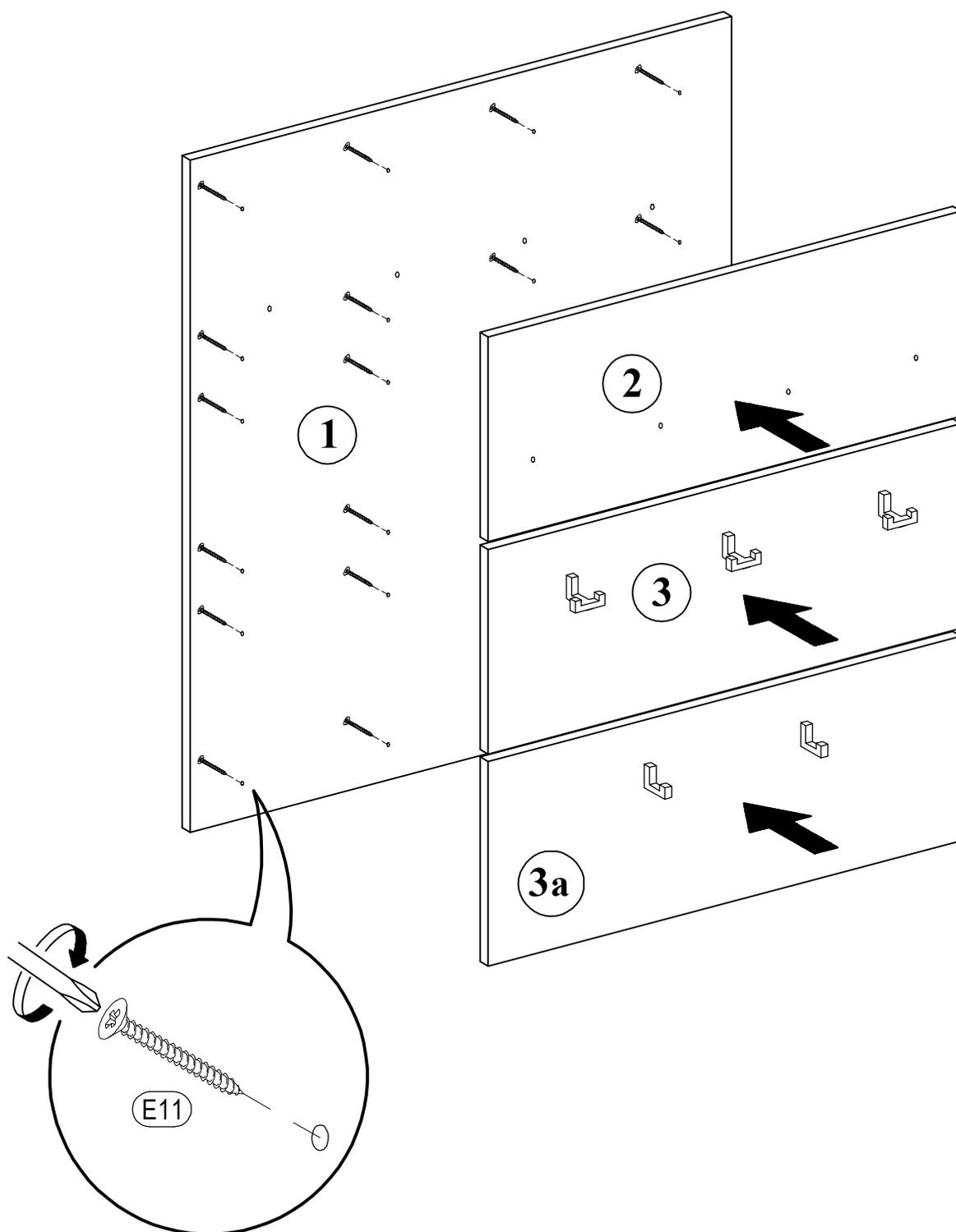
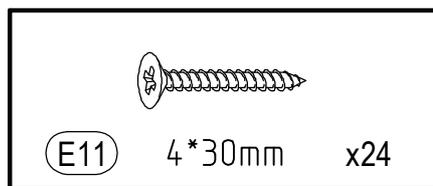
RIO HANGER

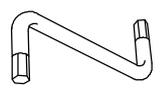
 Ga1 M 4*20mm x10	 X8 x2	 X9 x3
---	--	--

1

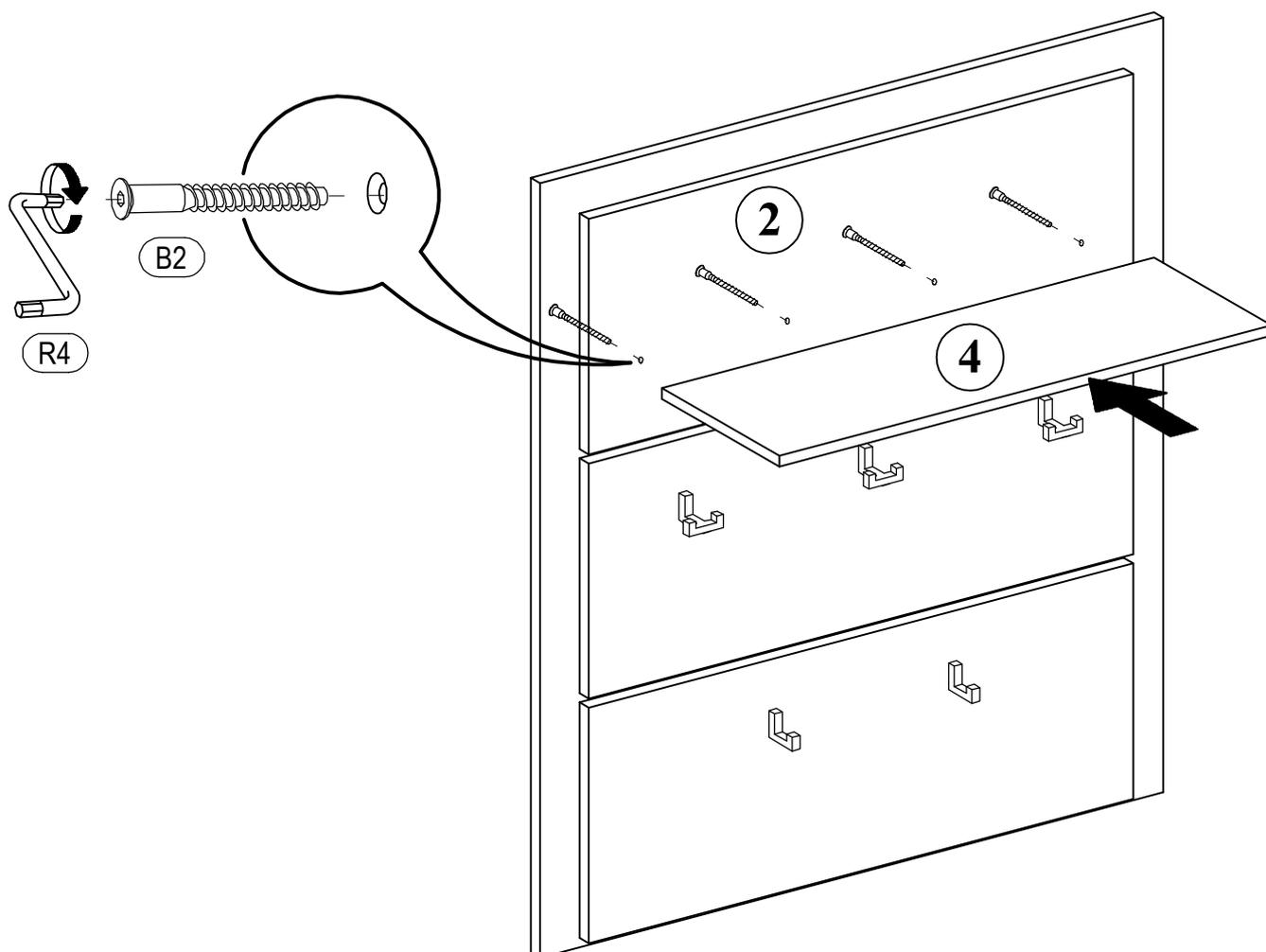


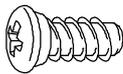
2



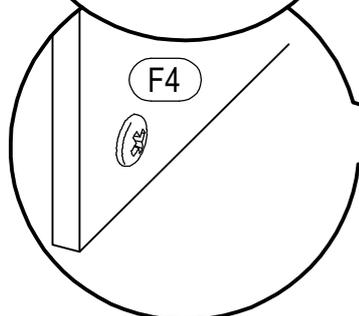
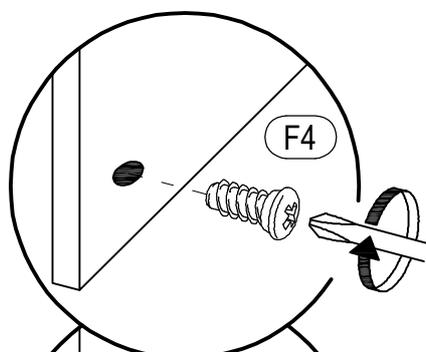
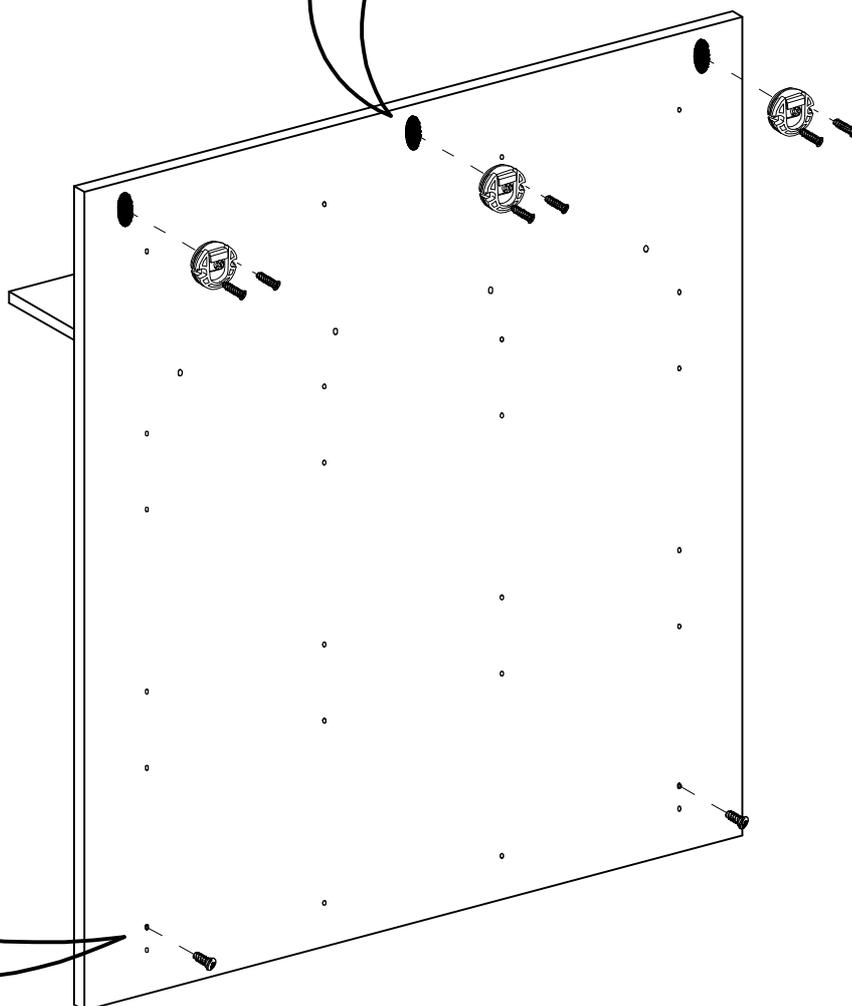
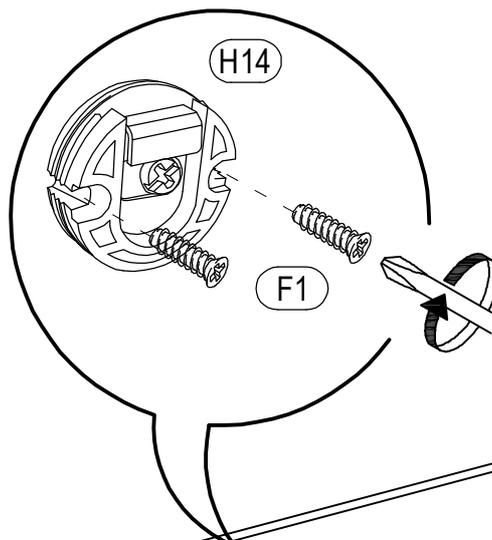
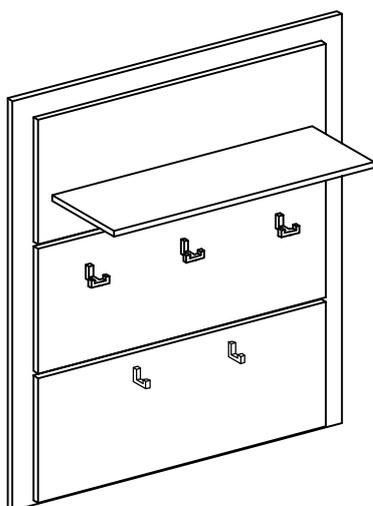
 (B2) 6,8*70mm x4	 (R4) N°4 x1
---	--

3

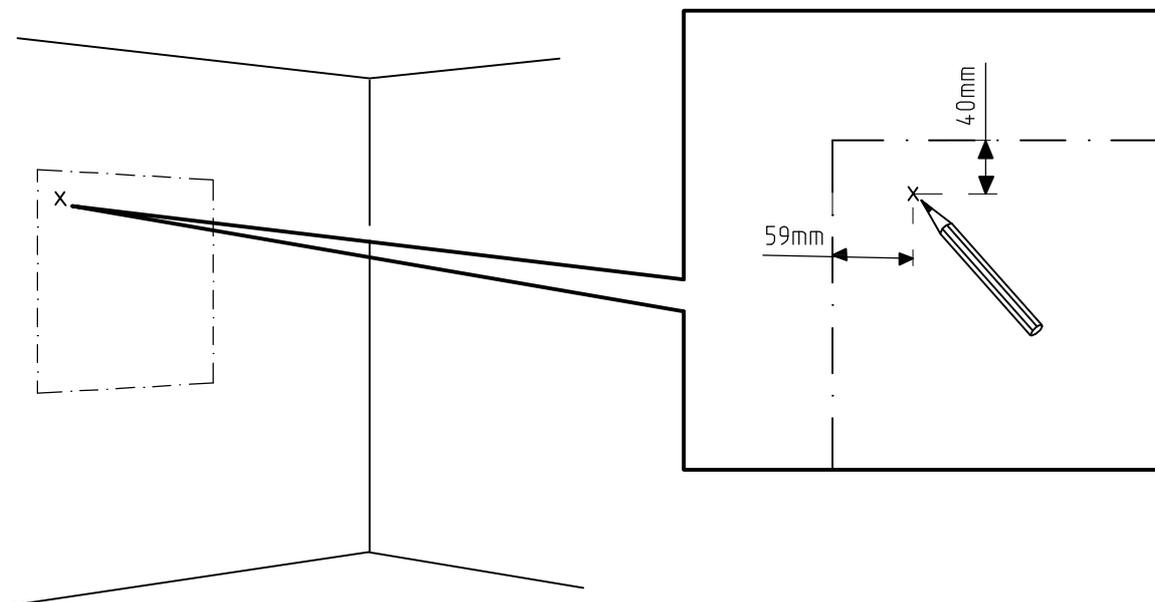


 <p>(F1) 5,0*10,5mm x6</p>	 <p>(F4) 6,3*13mm x2</p>	 <p>(H14) x3</p>
---	---	---

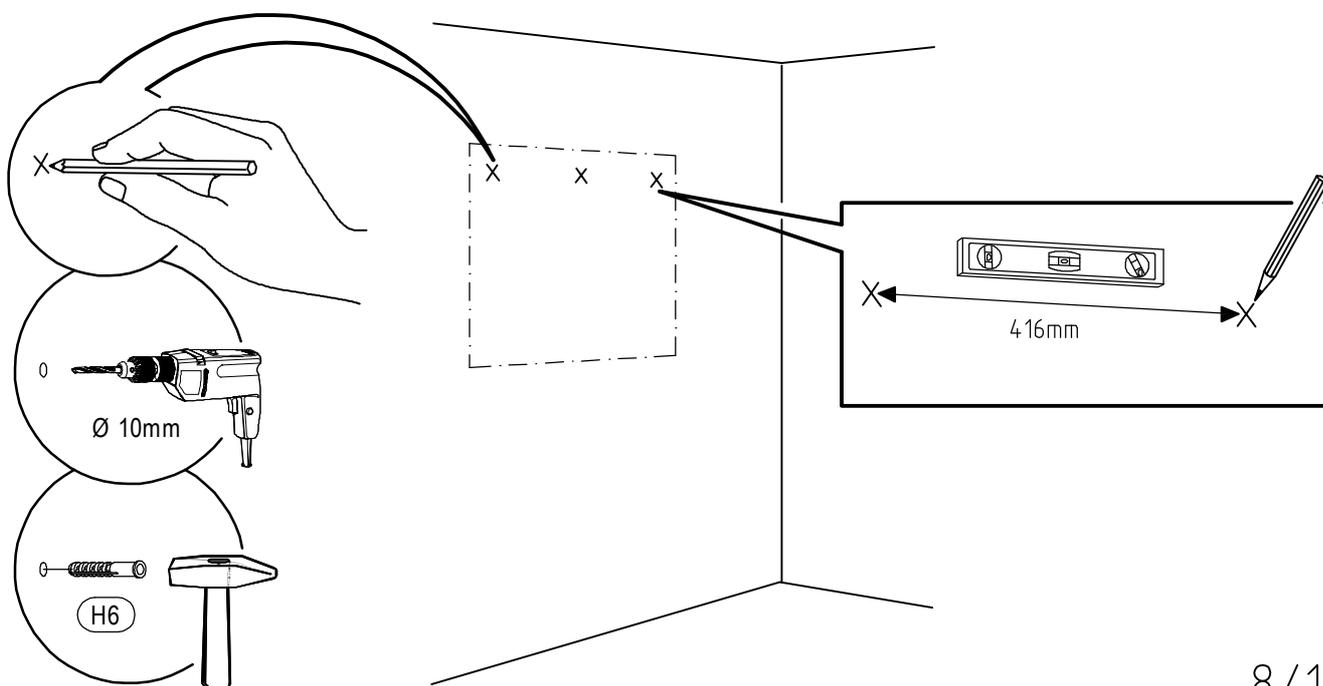
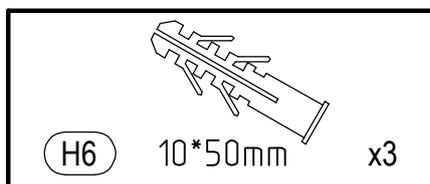
4



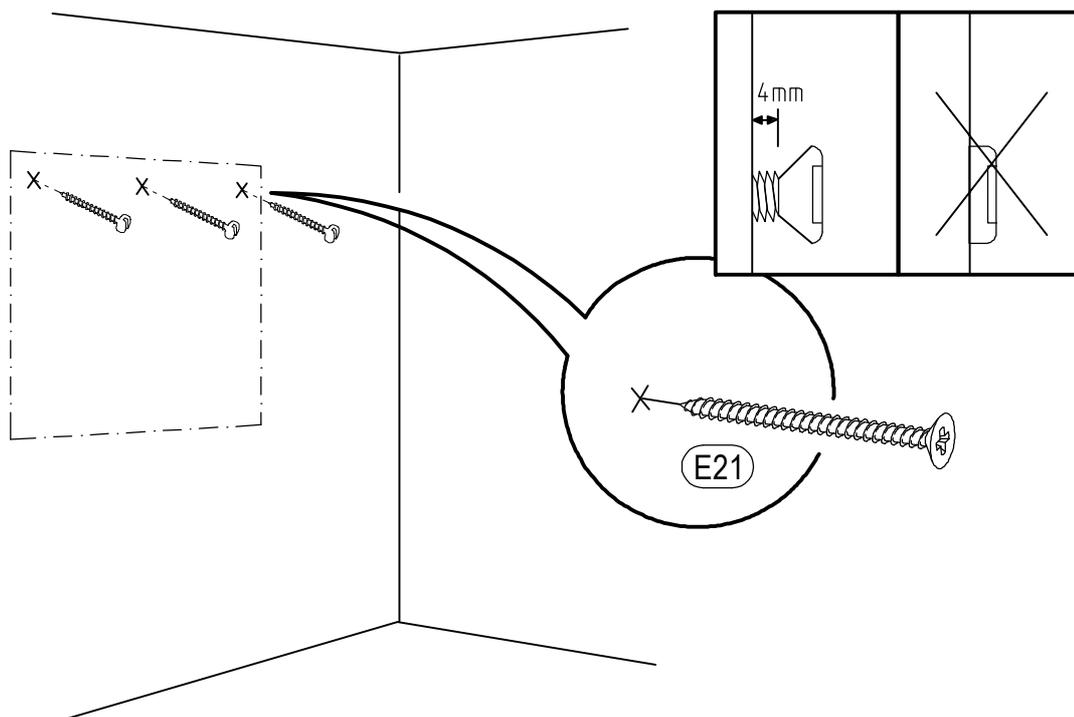
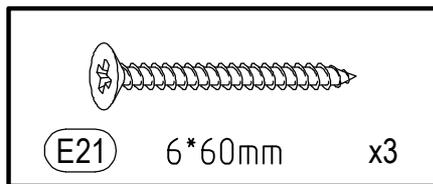
5



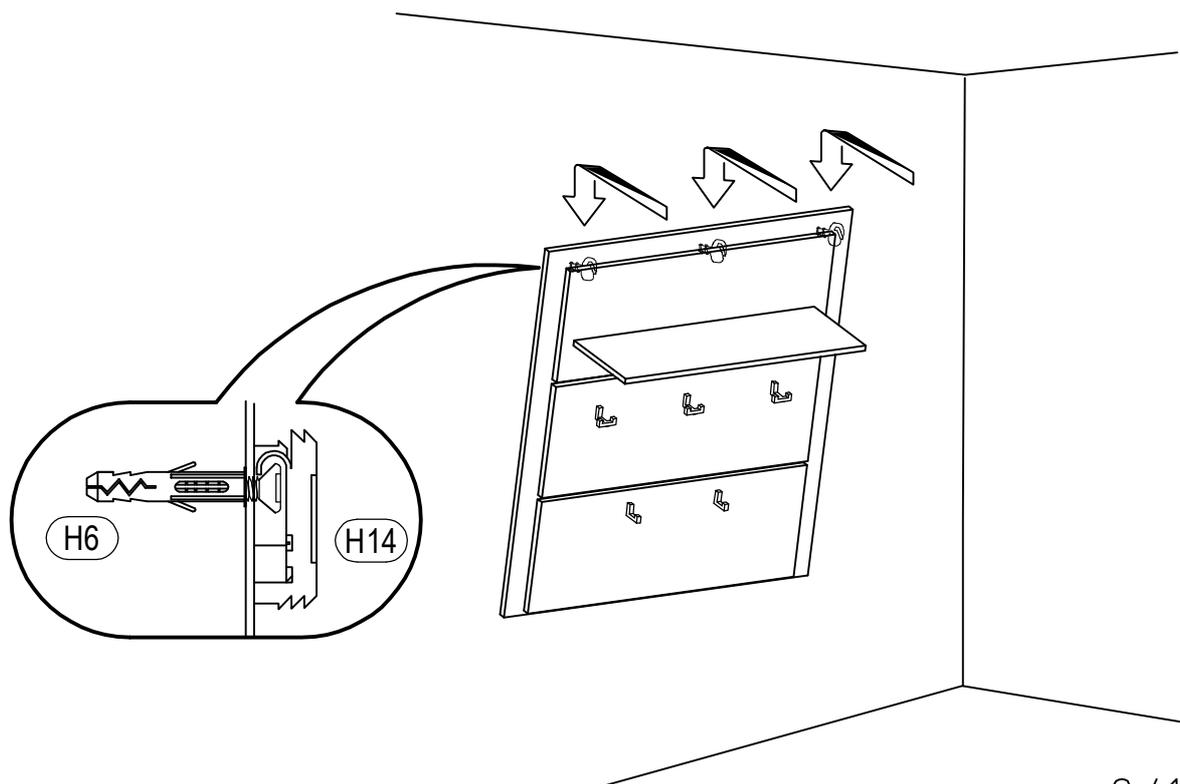
6



7



8



RIO HANGER

9

