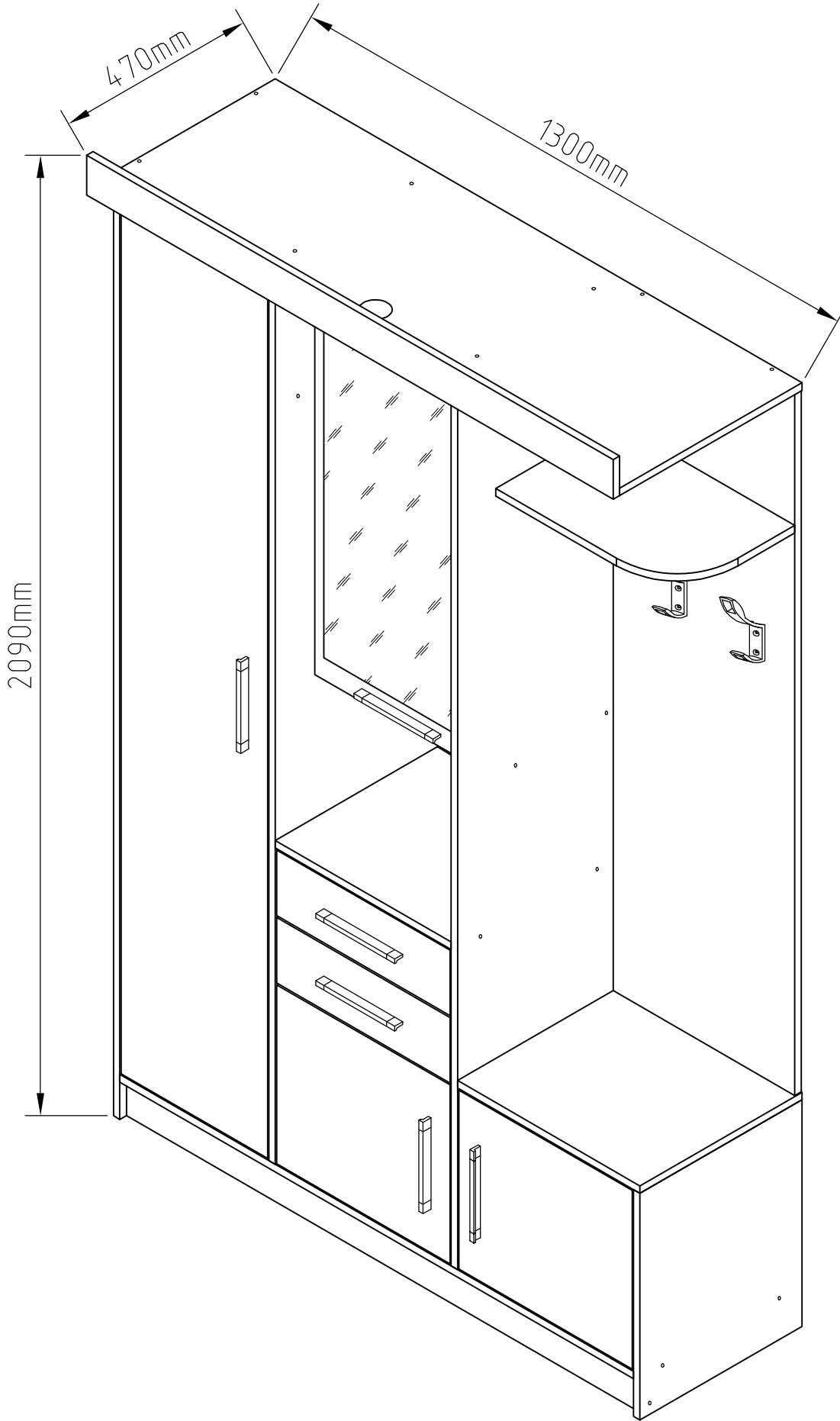
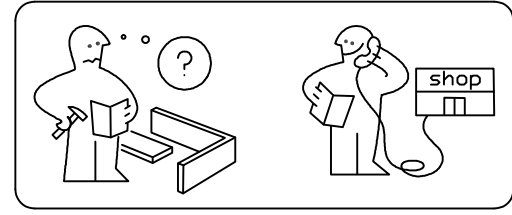
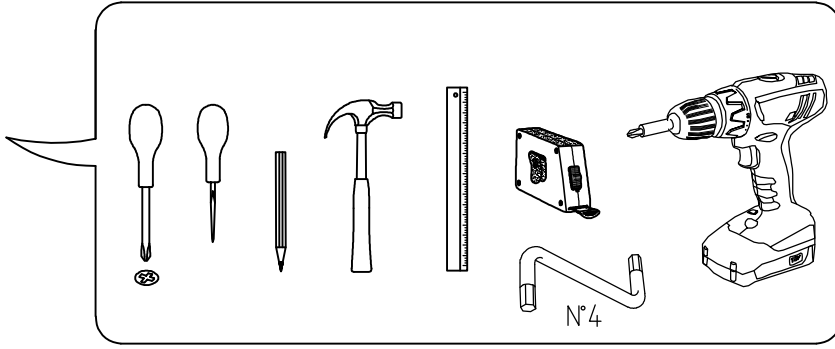
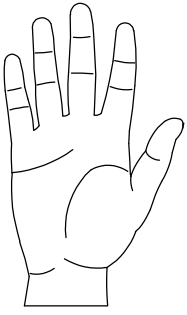
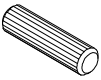

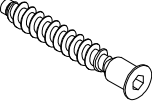
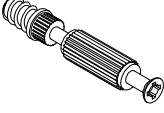



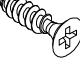

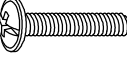


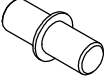

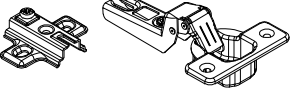

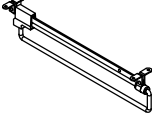

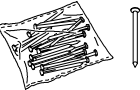
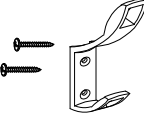



# SILHOUETTE 1

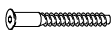


# Silhouette 1

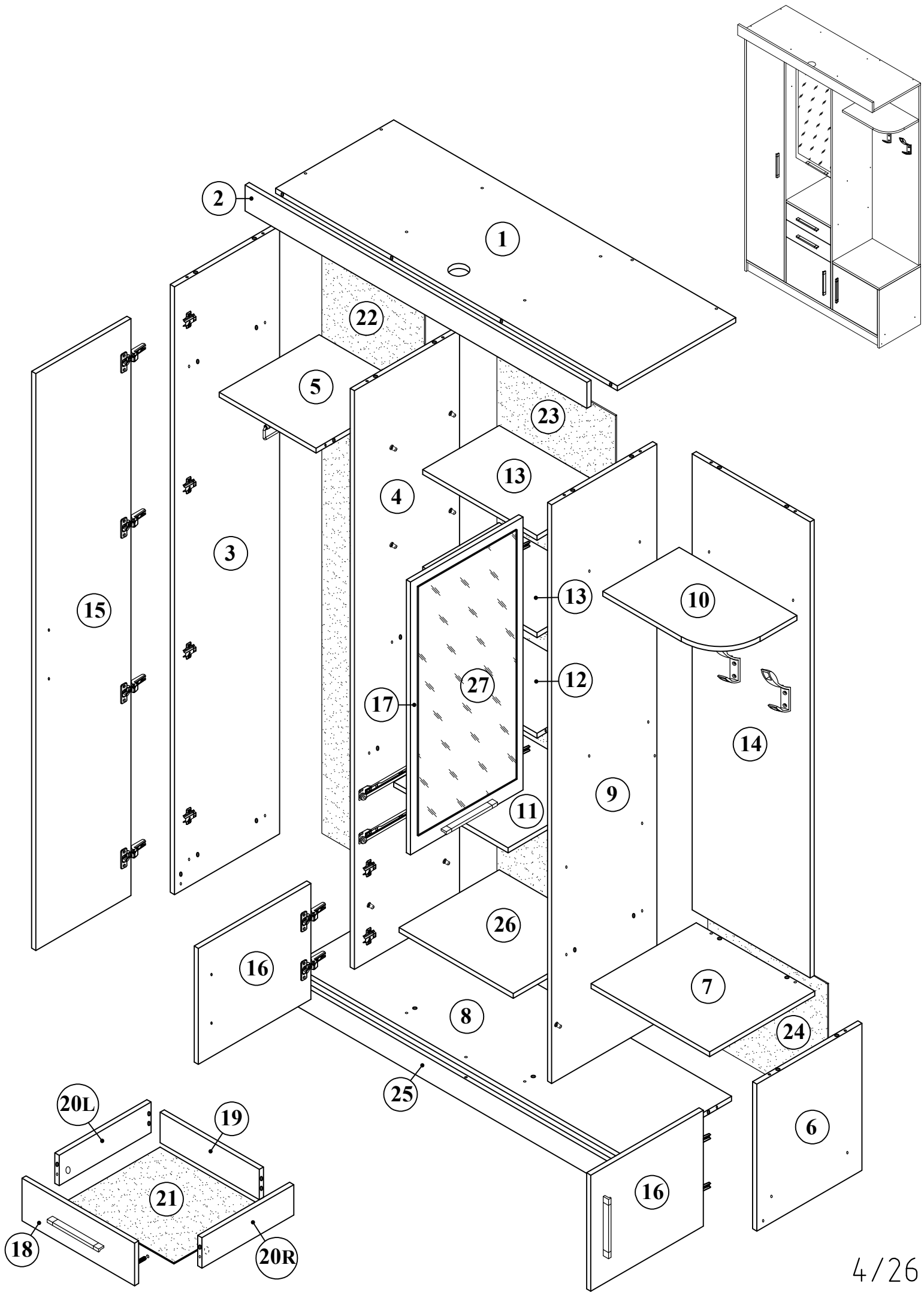


 <b>A1</b> 8*30mm x50	 <b>B</b> $\phi$ 12mm x20	 <b>B1</b> 6,3*50mm x41
 <b>C1</b> 6*43mm x6	 <b>D</b> $\phi$ 20mm x6	 <b>D1</b> 15/16 x6
 <b>E4</b> 3*15mm x16	 <b>E12</b> 4*16mm x24	 <b>F4</b> 6,3*13mm x20
 <b>G6</b> M 4*22mm x12	 <b>H1</b> M 4 x12	 <b>I19</b> D-752 x6
 <b>J1</b> 5*16mm x14	 <b>K1</b> x6	 <b>L3</b> x10
 <b>M1</b> L- 350 mm x2	 <b>N6</b> L-350mm x1	 <b>R1</b> x1
 <b>R3</b> 1.4*25mm 50g	 <b>X4</b> DW08 x2	 <b>T2</b> x1

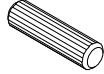



# Silhouette 1

No	a*b	x	N°→...	No	a*b	x	N°→...
1	1300×450	1	2/4	17	898×428	1	2/4
2	1300×85	1	2/4	18	140×428	2	2/4
3	2000×400	1	1/4	19	100×377	2	1/4
4	1904×400	1	1/4	20L	100×350	2	3/4
5	368×380	1	2/4	20R	100×350	2	3/4
6	484×400	1	3/4	21	354×407	2	4/4
7	450×400	1	3/4	22	1932×390	1	4/4
8	1268×400	1	2/4	23	1932×450	1	4/4
9	1904×400	1	1/4	24	416×456	1	4/4
10	448×290	1	3/4	25	1268×80	1	2/4
11	434×400	1	3/4	26	434×380	1	3/4
12	434×290	1	2/4	27	820×375	1	
13	434×290	2	2/4				
14	1500×448	1	2/4			1	3/4
15	1898×362	1	1/4				
16	382×428	2	3/4				

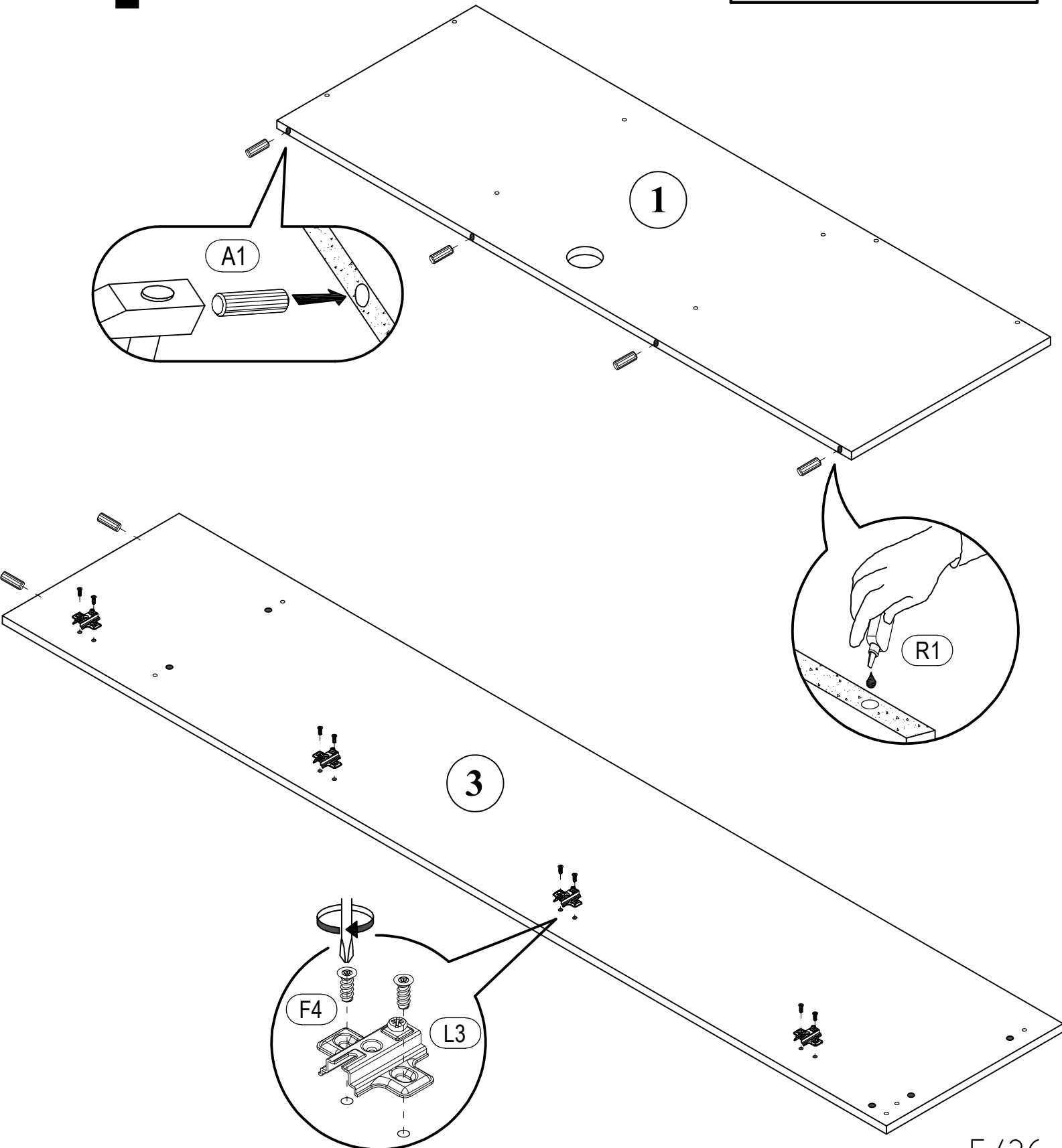
# Silhouette 1

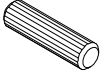



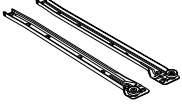


# Silhouette 1

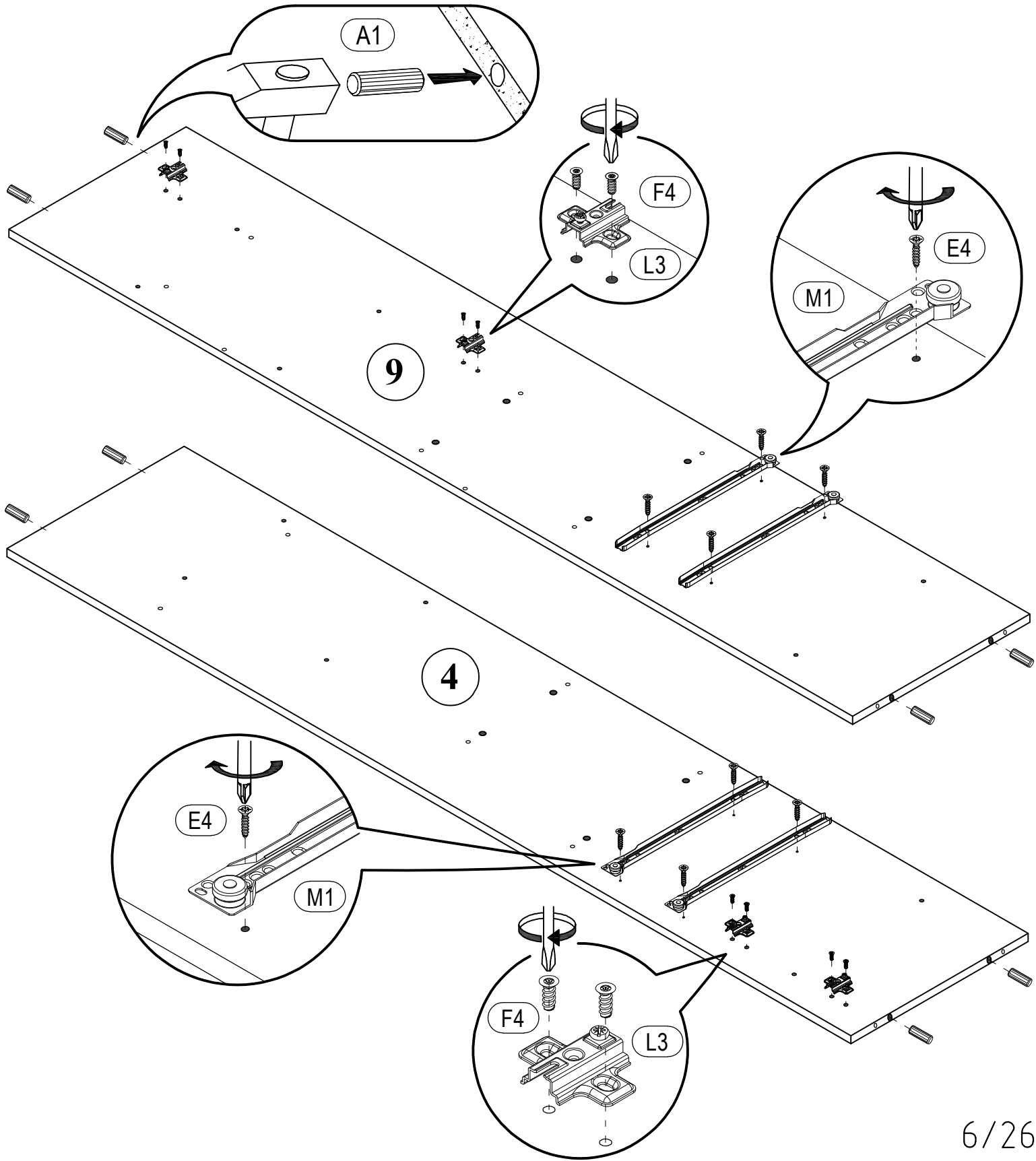
 <b>A1</b> 8*30mm x6	 <b>F4</b> 6,3*13mm x8	 <b>L3</b> x4
		 <b>R1</b> x1

# 1

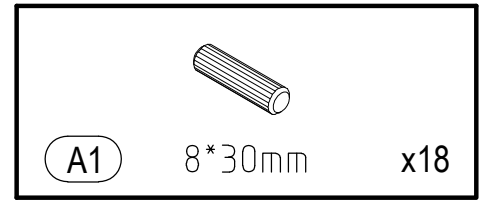


 A1 8*30mm x8	 E4 3*15mm x8	 F4 6,3*13mm x8
	 L3 x4	 M1 L- 350 mm x2

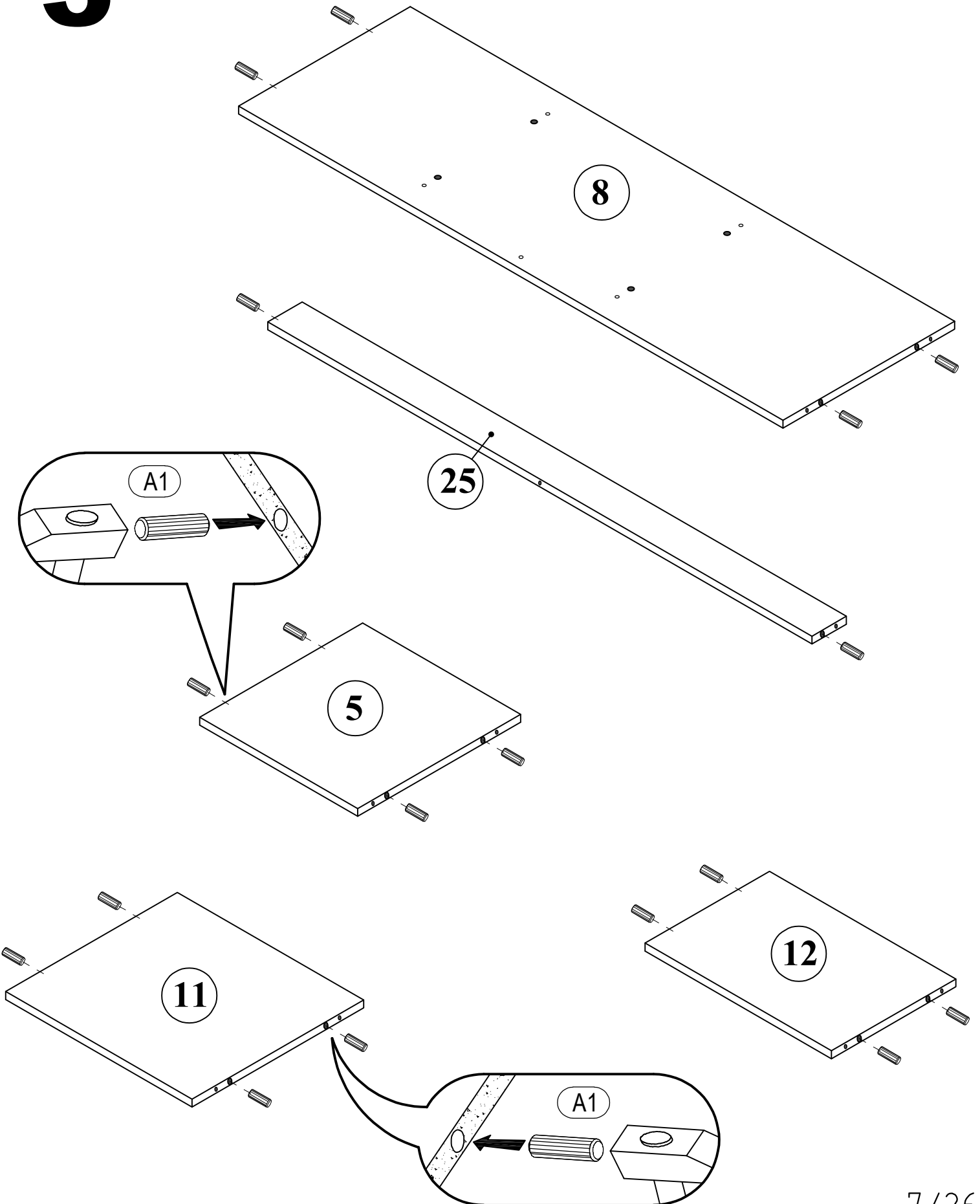
# 2

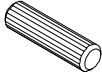
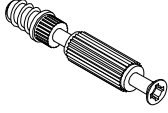


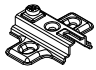


# Silhouette 1

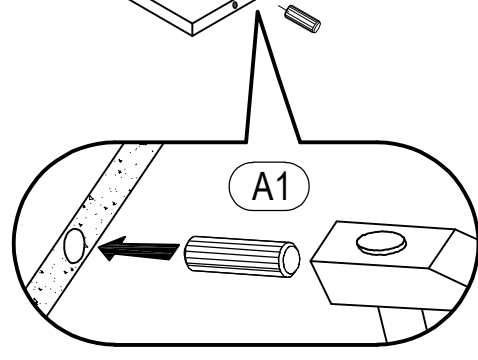
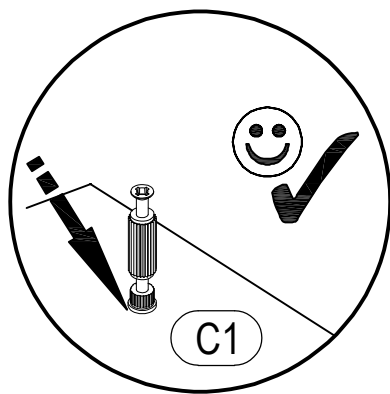
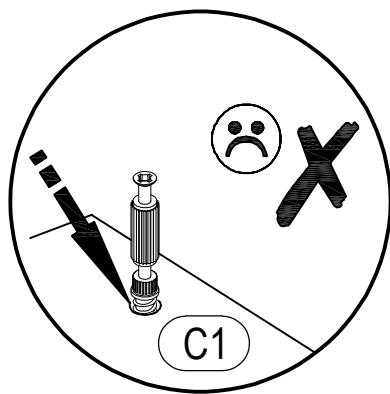
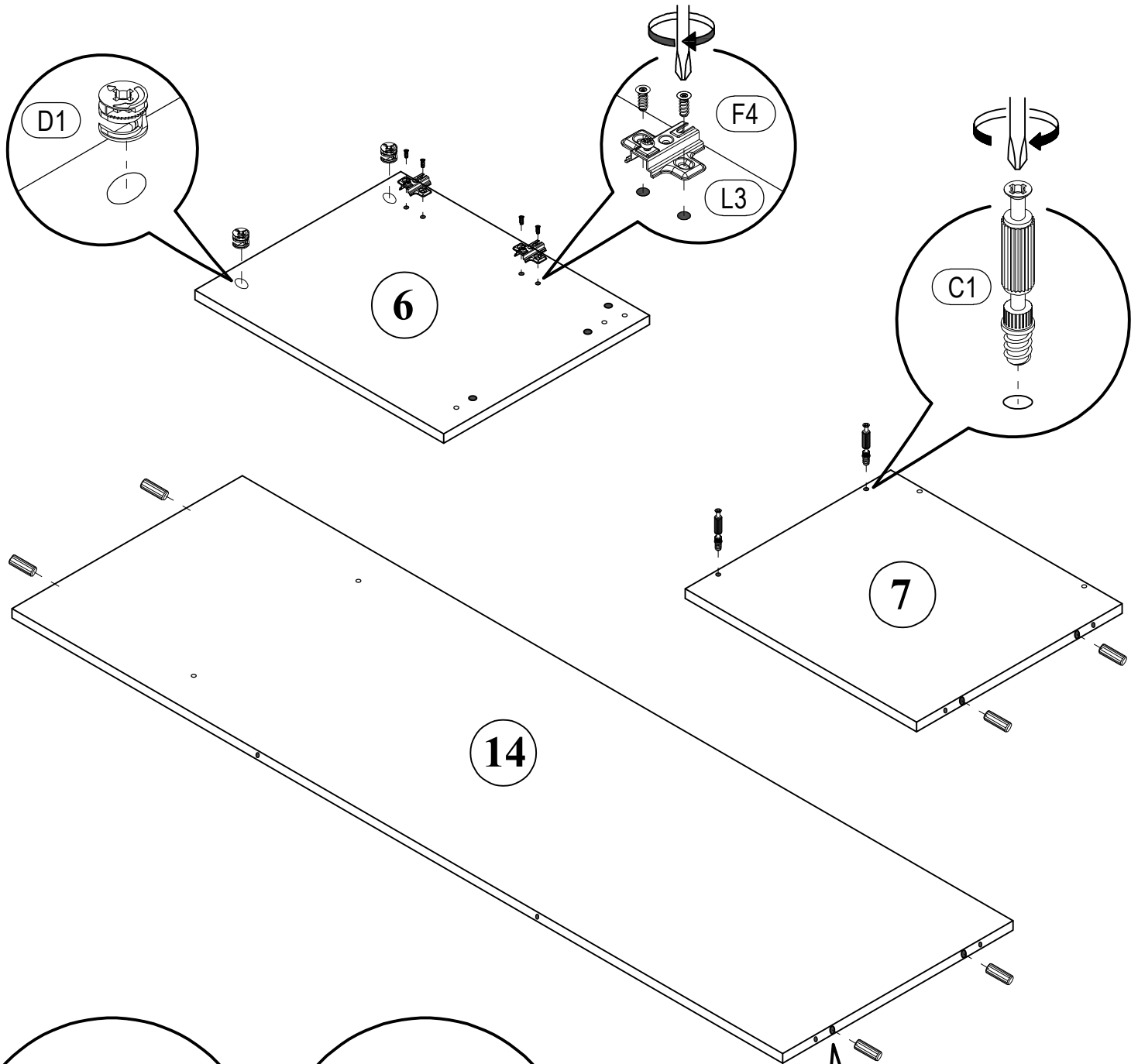


# 3



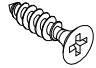
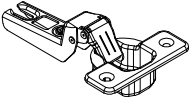
 <b>A1</b> 8*30mm x6	 <b>C1</b> 6*43mm x2	 <b>D1</b> 15/16 x2
 <b>F4</b> 6,3*13mm x4	 <b>L3</b> x2	

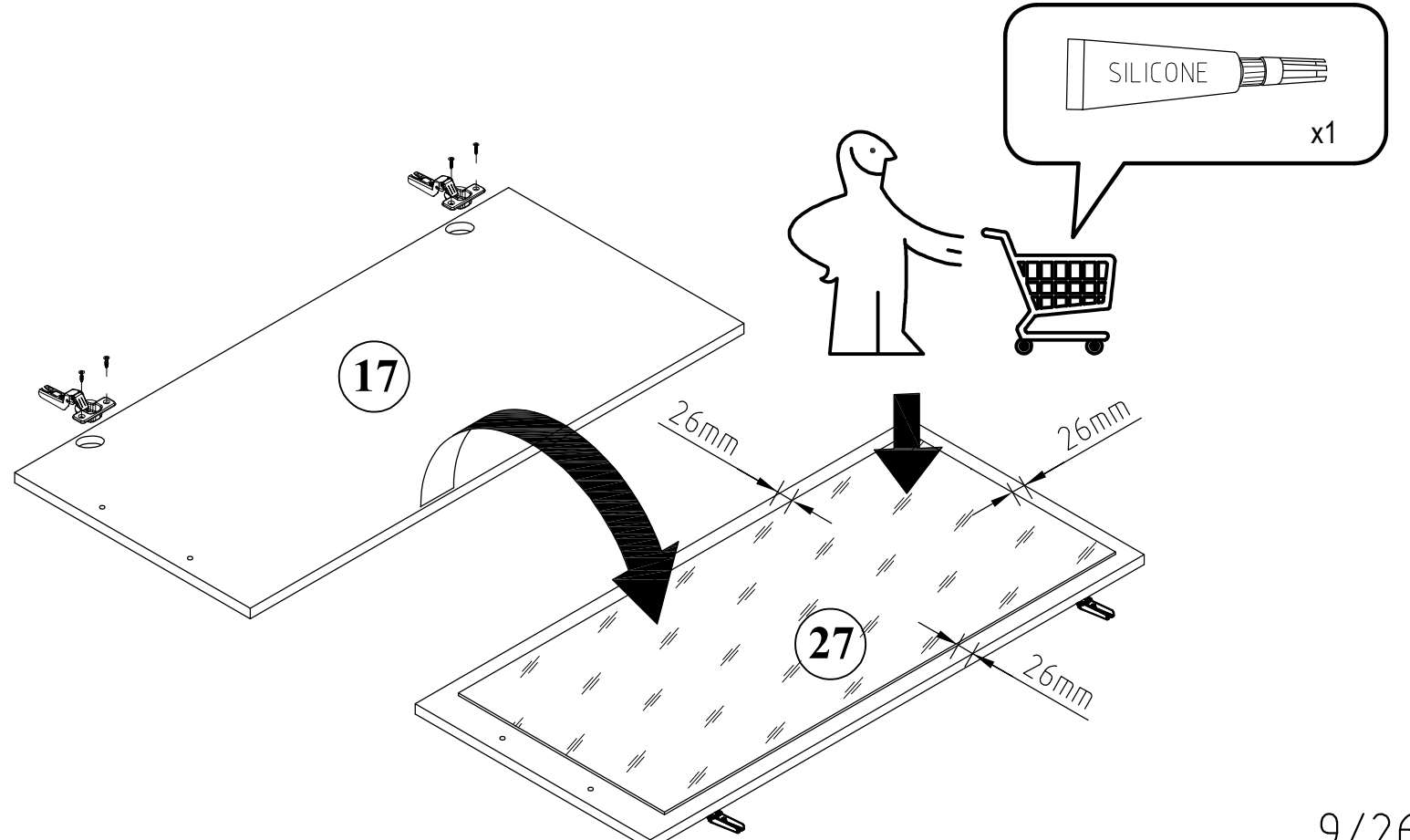
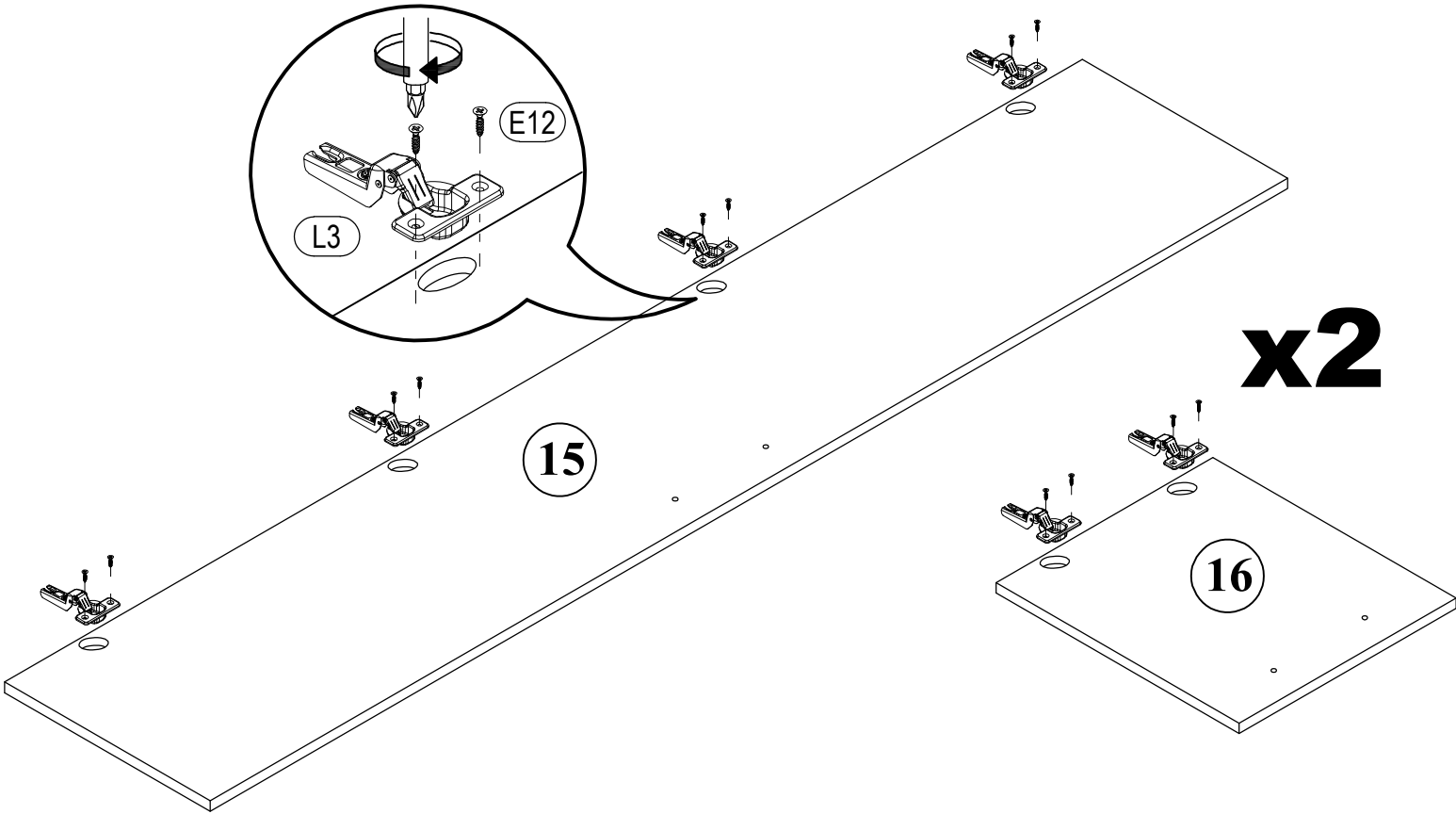
# 4





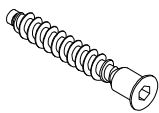

# 5

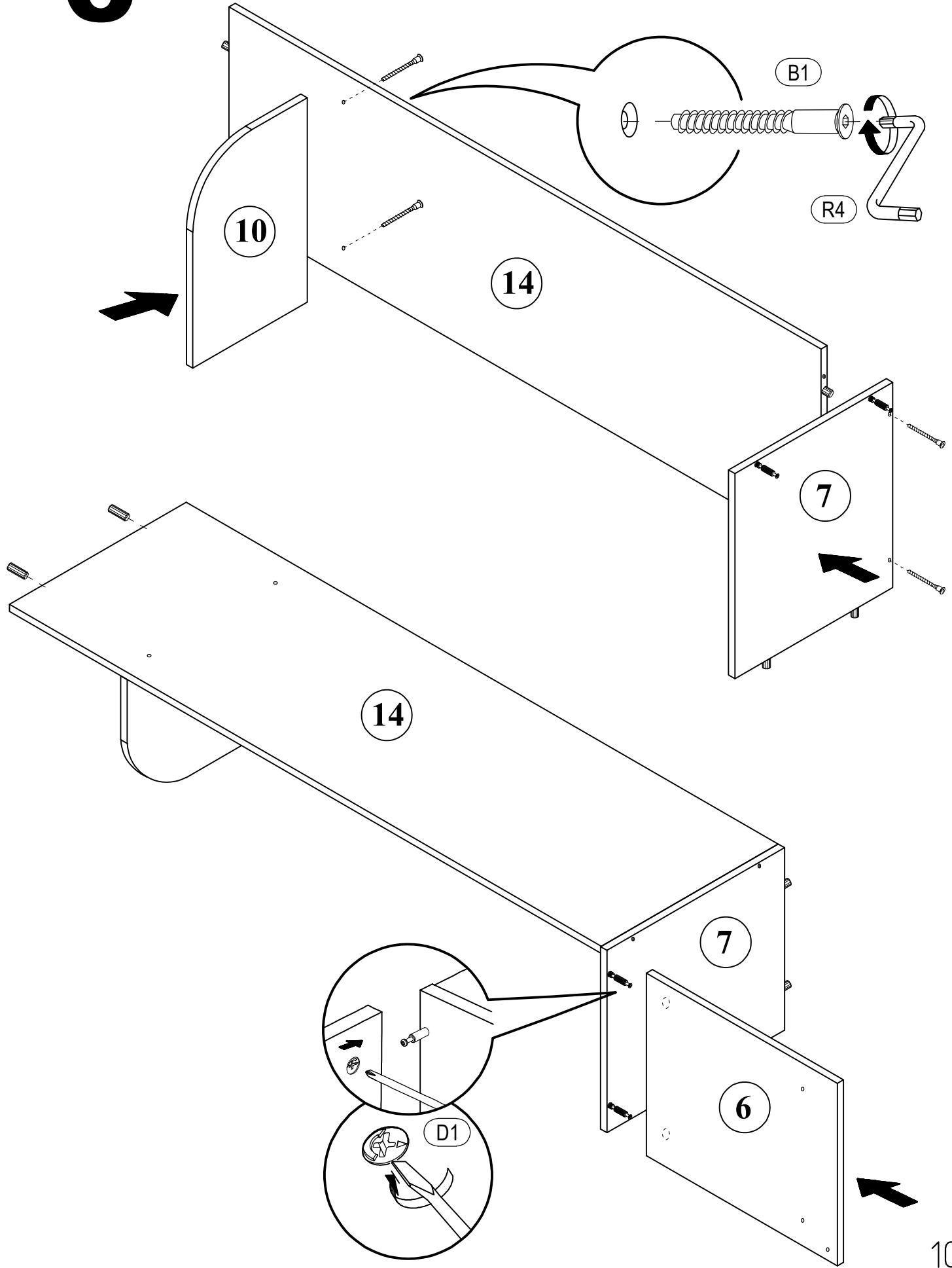
 <p>(E12) 4*16mm x16</p>	 <p>(L3) x8</p>
---	--



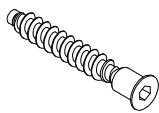

# Silhouette 1

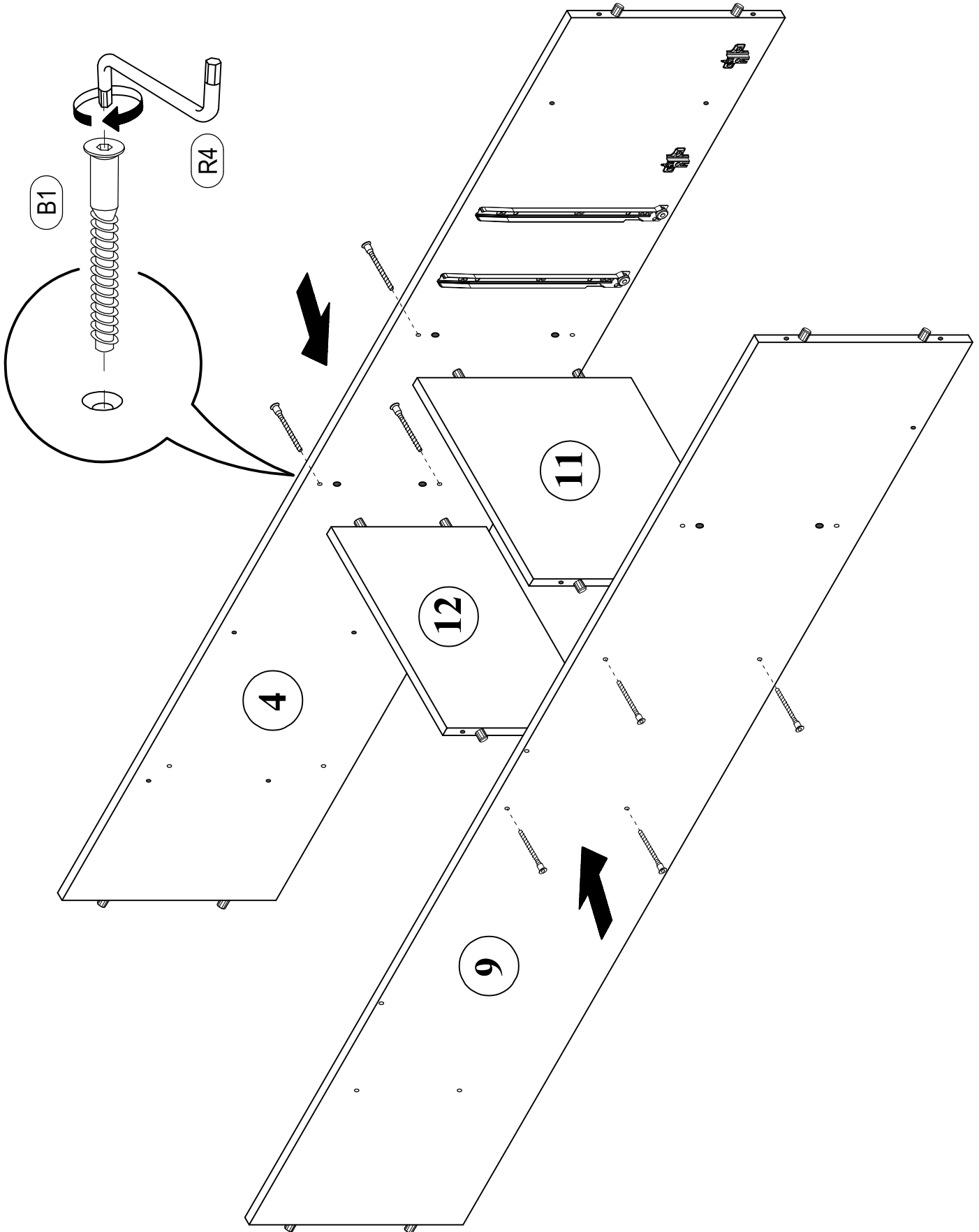
# 6

	
(B1) 6,3*50mm x4	(R4) N°4 x1

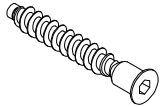



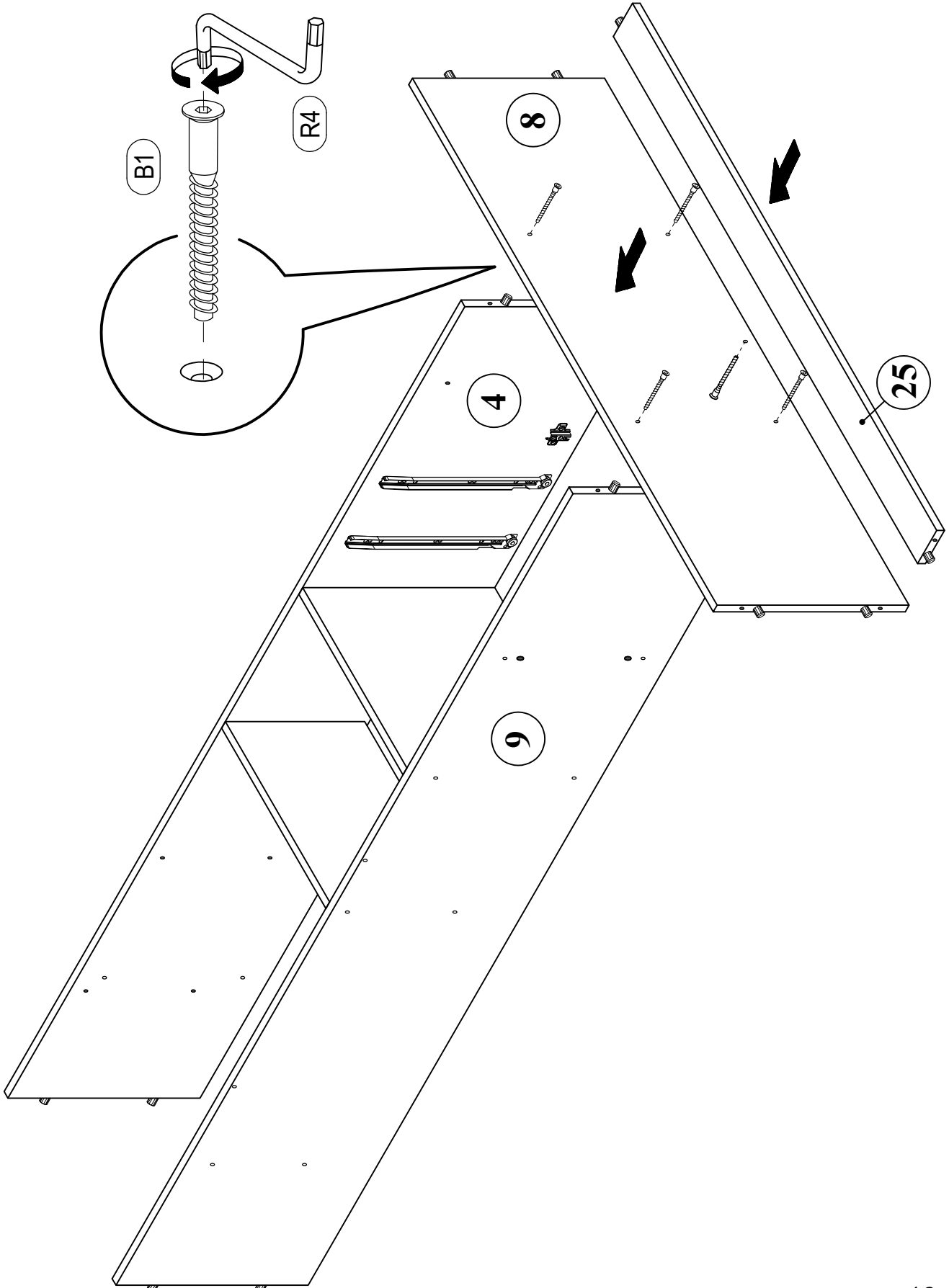
# 7

 B1 6,3*50mm x8	 R4 N°4 x1
---	--

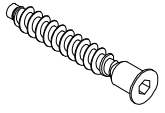



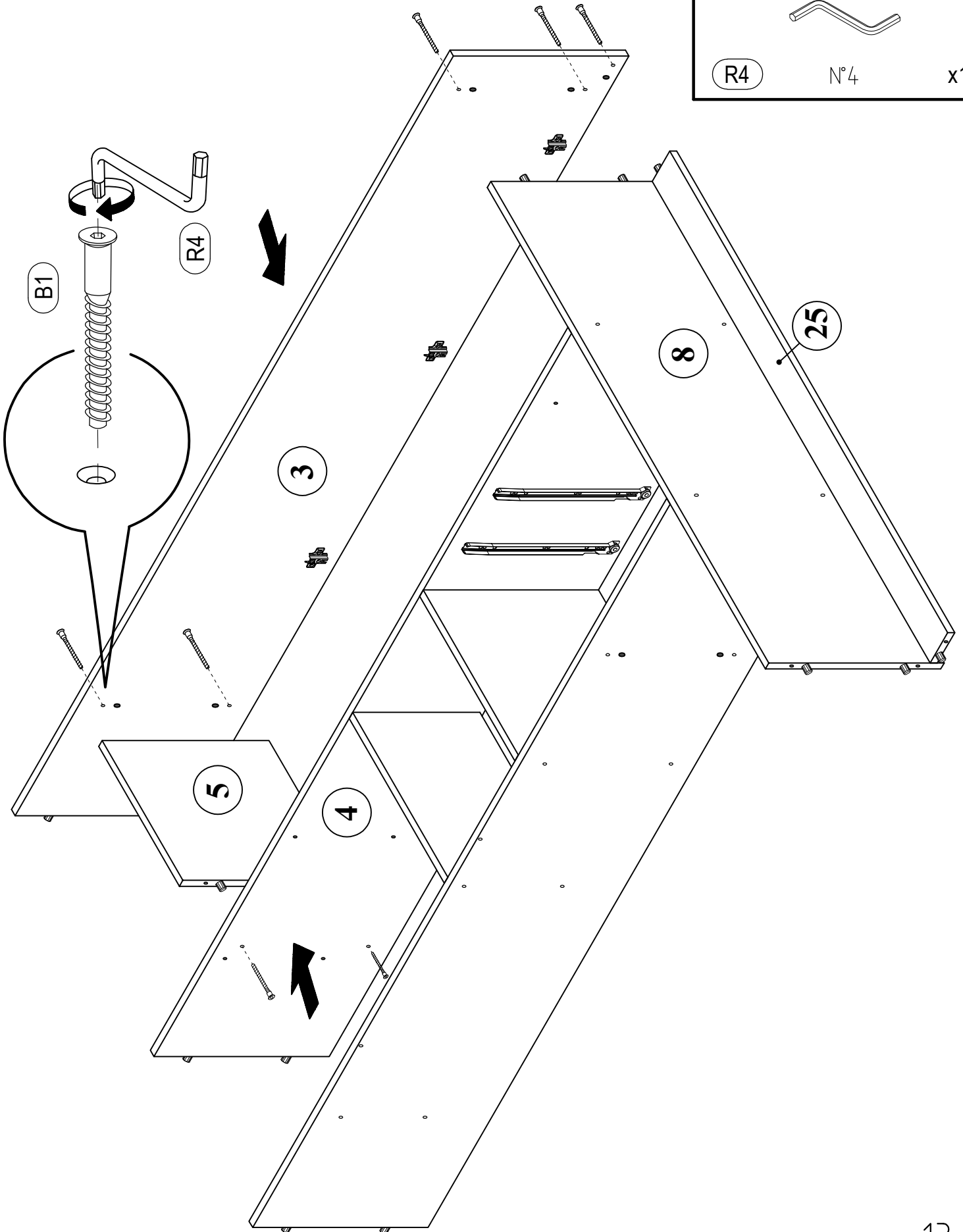
# 8

	
<b>B1</b> 6,3*50mm x5	<b>R4</b> N°4 x1

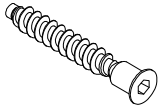



# 9

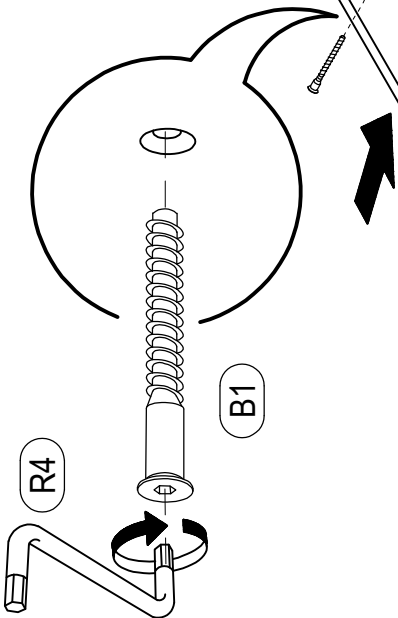
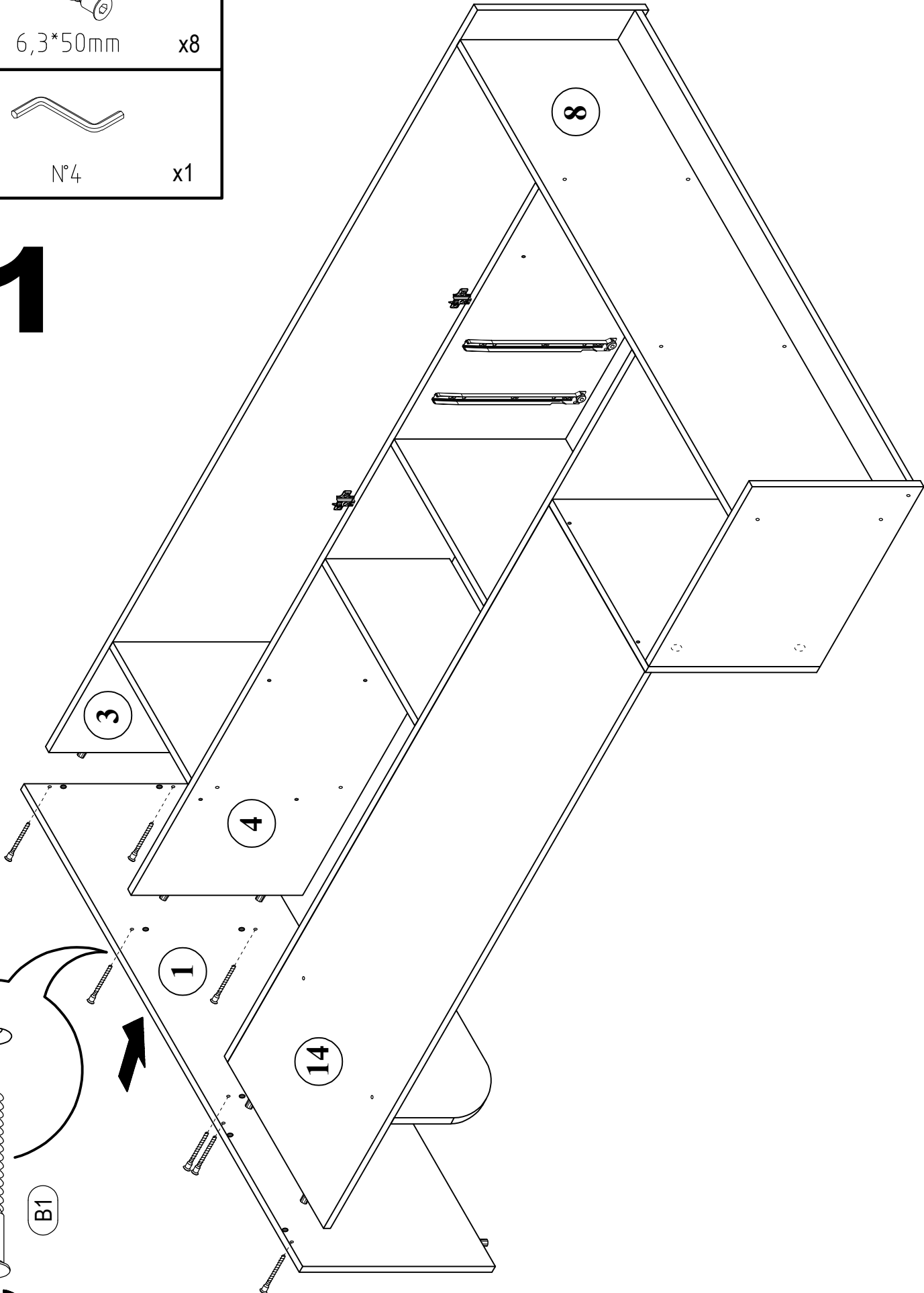
	<b>B1</b> 6,3*50mm	x7
	<b>R4</b> N°4	x1







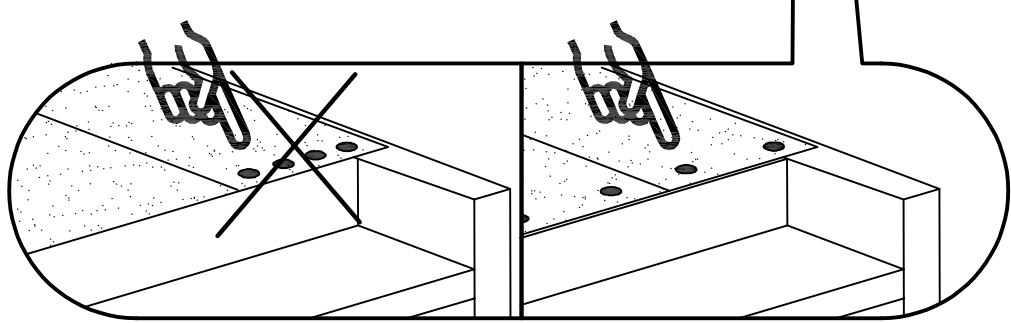
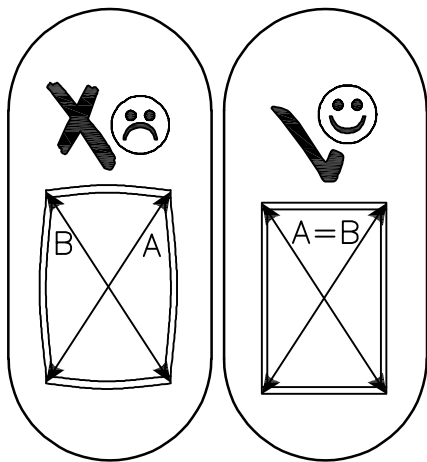
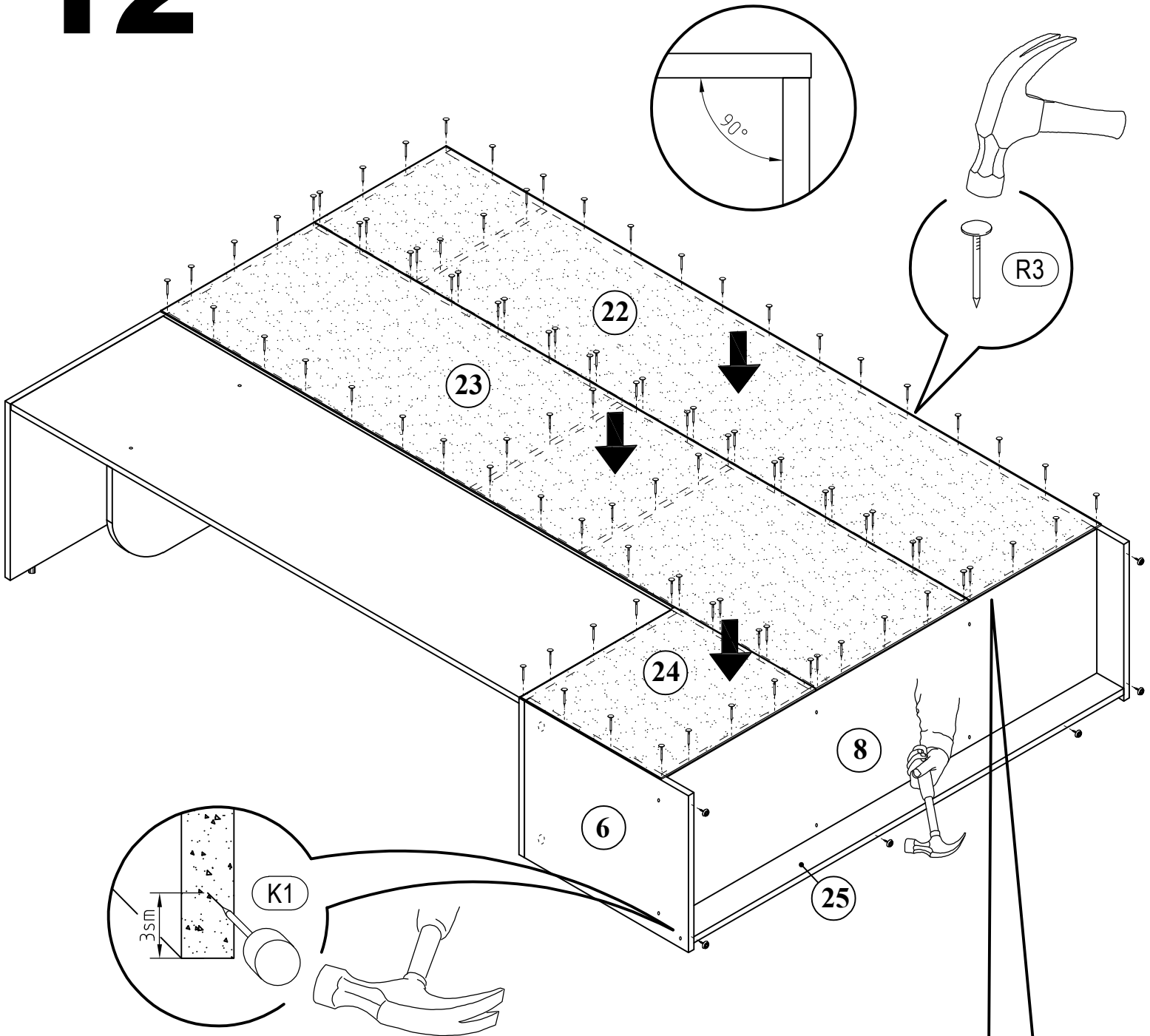
		
<b>B1</b>	6,3*50mm	x8
		
<b>R4</b>	N°4	x1

# 11

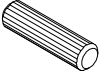
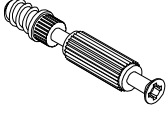
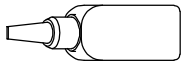


# 12

 K1 x6	 R3 1.4*25mm 40g
--	--

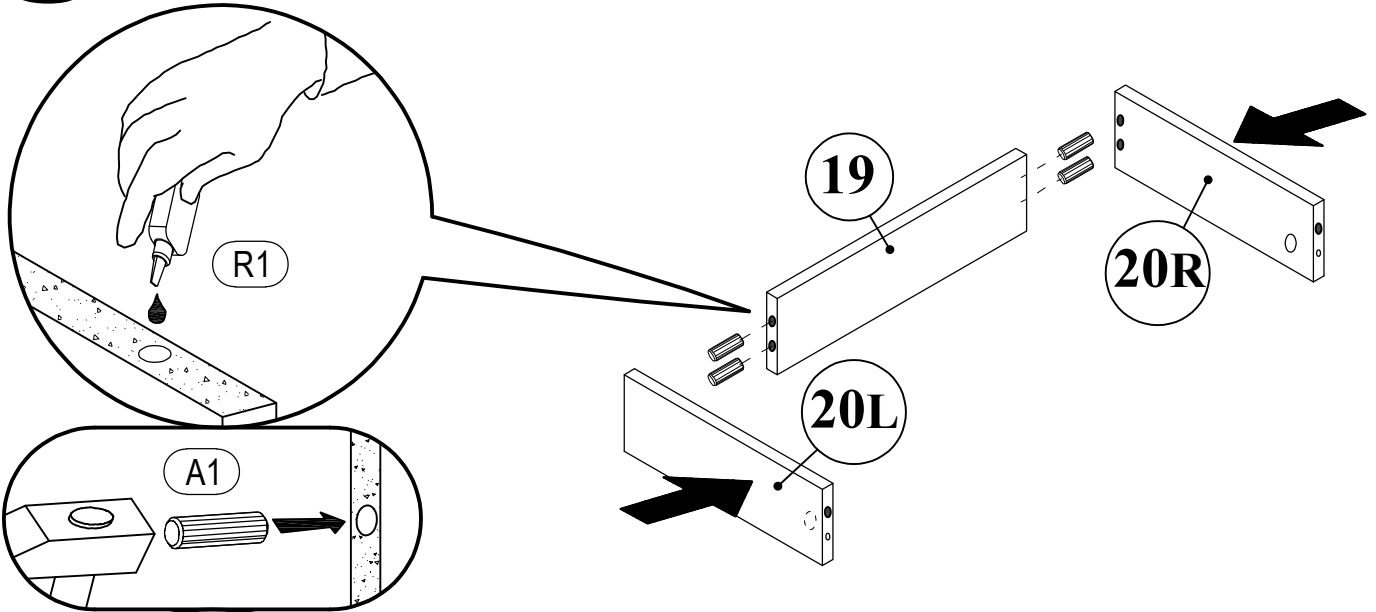




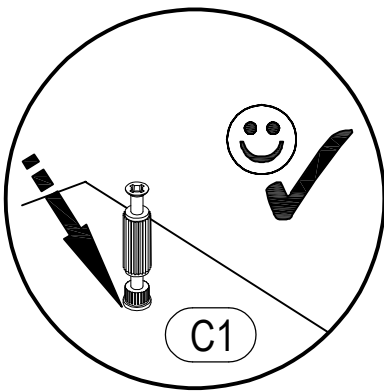
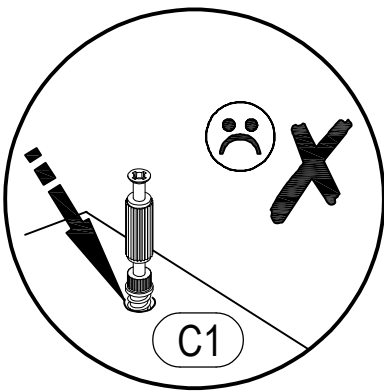
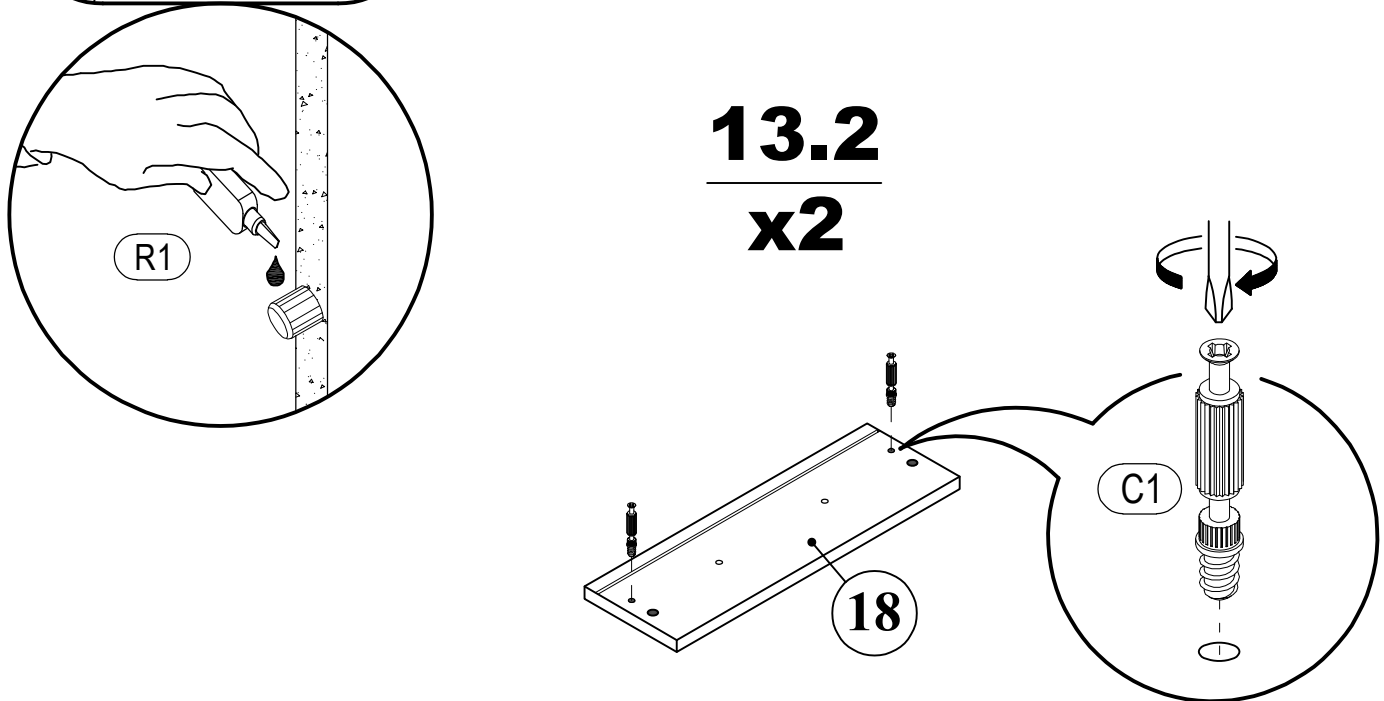
 <b>A1</b> 8*30mm x8	 <b>C1</b> 6*43mm x4	 <b>R1</b> x1
--	--	---

# 13

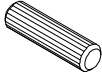

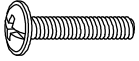


## 13.1 x2



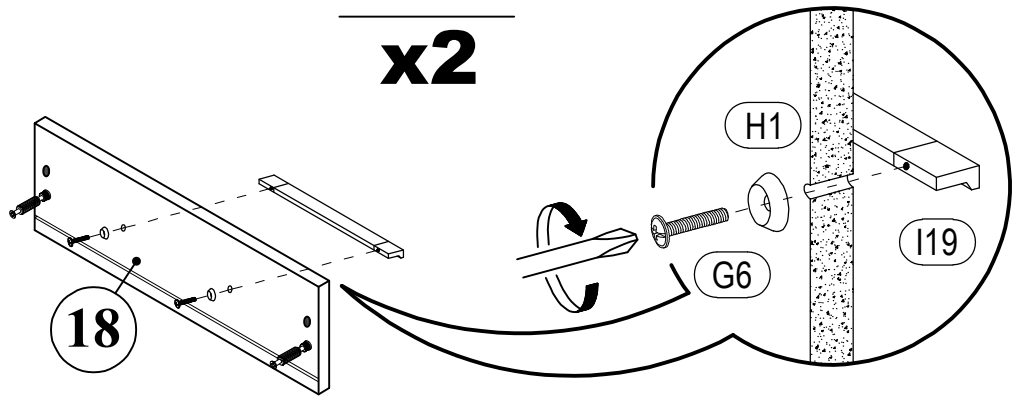
## 13.2 x2



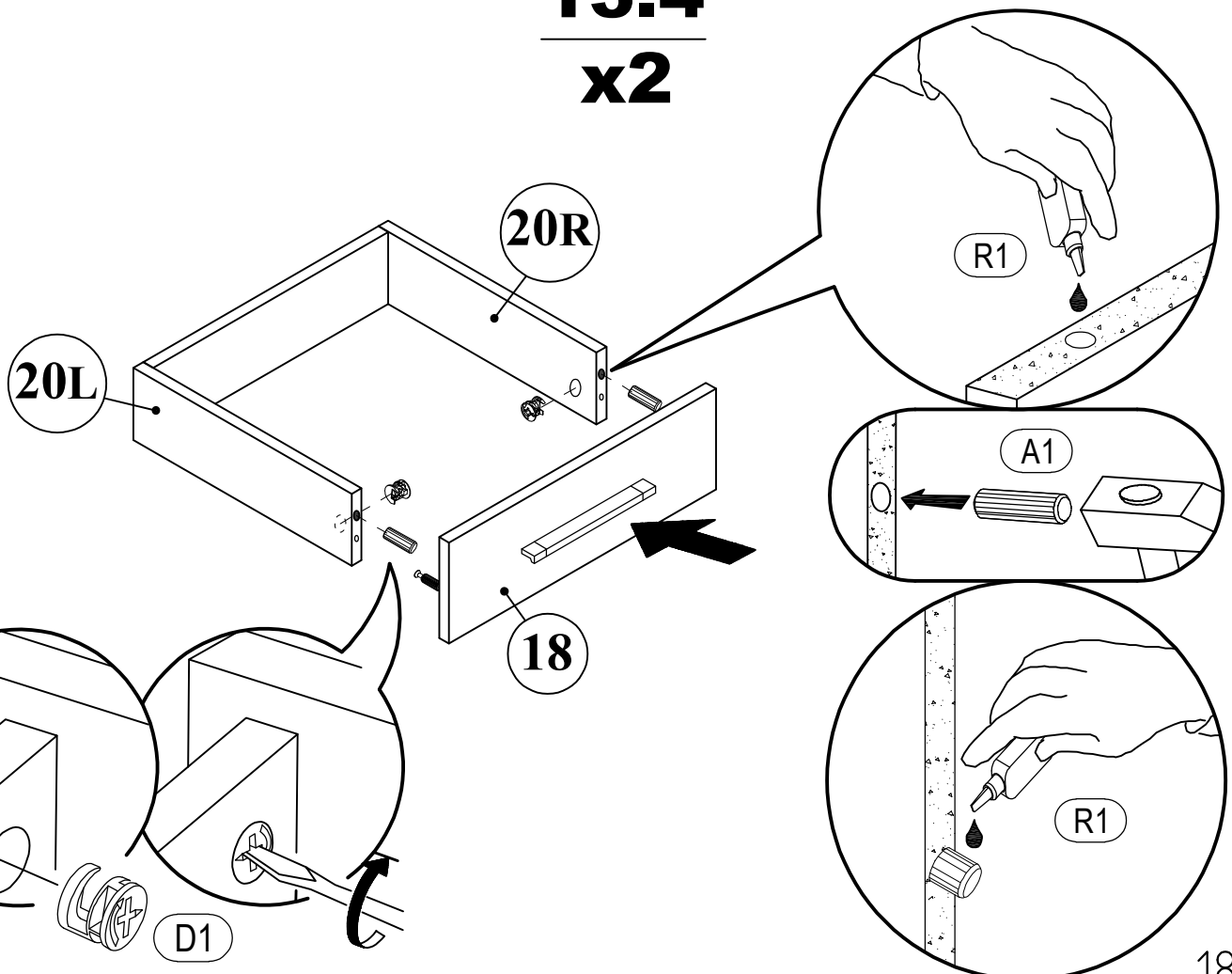
# 13


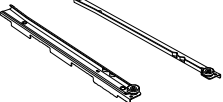

 <b>A1</b> 8*30mm x4	 <b>D1</b> 15/16 x4	 <b>G6</b> M 4*22mm x4
 <b>H1</b> M 4 x4		 <b>I19</b> D-752 x2

## 13.3 x2



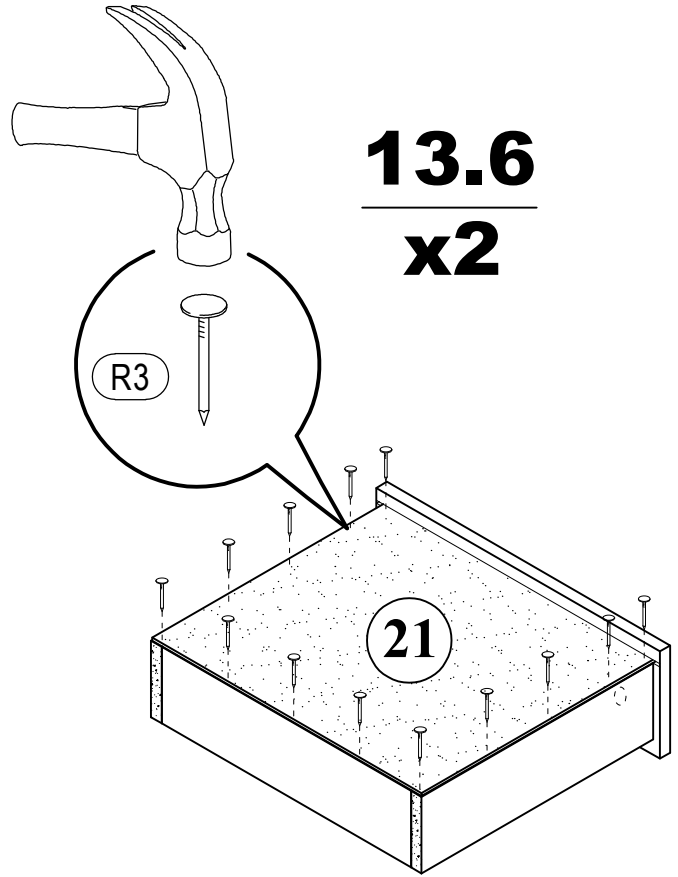
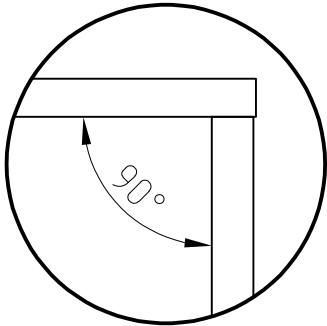
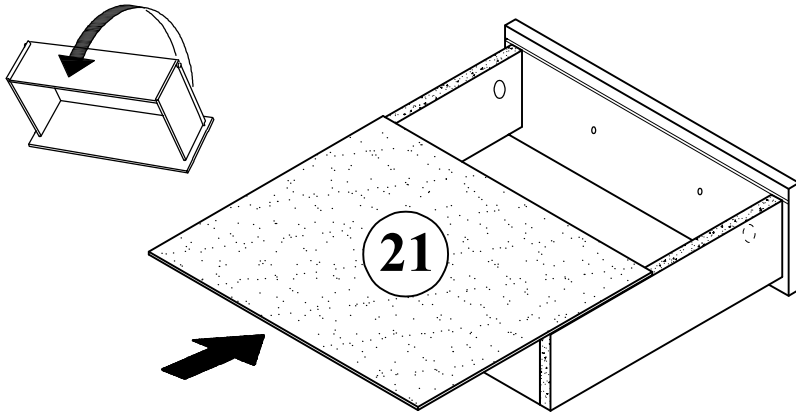
## 13.4 x2



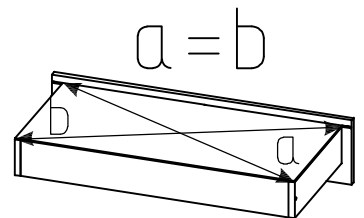
 <b>E4</b> 3*15mm x8	 <b>M1</b> L- 350 mm x2	 <b>R3</b> 1.4*25mm 10g
--	---	---

# 13

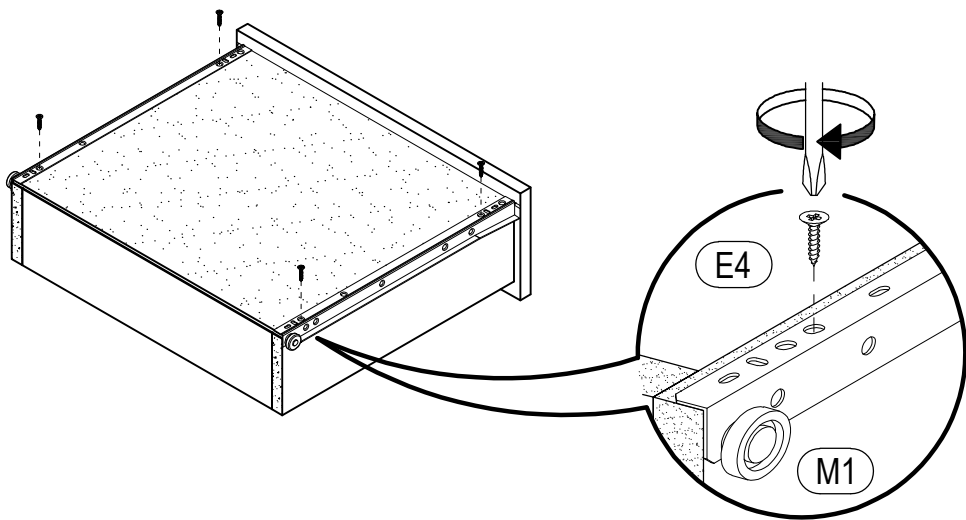
**13.5**  
**x2**

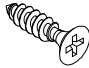
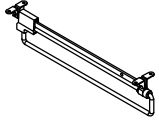
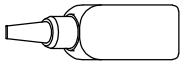
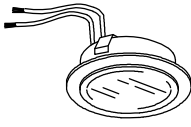
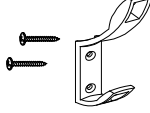


**13.6**  
**x2**

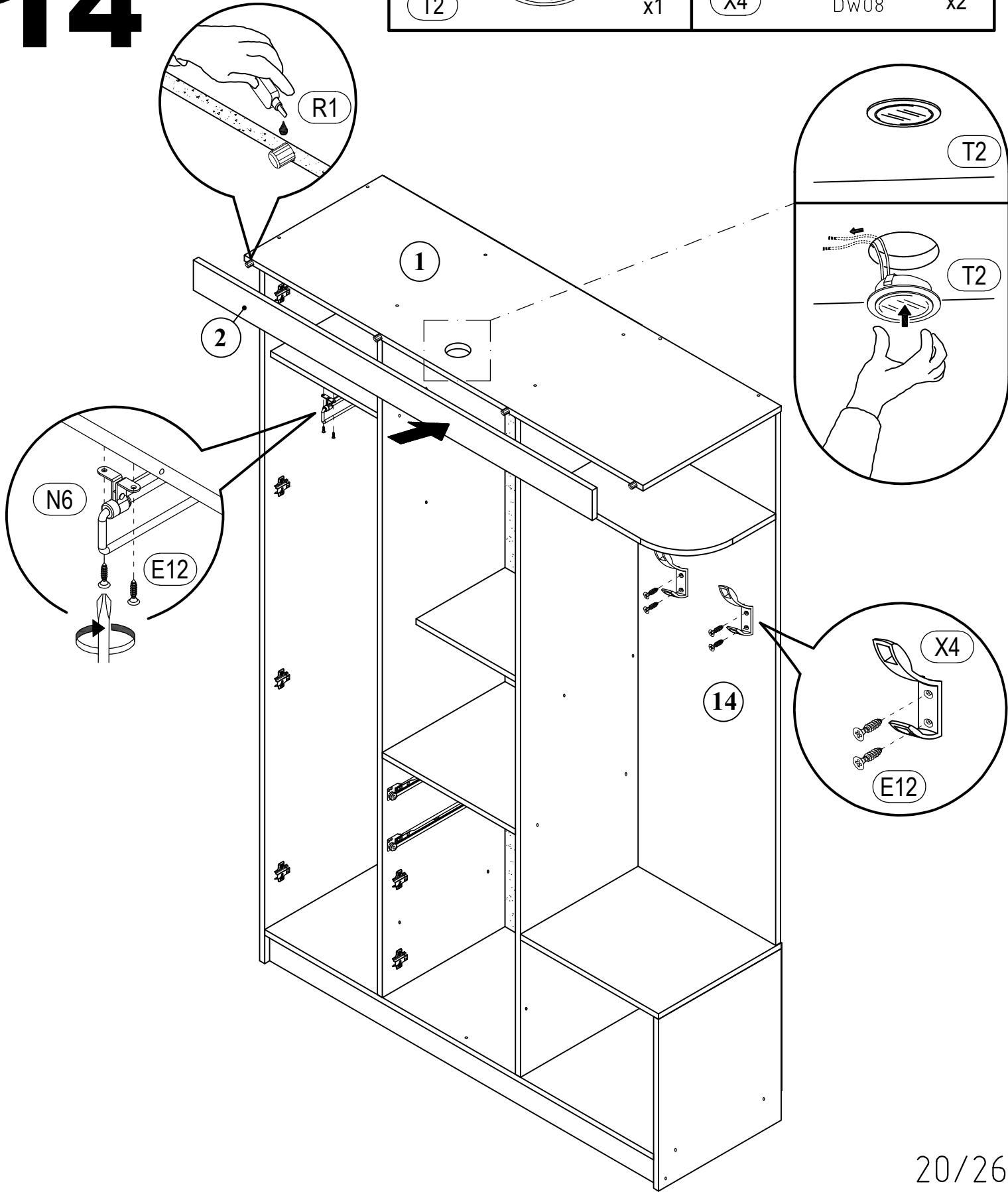


**13.7**  
**x2**


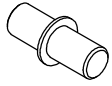



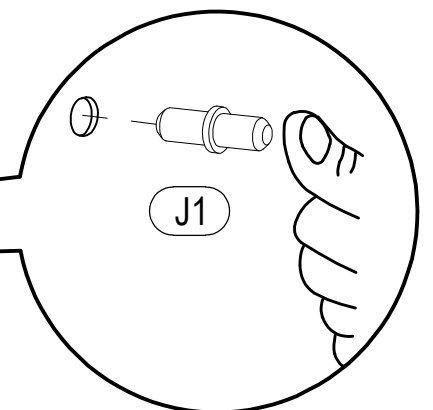
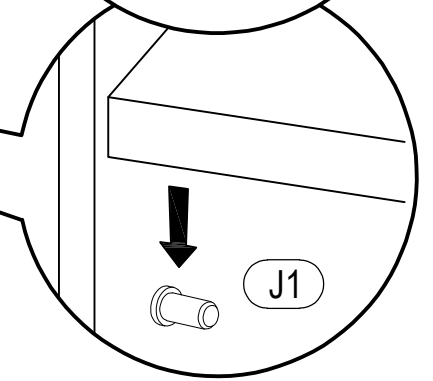
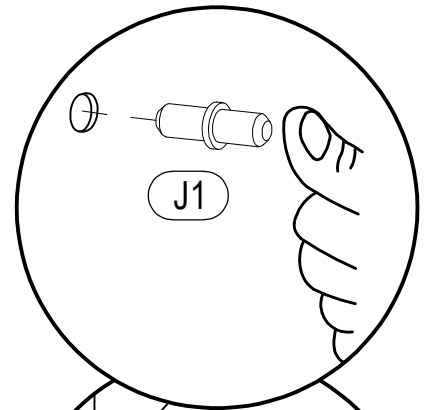
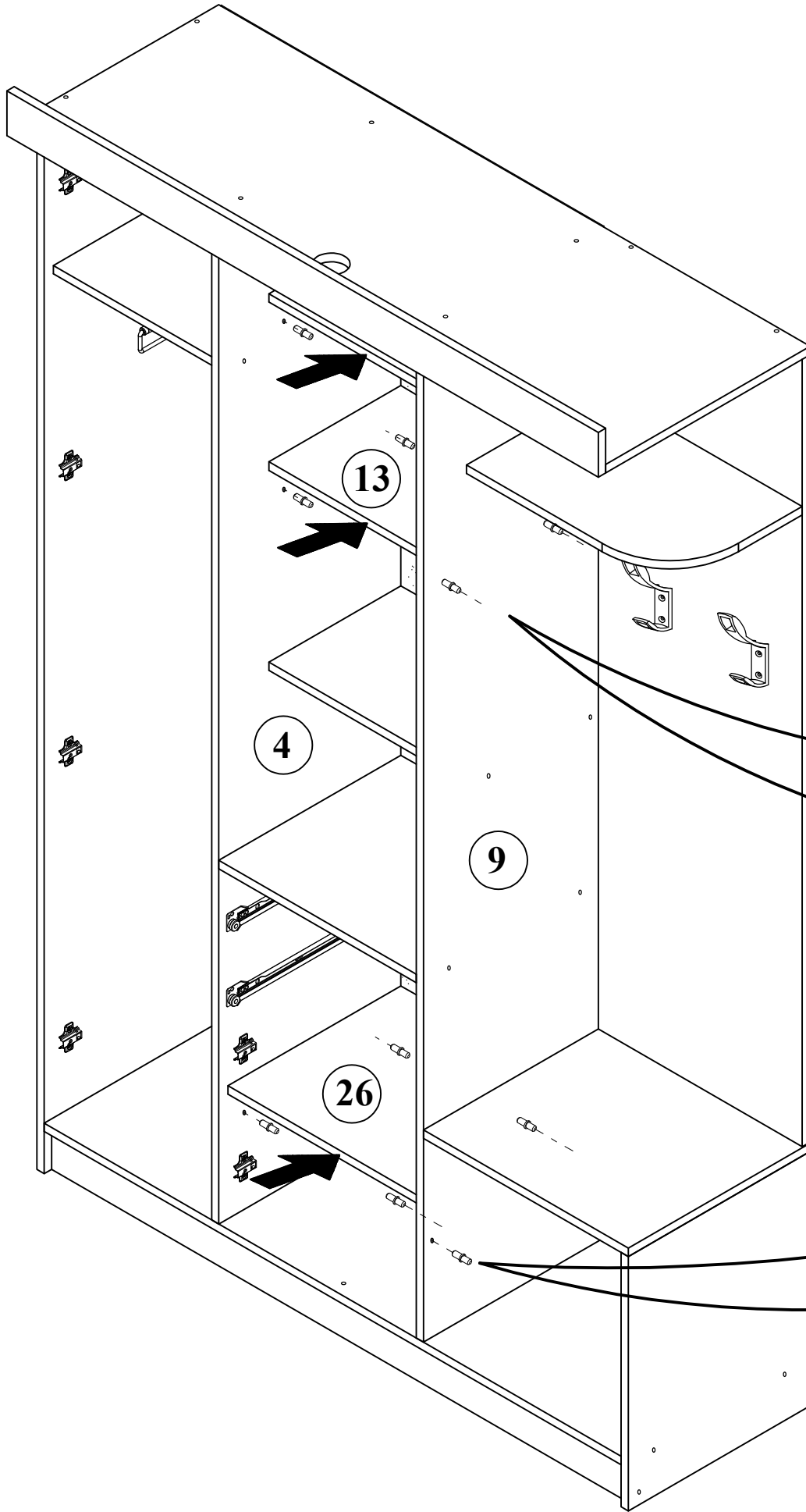
 (E12) 4*16mm x4	 (N6) L-350mm x1	 (R1) x1
 (T2) x1	 (X4) DW08 x2	

# 14

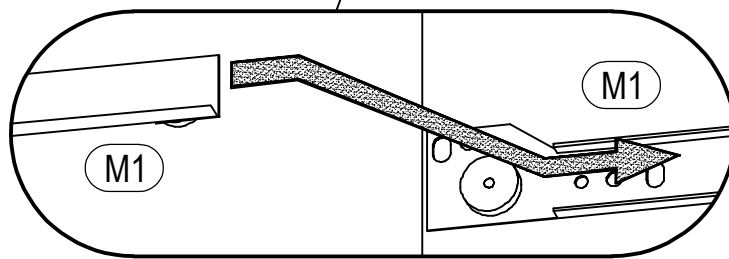
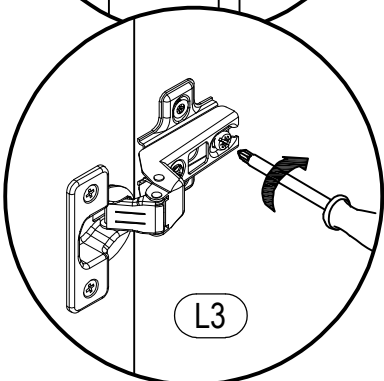
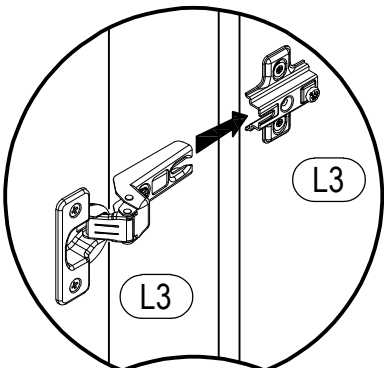
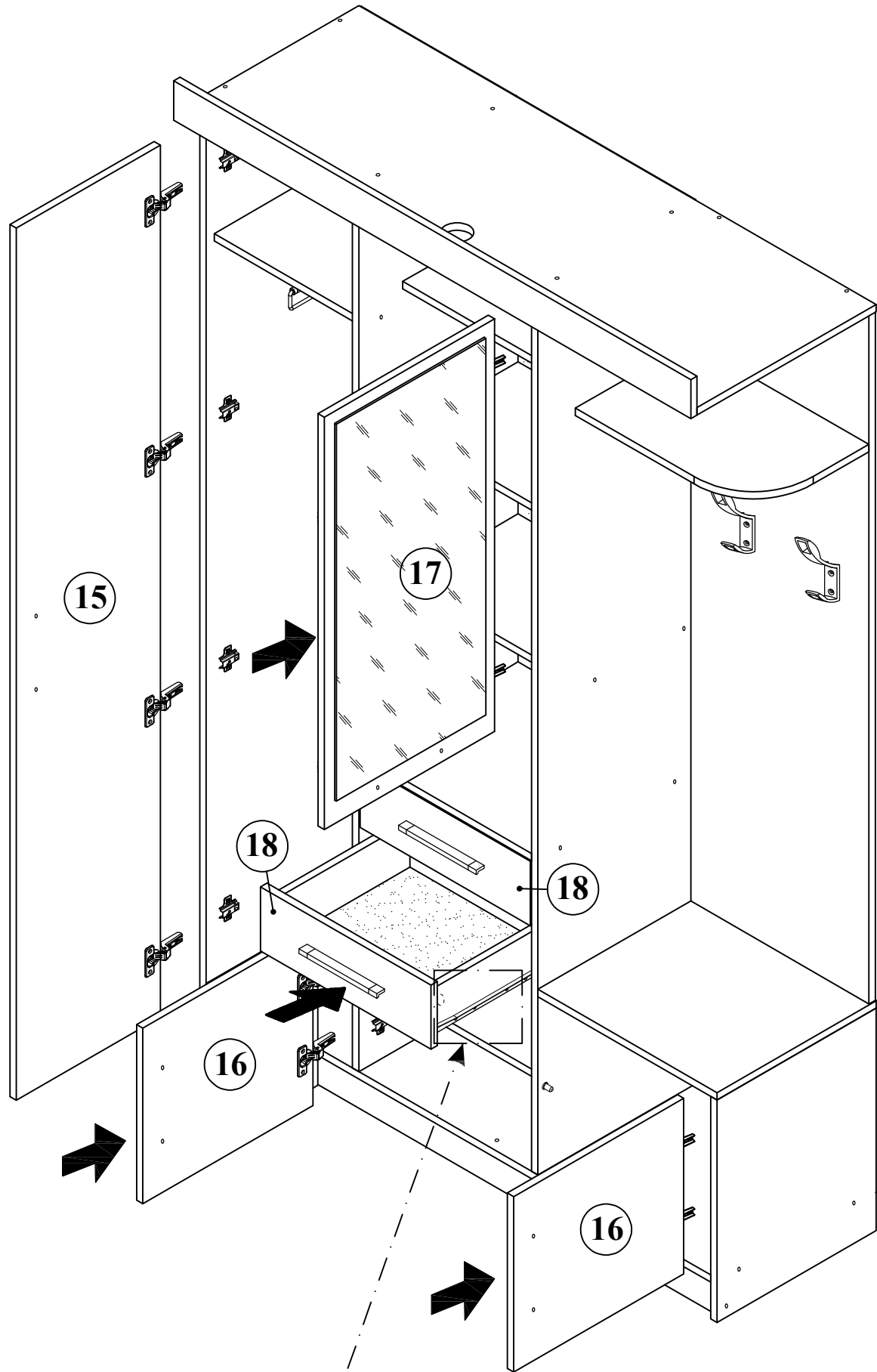




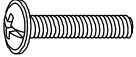
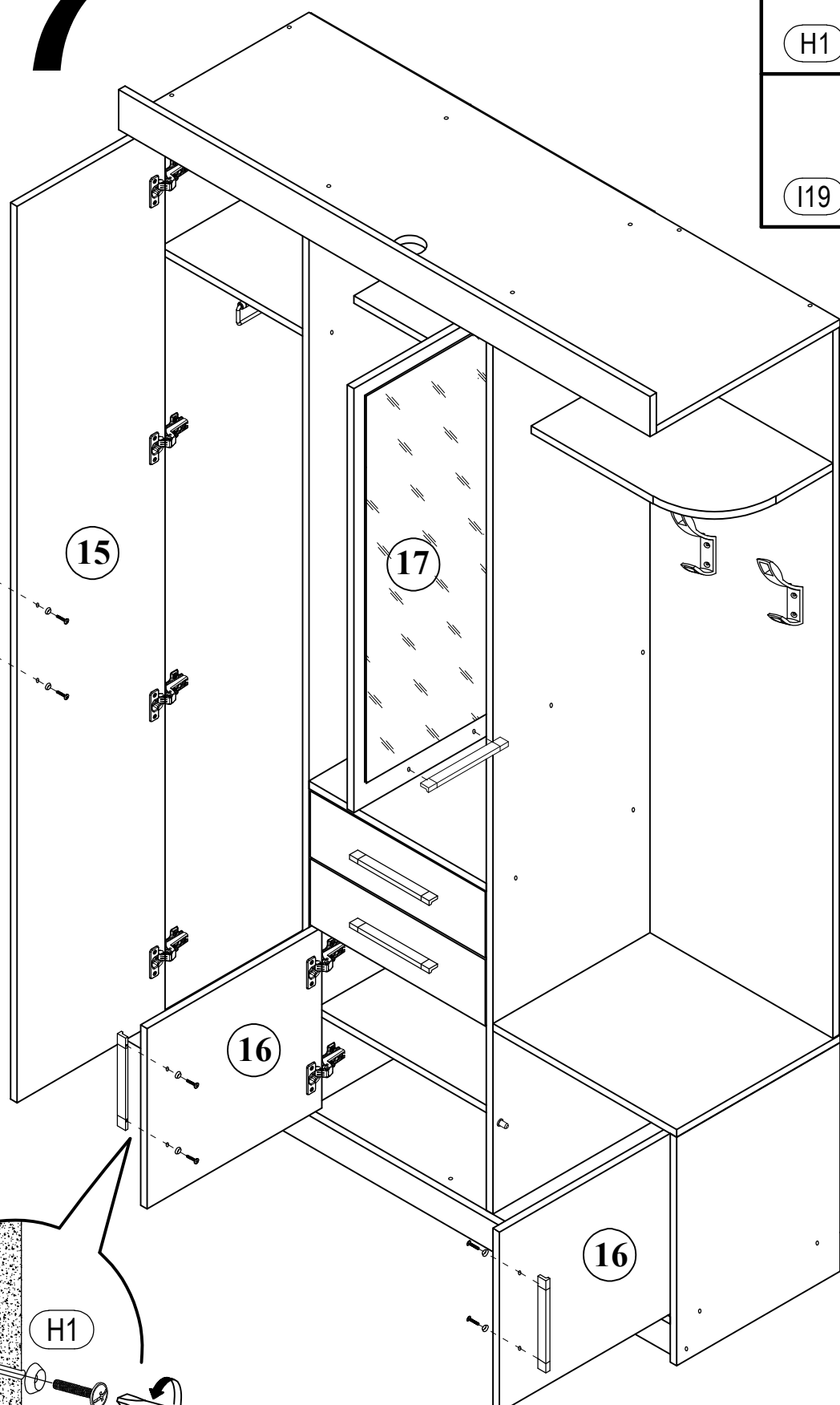


# 15

 <b>F4</b> 6,3*13mm x8	 <b>J1</b> 5*16mm x13
	 <b>L3</b> x4

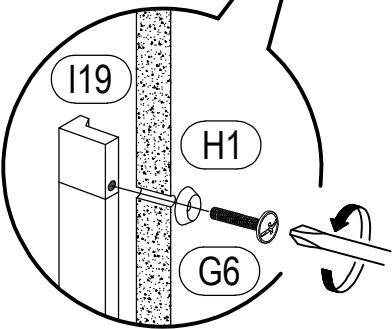
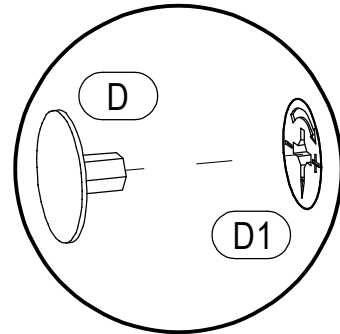
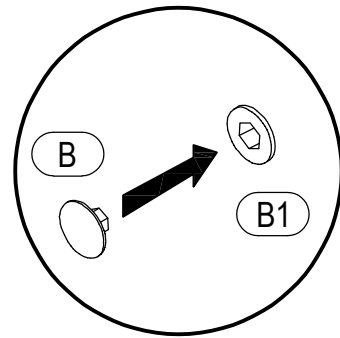


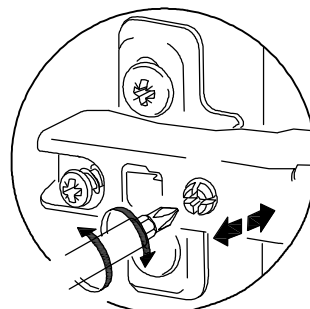
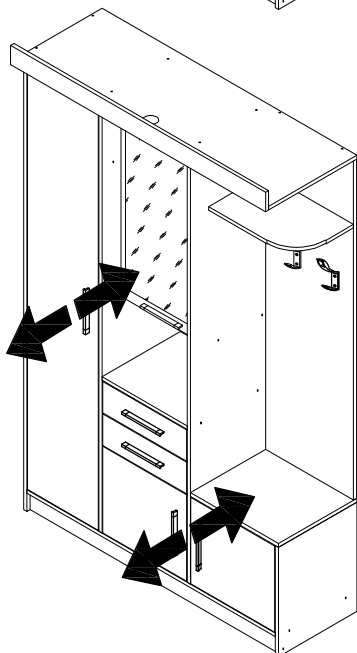
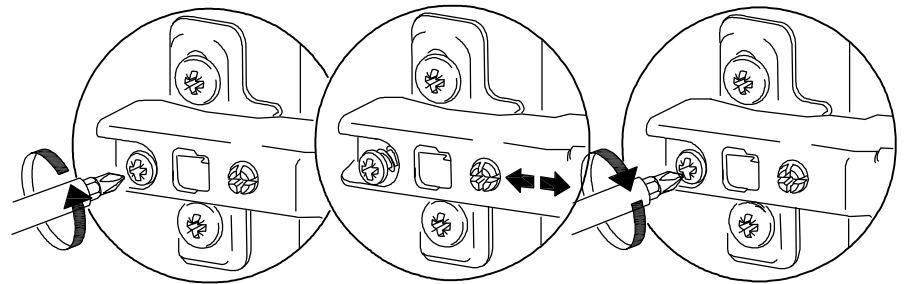
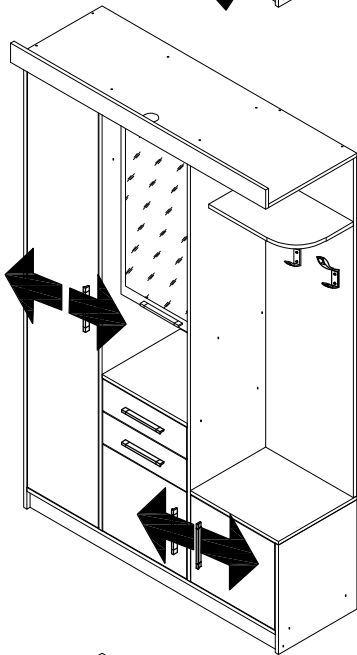
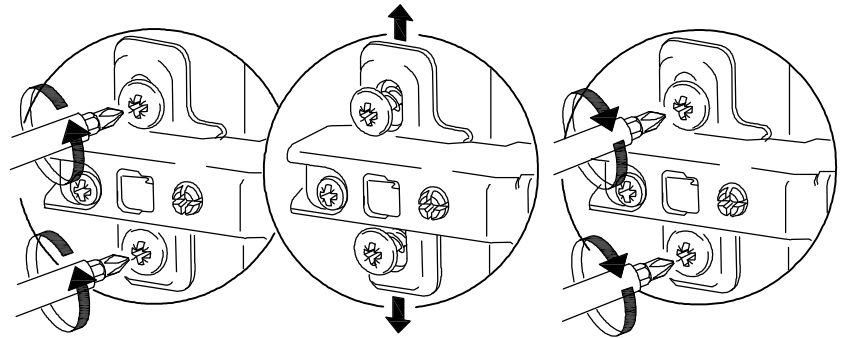
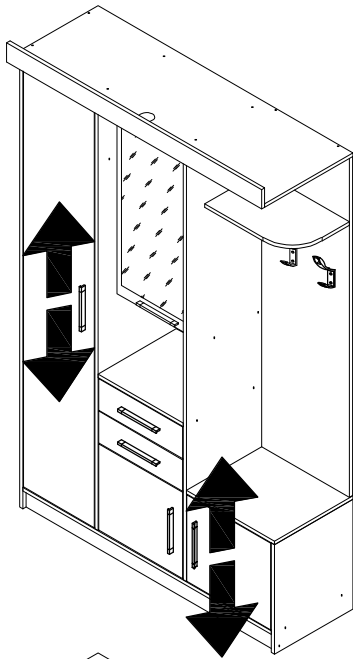
16



 <b>B</b> $\phi 12\text{mm}$ x20	 <b>D</b> $\phi 20\text{mm}$ x6	 <b>G6</b> M 4*22mm    x8	
			 <b>H1</b> M 4    x8
			 <b>I19</b> D-752    x4

# 17







# Silhouette 1

