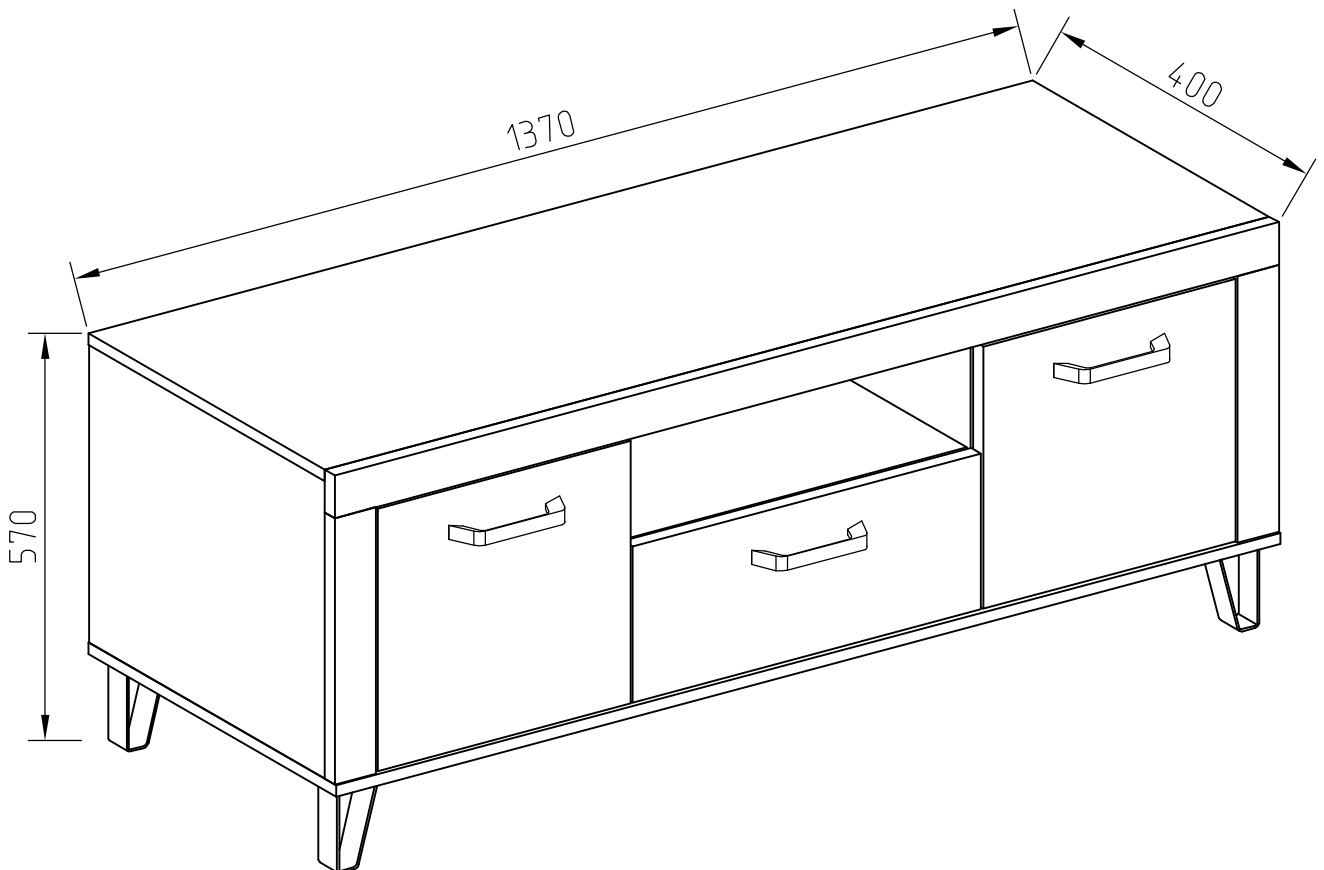




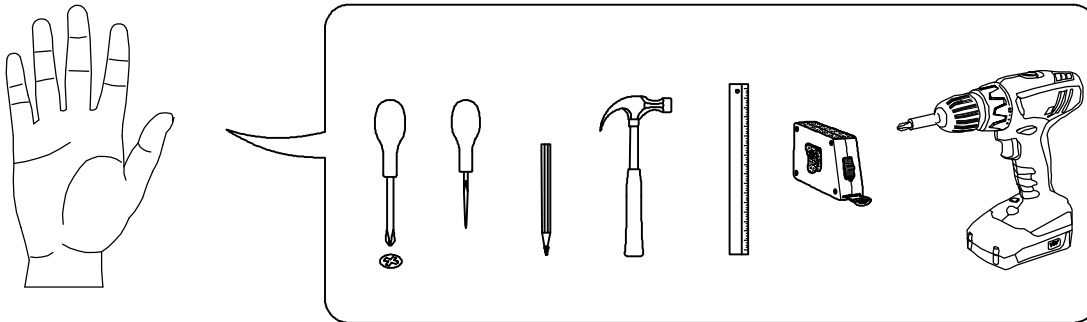
# RIO




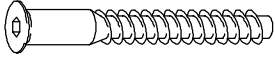
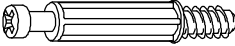
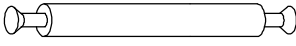
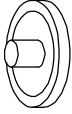





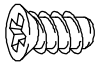

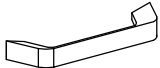
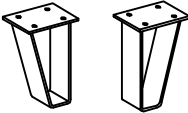
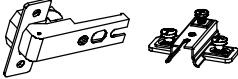
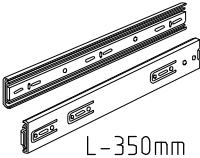
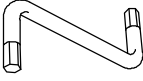

## TV-STAND 1.4




# RIO

## TV-STAND 1.4

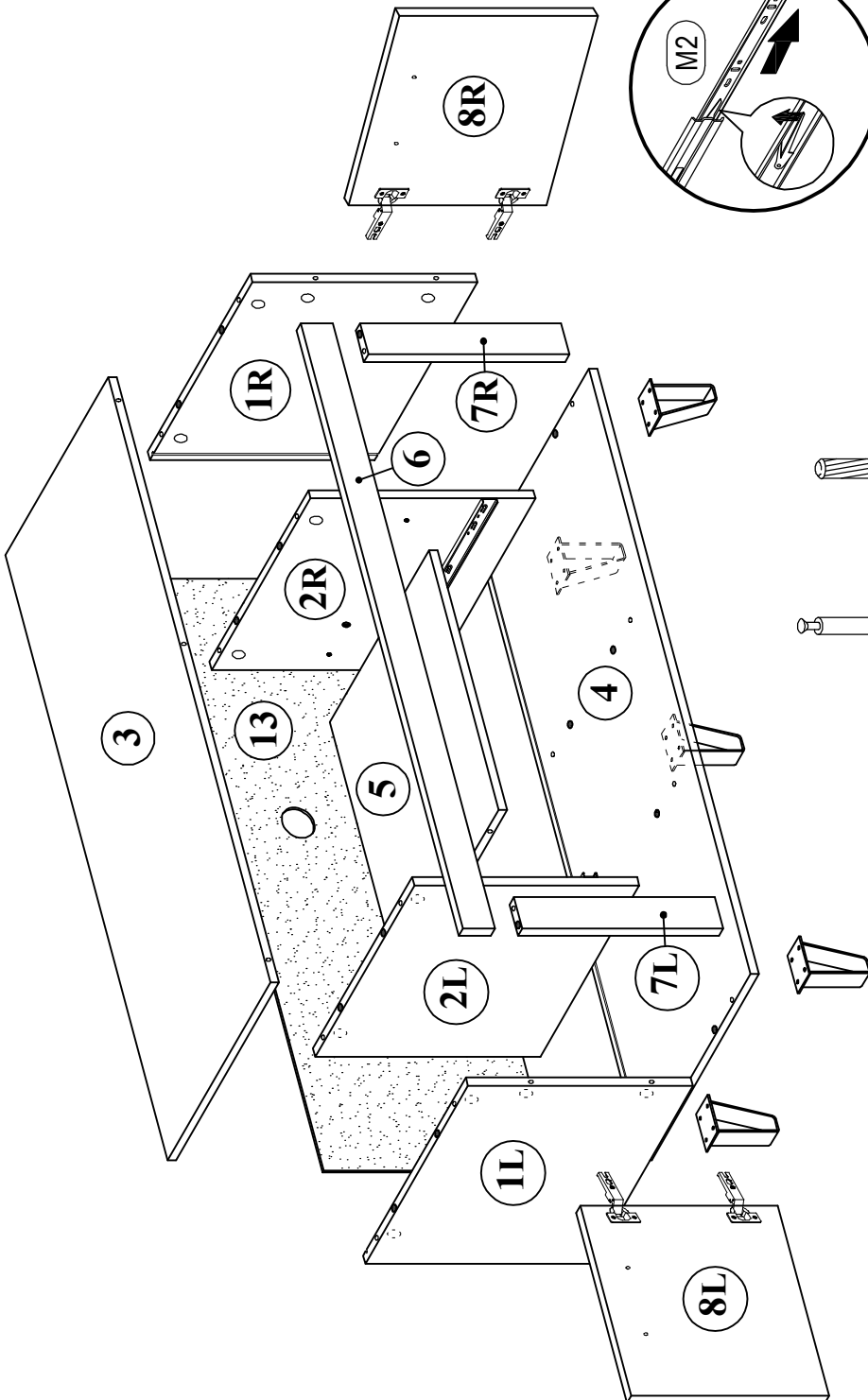
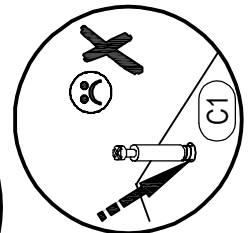
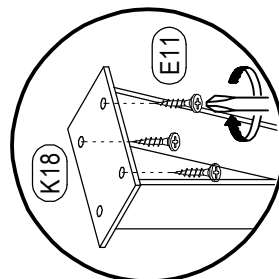
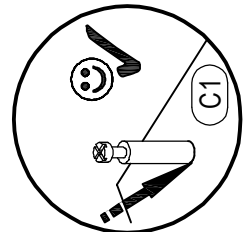
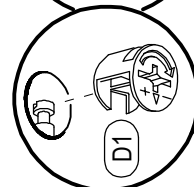
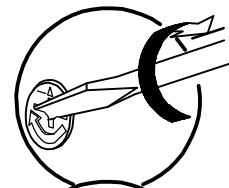
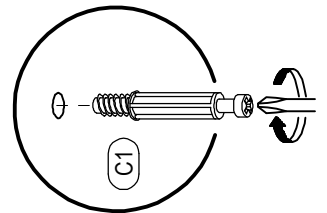
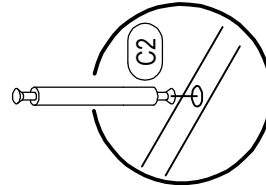
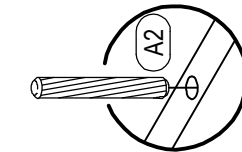
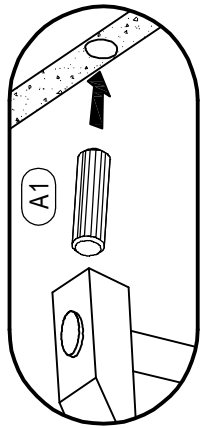
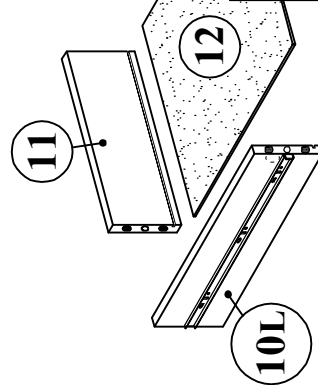
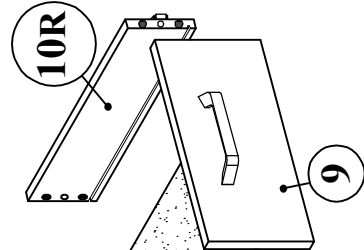
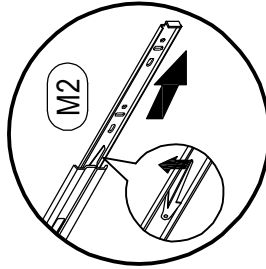
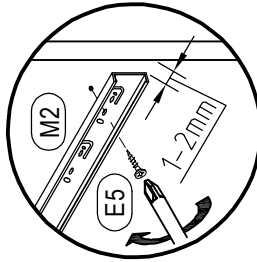
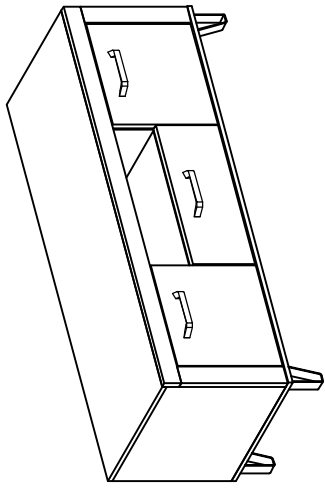


 <b>A1</b> 8*30mm x30	 <b>A1</b> 8*50mm x2	 <b>B</b> x12
 <b>B1</b> 6,3*50mm x12	 <b>C1</b> 5*30mm x21	 <b>C2</b> 8*56mm x2
 <b>D</b> x25	 <b>D1</b> 16mm x25	 <b>E5</b> 3,5*16 x8
 <b>E11</b> 4*16mm x28	 <b>E13</b> 4*35mm x6	 <b>Ea2</b> 4,2*16mm x4
 <b>F2</b> 6,3*13mm x8	 <b>H2</b> x12	 <b>I23</b> x3
 <b>K18</b> H-120mm x5	 <b>L4</b> 180° x4	 <b>M2</b> L-350mm x1
 <b>R4</b> N°4 x1	 <b>U3</b> x6	

No	a*b	x	N°→...
1L	418x382	x1	1/1
1R	418x382	x1	1/1
2L	418x368	x1	1/1
2R	418x368	x1	1/1
3	1370x382	x1	1/1
4	1370x400	x1	1/1
5	504x368	x1	1/1
6	1370x60	x1	1/1
7L	60x373	x1	1/1
7R	60x373	x1	1/1
8L	368x366	x1	1/1
8R	368x366	x1	1/1
9	506x219	x1	1/1
10L	350x120	x1	1/1
10R	350x120	x1	1/1
11	446x120	x1	1/1
12	343x455	x1	1/1
13	1345x427	x1	1/1
		x1	1/1

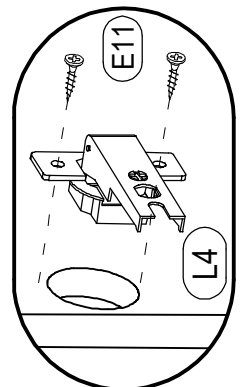
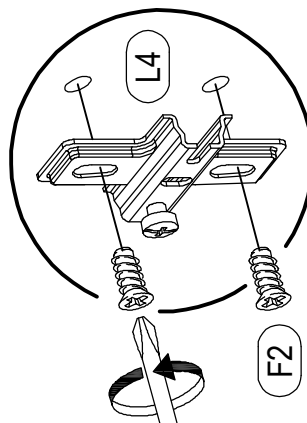
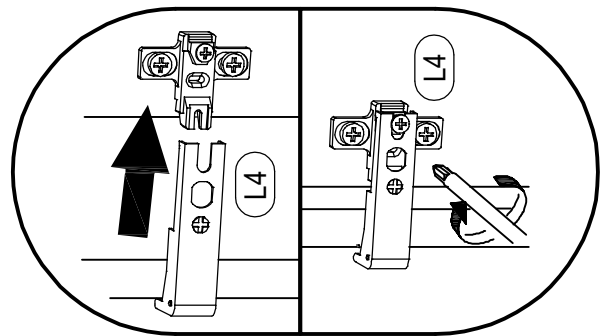
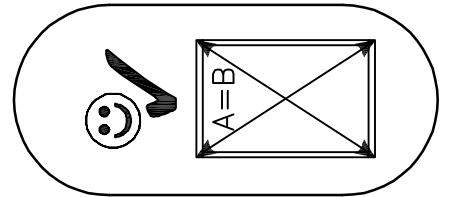
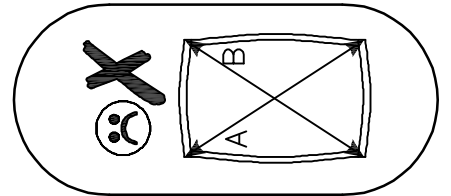
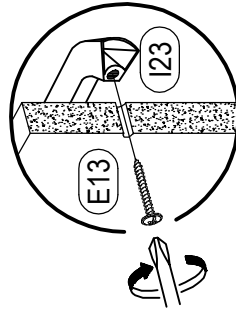
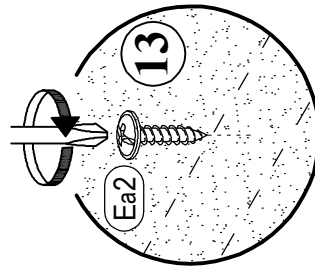
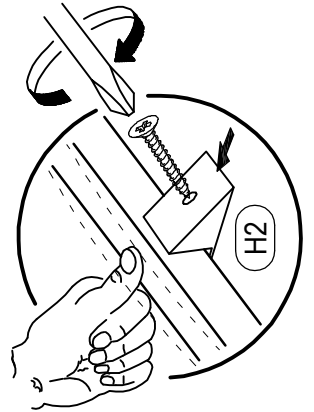
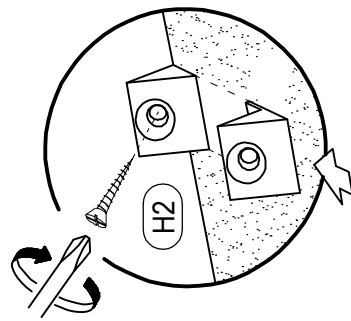
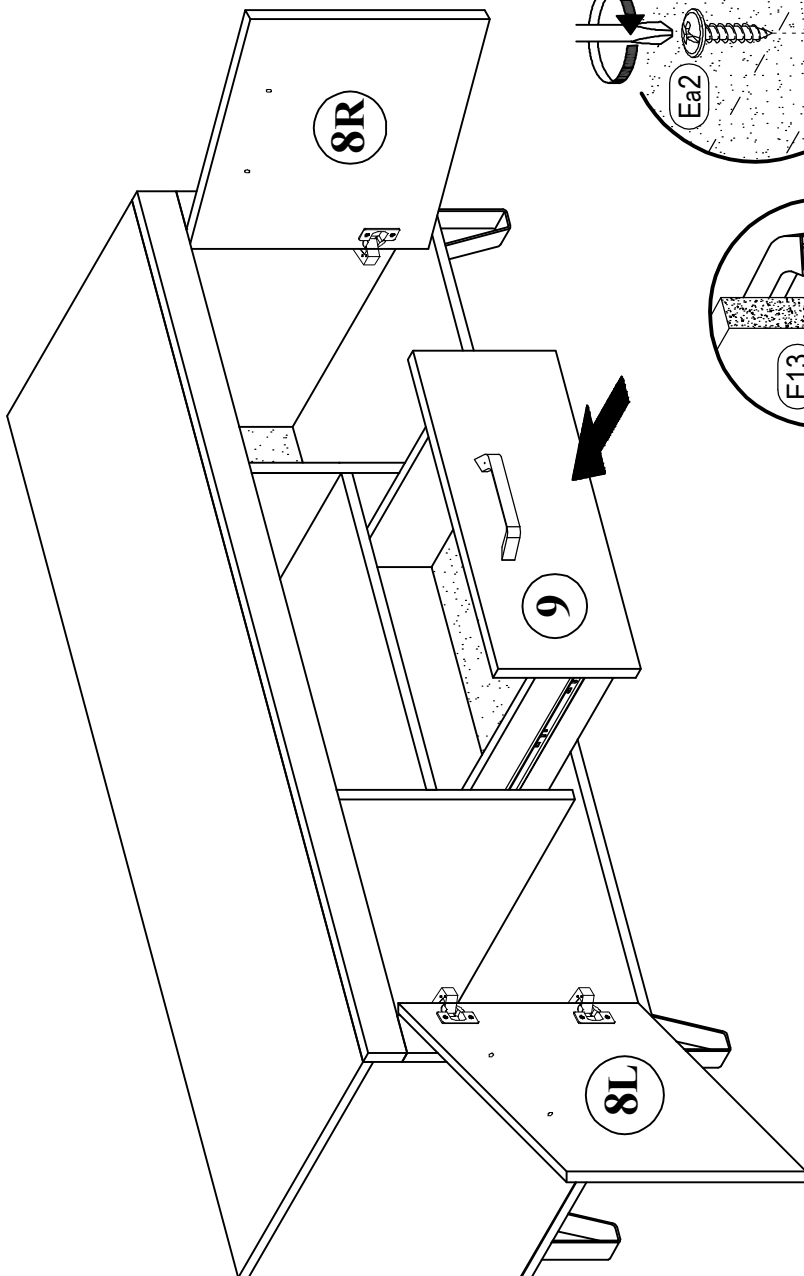
# RIO

## TV-STAND 1.4



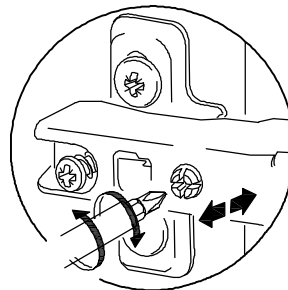
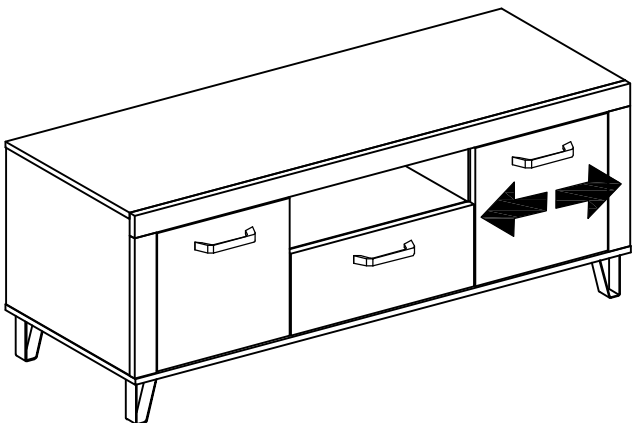
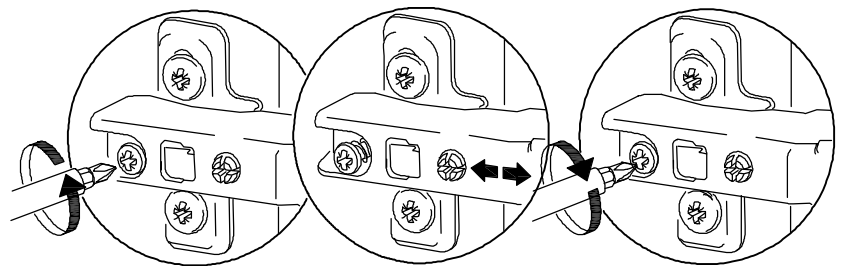
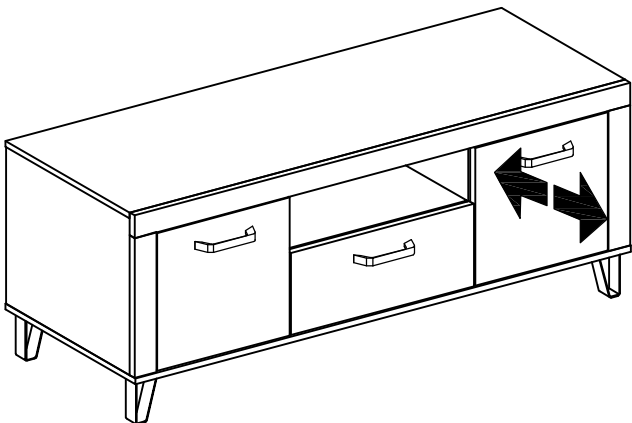
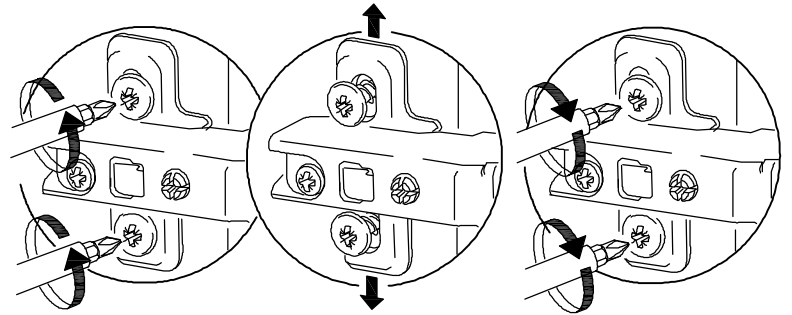
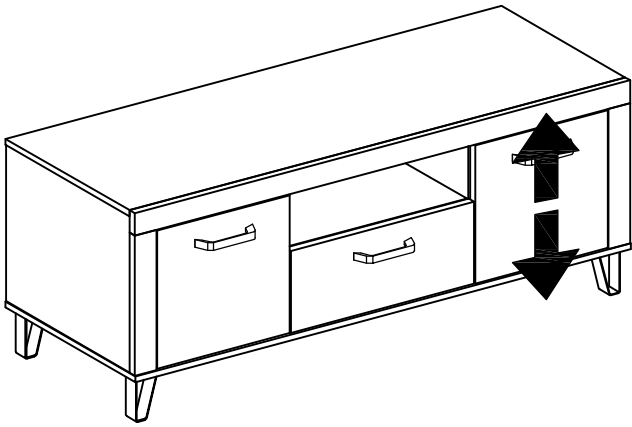
# RIO

## TV-STAND 1.4



# RIO

## TV-STAND 1.4



**RIO**  
**TV-STAND 1.4**

