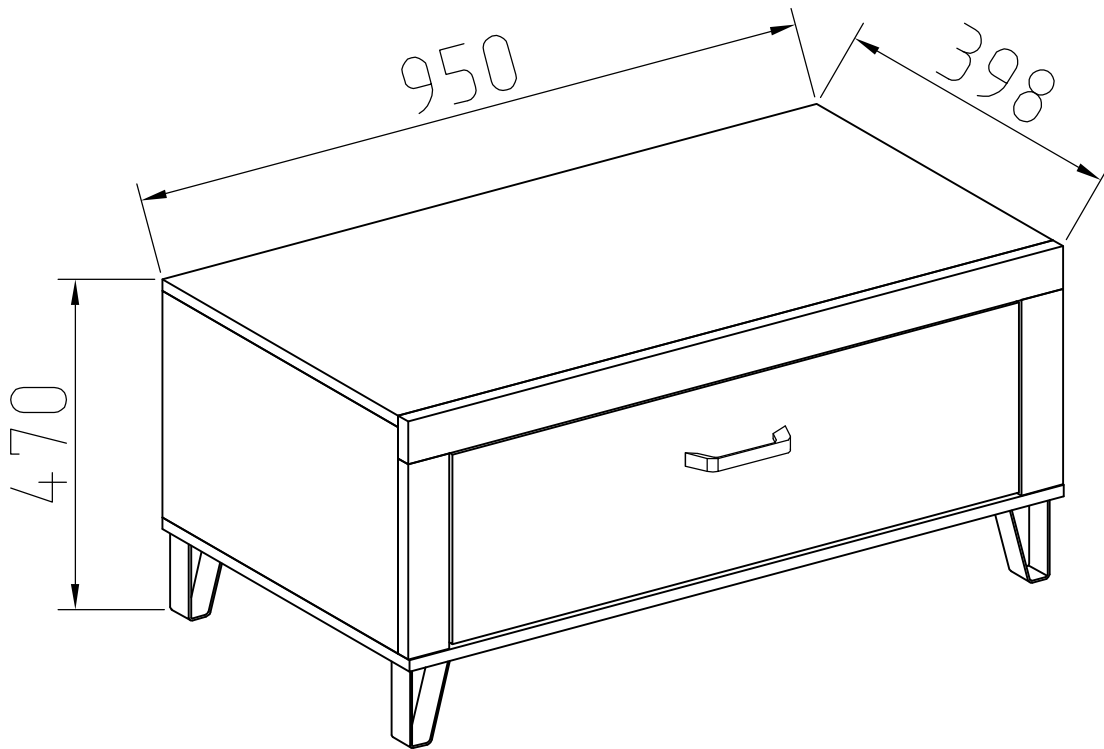
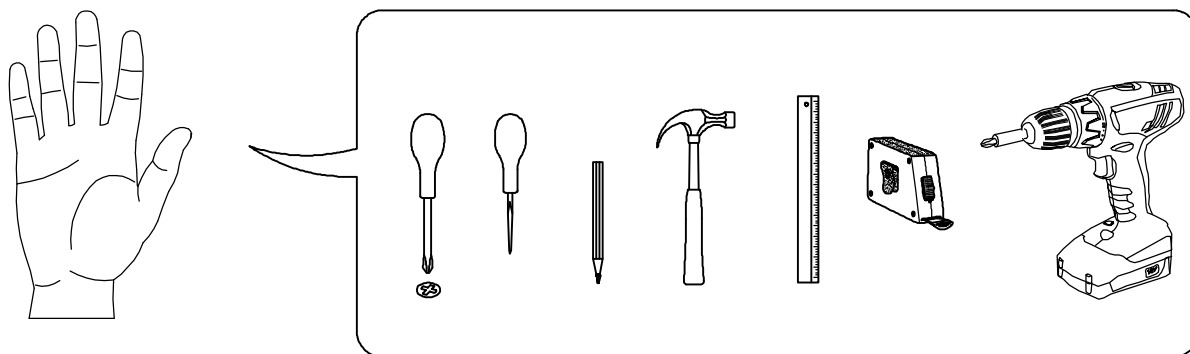


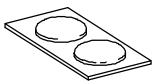
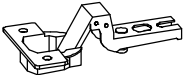
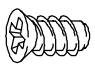
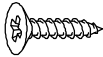
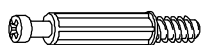
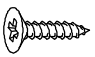

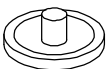
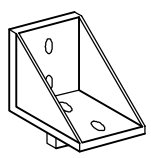




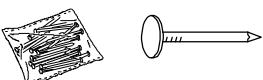
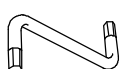
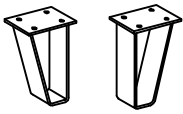
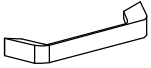

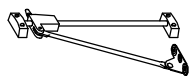



RIO

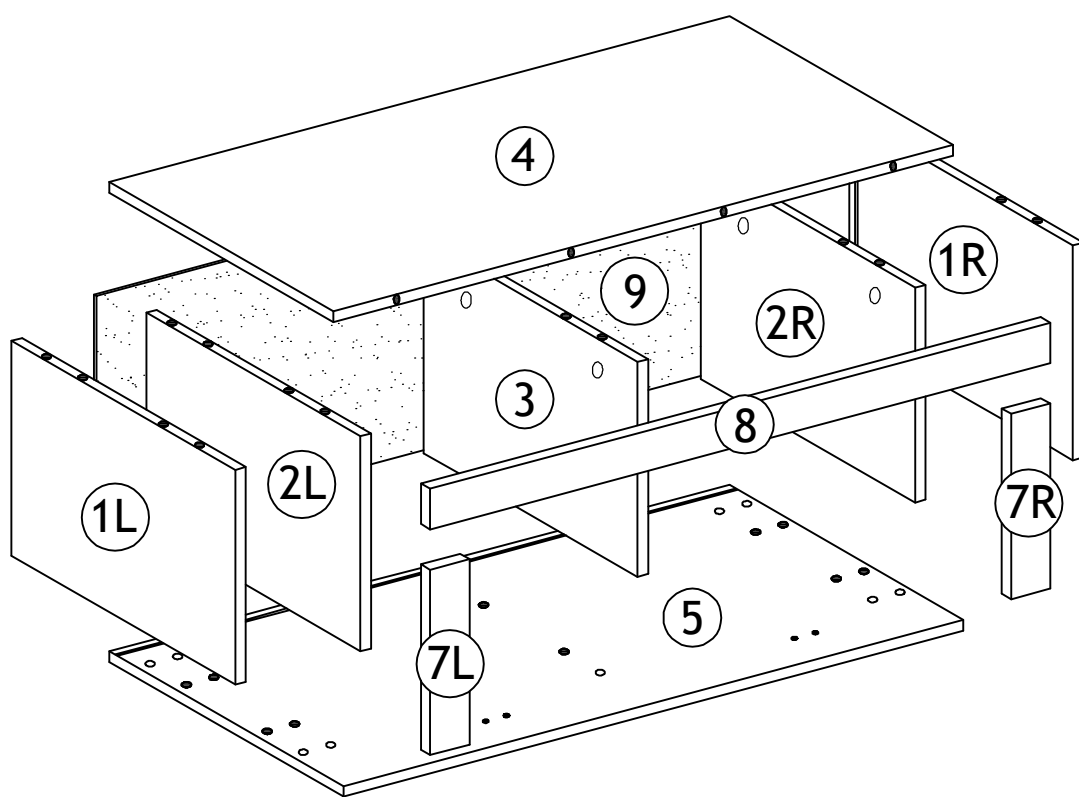
CABINET 1D

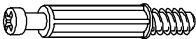


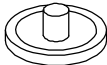


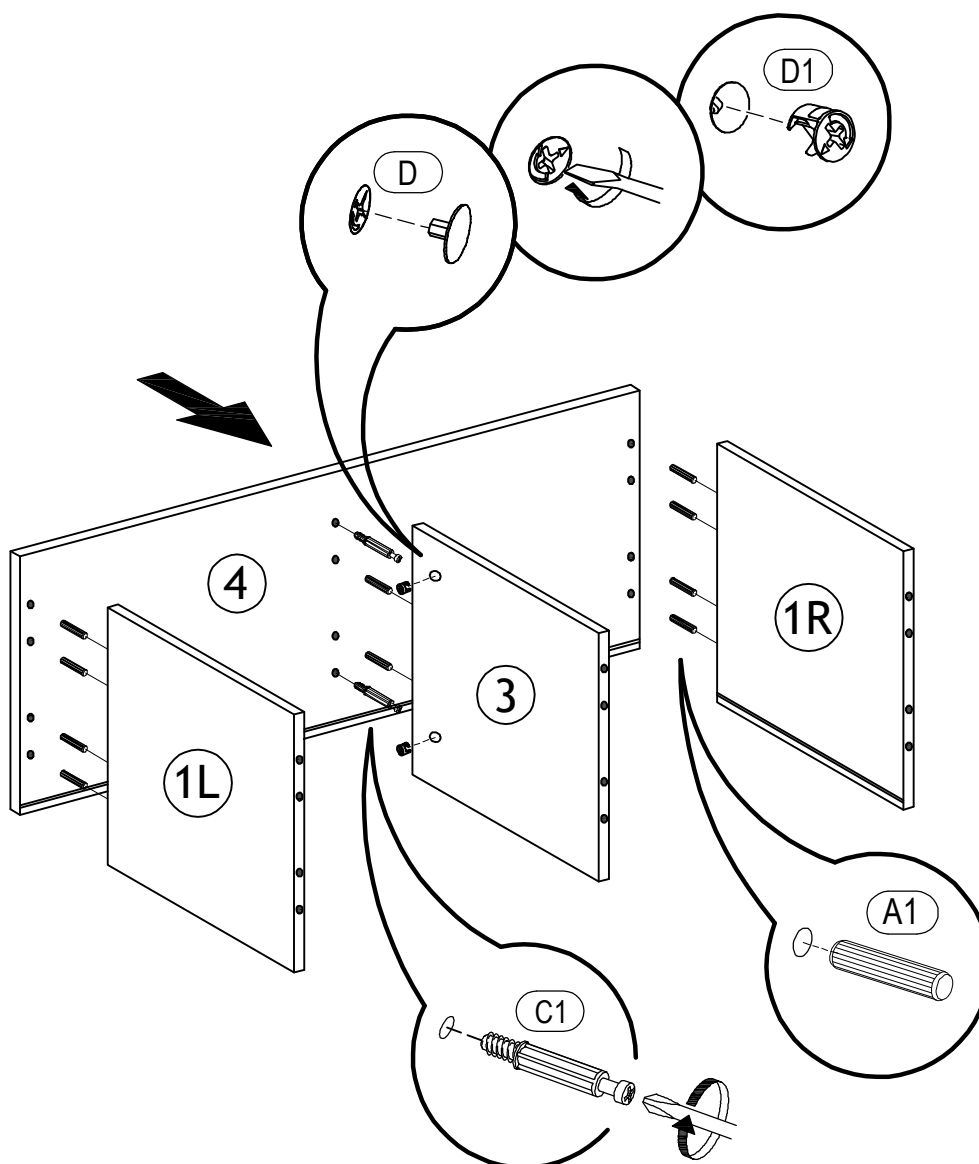


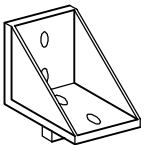
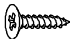
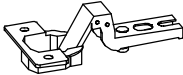
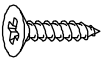
 U6 x2	 L3 x2	 F3 6,3*13mm x4
 E11 4*16mm x52	 C1 6*43mm x6	 E5 3,5*16 x3
 D1 15/16 x6	 D ϕ 20mm x6	 S13 x8
 A1 8*30mm x24	 B1 6,3*50mm x10	 B ϕ 12mm x10
 H2 x6	 R3 1.4*25mm 10g	 R4 N°4 x1
 K18 H-120mm x4	 I23 x1	 E13 4*35mm x2
 N4 L x1	 E4 3*20mm x4	

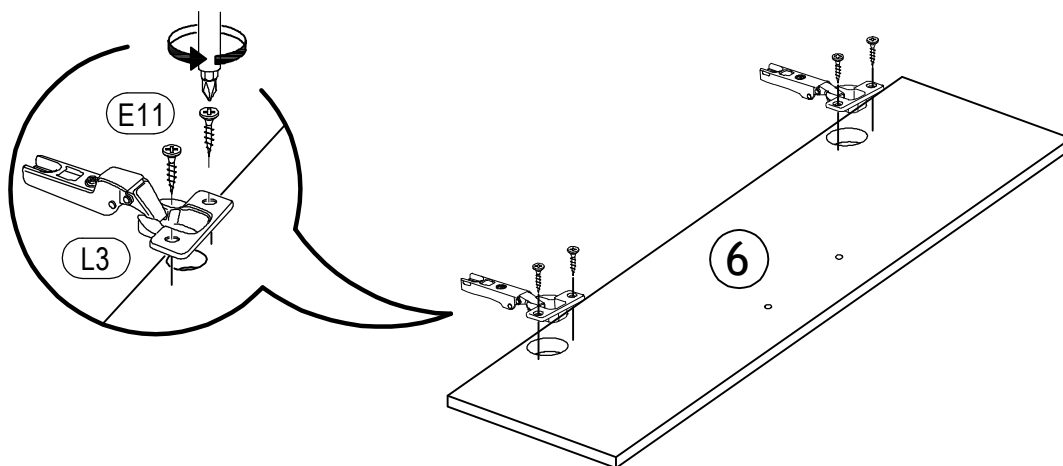
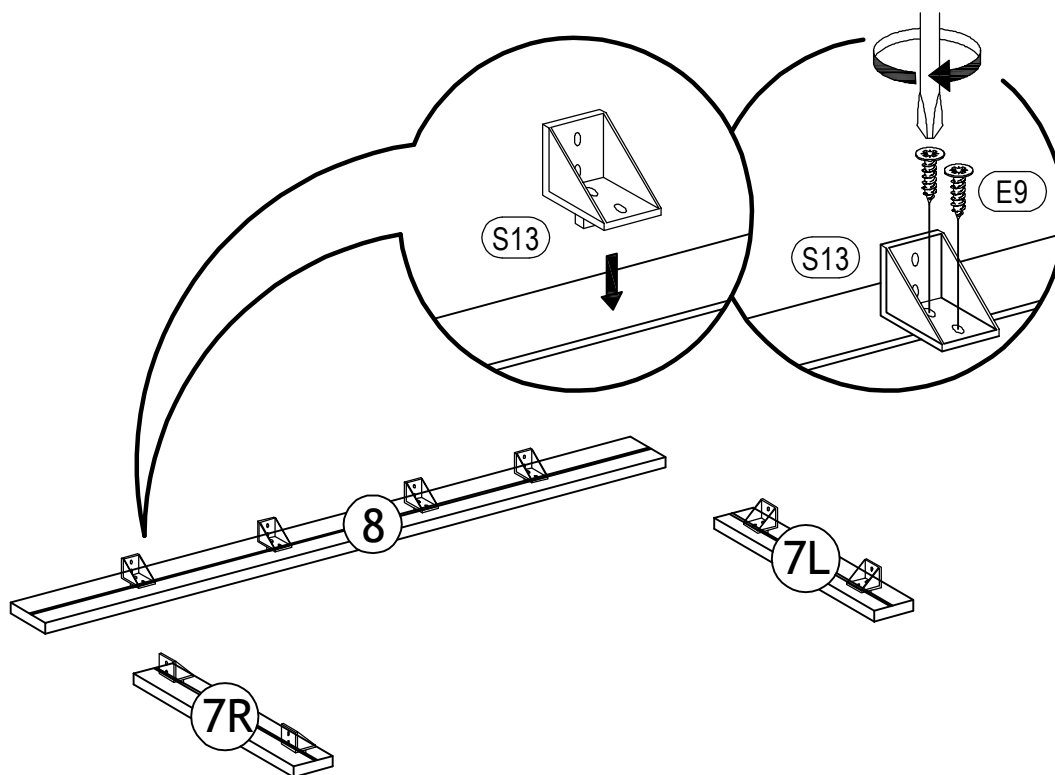
No	a*b	x
1L+R	318x382	2
2L+R	318x368	2
3	318x368	1
4	950x382	1
5	950x400	1
6	814x262	1
7L+R	270x64	2
8	950x64	1
9	925x327	1

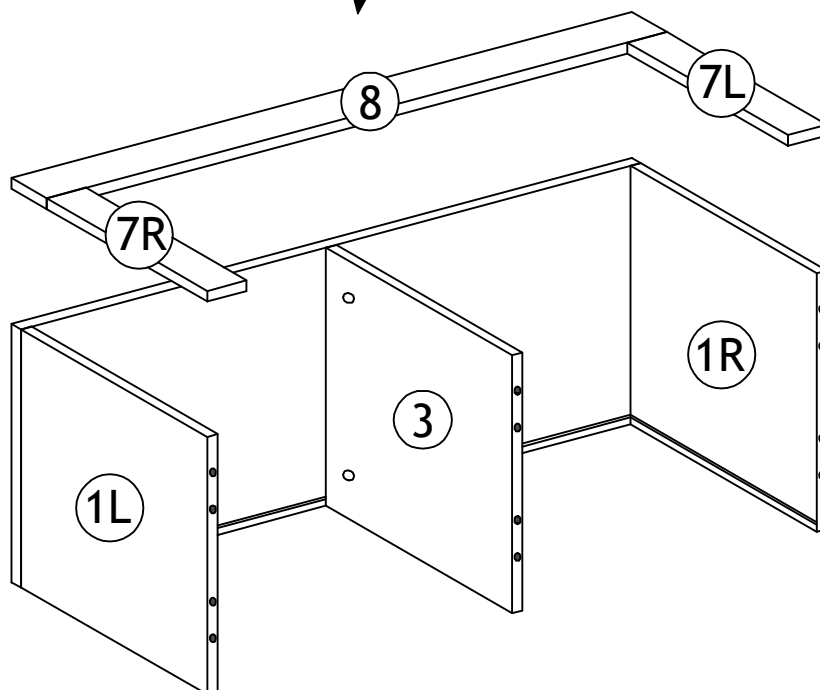
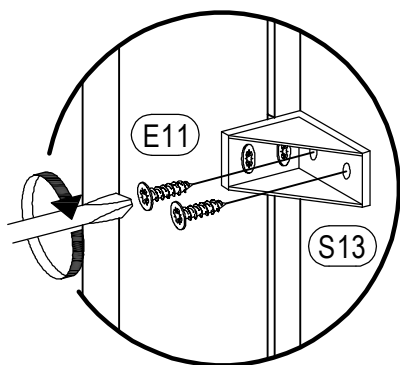
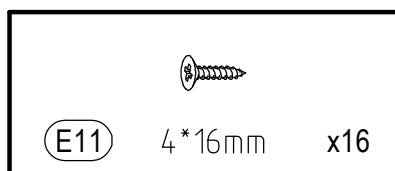


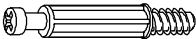


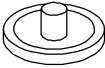
 (C1) 6*43mm x2	 (A1) 8*30mm x10	 (D1) 15/16 x2
 (D) $\phi 20$ mm x2		

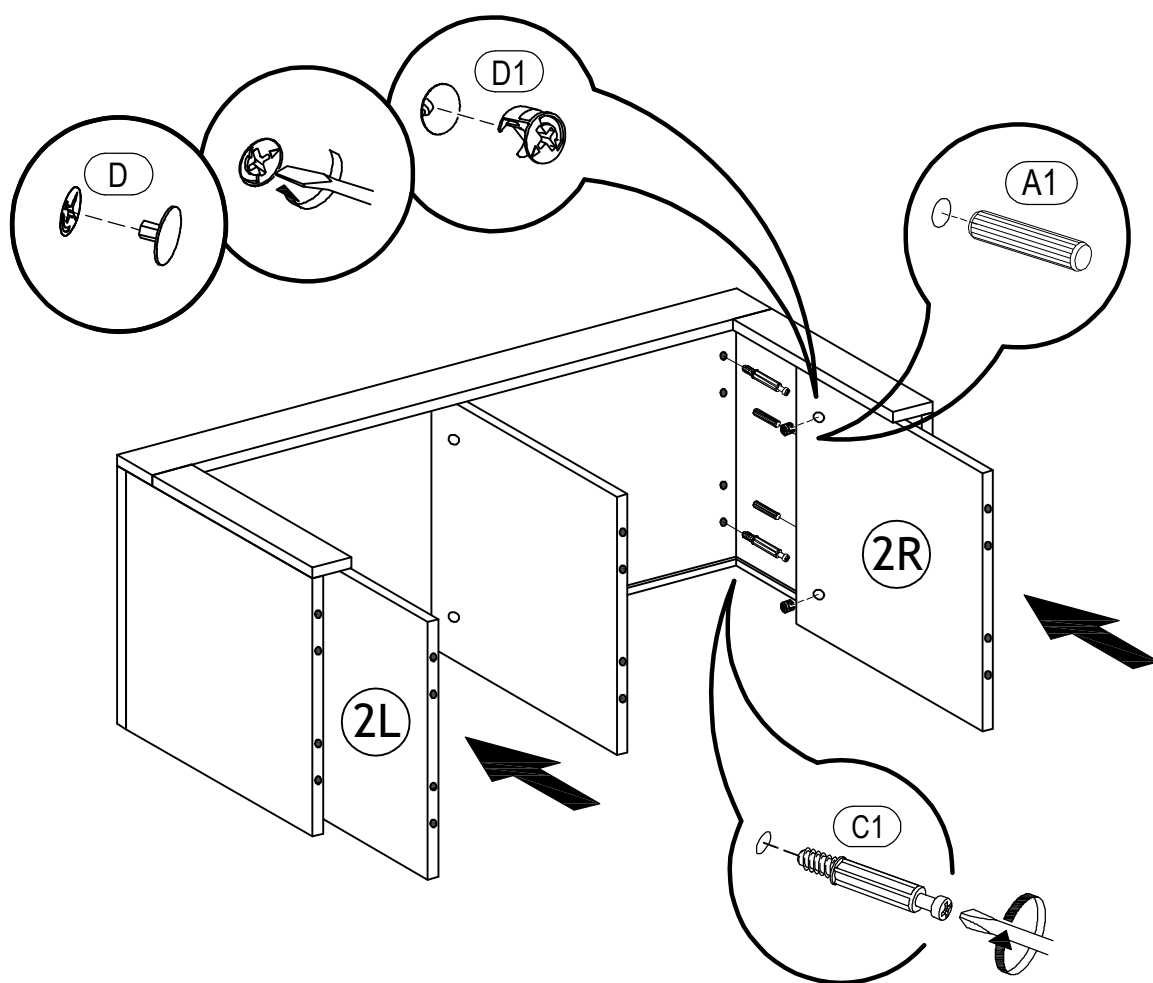


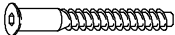


 <p>(S13) x8</p>	 <p>(E11) 4*16mm x16</p>	 <p>(L3) x2</p>
 <p>(E11) 4*16mm x4</p>		

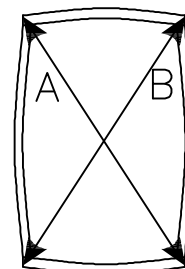
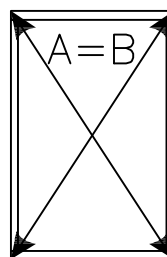
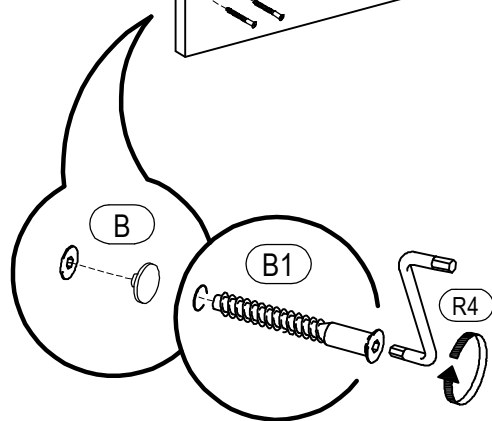
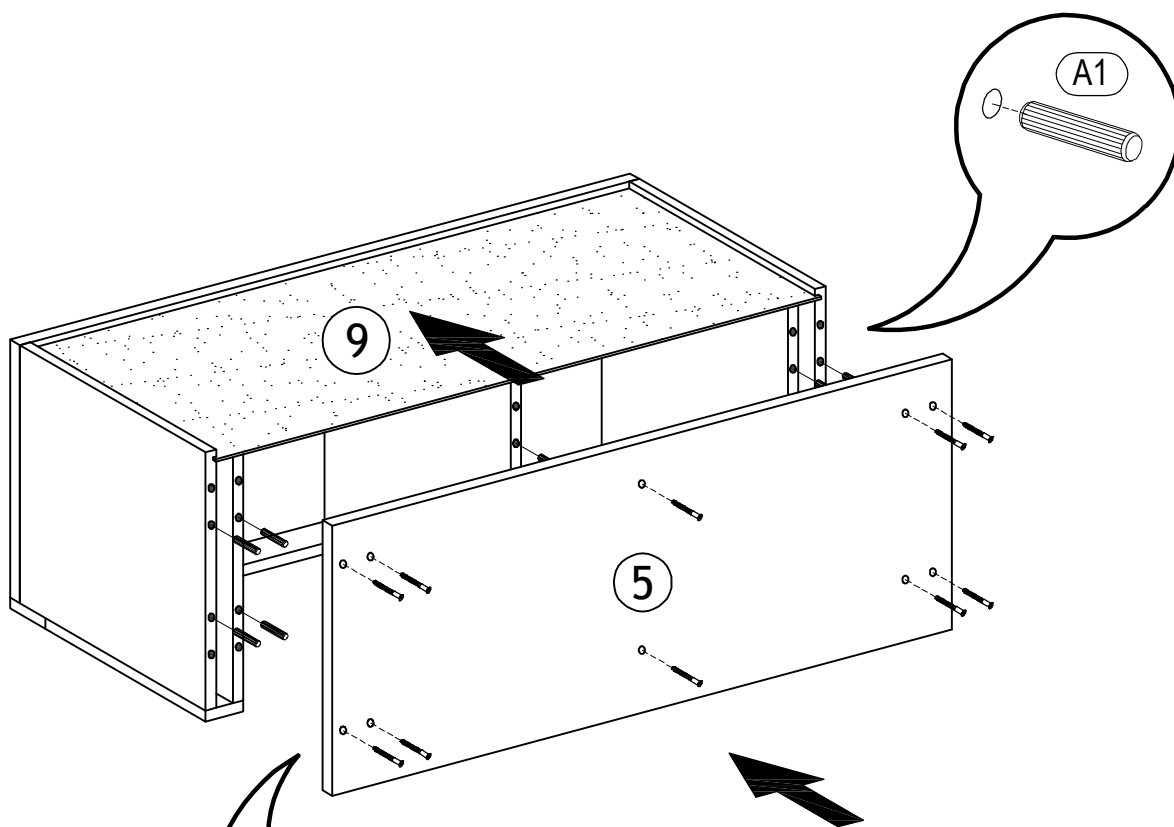



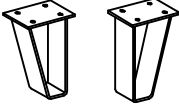

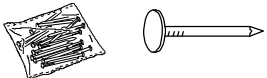


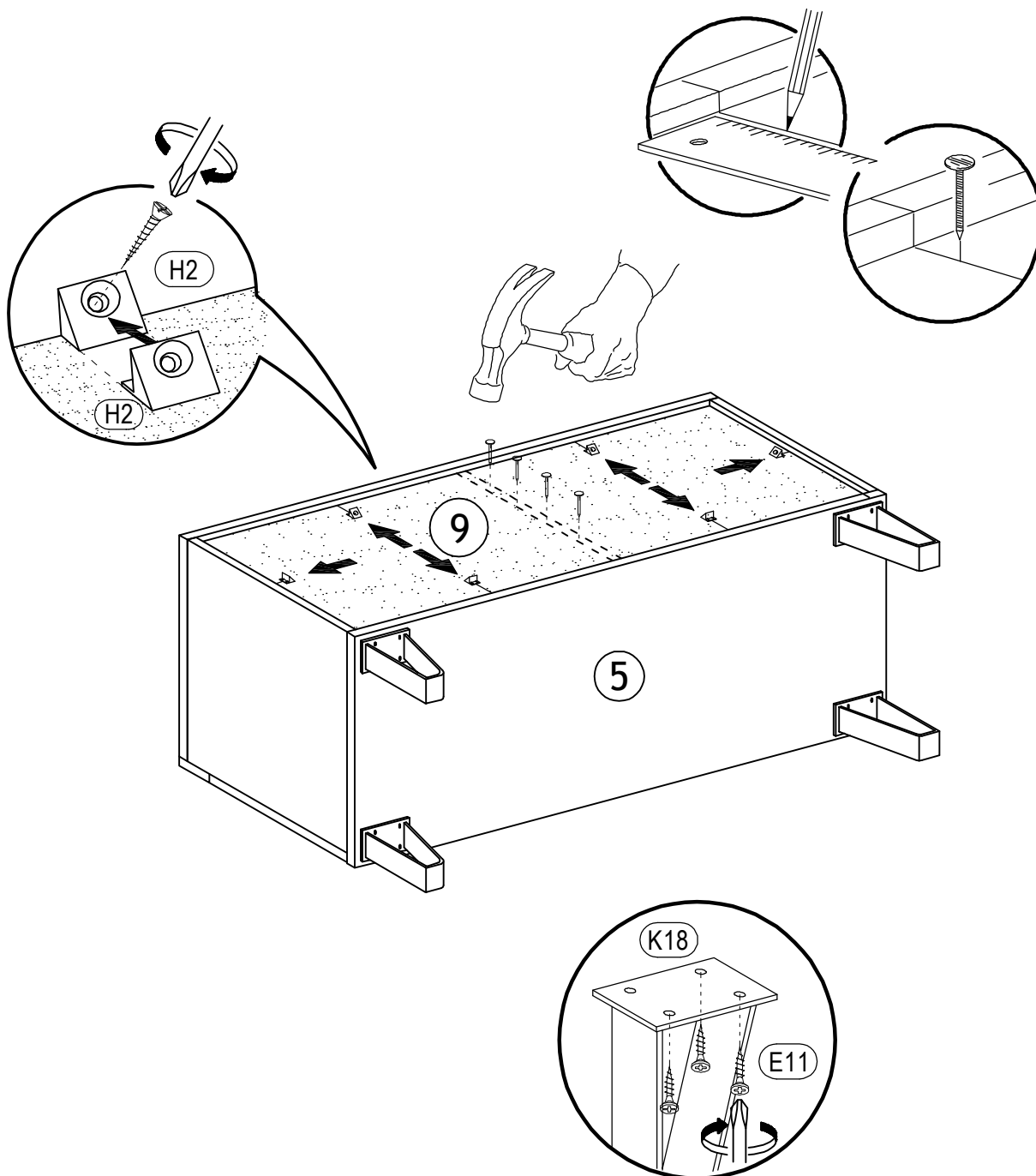
 (C1) 6*43mm x4	 (A1) 8*30mm x4	 (D1) 15/16 x4
 (D) ϕ 20mm x4		

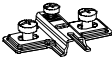


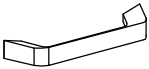
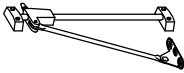




 B1 6,3*50mm x10	 B ϕ 12mm x10	 A1 8*30mm x10
---	---	---



 <p>(H2) x6</p>	 <p>(K18) H-120mm x4</p>	 <p>(E11) 4*16mm x16</p>
 <p>(R3) 1.4*25mm 10g</p>		



 <p>(L3) x2</p>	 <p>(F2) 6,3*13mm x4</p>	 <p>(E13) 4*35mm x2</p>
 <p>(I23) x1</p>	 <p>(N4) L x1</p>	 <p>(E4) 3*20mm x4</p>
 <p>(E5) 3,5*16 x3</p>		

