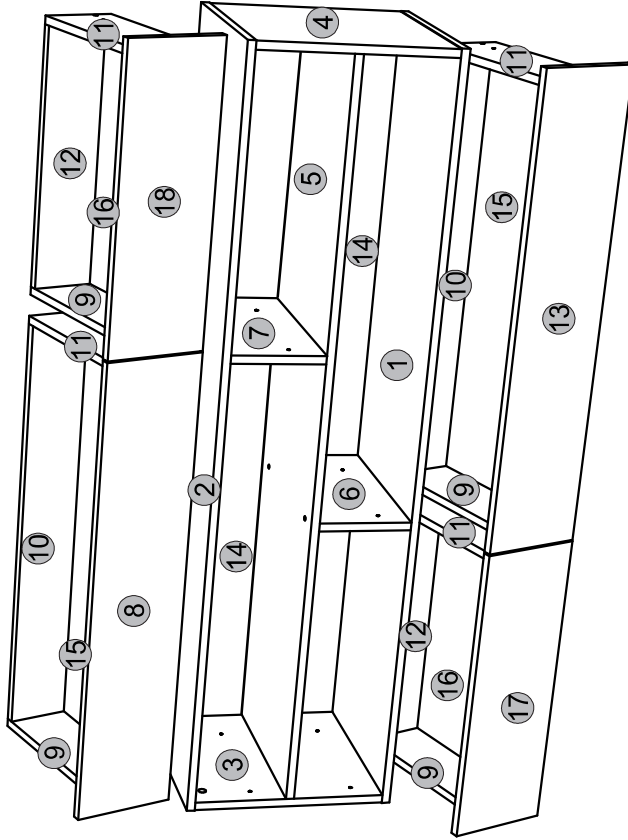
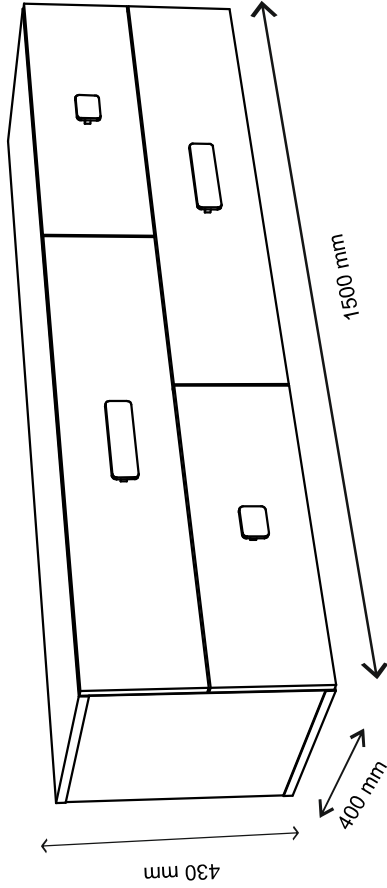
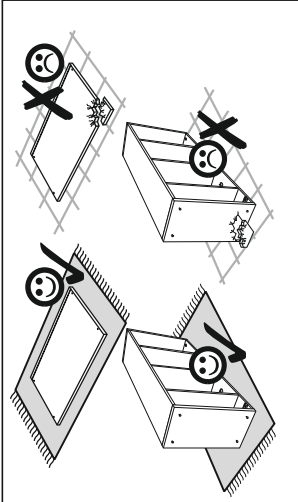
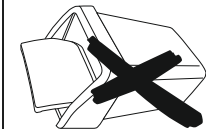
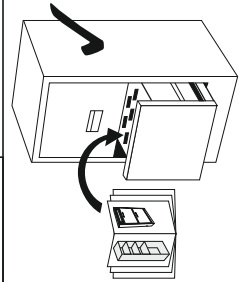
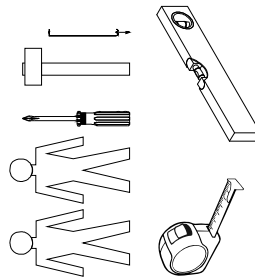
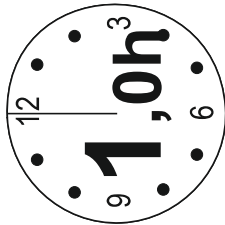
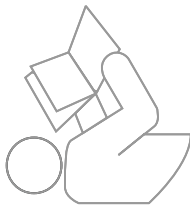


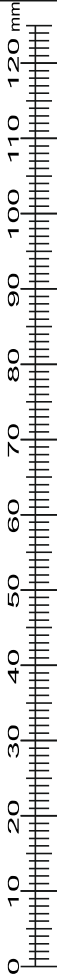
Instalation manual

PUMP: Chest 4S

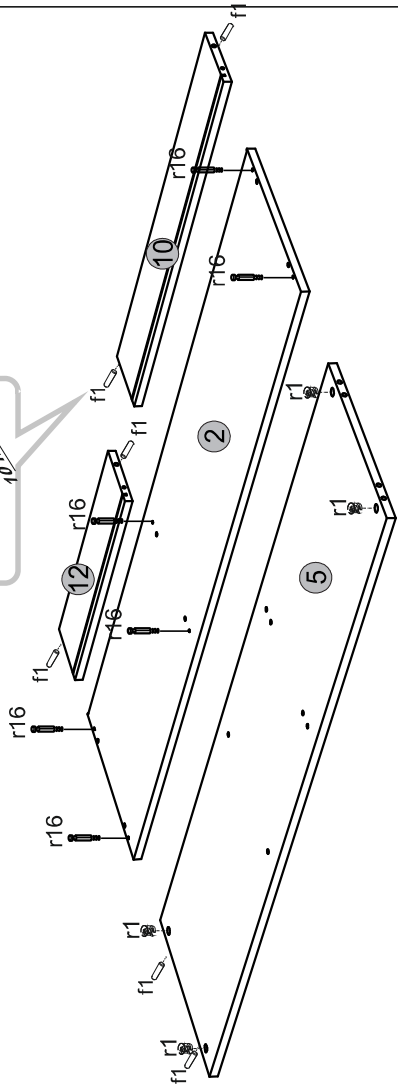
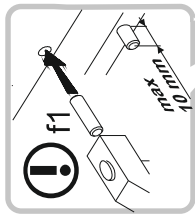


Element symbol	Dimensions			Code	Package
1	1500	384	16	KOM_4S.005	1/1
2	1500	384	16	KOM_4S.006	1/1
3	378	384	16	KOM_4S.007	1/1
4	378	384	16	KOM_4S.008	1/1
5	1466	381	16	KOM_4S.009	1/1
6	181	381	16	KOM_4S.010	1/1
7	181	381	16	KOM_4S.011	1/1
8	202	912	16	KOM_4S.012	2/2
9	350	140	16	KOM_4S.013	1/1
10	832	140	16	KOM_4S.014	1/1
11	350	140	16	KOM_4S.015	1/1
12	502	140	16	KOM_4S.016	1/1
13	202	912	16	KOM_4S.017	2/2
14	198	1484	3	KOM_4S.002	1/1
15	846	348	3	KOM_4S.003	1/1
16	516	348	3	KOM_4S.004	1/1
17	582	202	16	KOM_4S.018	2/2
18	582	202	16	KOM_4S.019	2/2

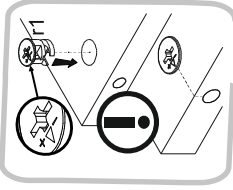
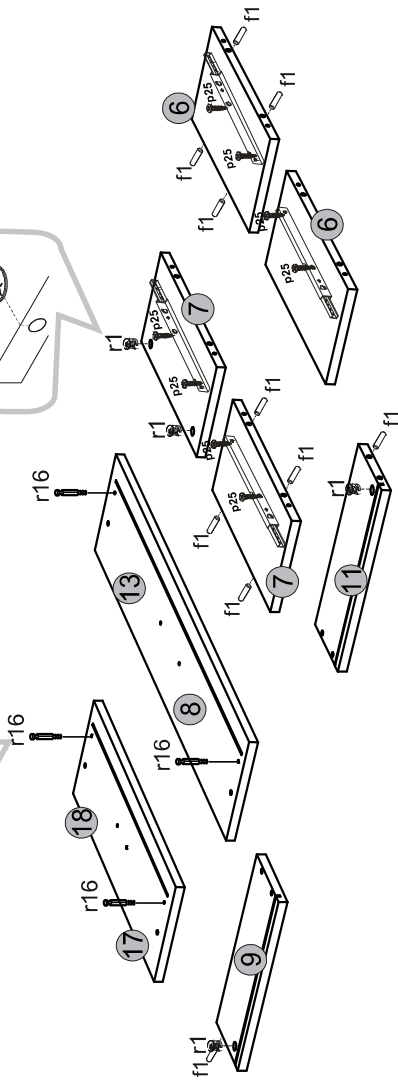
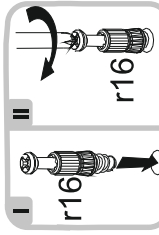
36x	6x	10x	48x	4x	18x	18x	18x	1x
ø6x10 mm	60x	ø4x15 mm	ø3.5x16 mm	L-350 50mm	ø15x1.2mm ø16	ø15x1.2mm ø16	ø7x.0 mm	1x50 D1.007
f1	l1	p18	p25	r16	r1	s2	s1	y1
c6k330/32	c6k330/128	p42	p18	r16	r1	s2	s1	y1
2x	2x	8x	10x	5x	18x	18x	18x	1x
c6k330/32	c6k330/128	ø3.5x22 mm	ø4x15 mm	K311.05	ø16	ø15x1.2mm ø16	ø7x.0 mm	1x50 D1.007



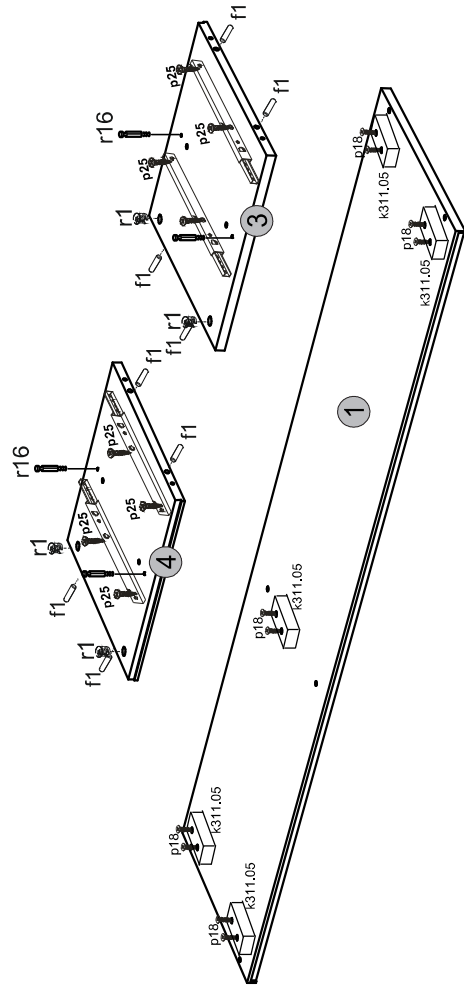
1



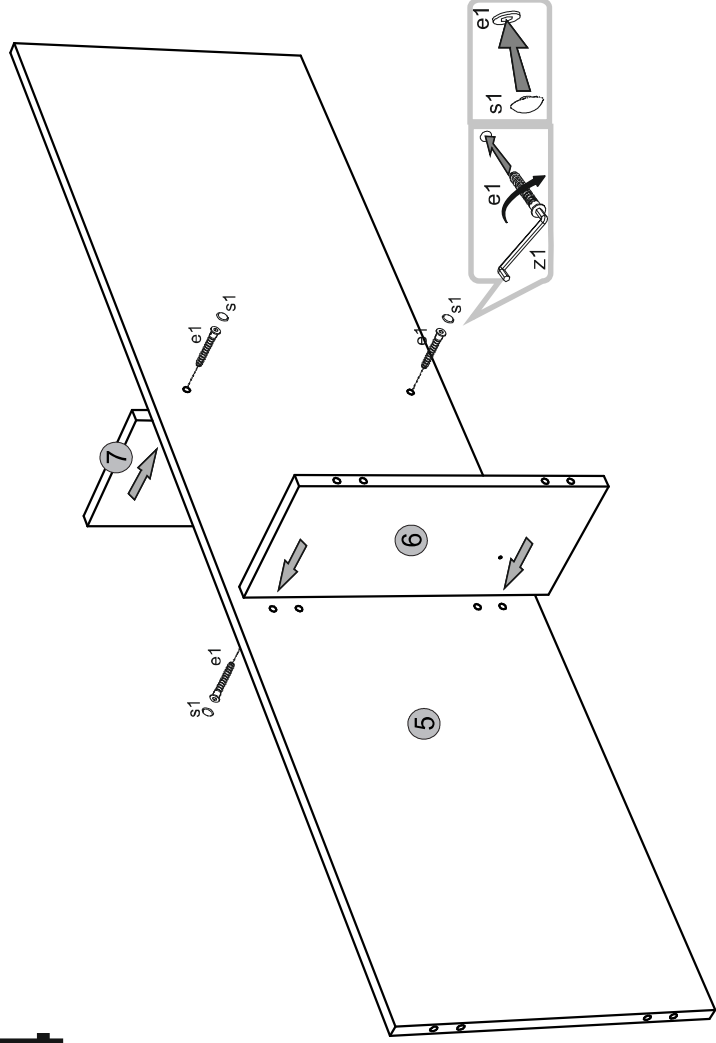
3



2

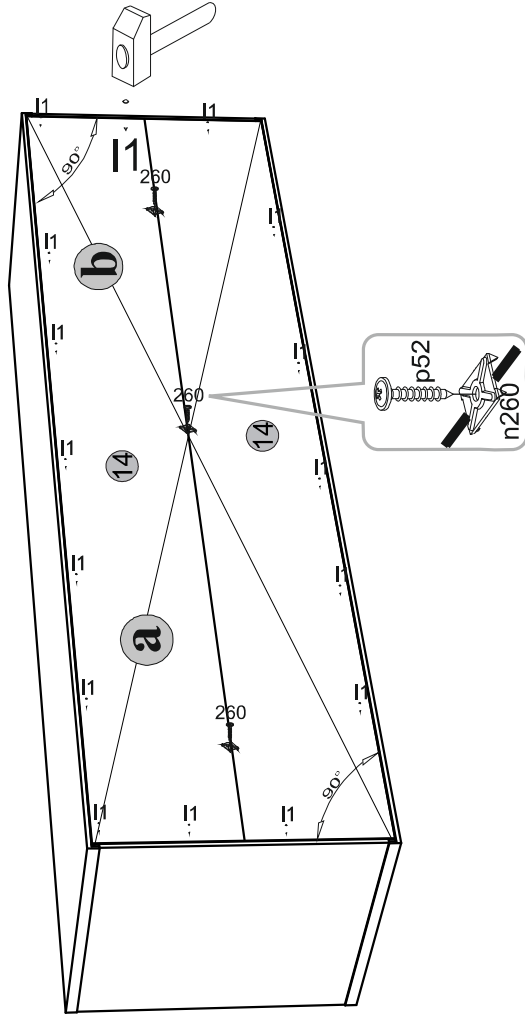


4

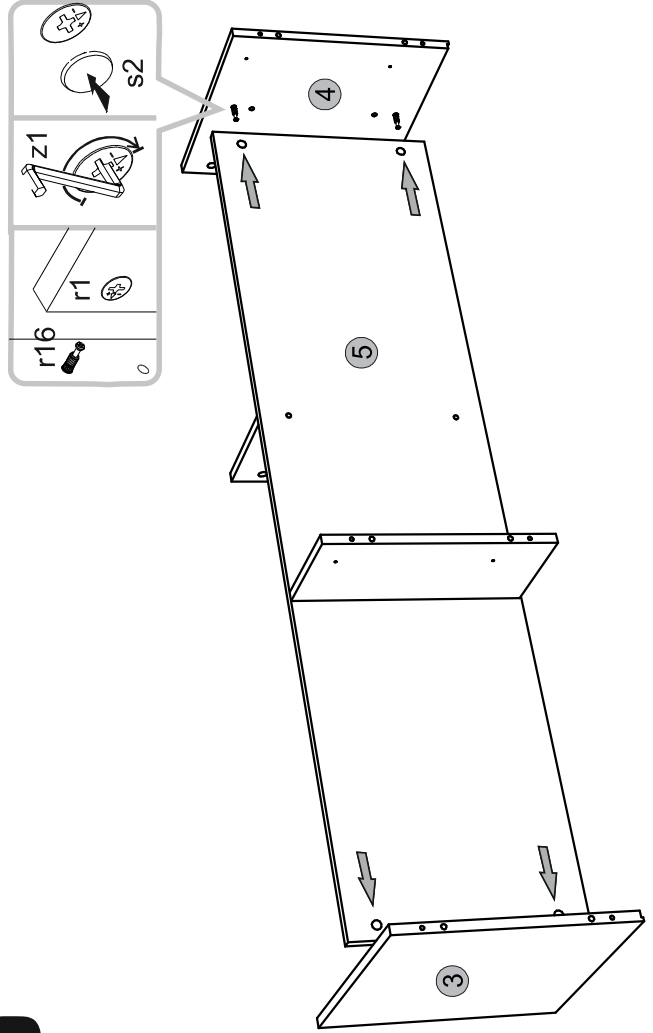


7

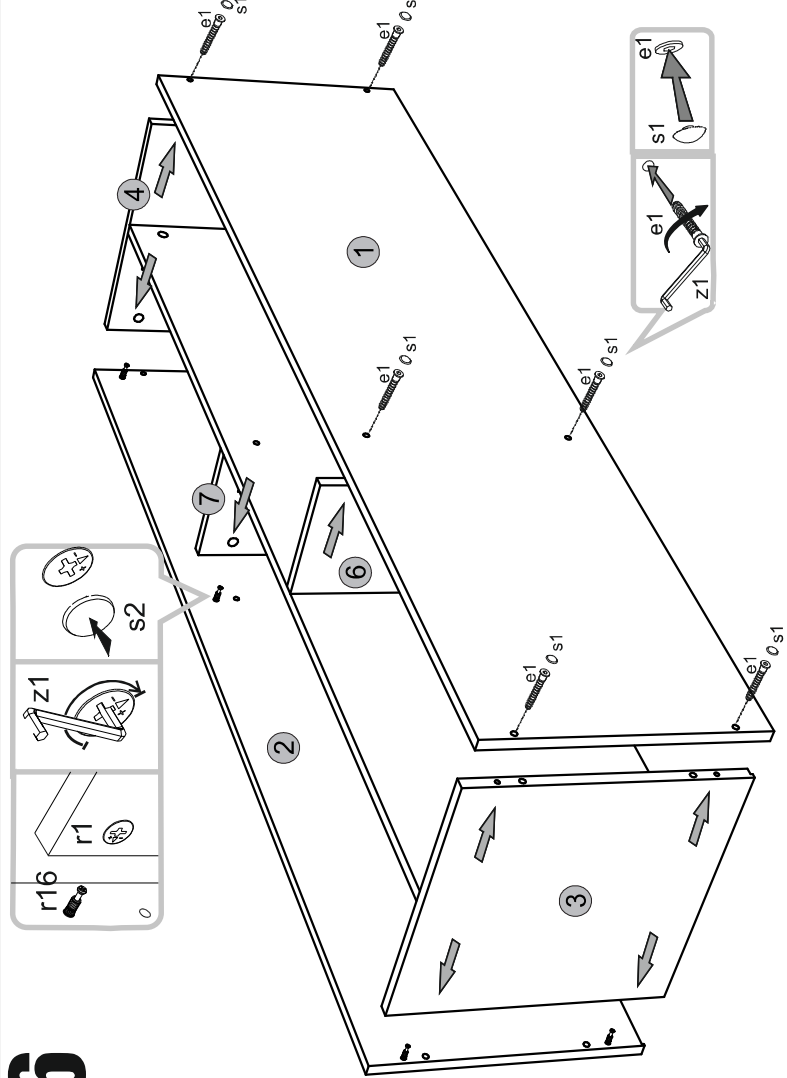
! a=b

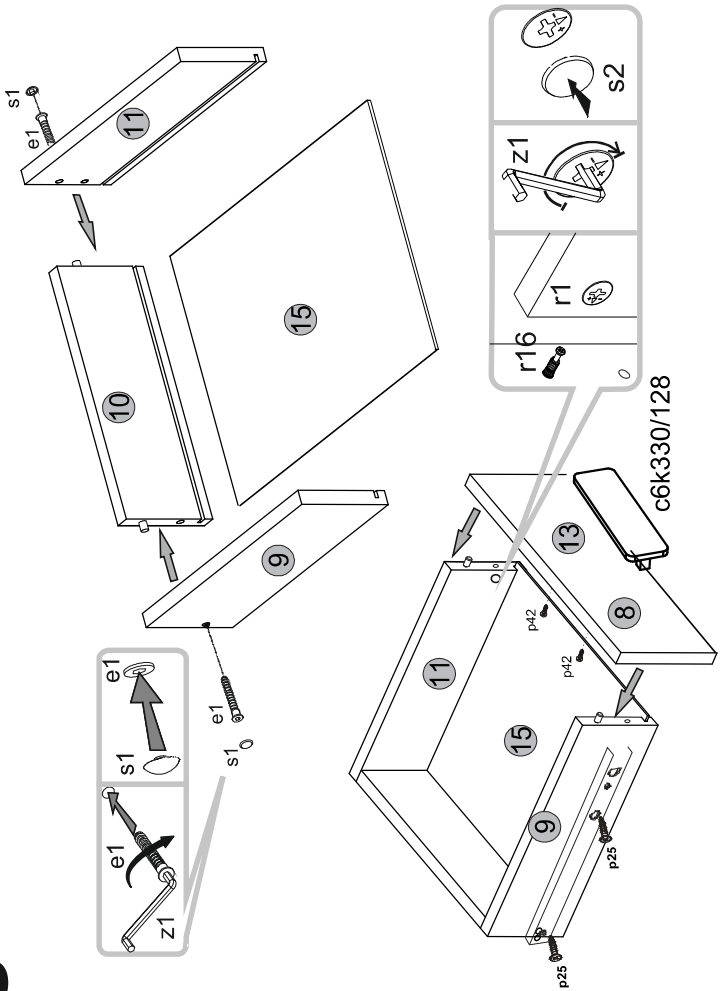


5

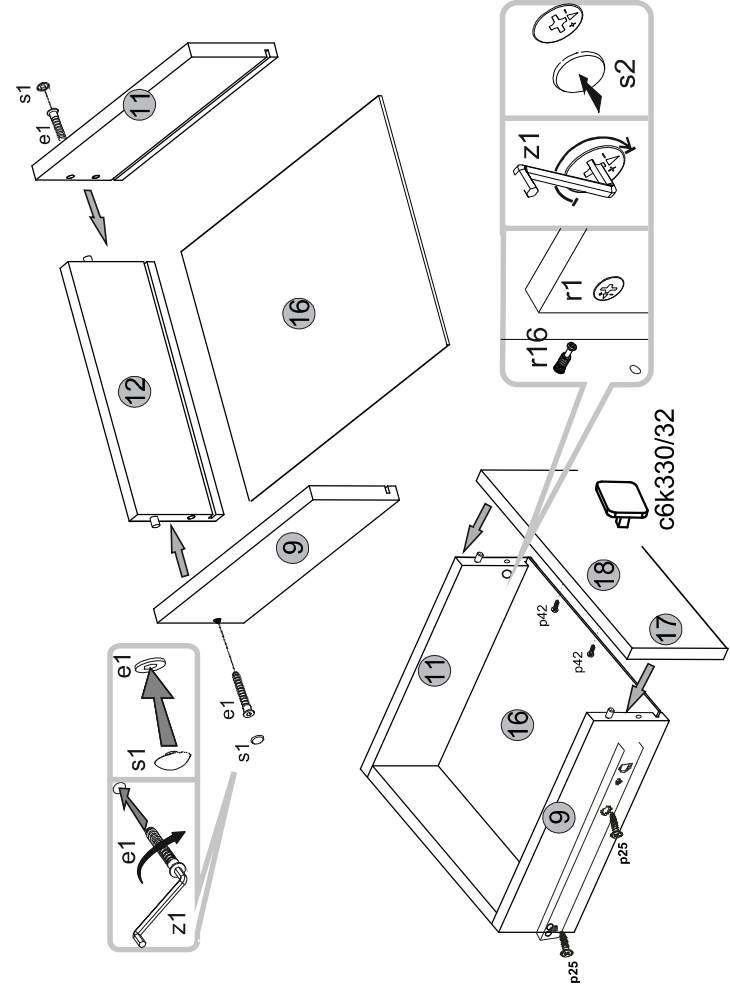


6





c6k330/128



c6k330/32

